



US00D673668S

(12) **United States Design Patent**
Lingenfelter

(10) **Patent No.:** **US D673,668 S**
(45) **Date of Patent:** **** Jan. 1, 2013**

(54) **VENTILATOR CHANNEL**
(75) **Inventor:** **Thomas Lingenfelter**, Huntington Beach, CA (US)
(73) **Assignee:** **No-Fade Coatings, Inc.**, Garden Grove, CA (US)
(**) **Term:** **14 Years**

6,161,310 A 12/2000 Tuggle et al.
D478,972 S * 8/2003 Hunter D23/365
6,843,274 B1 1/2005 Angelico
6,889,443 B2 * 5/2005 Polk, Jr. 138/106
D556,315 S * 11/2007 Jackson et al. D23/393
7,467,645 B2 12/2008 Angelico
D615,631 S * 5/2010 Price et al. D23/263
D625,799 S * 10/2010 Salisbury et al. D23/370
D652,904 S * 1/2012 Sisk D23/365
8,091,926 B2 * 1/2012 Hofmann et al. 285/424

(21) **Appl. No.:** **29/355,181**
(22) **Filed:** **Feb. 3, 2010**

FOREIGN PATENT DOCUMENTS

DE 966378 8/1957
EP 0376425 7/1990

(51) **LOC (9) Cl.** **23-04**
(52) **U.S. Cl.** **D23/393**
(58) **Field of Classification Search** D23/386-393,
D23/370, 365, 399, 499, 263, 342, 371; 454/309,
454/275-277, 284, 287-291, 358-363; 52/302.1,
52/32.07; 285/229, 189, 183, 123.1, 15,
285/114, 110, 424, 197; 138/39, 106
See application file for complete search history.

* cited by examiner

Primary Examiner — David Muller
(74) *Attorney, Agent, or Firm* — Cislo & Thomas, LLP

(57) **CLAIM**
The ornamental design for a ventilator channel, as shown and described.

(56) **References Cited**

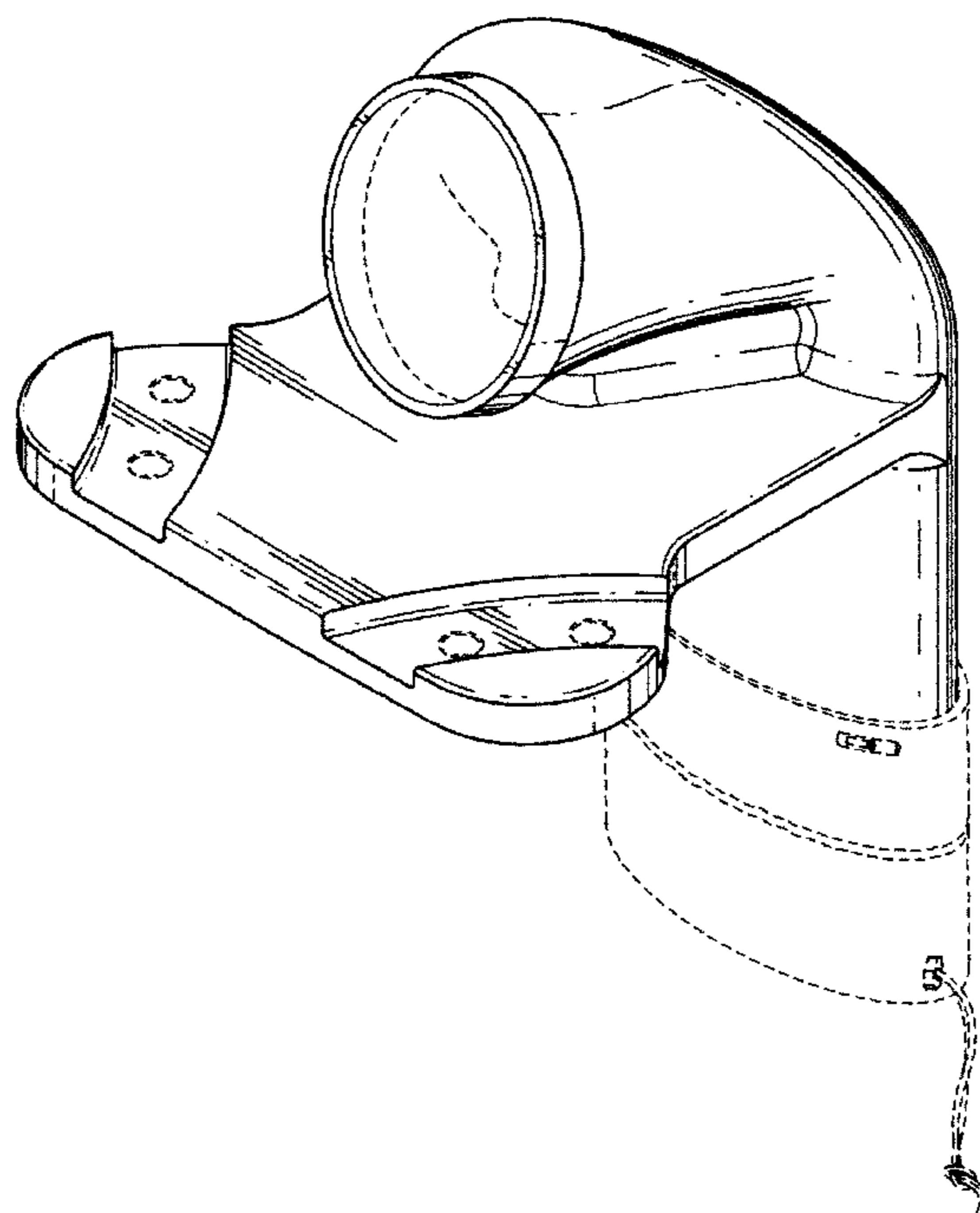
DESCRIPTION

U.S. PATENT DOCUMENTS

3,610,524 A 10/1971 Wallen
3,920,271 A * 11/1975 Bluestone 285/183
4,285,269 A 8/1981 Pelsue et al.
D264,500 S * 5/1982 Beaton D23/342
D274,749 S * 7/1984 Petermen D23/370
D283,248 S * 4/1986 Clark D23/371
4,794,956 A 1/1989 Gordon et al.
4,982,653 A 1/1991 Gordon et al.
D315,949 S * 4/1991 Sello D23/393
D342,130 S 12/1993 Anderson et al.
5,716,271 A 2/1998 Paidosh
D397,202 S * 8/1998 Saar D23/393
6,053,215 A 4/2000 Sadr

FIG. 1 is a front perspective view of the ventilator channel.
FIG. 2 is a rear perspective view of the ventilator channel.
FIG. 3 is a front view of the ventilator channel.
FIG. 4 is a right side view of the ventilator channel.
FIG. 5 is a rear view of the ventilator channel.
FIG. 6 is a left side view of the ventilator channel.
FIG. 7 is a top view of the ventilator channel.
FIG. 8 is a bottom view of the ventilator channel; and,
FIG. 9 is a bottom view of the ventilator channel without the broken line portions of FIG. 8.
The features shown in broken lines depict environmental subject matter only and form no part of the claimed design.

1 Claim, 9 Drawing Sheets



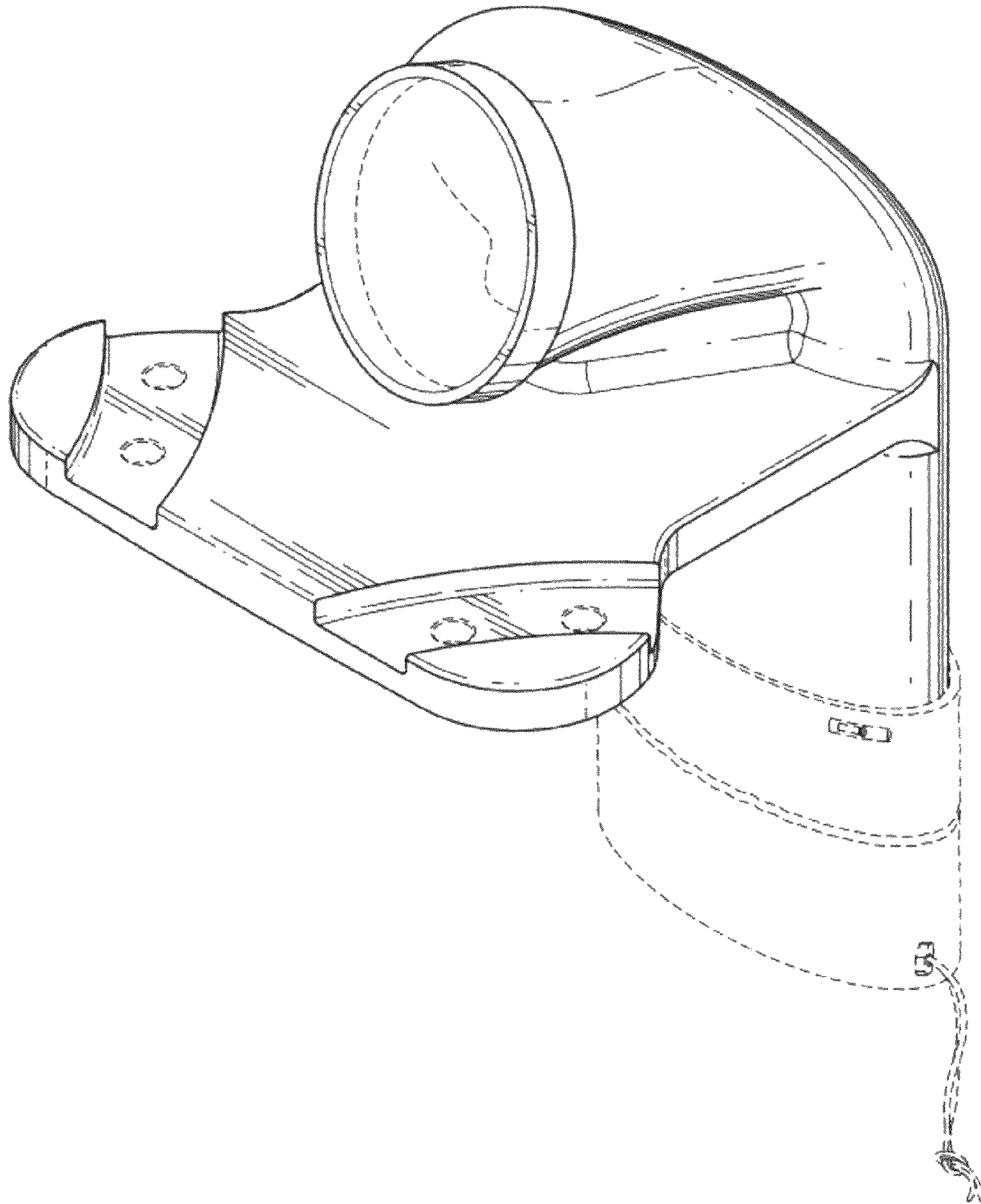


FIG. 1

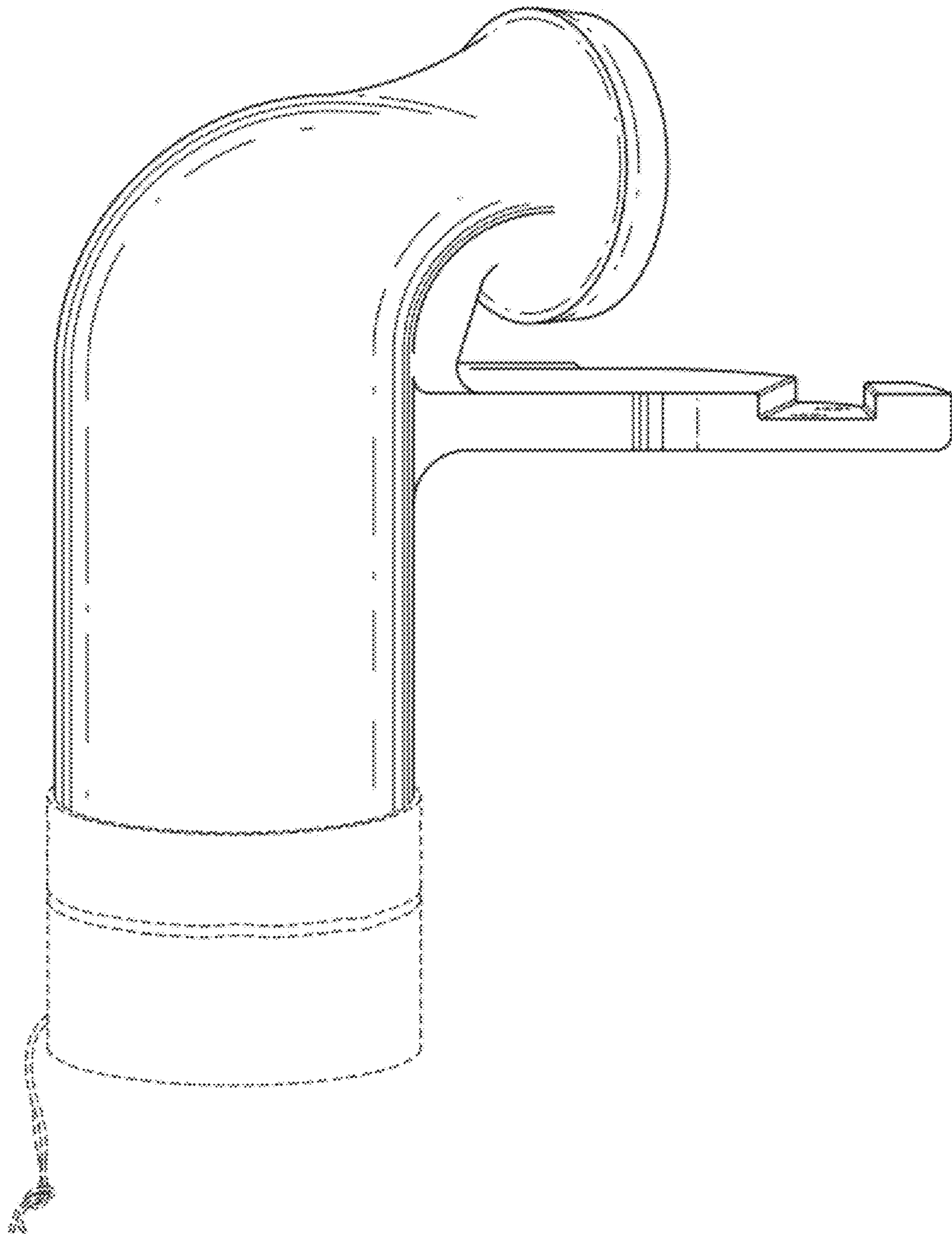


FIG. 2

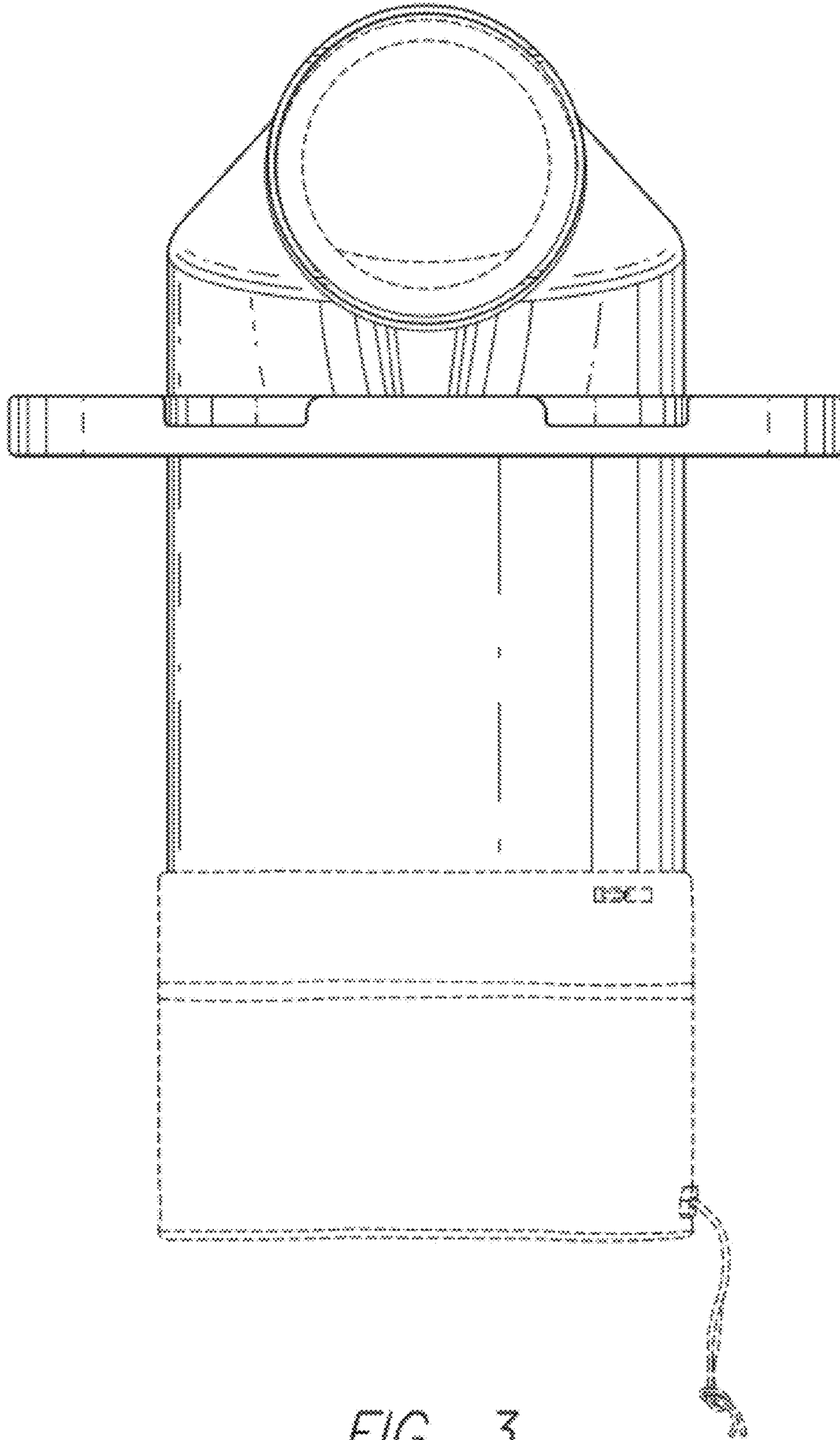


FIG. 3

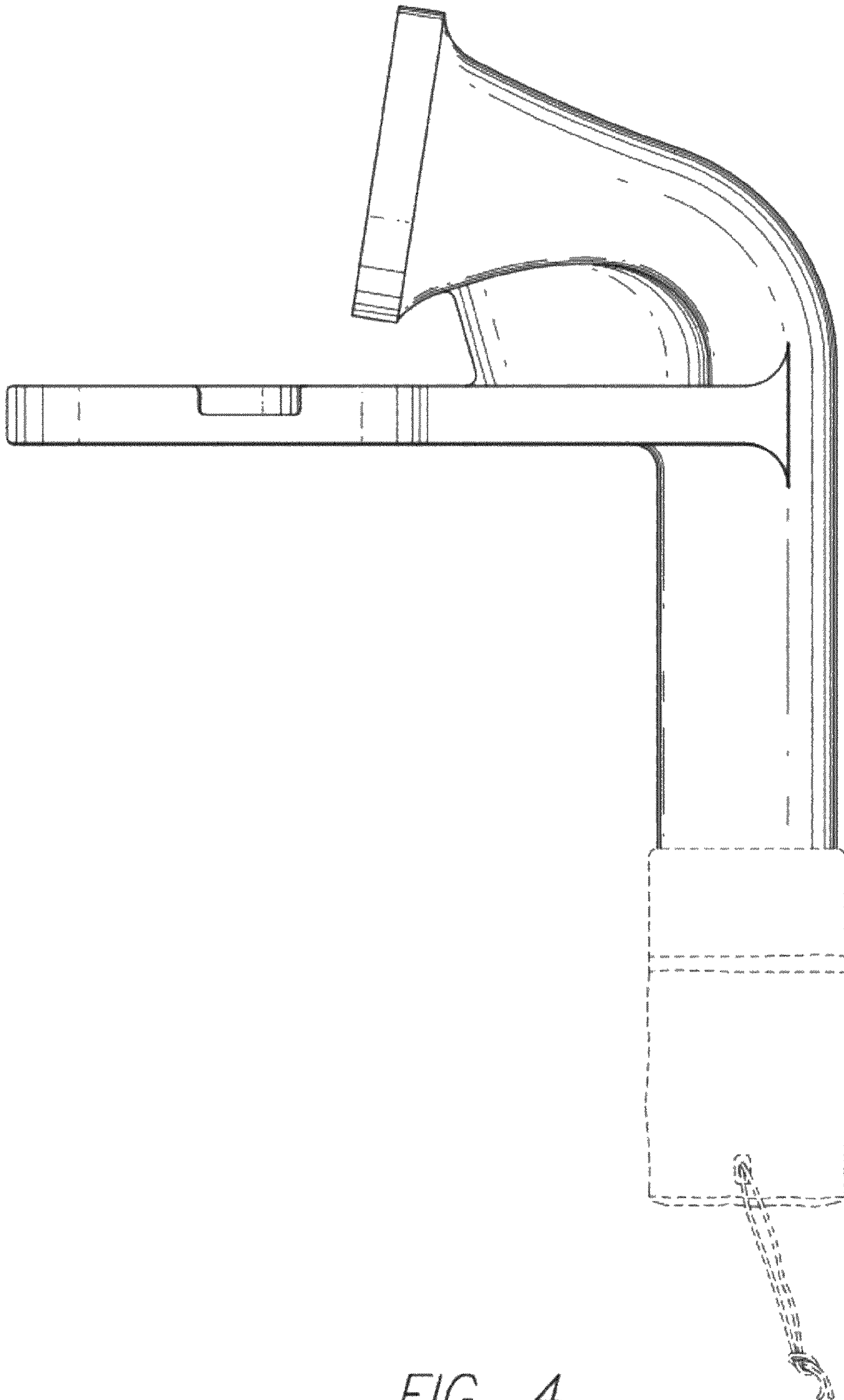


FIG. 4

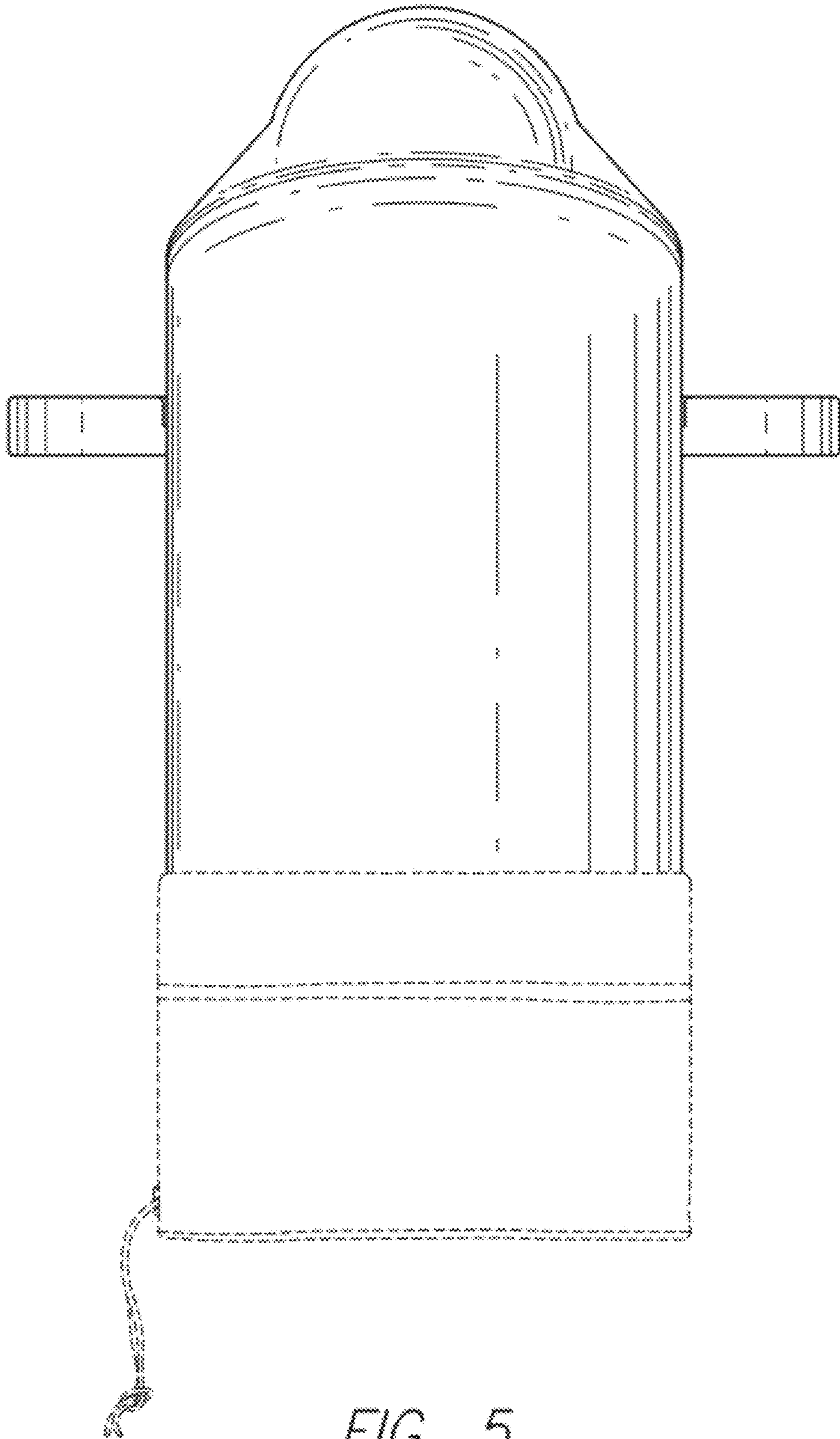
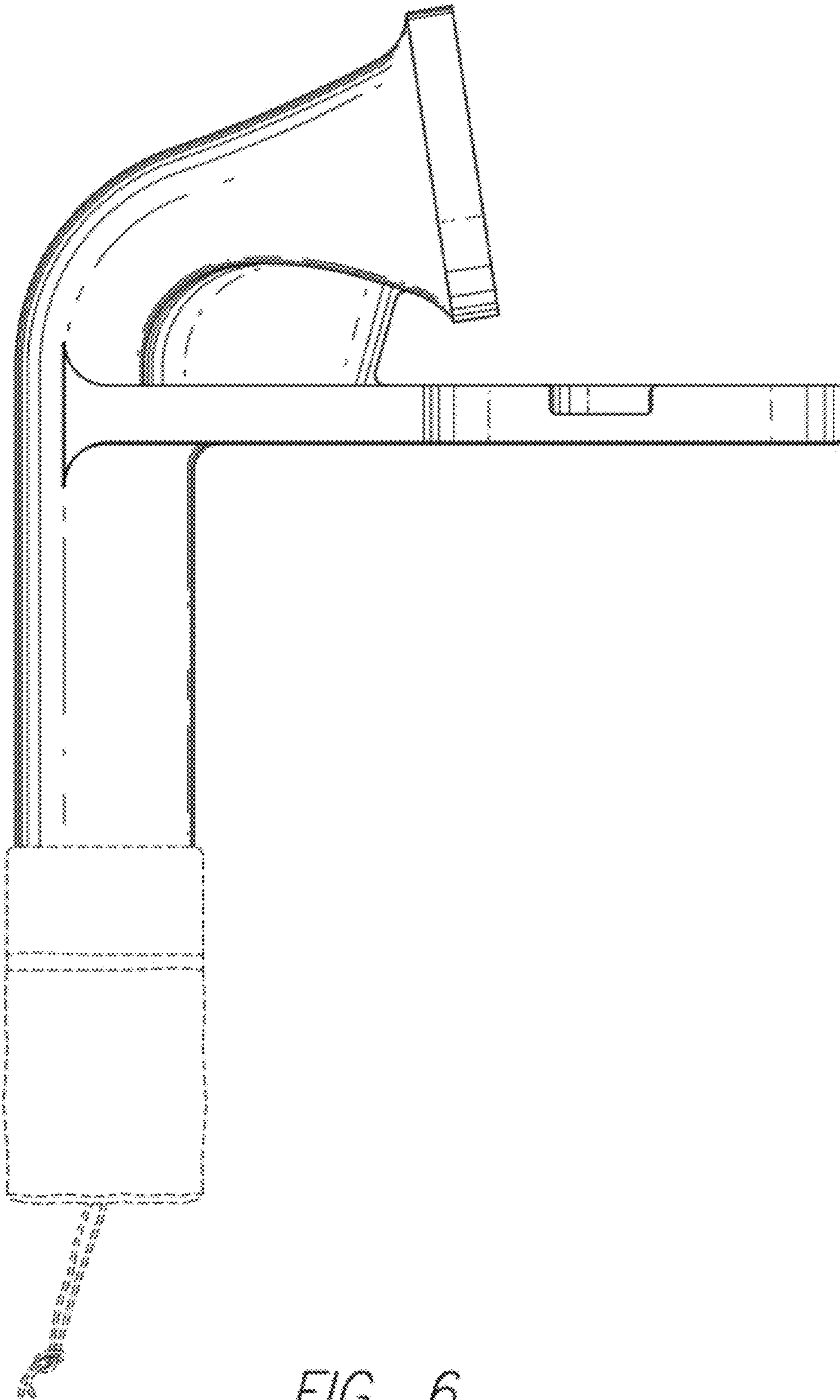


FIG. 5



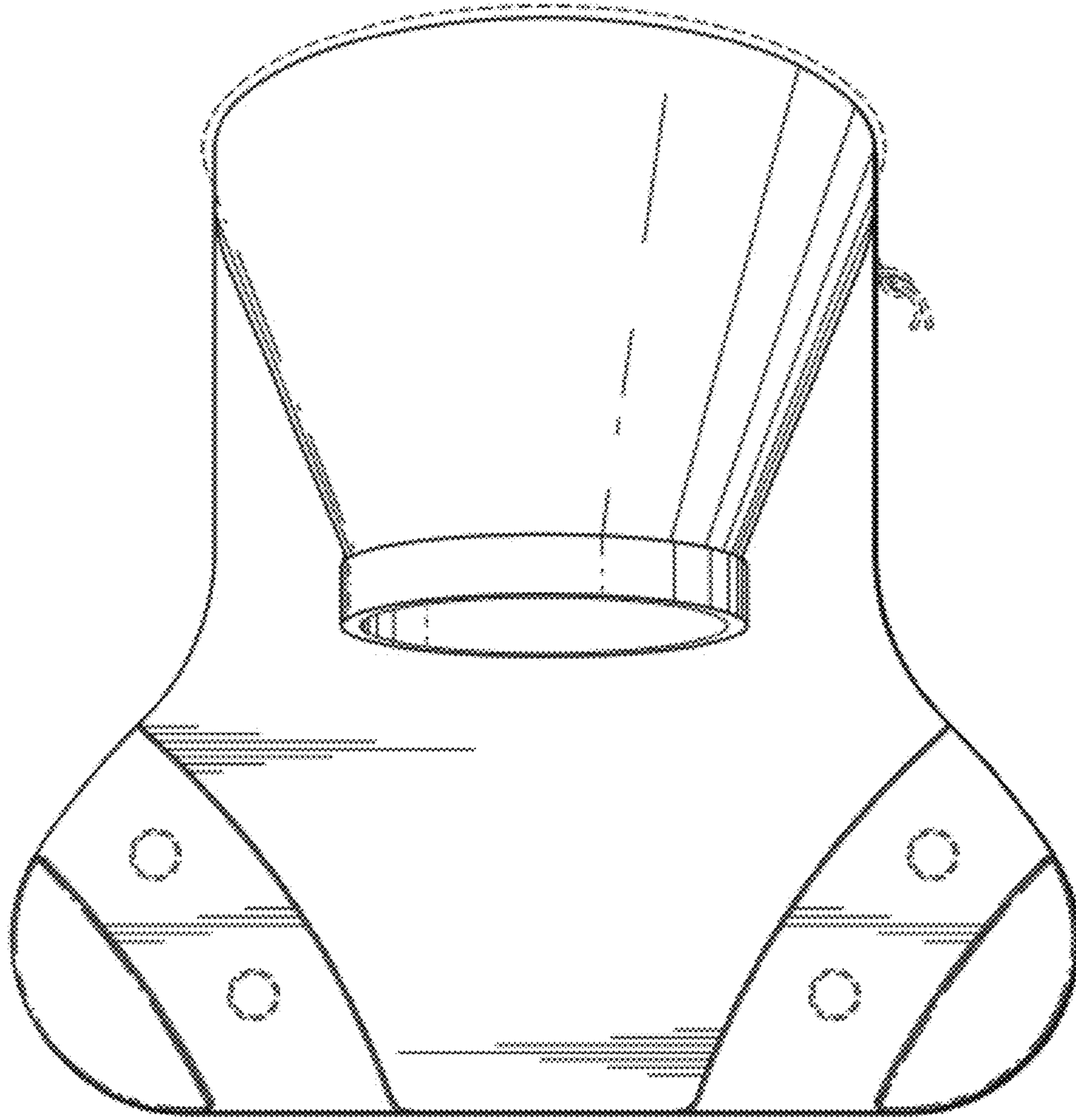


FIG. 7

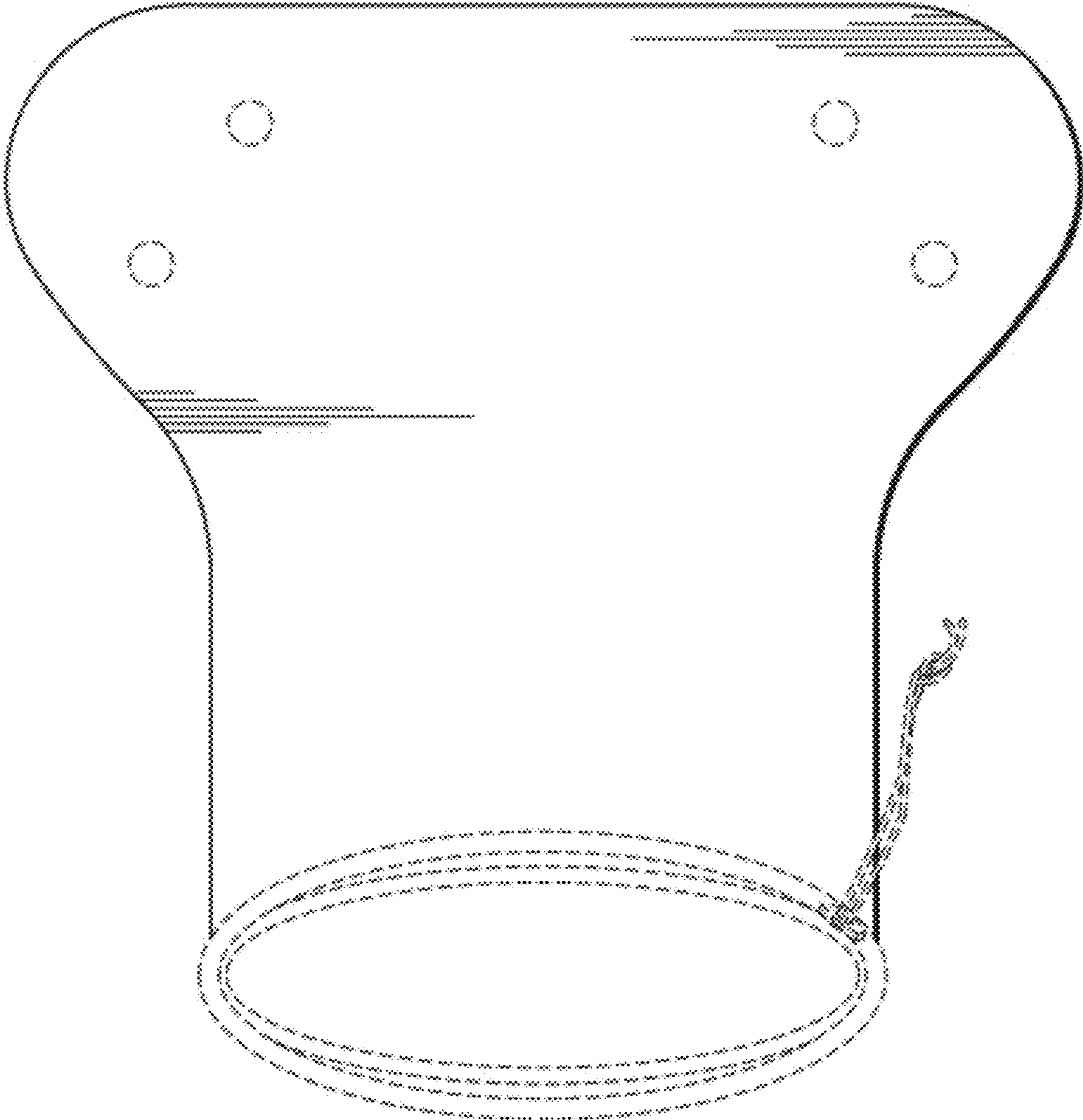


FIG. 8

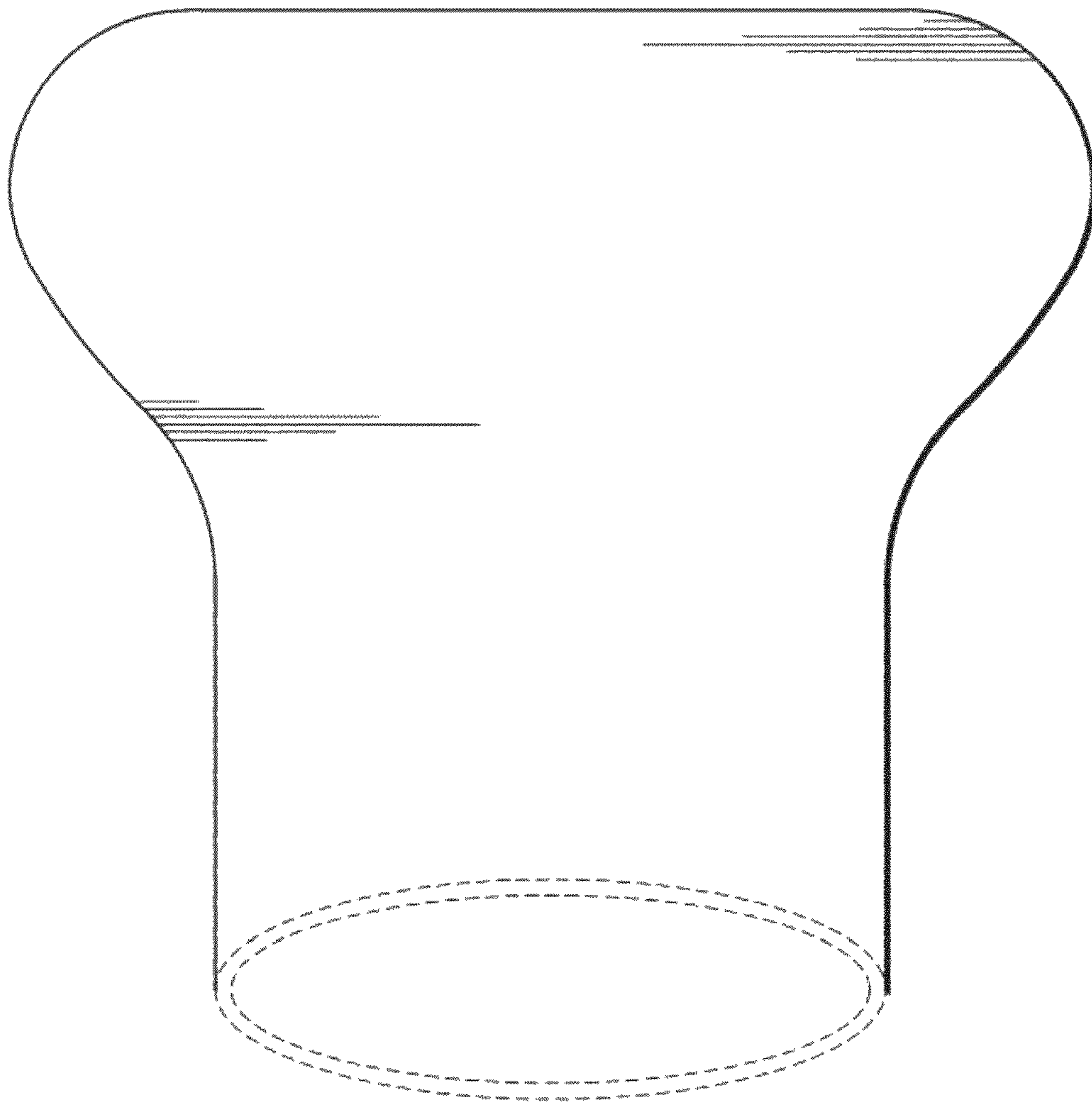


FIG. 9