



US00D673664S

(12) **United States Design Patent**
Kent et al.

(10) **Patent No.:** **US D673,664 S**
(45) **Date of Patent:** **** Jan. 1, 2013**

(54) **FIREBOX**

(75) Inventors: **Jason Kent**, Guelph (CA); **Douglas G. Greenway**, Guelph (CA)

(73) Assignee: **Greenway Home Products Ltd.**, Guelph, Ontario (CA)

(**) Term: **14 Years**

(21) Appl. No.: **29/426,017**

(22) Filed: **Jun. 29, 2012**

Related U.S. Application Data

(62) Division of application No. 29/395,223, filed on Dec. 20, 2011.

(51) **LOC (9) Cl.** **23-03**

(52) **U.S. Cl.** **D23/343**

(58) **Field of Classification Search** D23/342,
D23/351, 355, 378, 370, 381, 364, 336, 341,
D23/343, 344; 126/547, 92 AC, 92 B, 91 R,
126/200

See application file for complete search history.

(56) **References Cited**

U.S. PATENT DOCUMENTS

D264,497 S *	5/1982	Morande, Jr.	D23/344
D301,610 S *	6/1989	Craver	D23/344
D390,936 S *	2/1998	French et al.	D23/350
D591,409 S *	4/2009	Kashimoto	D23/351
D591,410 S *	4/2009	Kashimoto	D23/351
7,726,299 B2 *	6/2010	Reyher	126/512
D638,922 S *	5/2011	Zhou	D23/344
D658,750 S *	5/2012	Nemes	D23/344

* cited by examiner

Primary Examiner — Eric Goodman

(74) *Attorney, Agent, or Firm* — Norton Rose Canada LLP

(57) **CLAIM**

The ornamental design for a firebox, as shown and described.

DESCRIPTION

FIG. 1 is a front perspective view of a first embodiment of the firebox.

FIG. 2 is a back perspective view of FIG. 1.

FIG. 3 is a front plan view of FIG. 1.

FIG. 4 is a back plan view of FIG. 1.

FIG. 5 is a right plan view of FIG. 1.

FIG. 6 is a left plan view of FIG. 1.

FIG. 7 is a top plan view of FIG. 1.

FIG. 8 is a bottom plan view of FIG. 1.

FIG. 9 is a front perspective view of a second embodiment of the firebox.

FIG. 10 is a back perspective view of FIG. 9.

FIG. 11 is a front view of FIG. 9.

FIG. 12 is a back plan view of FIG. 9.

FIG. 13 is a right plan view of FIG. 9.

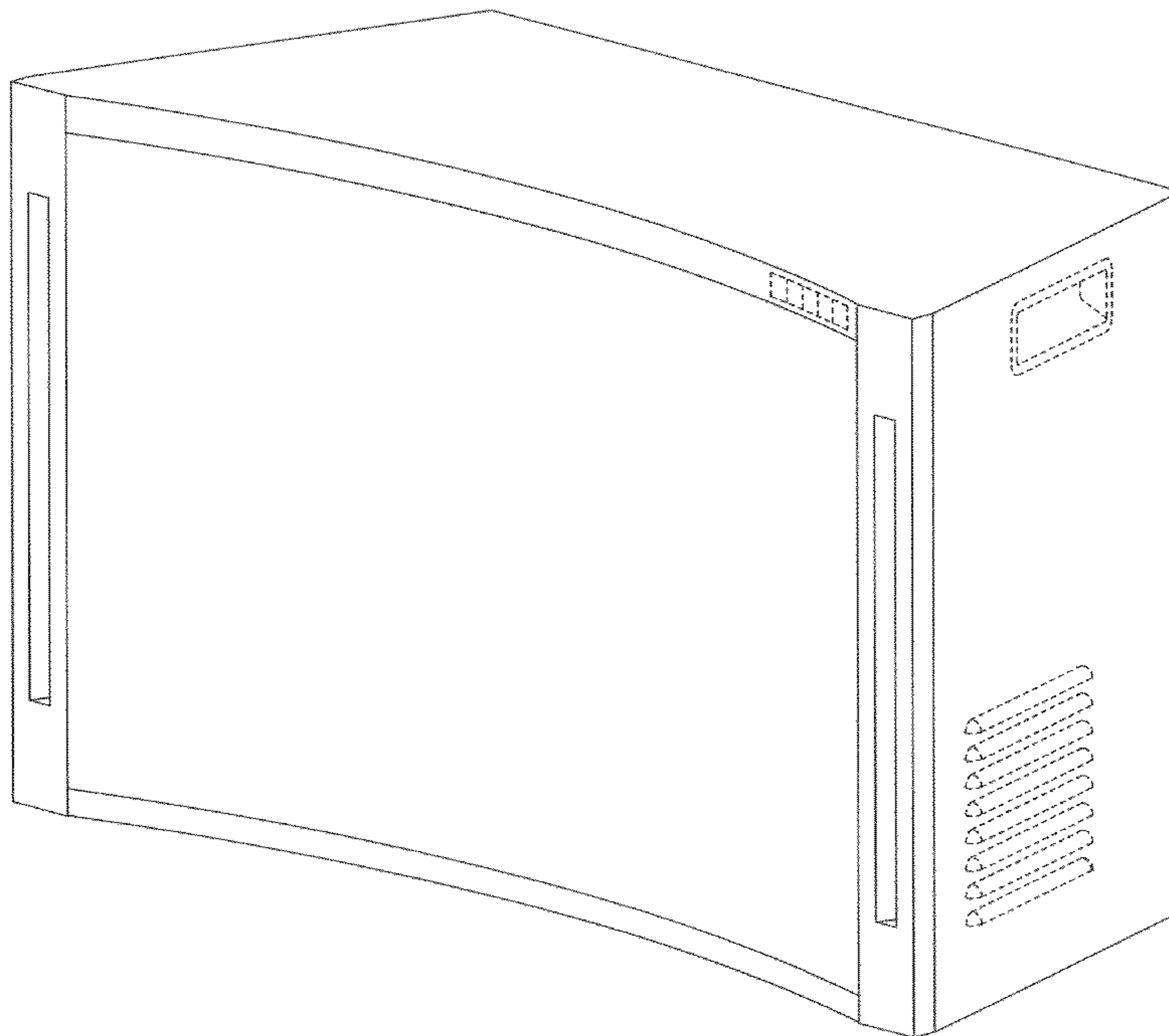
FIG. 14 is a left plan view of FIG. 9.

FIG. 15 is a top plan view of FIG. 9; and,

FIG. 16 is a bottom plan view of FIG. 9.

The broken line showing is included for the purpose of illustrating portions of the article and forms no part of the claimed design.

1 Claim, 16 Drawing Sheets



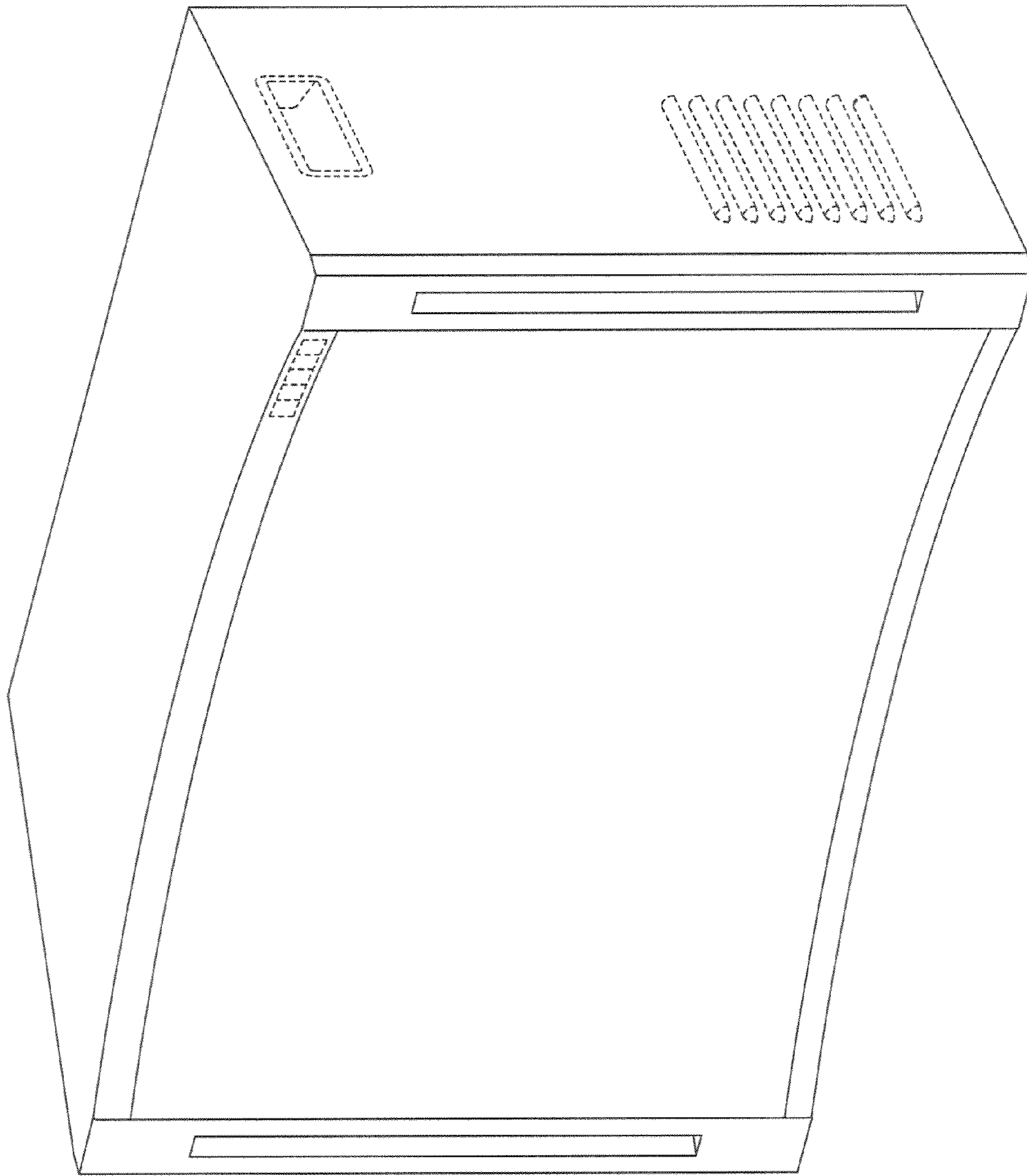


FIG.1

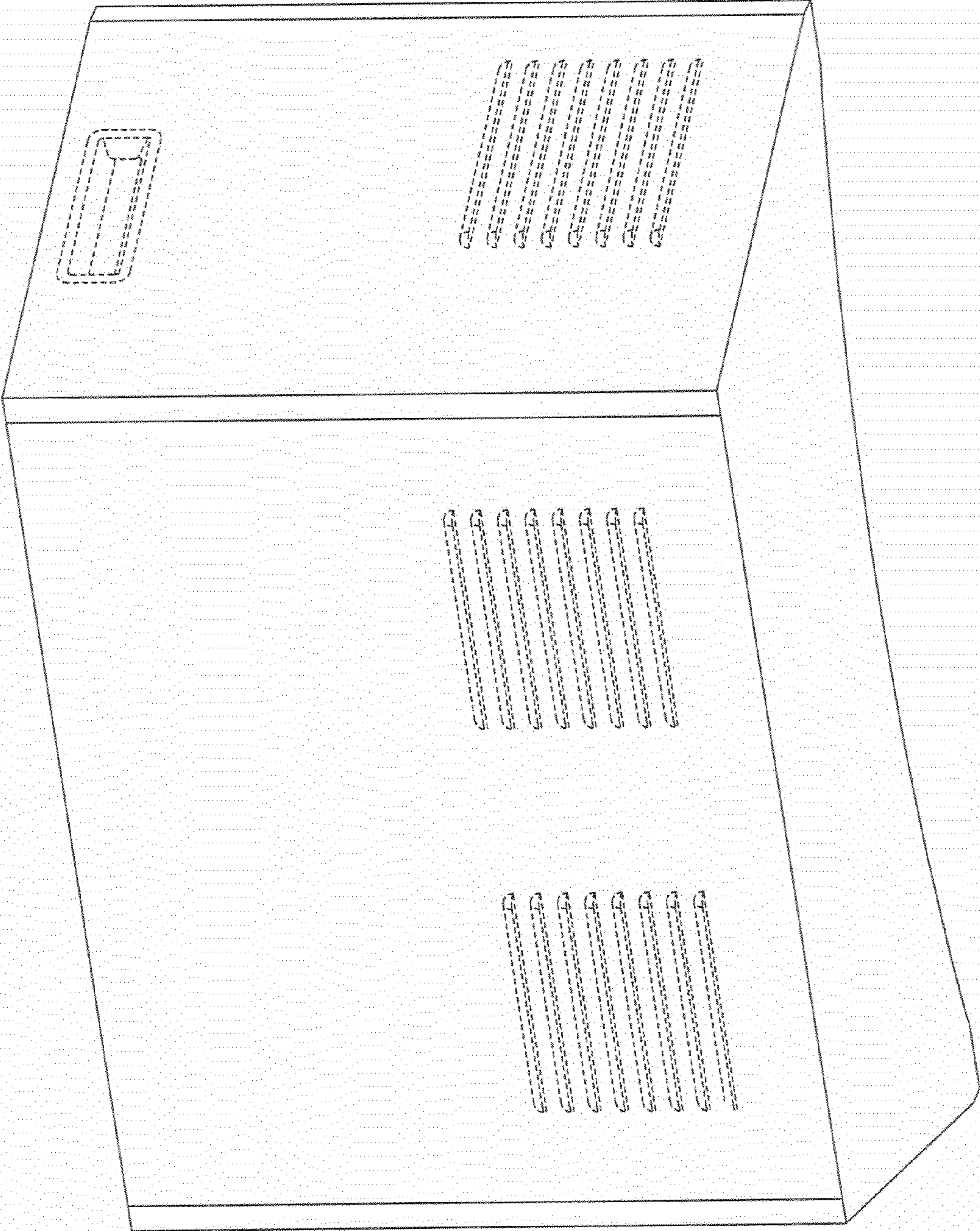


FIG. 2

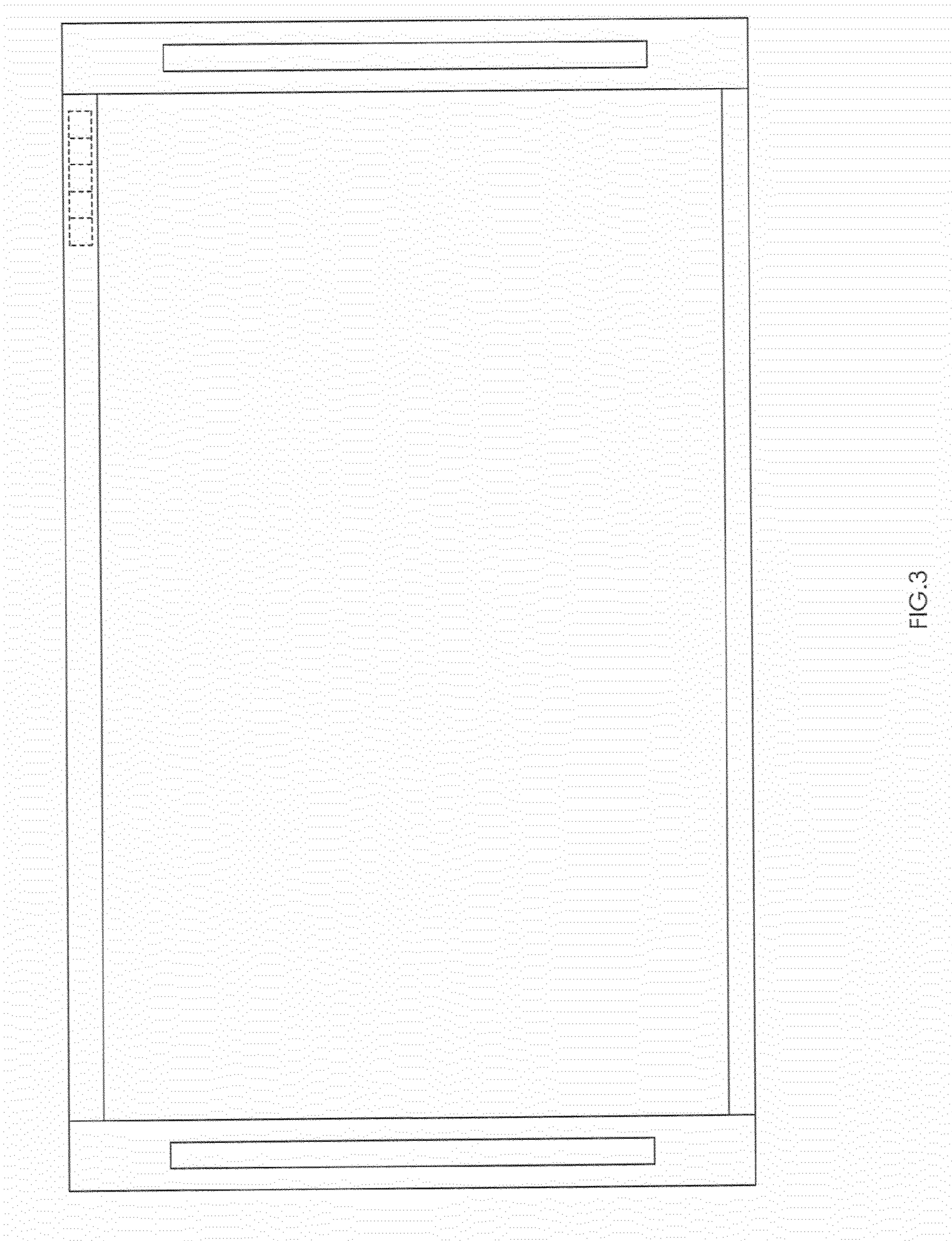


FIG. 3

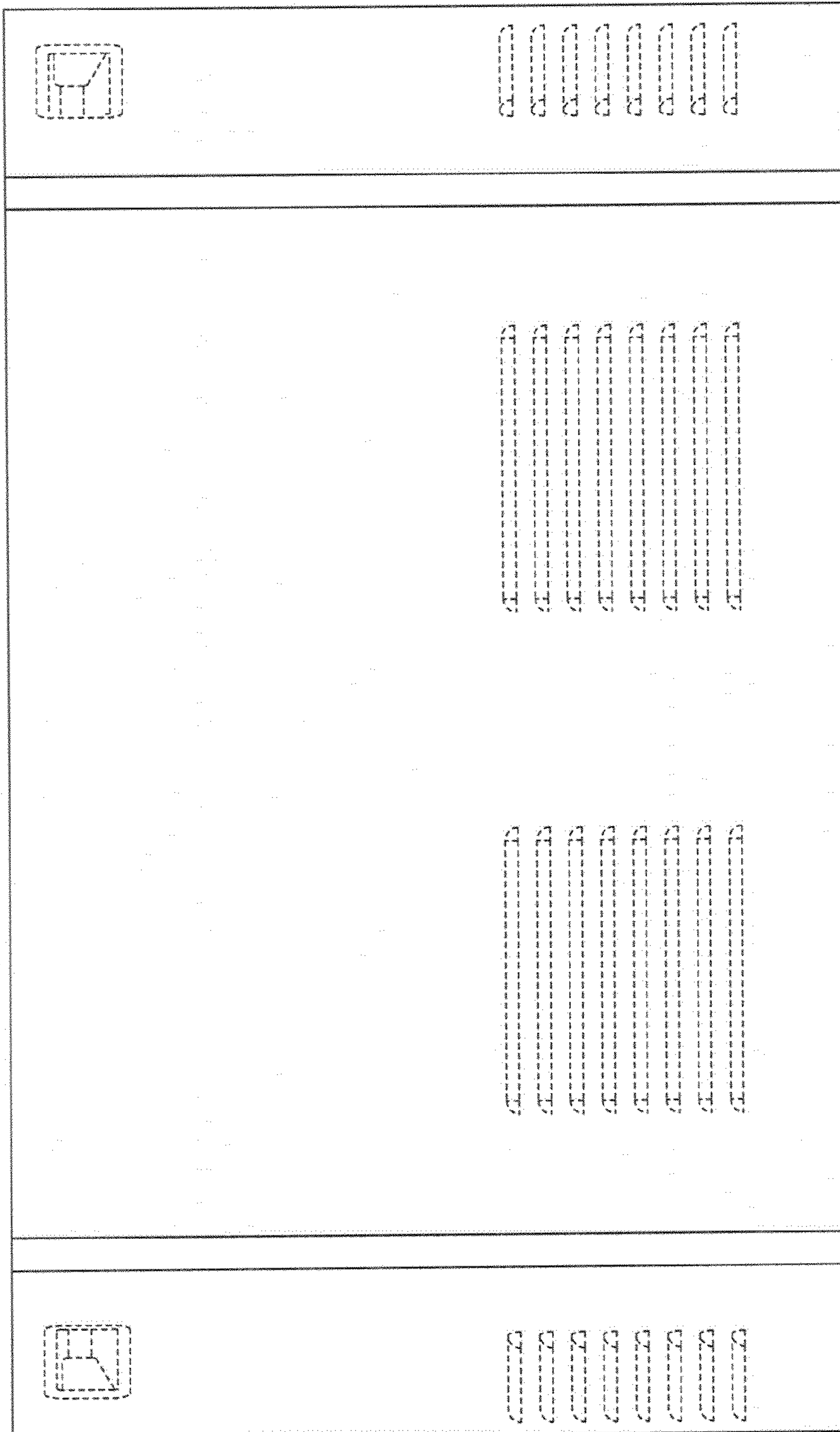


FIG. 4

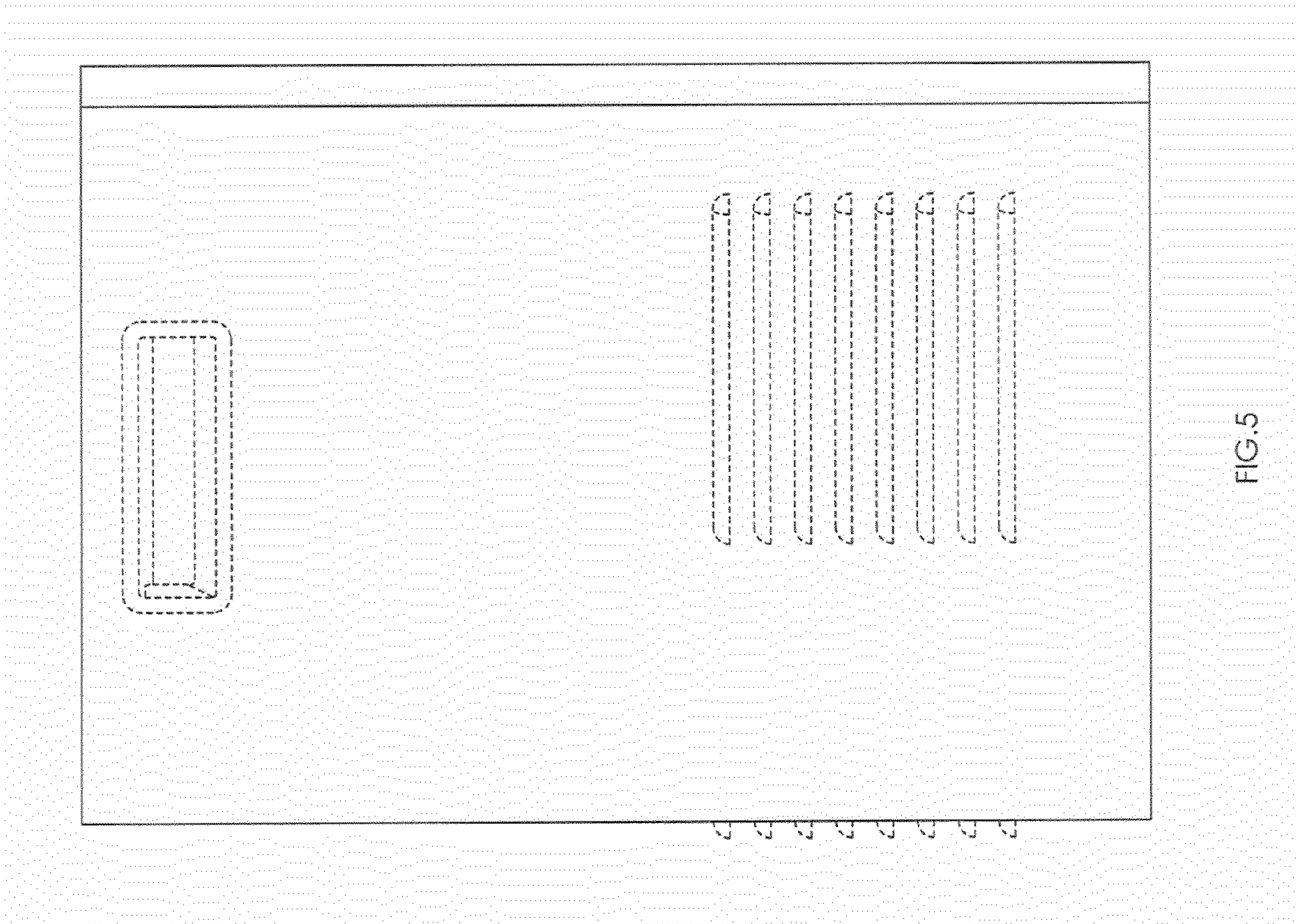
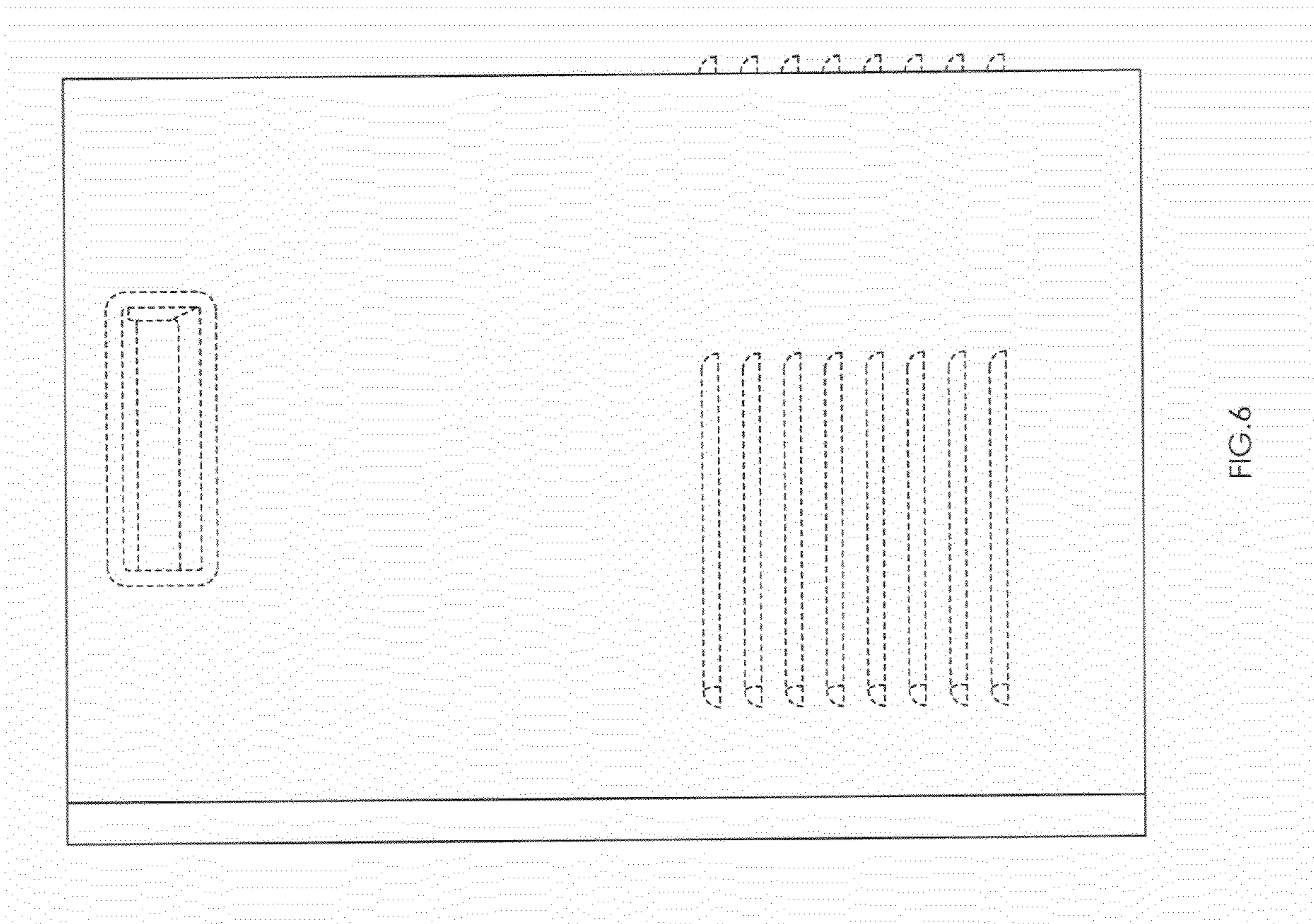


FIG. 5



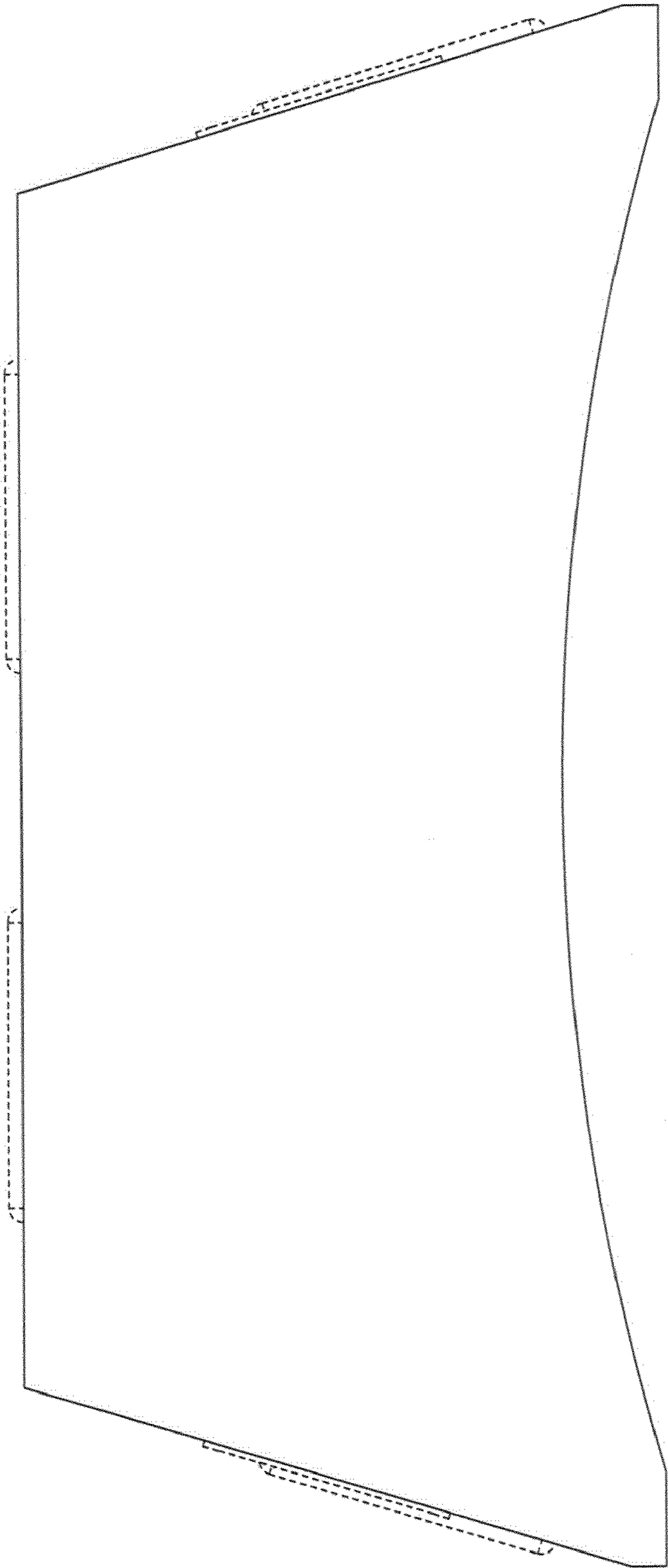


FIG.7

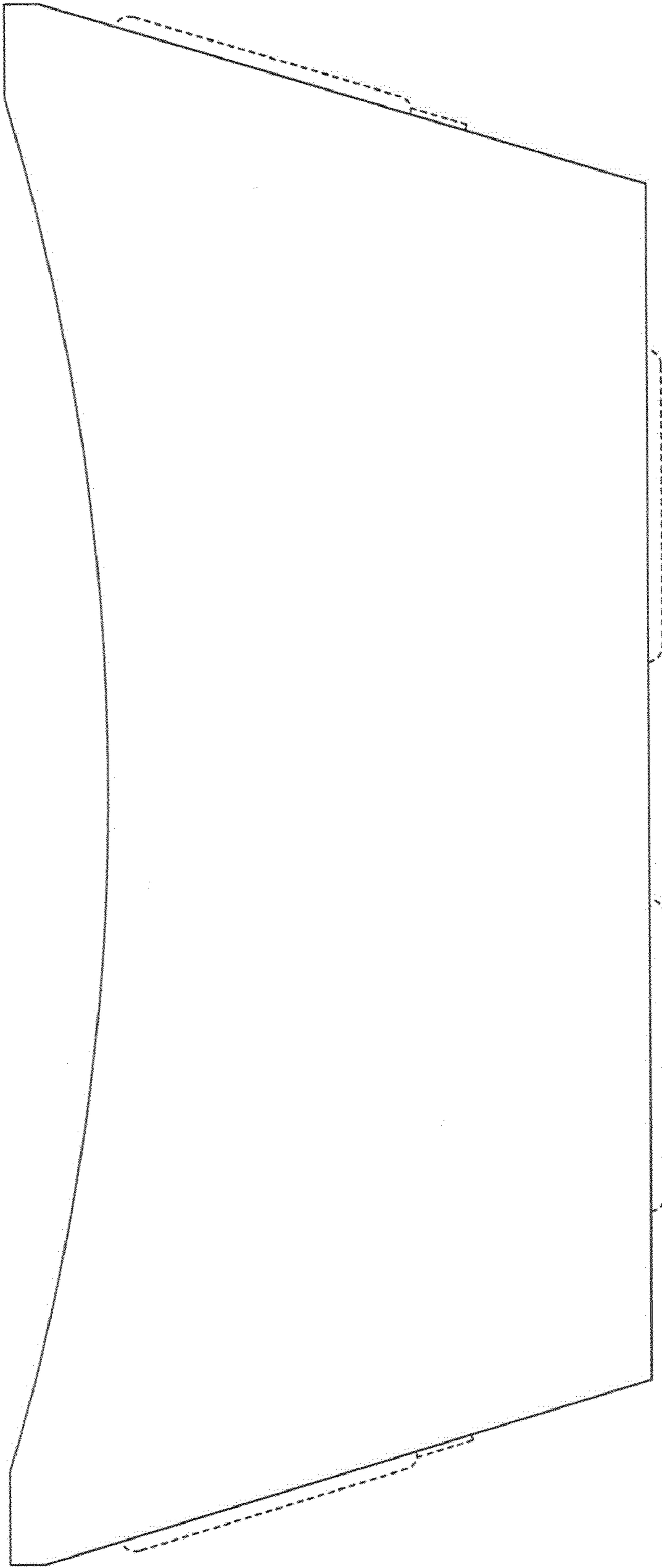


FIG.8

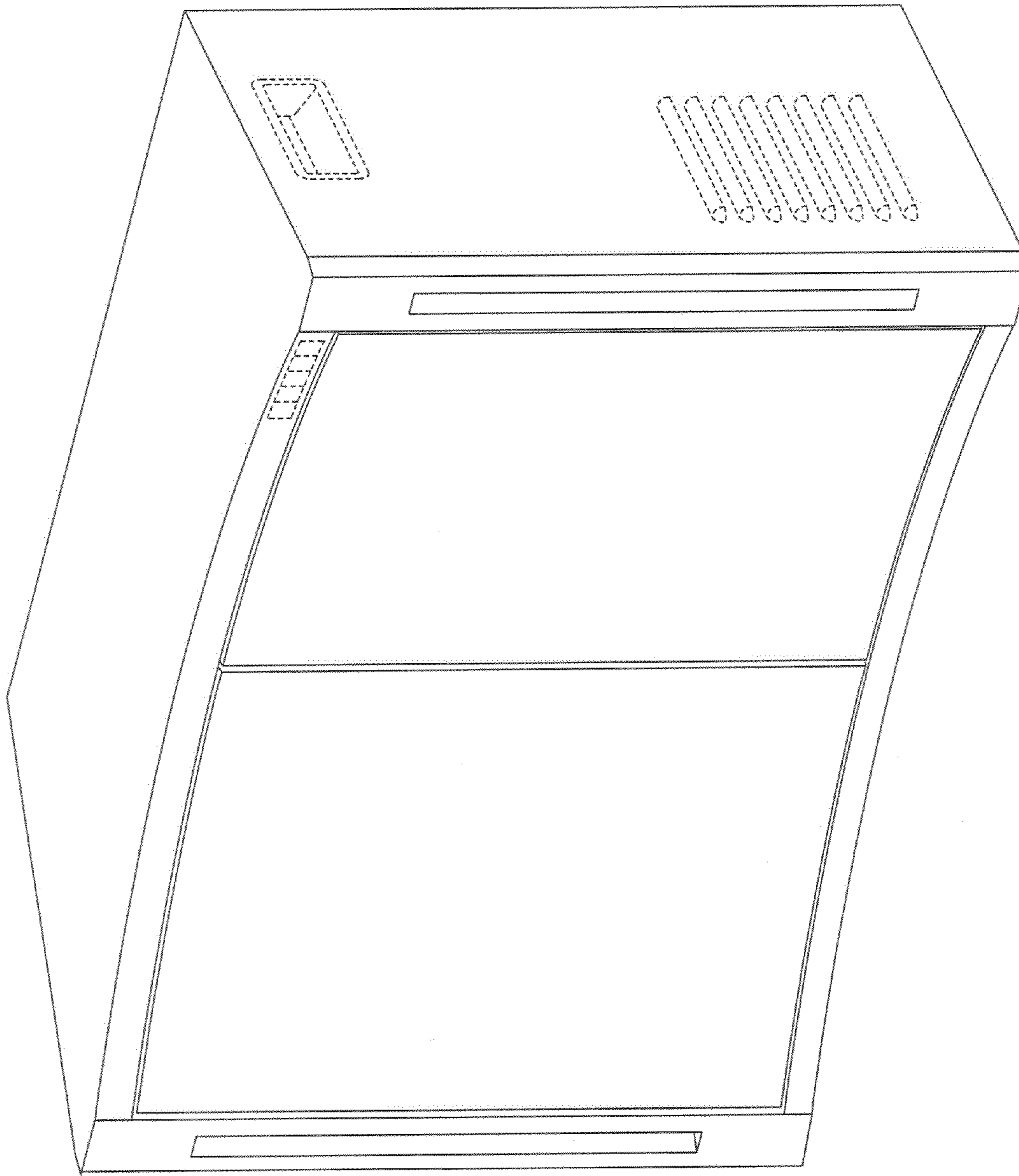


FIG. 9

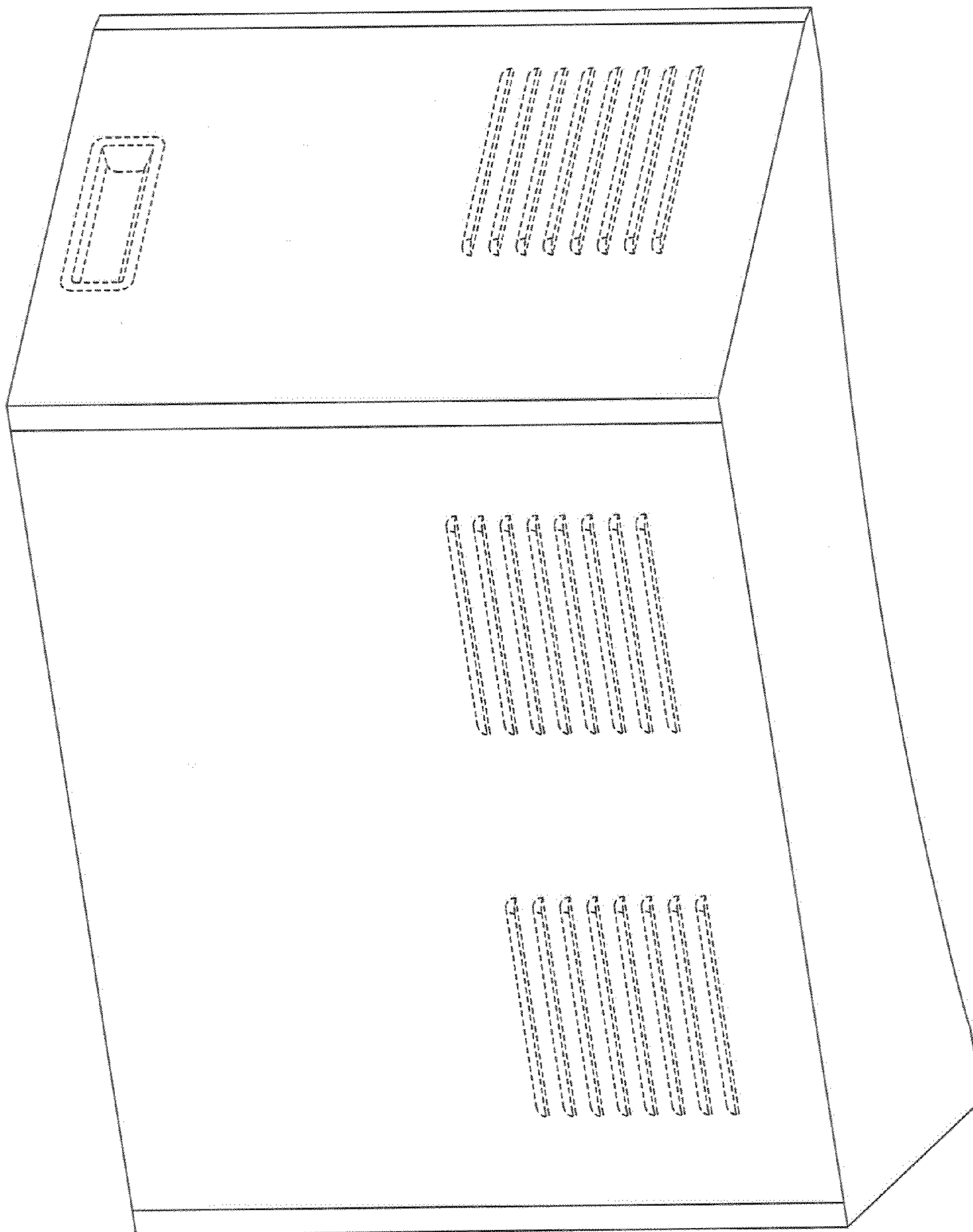


FIG.10

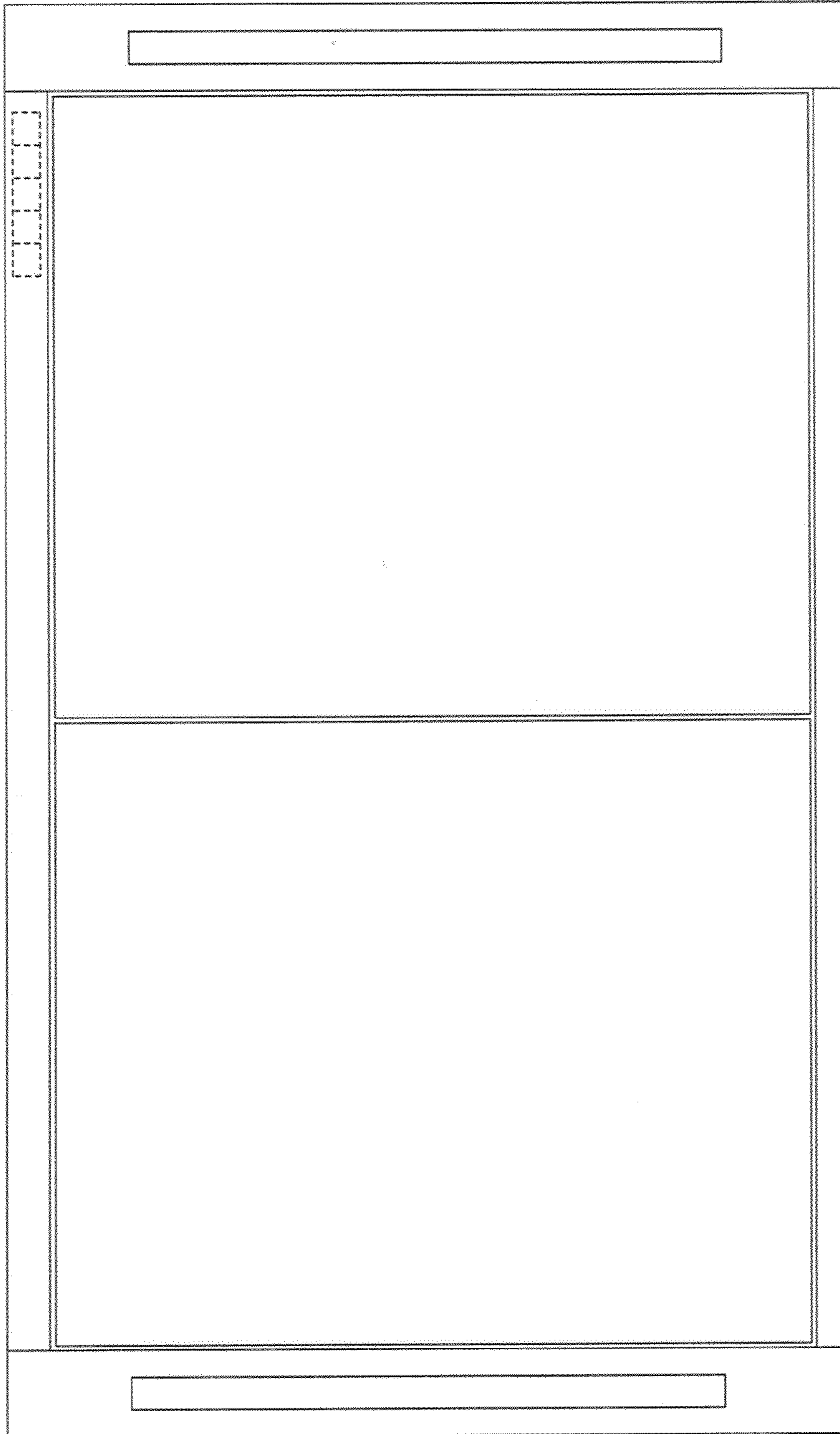


FIG. 11

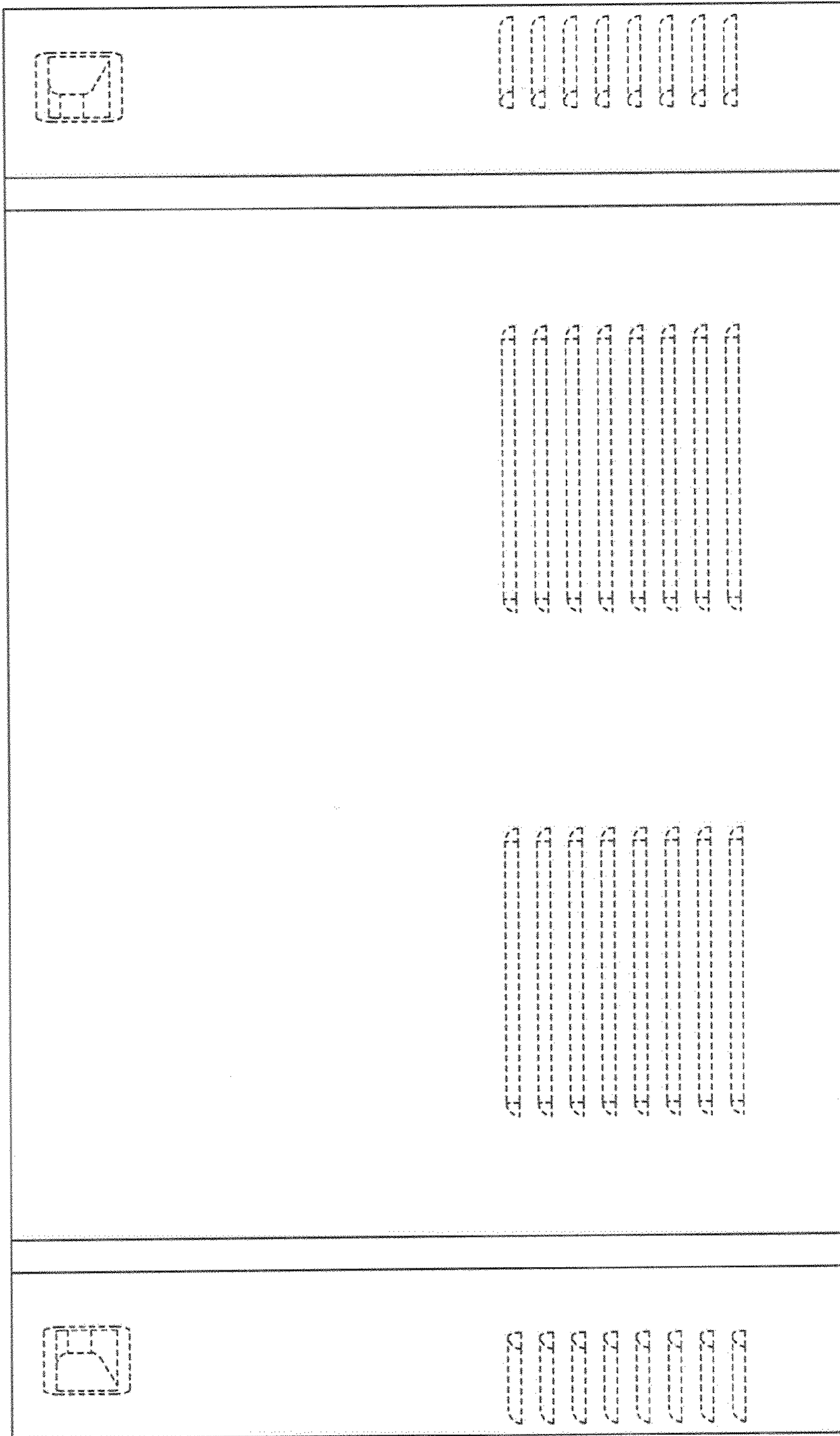


FIG. 12

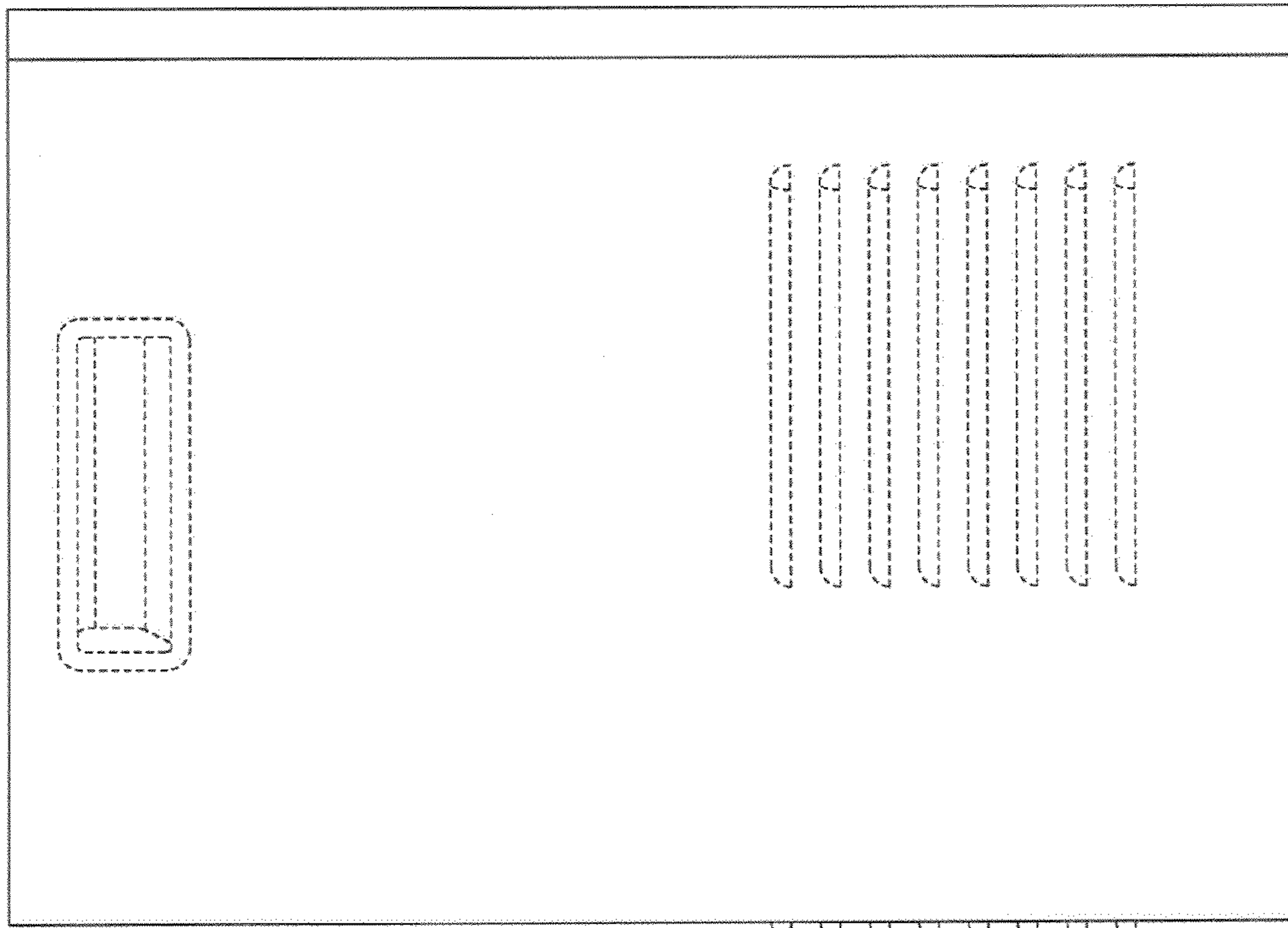


FIG. 13

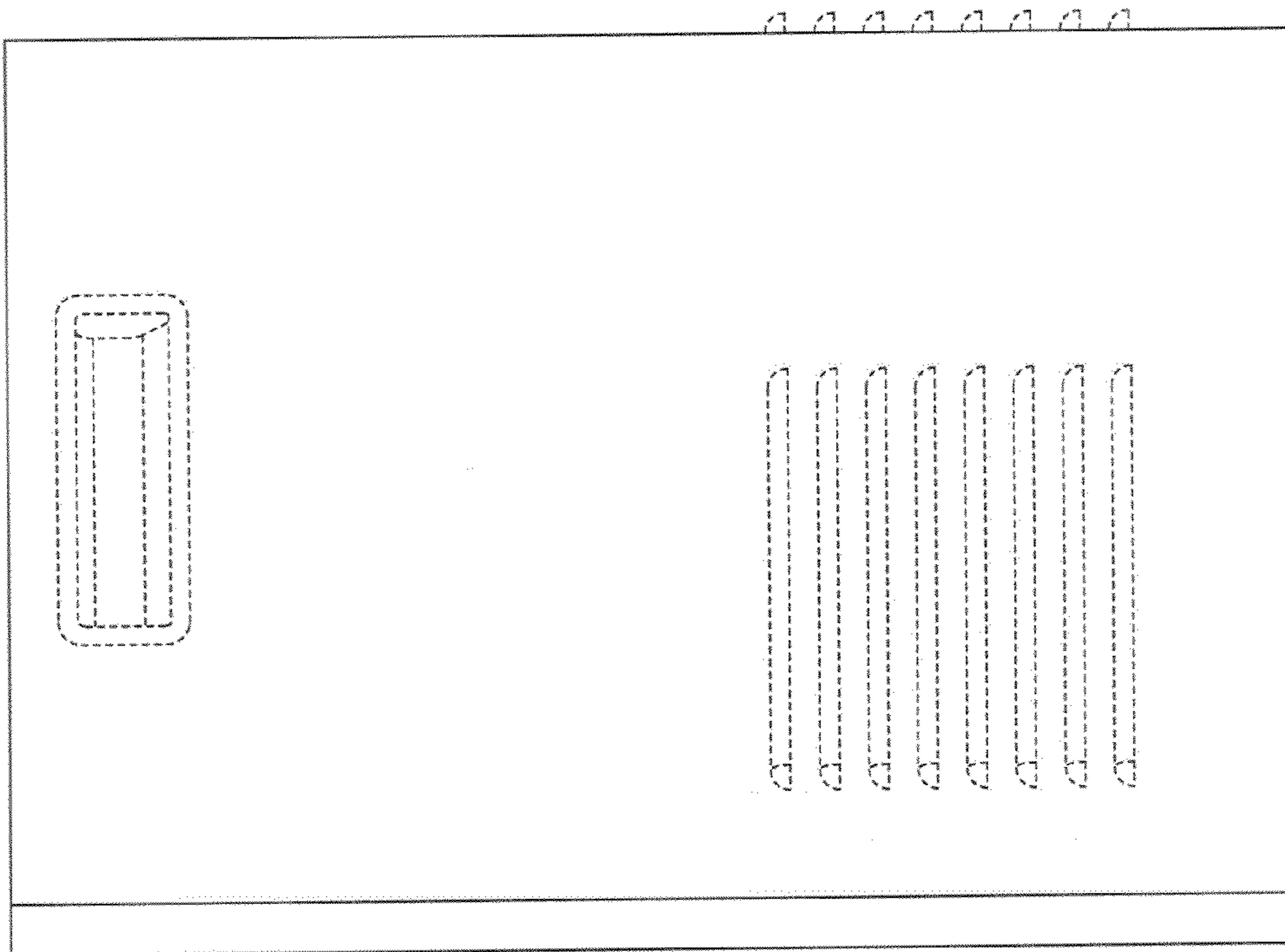


FIG. 14

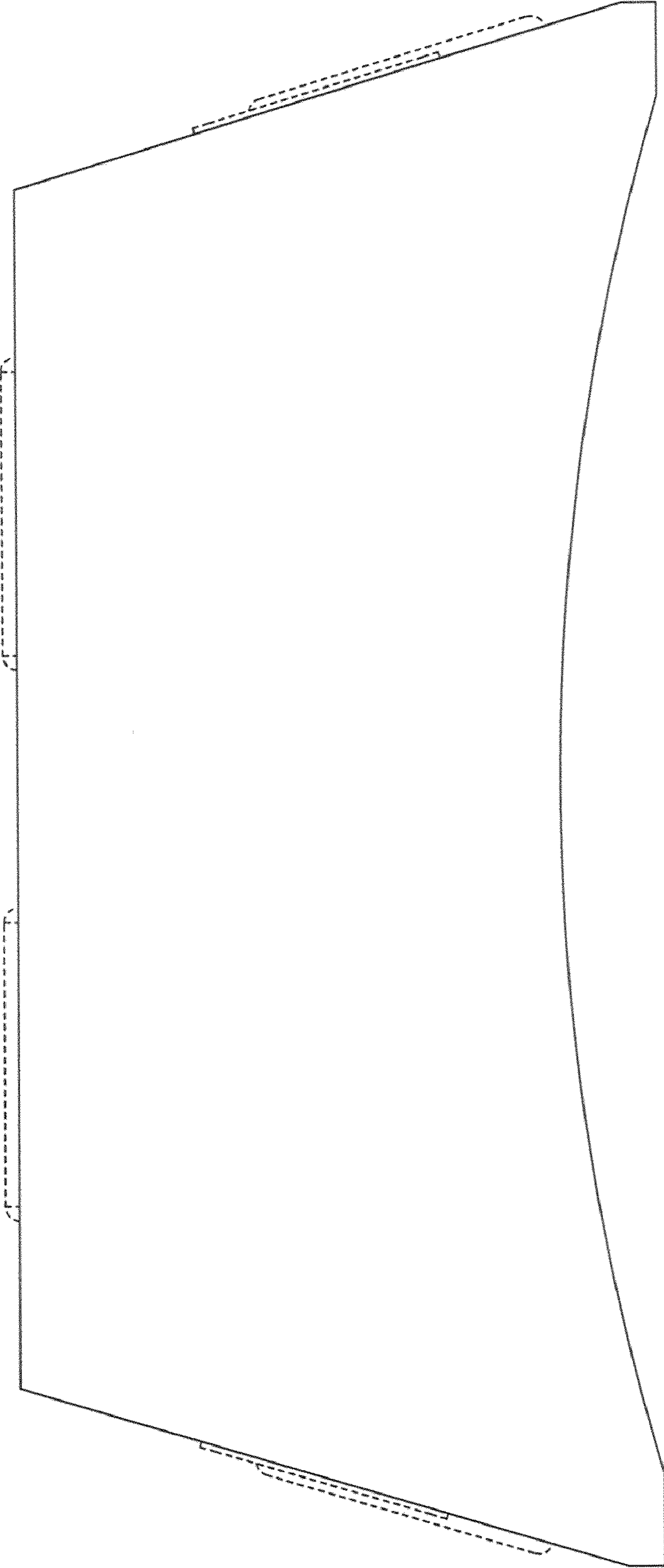


FIG.15

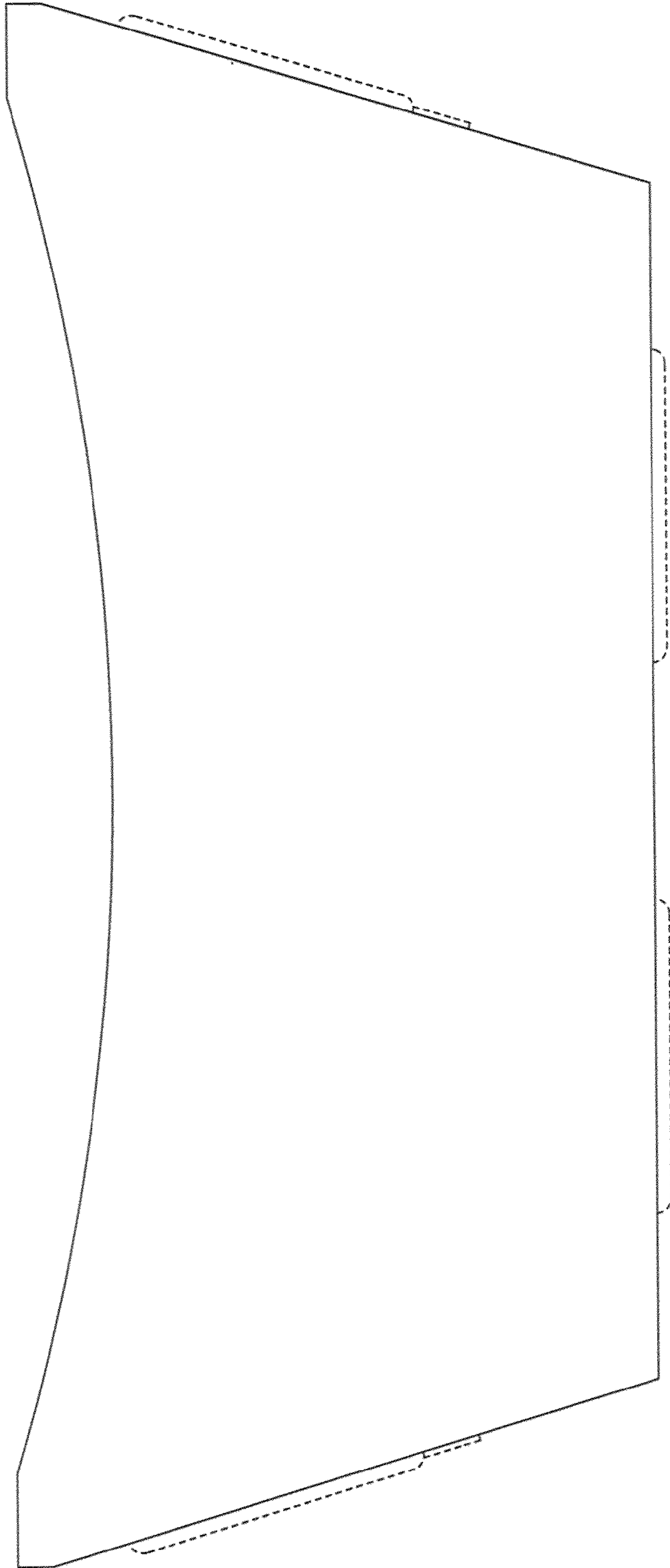


FIG.16