



US00D673660S

(12) **United States Design Patent**  
**Massaud**

(10) **Patent No.:** **US D673,660 S**  
(45) **Date of Patent:** **\*\* Jan. 1, 2013**

(54) **SINK**

(75) Inventor: **Jean Marie Massaud**, Paris (FR)

(73) Assignee: **Hansgrohe SE**, Schiltach (DE)

(\*\*) Term: **14 Years**

(21) Appl. No.: **29/403,202**

(22) Filed: **Oct. 3, 2011**

(30) **Foreign Application Priority Data**

Apr. 5, 2011 (EM) ..... 001269138-0001

(51) **LOC (9) Cl.** ..... **23-02**

(52) **U.S. Cl.** ..... **D23/293.1**

(58) **Field of Classification Search** ..... D23/284,  
D23/287, 293.1; 4/619, 656, 637  
See application file for complete search history.

(56) **References Cited**

**U.S. PATENT DOCUMENTS**

D410,531 S \* 6/1999 Kaiser ..... D23/284  
D558,861 S \* 1/2008 Spangler ..... D23/293.1

**OTHER PUBLICATIONS**

Brochure—Bolan, 4 pgs., Bolan srl, Montelabbate, Italy (at least as early as Sep. 30, 2008).

Brochure—Firenze, 3 pgs., Carmenta Srl, Carmignano di Brenta (Padova), Italy (at least as early as Sep. 30, 2006).

\* cited by examiner

*Primary Examiner* — Robert Delehanty

(74) *Attorney, Agent, or Firm* — Nirav D. Parikh; Lora J. Graentzdoerffer; Edgar A. Zarins

(57) **CLAIM**

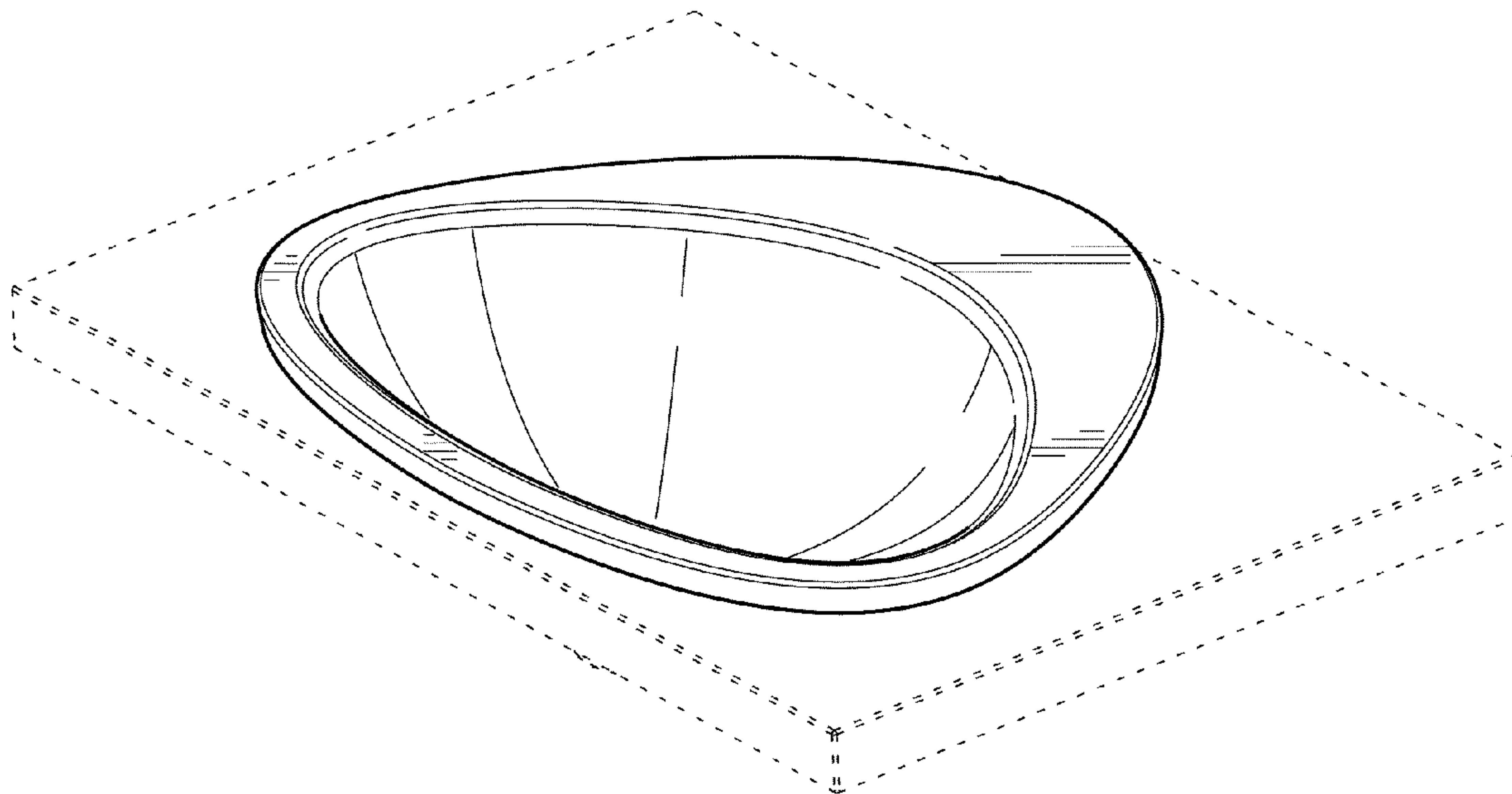
The ornamental design for a sink, as shown and described.

**DESCRIPTION**

FIG. 1 is a perspective view of a sink showing my design; FIG. 2 is a front elevational view thereof; FIG. 3 is a rear elevational view thereof; FIG. 4 is a side elevational view thereof; and, FIG. 5 is a top plan view thereof.

The broken-line disclosure in the views represents portions of the article in which the claimed design is embodied, but which form no part of the claimed design.

**1 Claim, 5 Drawing Sheets**



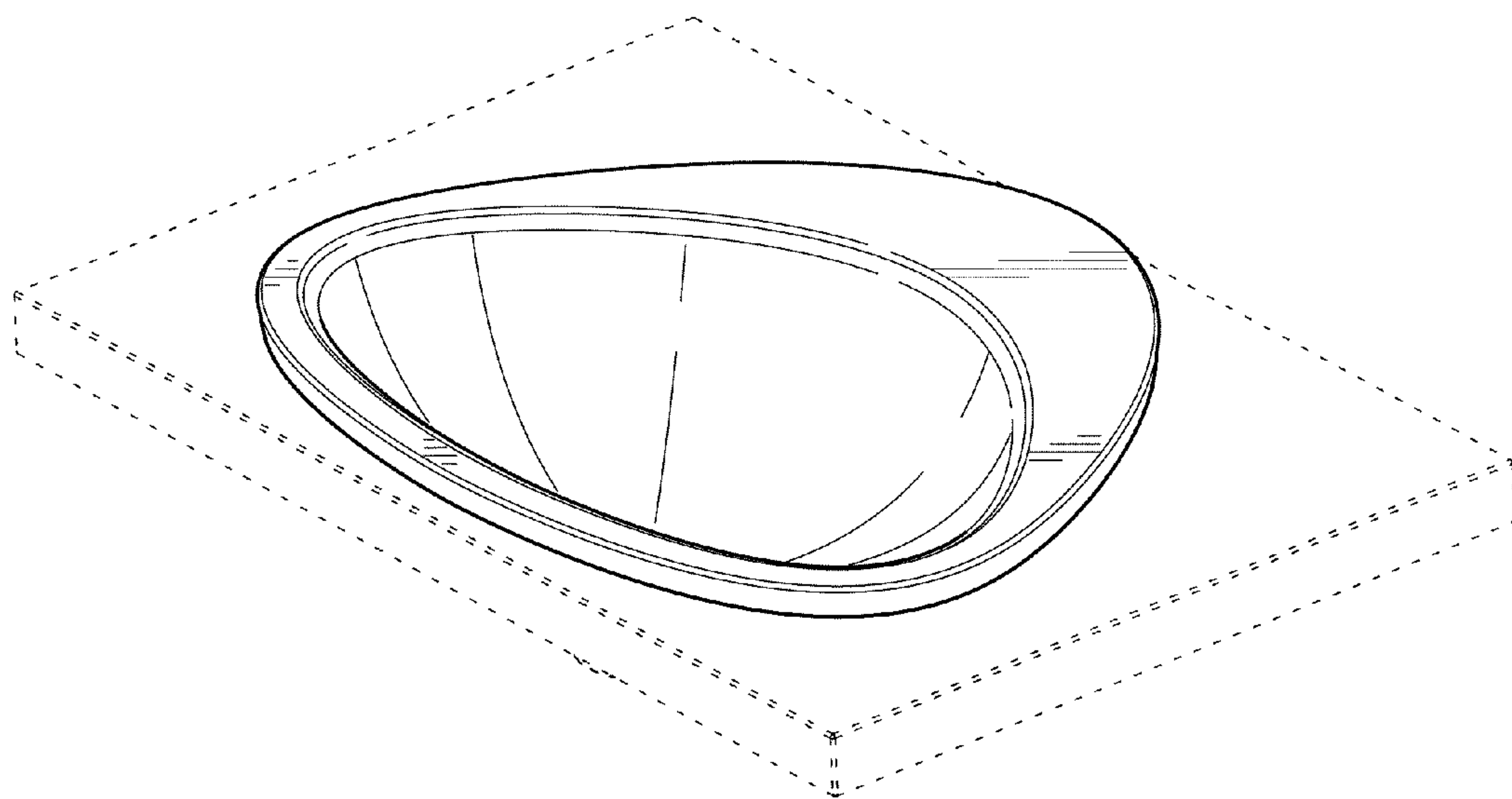


FIG. 1

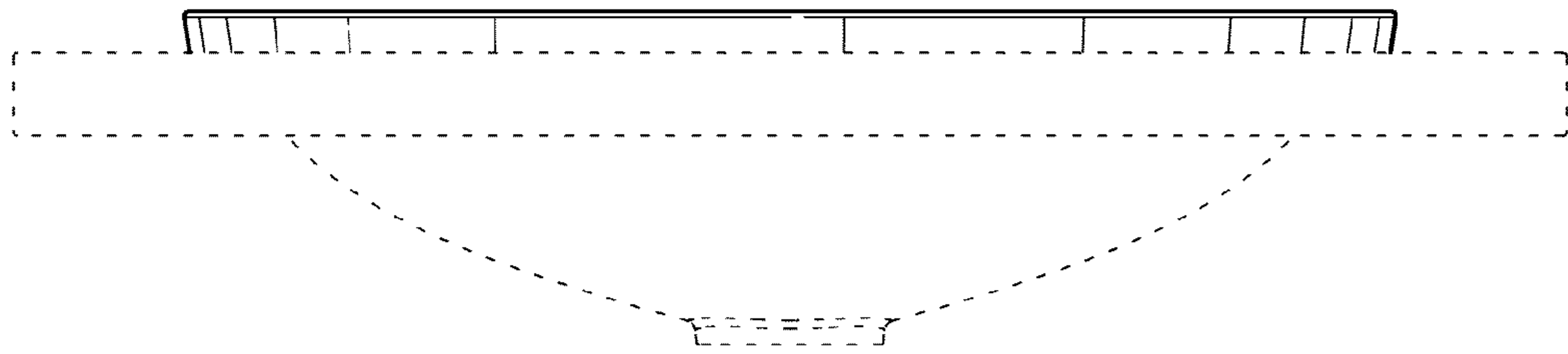


FIG. 2

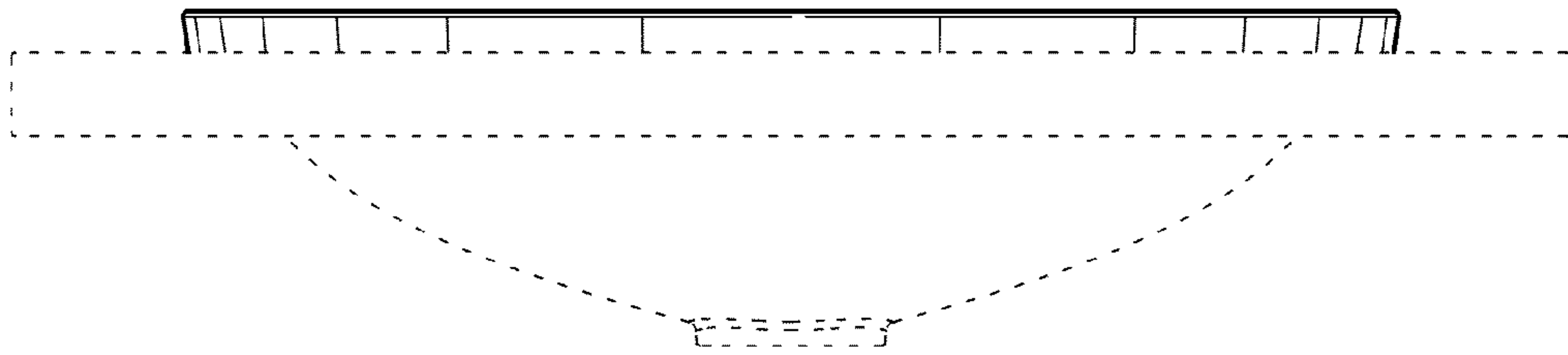


FIG. 3

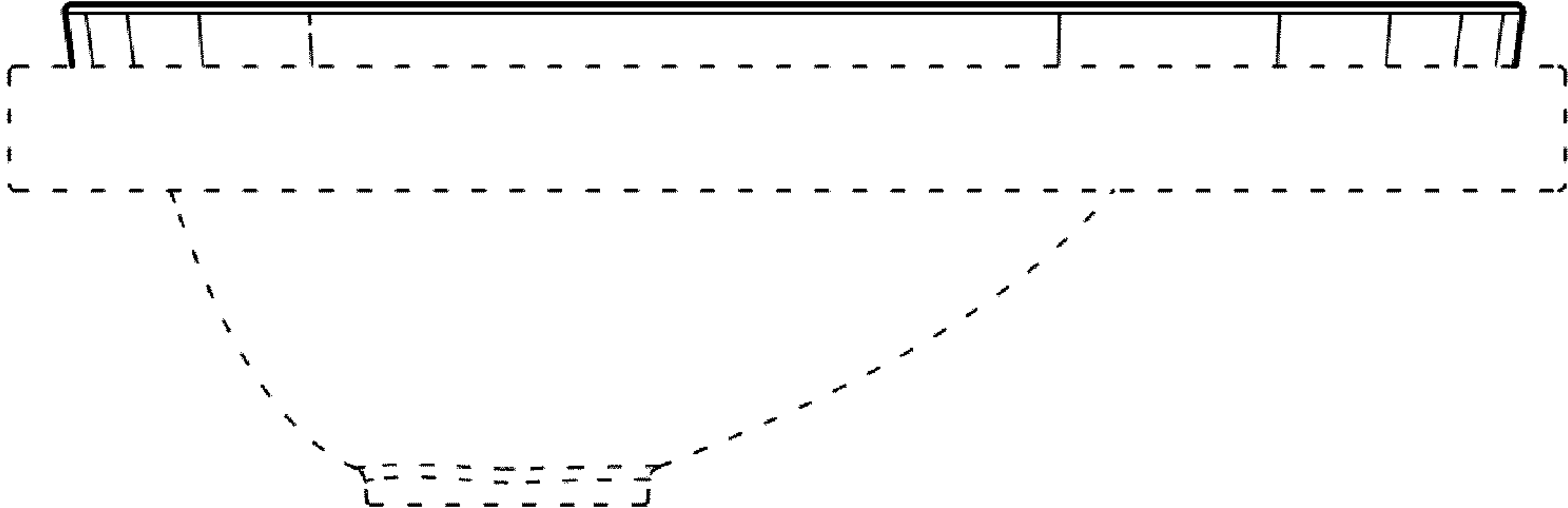


FIG. 4

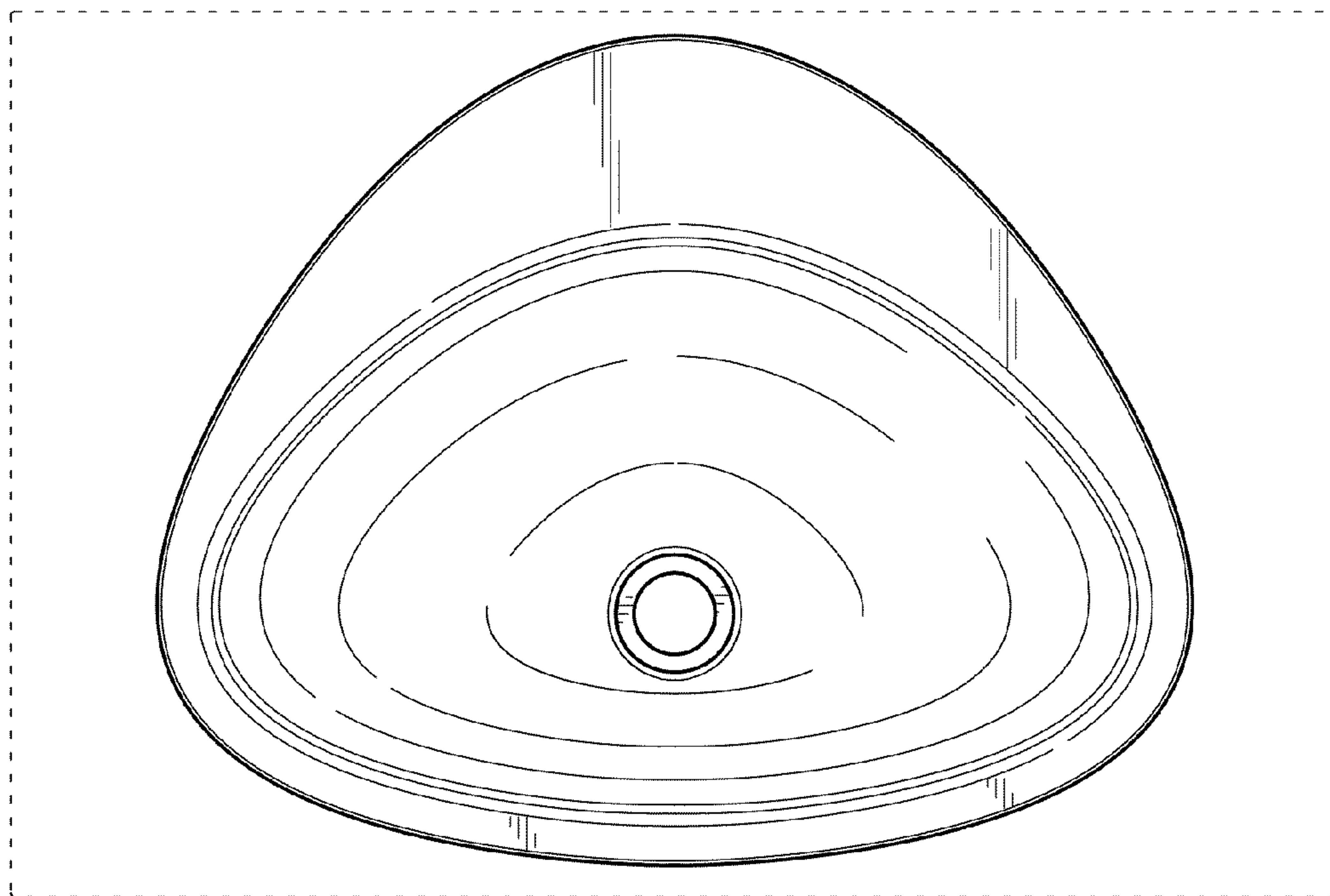


FIG. 5