

US00D673658S

(12) **United States Design Patent**
Dufresne

(10) **Patent No.:** **US D673,658 S**
(45) **Date of Patent:** **** Jan. 1, 2013**

(54) **HOSE BRIDGE**

(75) Inventor: **Danick Dufresne**, Laval (CA)

(73) Assignee: **Les Rampes Secur Acces Inc.**, Laval (CA)

(**) Term: **14 Years**

(21) Appl. No.: **29/405,783**

(22) Filed: **Nov. 7, 2011**

(51) **LOC (9) Cl.** **23-01**

(52) **U.S. Cl.** **D23/266**

(58) **Field of Classification Search** D23/259,
D23/262, 266; D25/119, 120, 123, 125;
104/275, 276, 277

See application file for complete search history.

(56) **References Cited**

U.S. PATENT DOCUMENTS

679,570	A	7/1901	McClurg	
1,137,313	A	4/1915	Hamilton	
1,640,276	A	8/1927	Hoenisch	
1,956,125	A	4/1934	Leister	
2,150,591	A *	3/1939	Taylor	104/275
2,166,516	A	7/1939	Bainbridge	
3,357,370	A	12/1967	Walkey	
5,267,367	A	12/1993	Wegmann, Jr.	
5,385,431	A	1/1995	Topf, Jr.	
D370,717	S *	6/1996	Ziaylek et al.	D23/266
5,566,622	A *	10/1996	Ziaylek et al.	104/275
6,067,681	A	5/2000	Zeinstra et al.	
6,287,047	B1 *	9/2001	Dufresne	404/15
6,878,881	B1	4/2005	Henry	

D552,217	S *	10/2007	Norton et al.	D23/259
D567,913	S *	4/2008	Norton et al.	D23/259
7,394,025	B1 *	7/2008	Wong	174/135
7,795,535	B2	9/2010	Lubanski	
7,838,772	B2	11/2010	Lubanski	
2009/0020305	A1	1/2009	Fidler	

FOREIGN PATENT DOCUMENTS

CN	201546164	8/2010
DE	10355089	5/2005
DE	202006003798	6/2006
JP	11082866	3/1999
JP	11131410	5/1999
JP	2001070469	3/2001

* cited by examiner

Primary Examiner — Eric Goodman

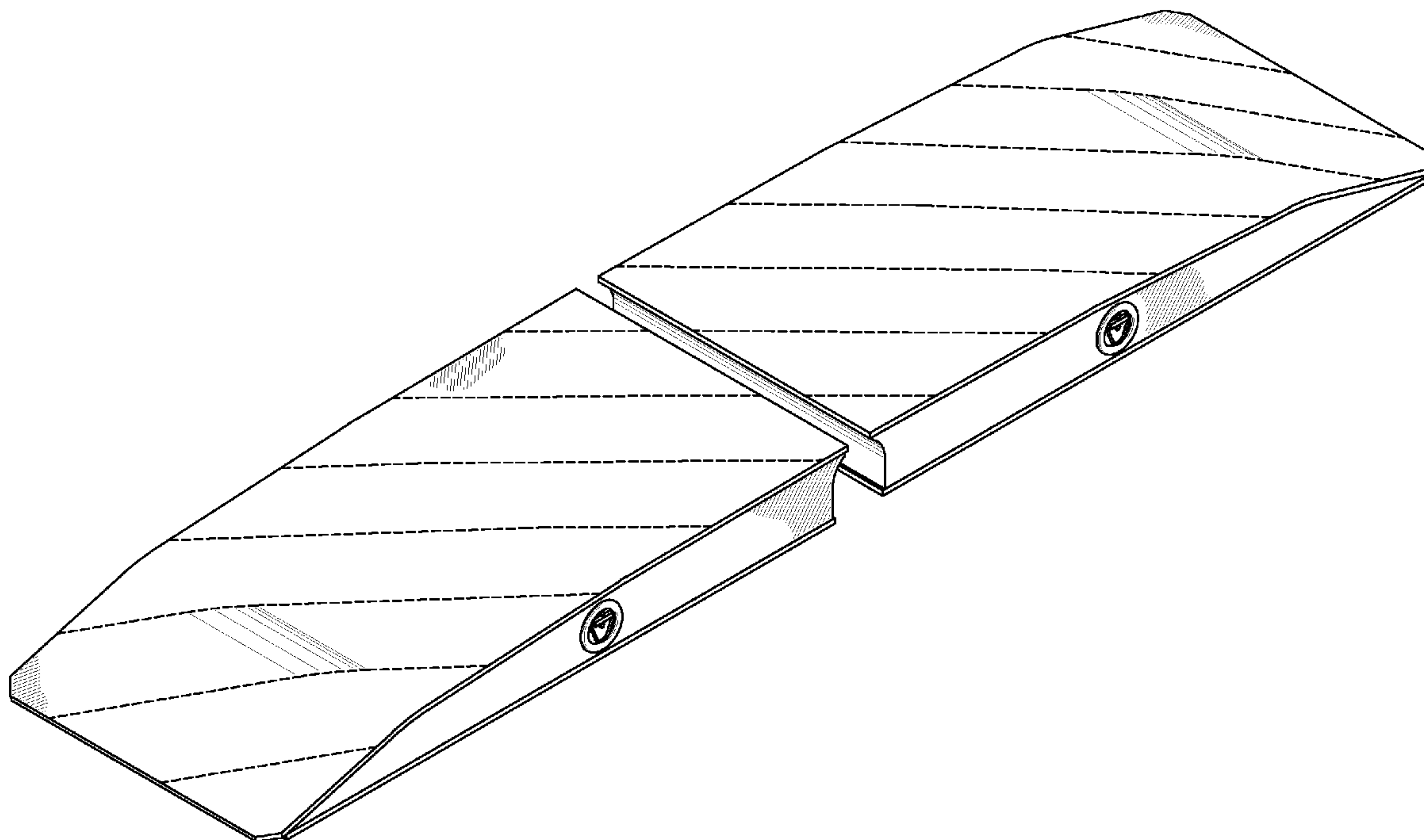
(57) **CLAIM**

What is claimed is the ornamental design for a hose bridge, as shown and described.

DESCRIPTION

FIG. 1 is a perspective view of the article;
FIG. 2 is a side view of the article;
FIG. 3 is another side view of the article;
FIG. 4 is a top plan view of the article;
FIG. 5 is a bottom plan view of the article;
FIG. 6 is a front view of the article; and,
FIG. 7 is a rear view of the article.
The broken line showing is included for the purpose of illustrating portions of the article and form no part of the claimed design.

1 Claim, 6 Drawing Sheets



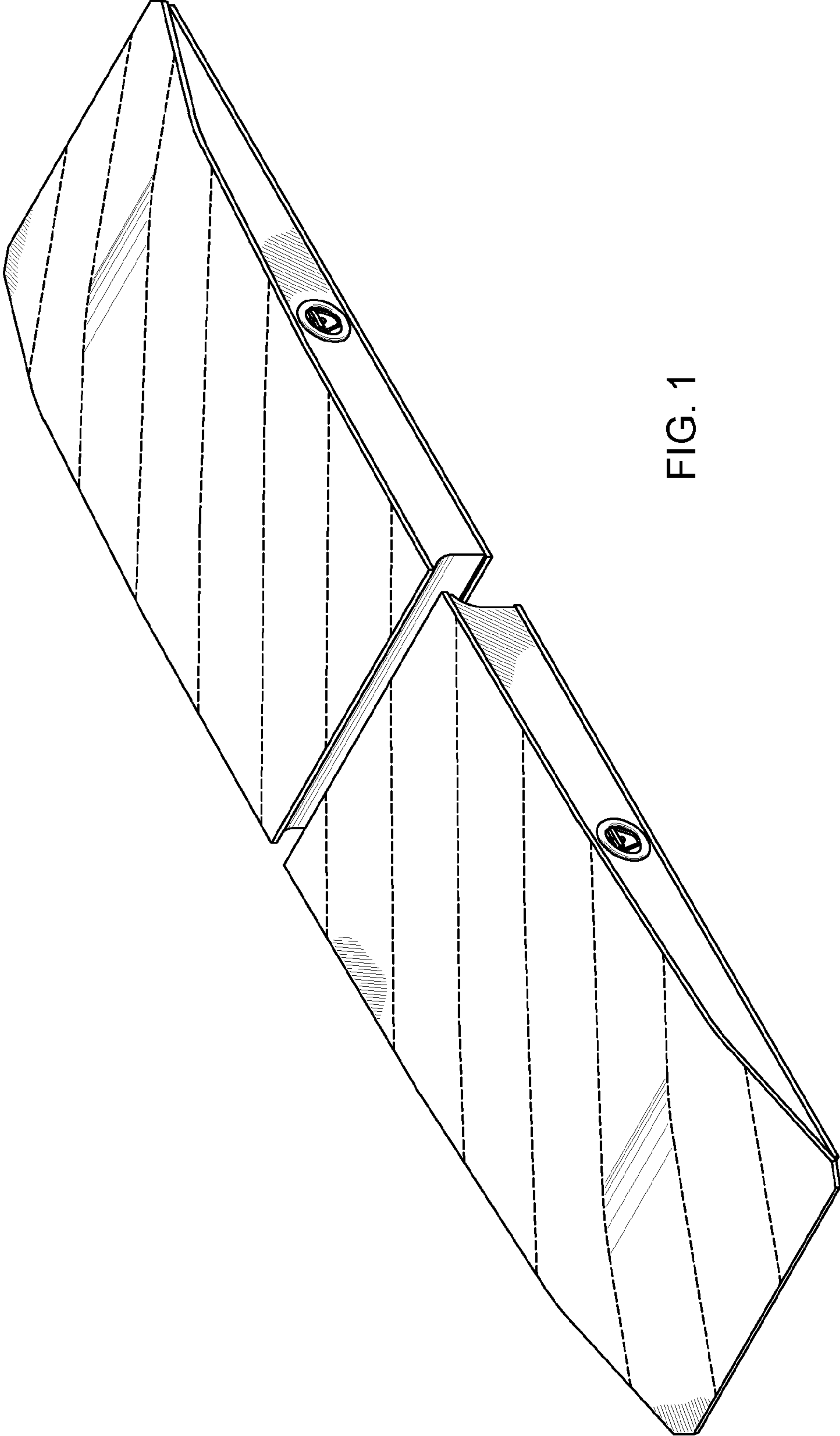


FIG. 1

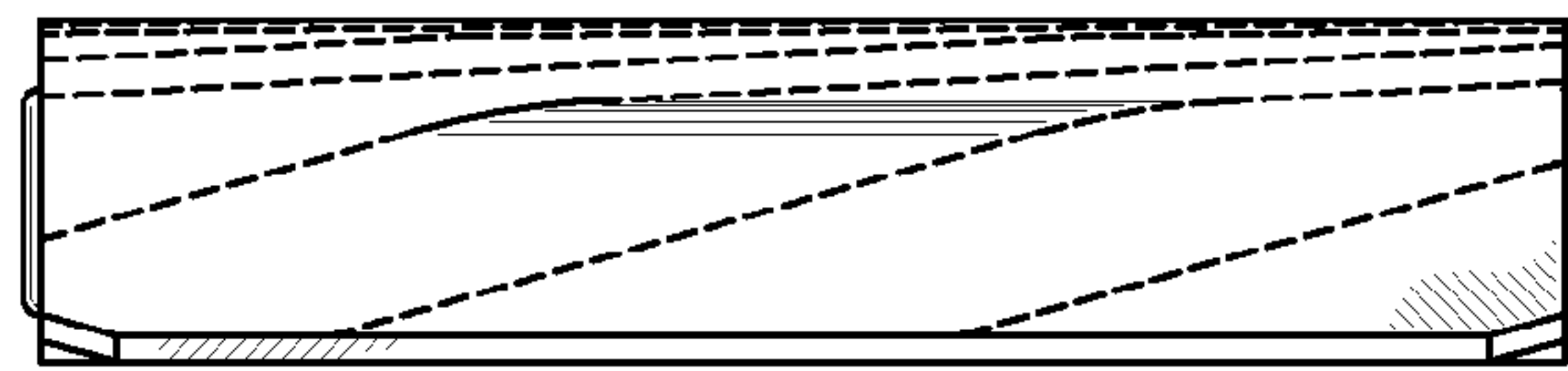


FIG. 2

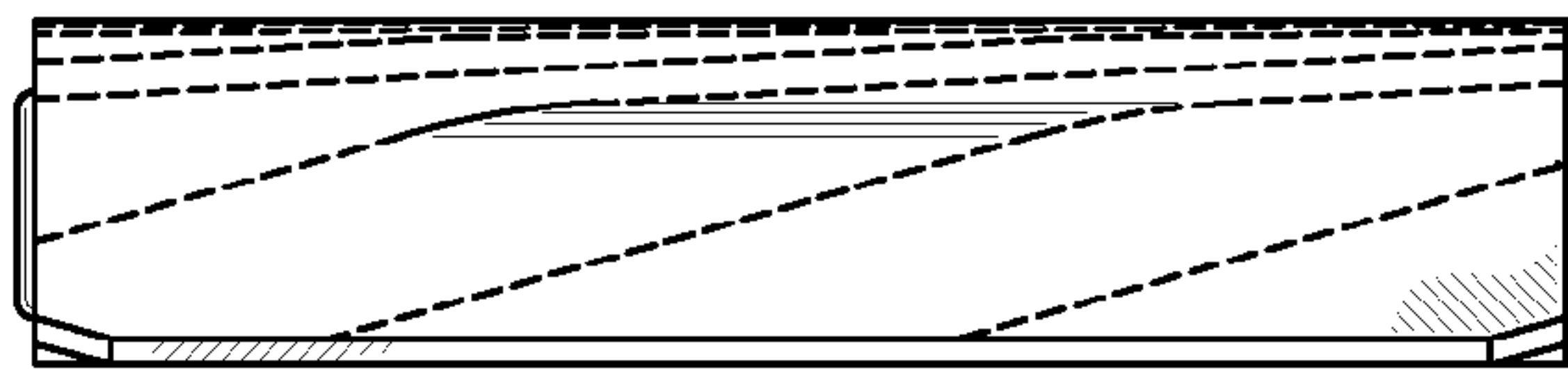


FIG. 3

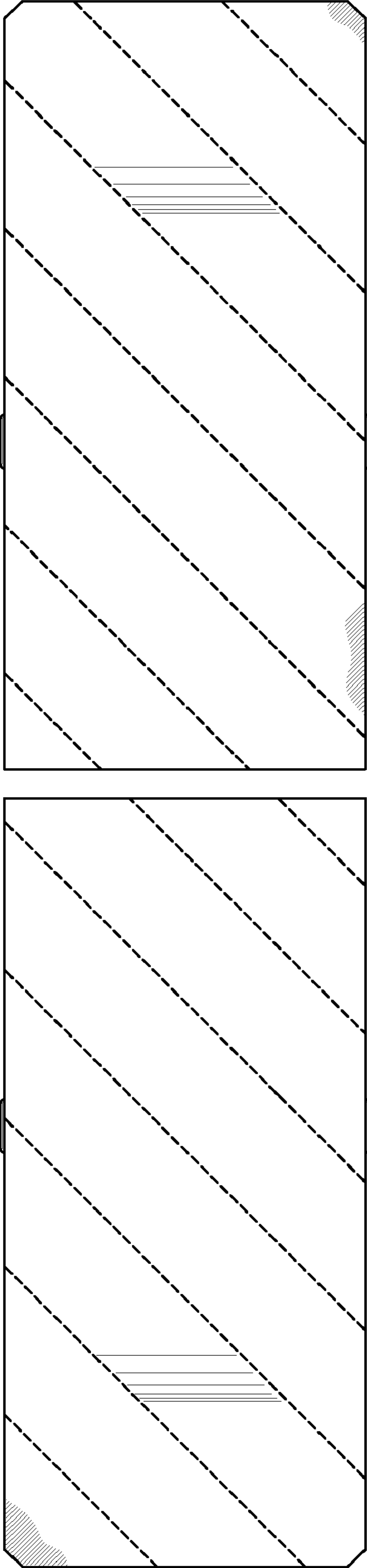


FIG. 4

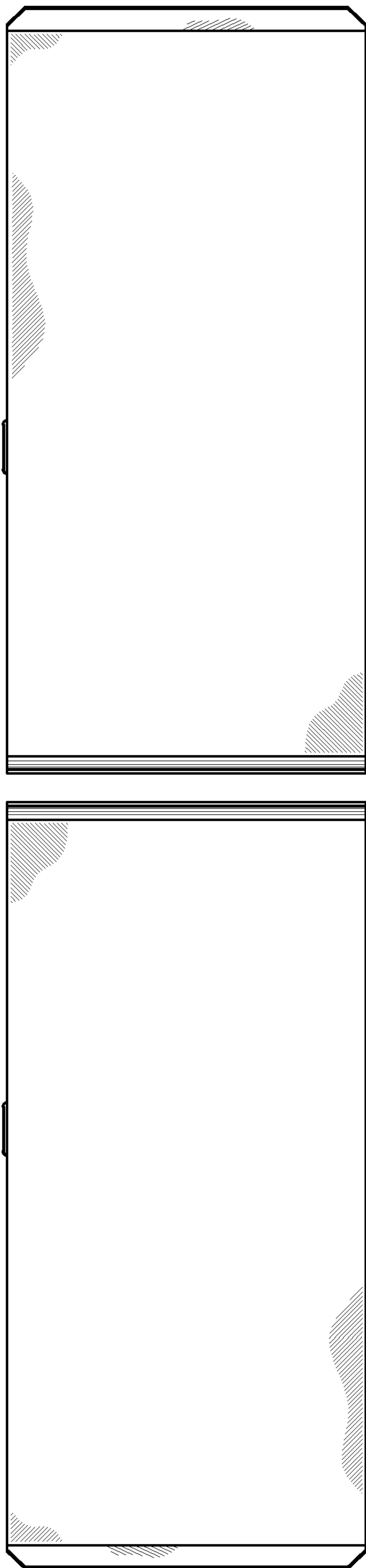


FIG. 5

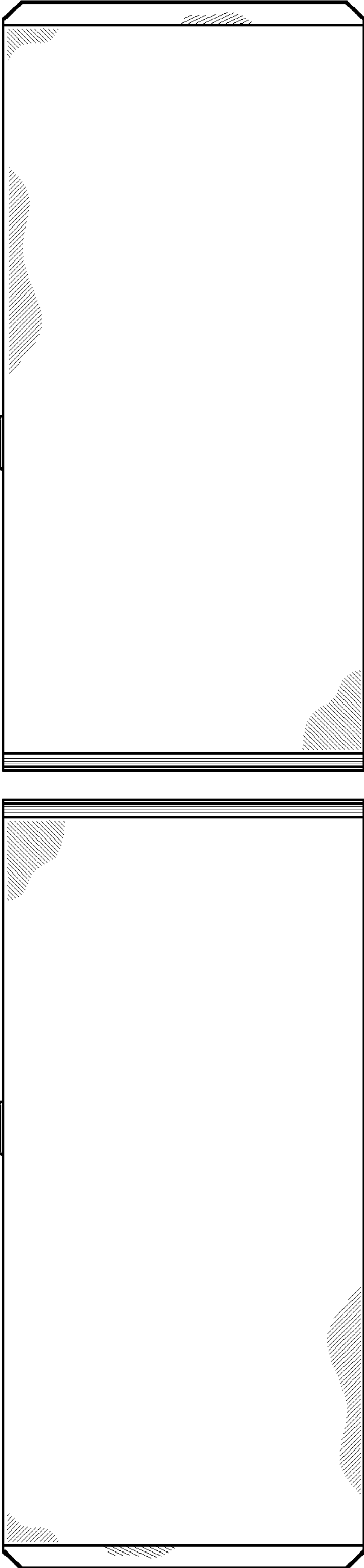


FIG. 6

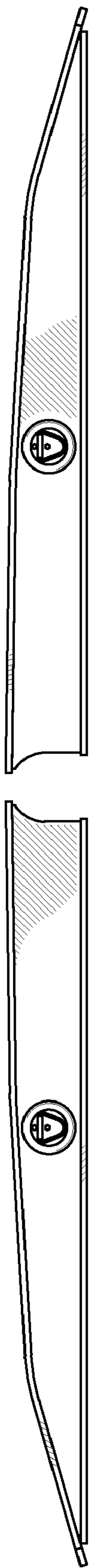


FIG. 7