



US00D673657S

(12) **United States Design Patent**
Sisk

(10) **Patent No.:** **US D673,657 S**
(45) **Date of Patent:** **** Jan. 1, 2013**

(54) **FLUTED DROP TEE**
(75) Inventor: **David E. Sisk**, Bonne Terre, MO (US)
(73) Assignee: **Bulk Tank, Inc.**, Park Hills, MO (US)
(**) Term: **14 Years**
(21) Appl. No.: **29/395,947**
(22) Filed: **Apr. 26, 2012**

4,889,318 A 12/1989 Sisk
5,374,087 A 12/1994 Powers
5,387,015 A 2/1995 Sisk
D358,202 S * 5/1995 Sisk D23/263
D376,416 S 12/1996 Sisk
5,676,404 A 10/1997 Sisk
7,988,386 B2 8/2011 Sisk
2002/0187013 A1 12/2002 Campbell
2009/0211655 A1* 8/2009 Sisk 137/614.06
2009/0212555 A1 8/2009 Sisk

* cited by examiner

Related U.S. Application Data

(63) Continuation-in-part of application No. 29/362,245,
filed on May 21, 2010.
(51) **LOC (9) Cl.** **23-01**
(52) **U.S. Cl.** **D23/262**
(58) **Field of Classification Search** D23/259-269;
285/133.11, 133.21, 133.3, 133.4, 133.5,
285/133.6

See application file for complete search history.

Primary Examiner — Eric Goodman
(74) *Attorney, Agent, or Firm* — Paul M. Denk

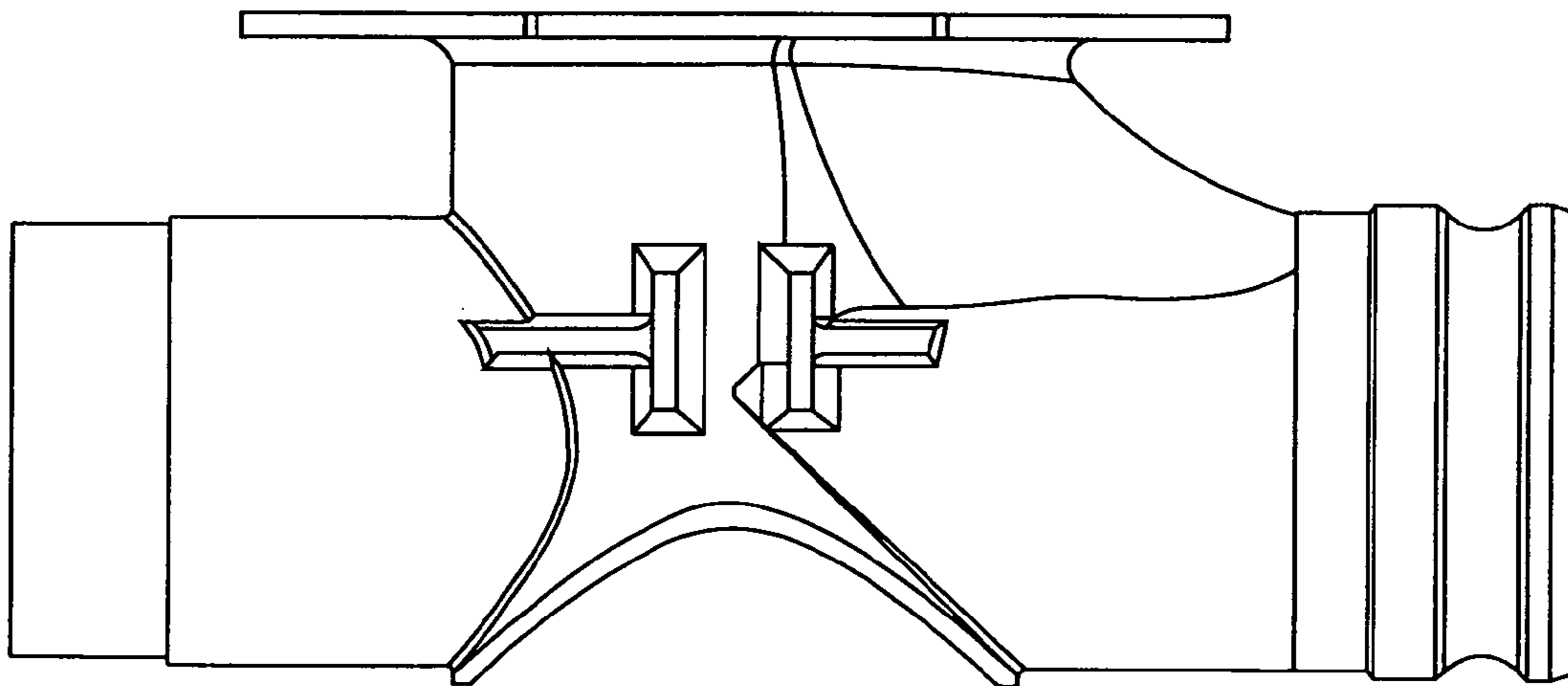
(57) **CLAIM**
The ornamental design for the fluted drop tee, as shown and described.

DESCRIPTION

FIG. 1 is a side view of the fluted drop tee of this invention;
FIG. 2 is a top view;
FIG. 3 is an end view; and,
FIG. 4 is an isometric view.

(56) **References Cited**
U.S. PATENT DOCUMENTS
1,270,049 A 6/1918 Murray
D297,678 S 9/1988 Sisk

1 Claim, 3 Drawing Sheets



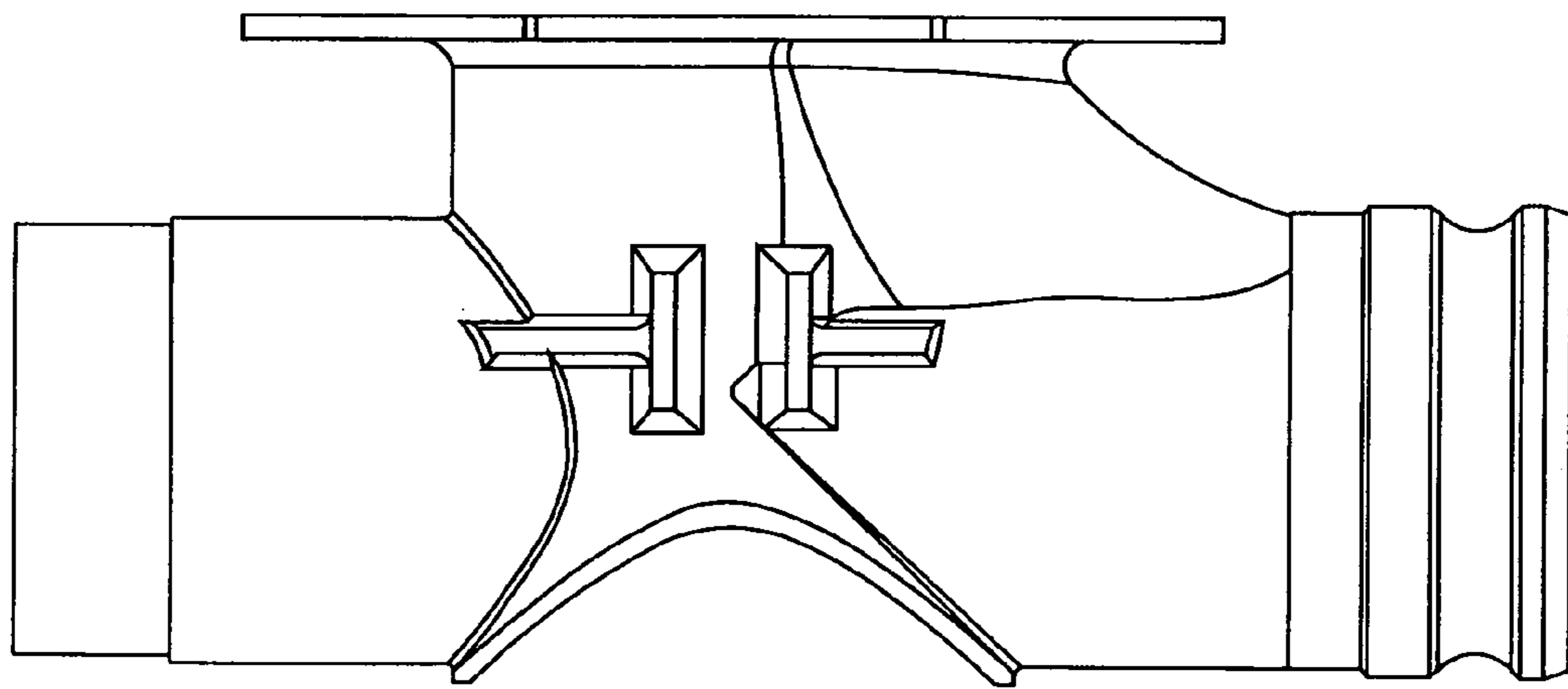


FIG. 1

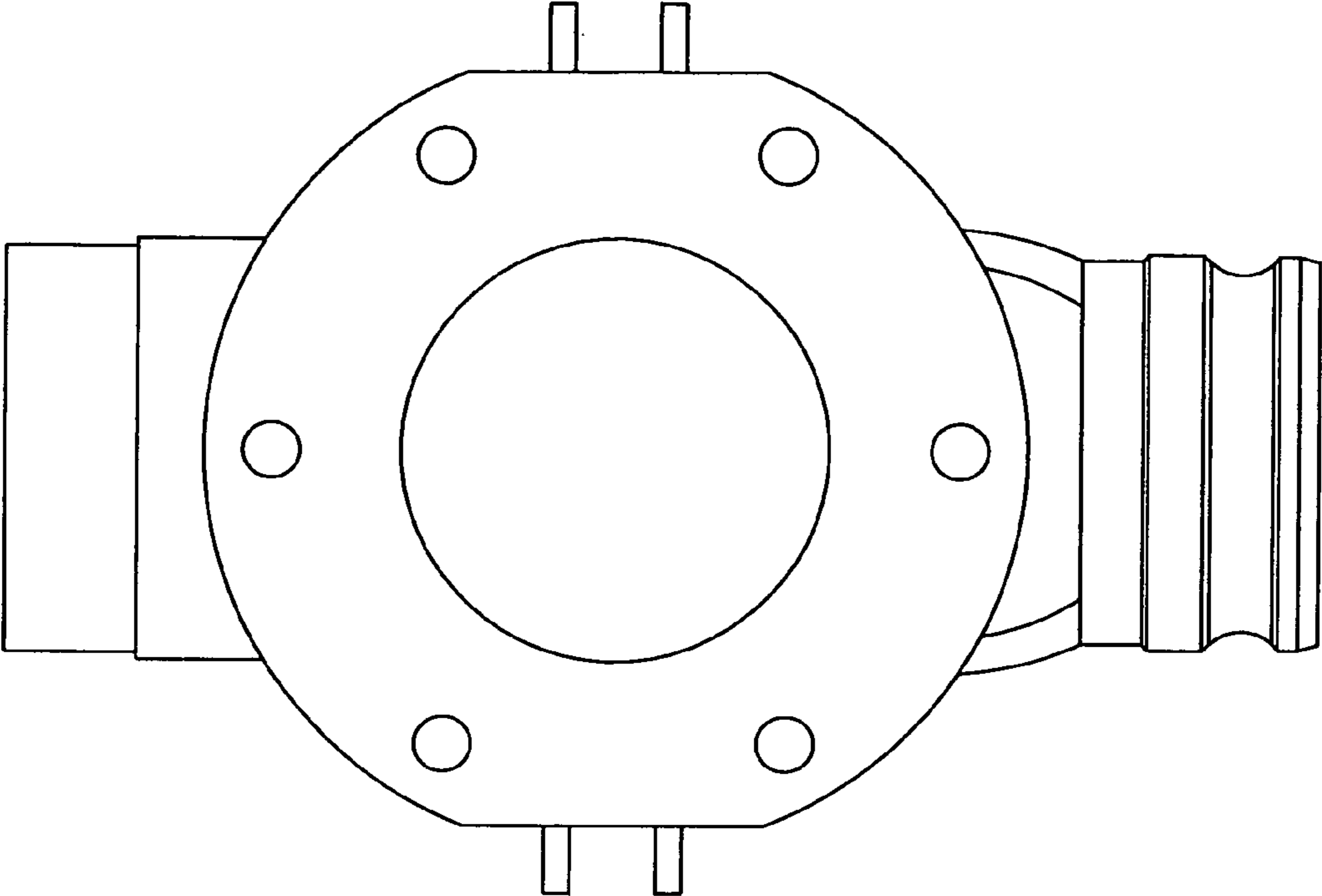


FIG. 2

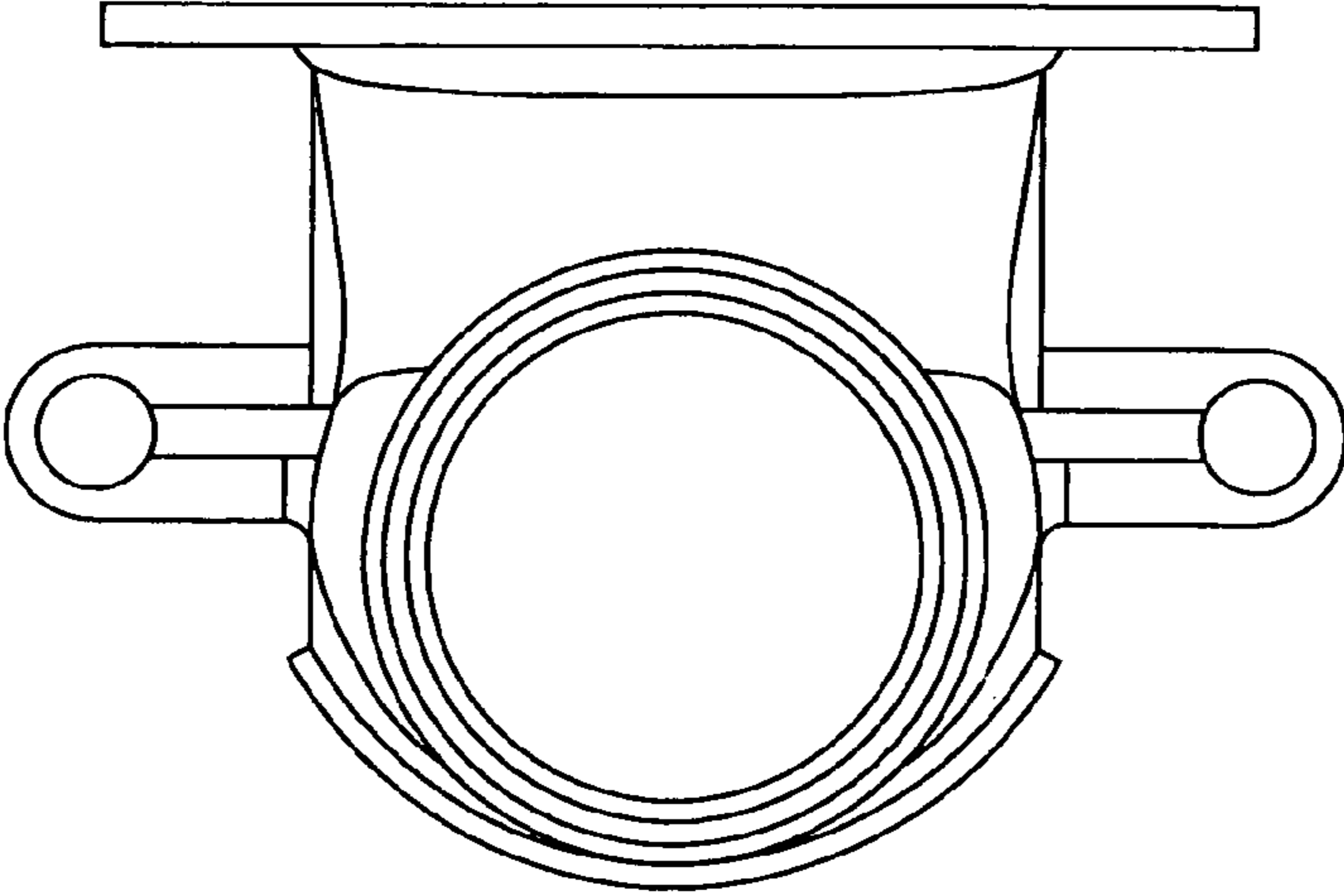


FIG. 3

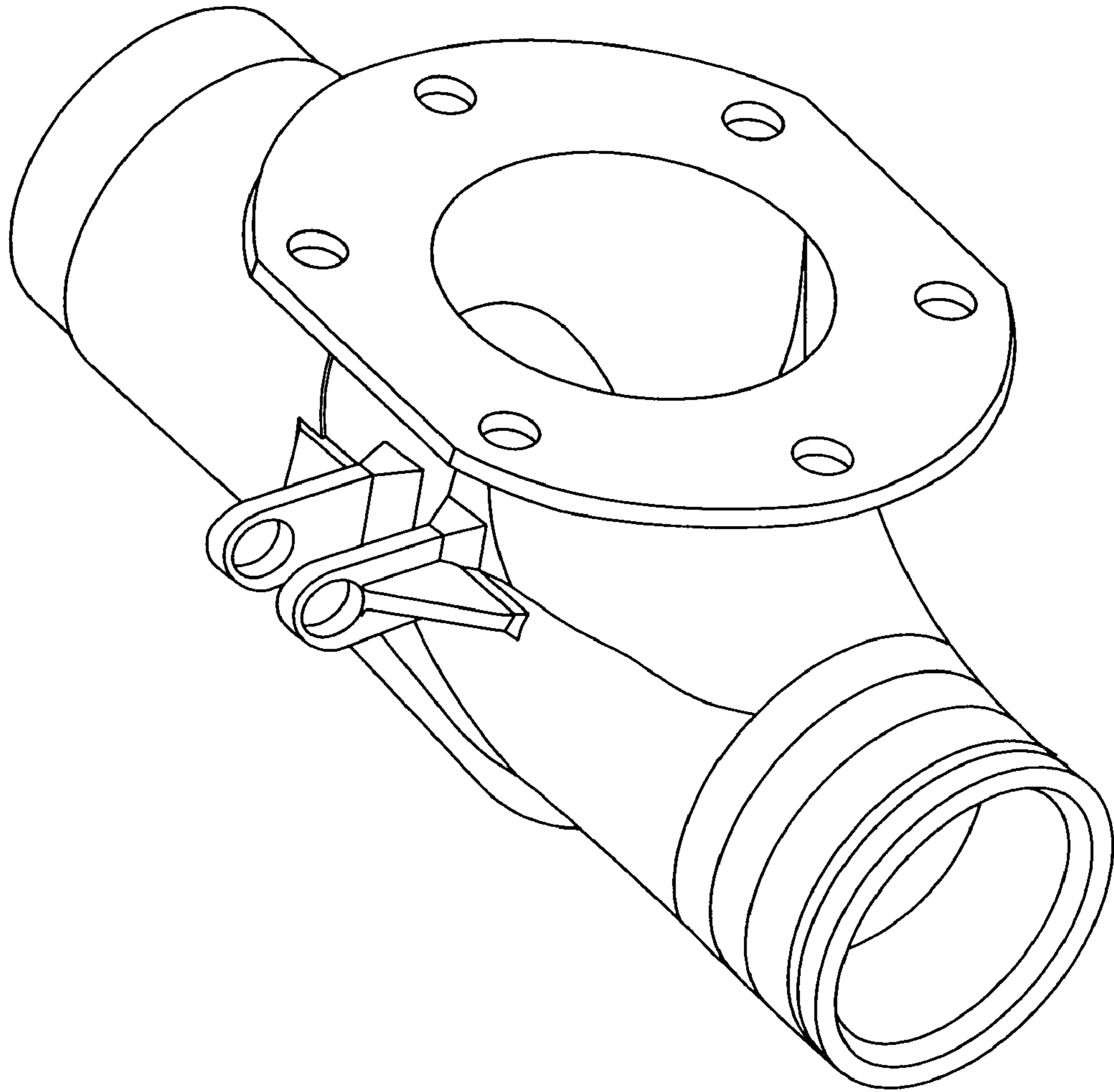


FIG. 4