



US00D673656S

(12) **United States Design Patent**
Feliciano

(10) **Patent No.:** **US D673,656 S**

(45) **Date of Patent:** **** Jan. 1, 2013**

(54) **BATHTUB OVERFLOW DRAIN COVER**

Primary Examiner — Eric Goodman

(76) **Inventor:** **Carlos Feliciano**, Orlando, FL (US)

(74) *Attorney, Agent, or Firm* — Elsie C. Turner

(**) **Term:** **14 Years**

(57) **CLAIM**

(21) **Appl. No.:** **29/372,731**

The ornamental design for a bathtub overflow drain cover, as shown and described.

(22) **Filed:** **Jan. 4, 2011**

(51) **LOC (9) Cl.** **23-01**

(52) **U.S. Cl.** **D23/261**

(58) **Field of Classification Search** D23/260–261;

4/290–295, 694; 340/618

See application file for complete search history.

DESCRIPTION

FIG. 1 is a front elevational view showing my new design;

FIG. 2 is a rear elevational view thereof;

FIG. 3 is a top plan view thereof;

FIG. 4 is a bottom plan view thereof;

FIG. 5 is a left side elevational view thereof;

FIG. 6 is a right side elevational view thereof;

FIG. 7 is sectional view thereof taken along line 15 of FIG. 9;

and,

FIG. 8 is a sectional view thereof taken along line 16 of FIG.

9.

The broken line showing is included for the purpose of illustrating environment and forms no part of the claimed design.

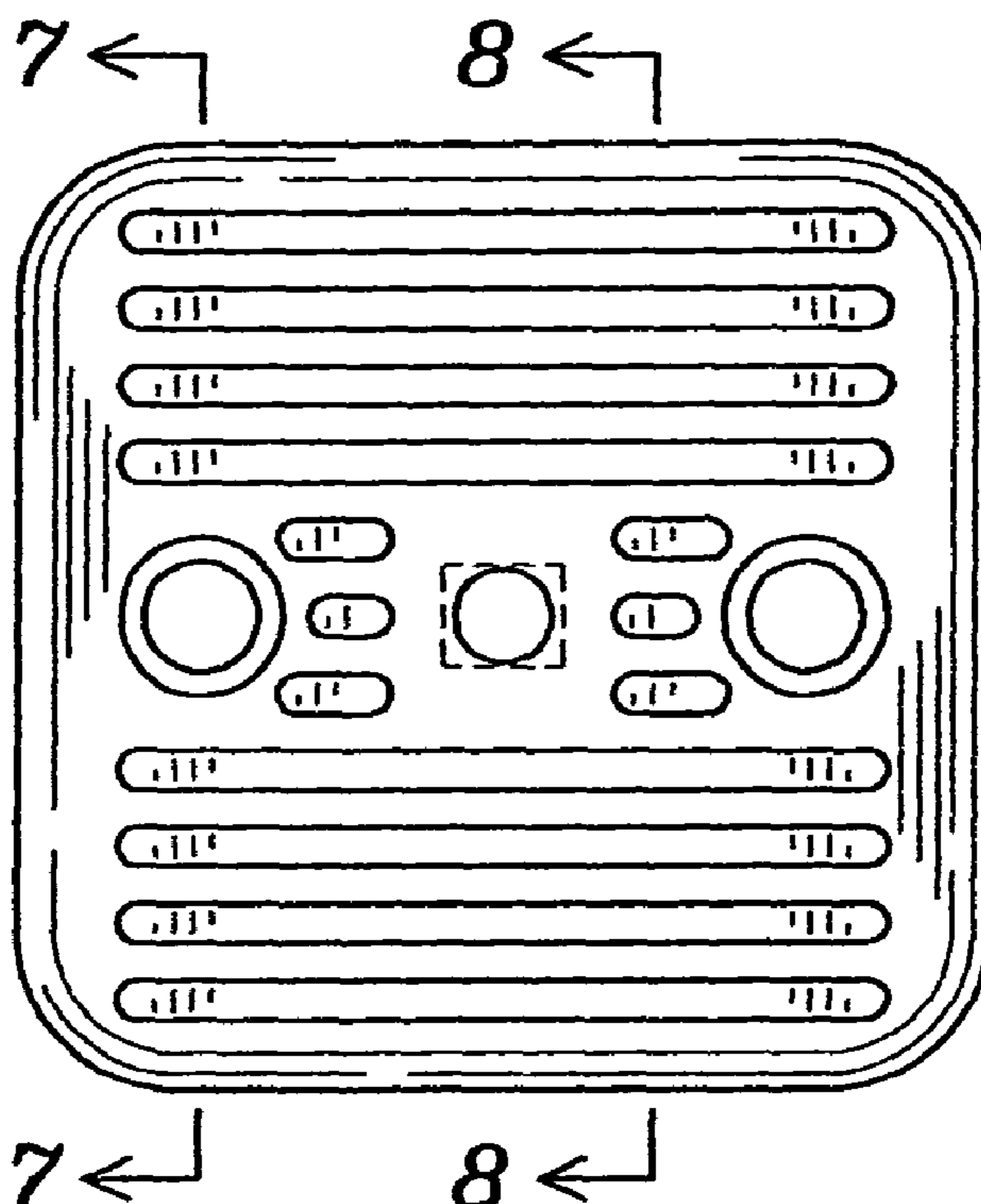
(56) **References Cited**

U.S. PATENT DOCUMENTS

2,324,545	A *	7/1943	Svirsky	4/295
3,402,407	A *	9/1968	Andrews	4/293
D317,817	S *	6/1991	Stairs, Jr.	D23/254
D372,519	S *	8/1996	Jones	D23/261
5,661,462	A *	8/1997	Shrewsbury-Gee	340/618
D440,639	S *	4/2001	Donnelly	D23/260
7,096,522	B2 *	8/2006	Hirtriter	4/694
D598,075	S *	8/2009	Uhl	D23/261
2002/0047784	A1 *	4/2002	Dunnett	340/618
2004/0107497	A1 *	6/2004	Hirtriter	4/694
2010/0005581	A1 *	1/2010	McAlpine	4/291

* cited by examiner

1 Claim, 2 Drawing Sheets



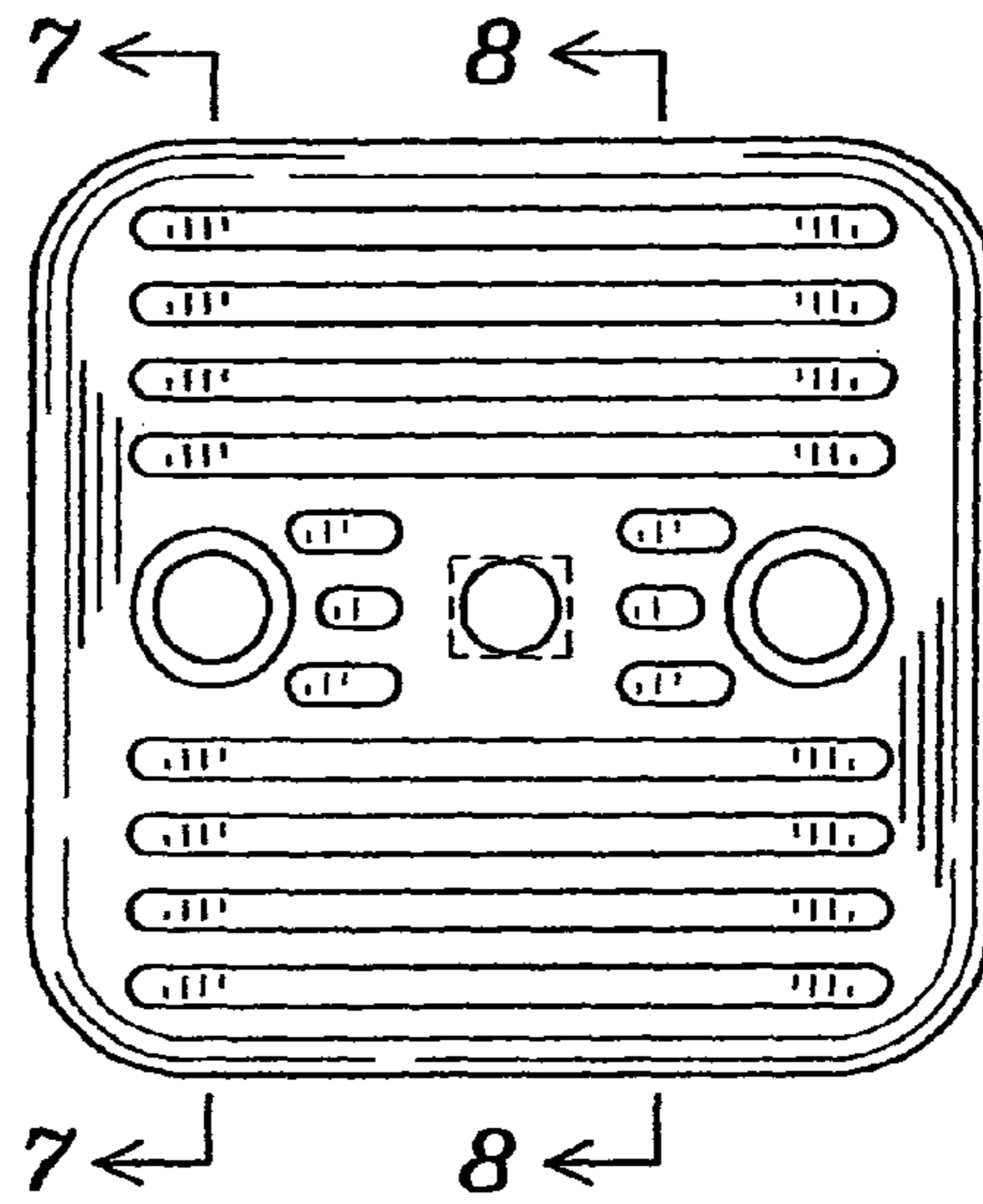


FIG. 1

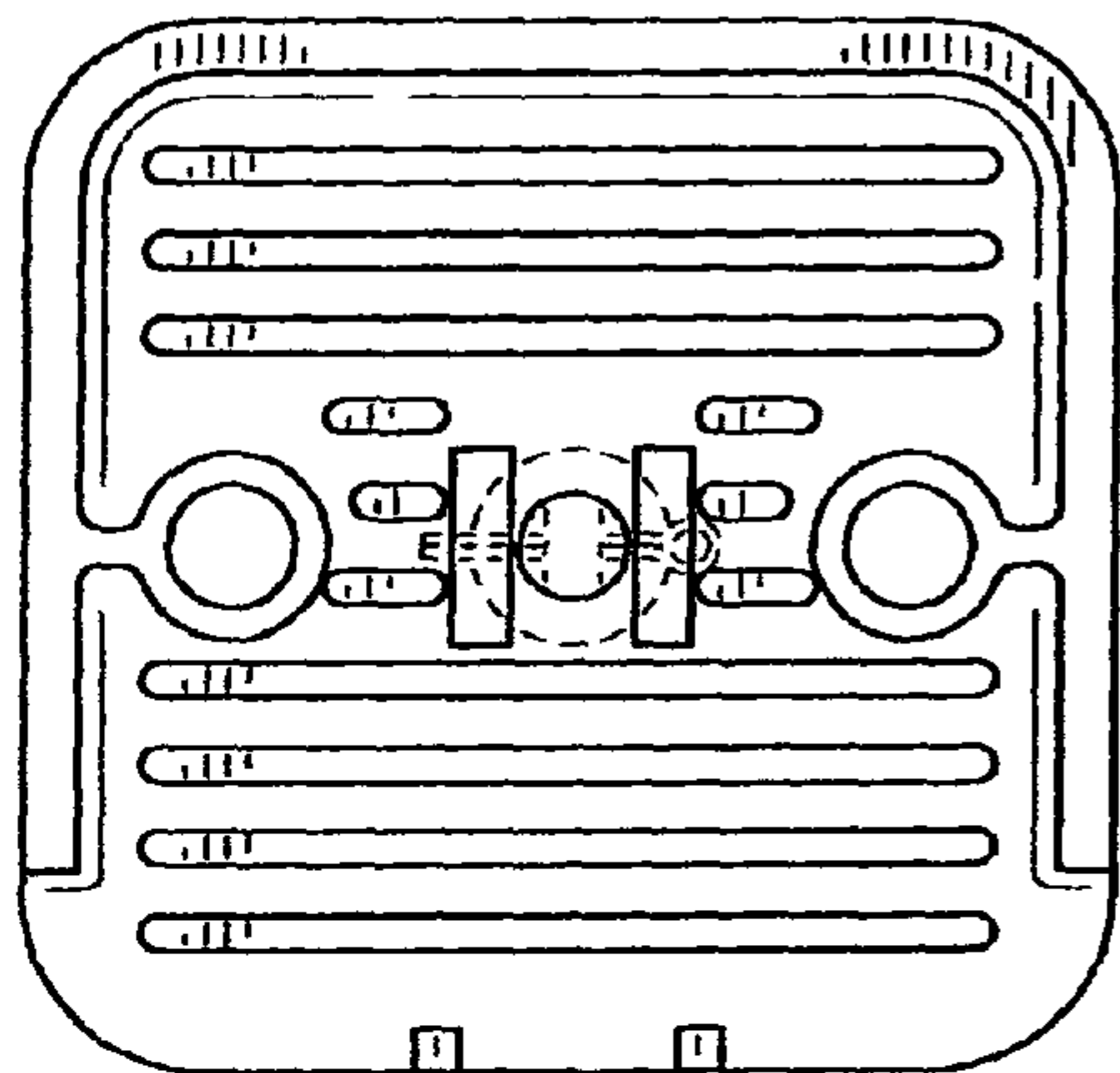


FIG. 2

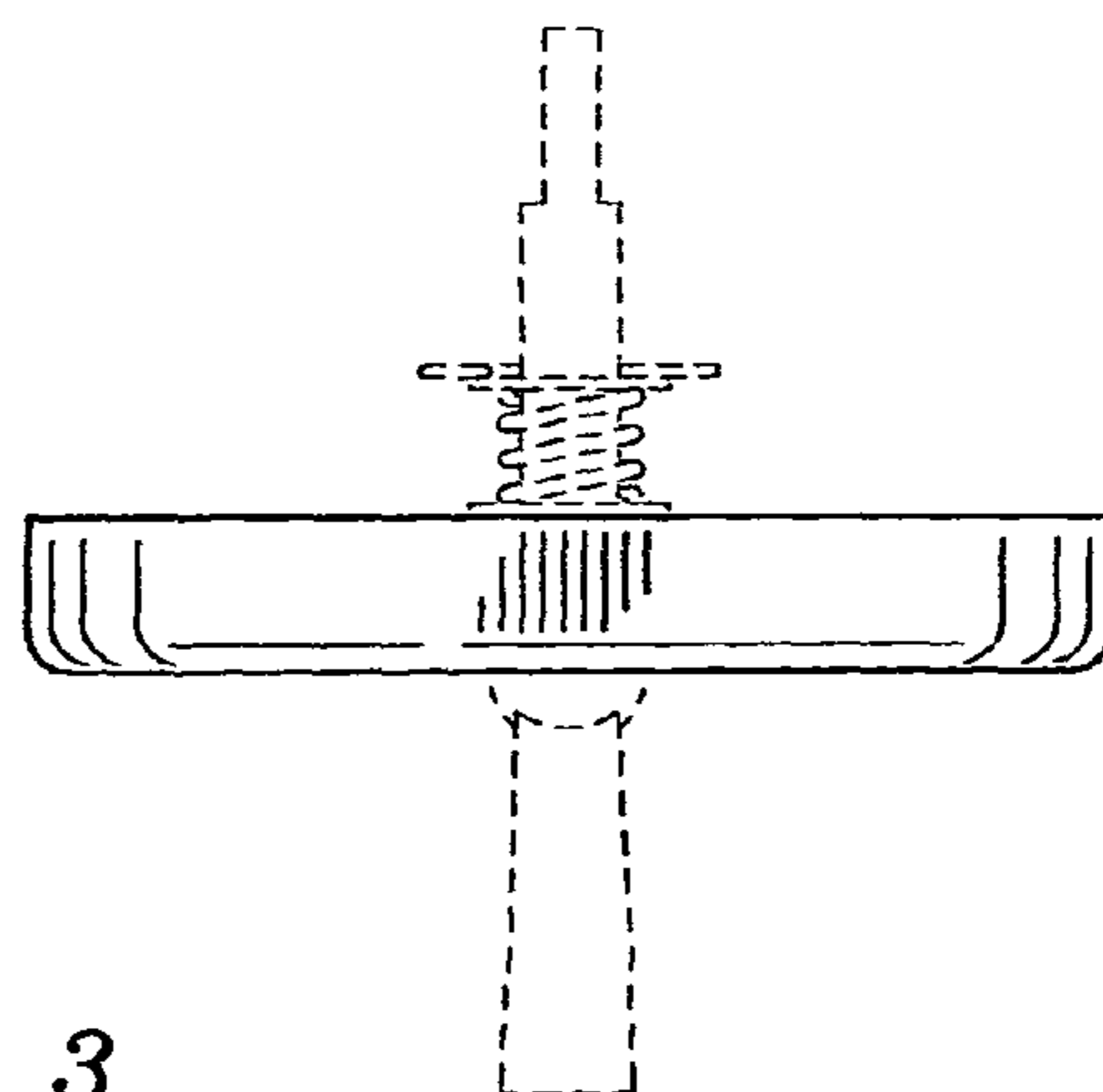


FIG. 3

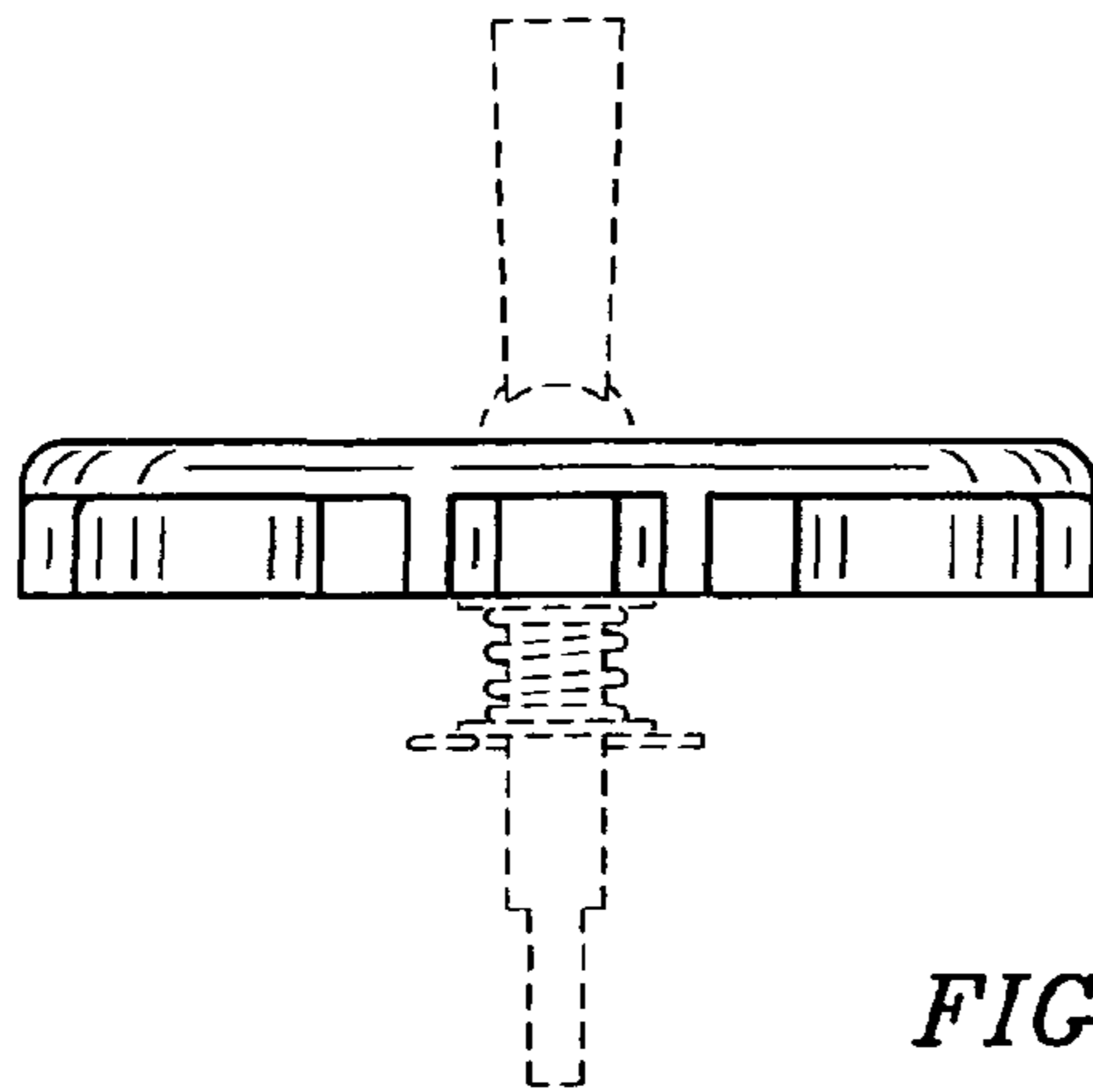


FIG. 4

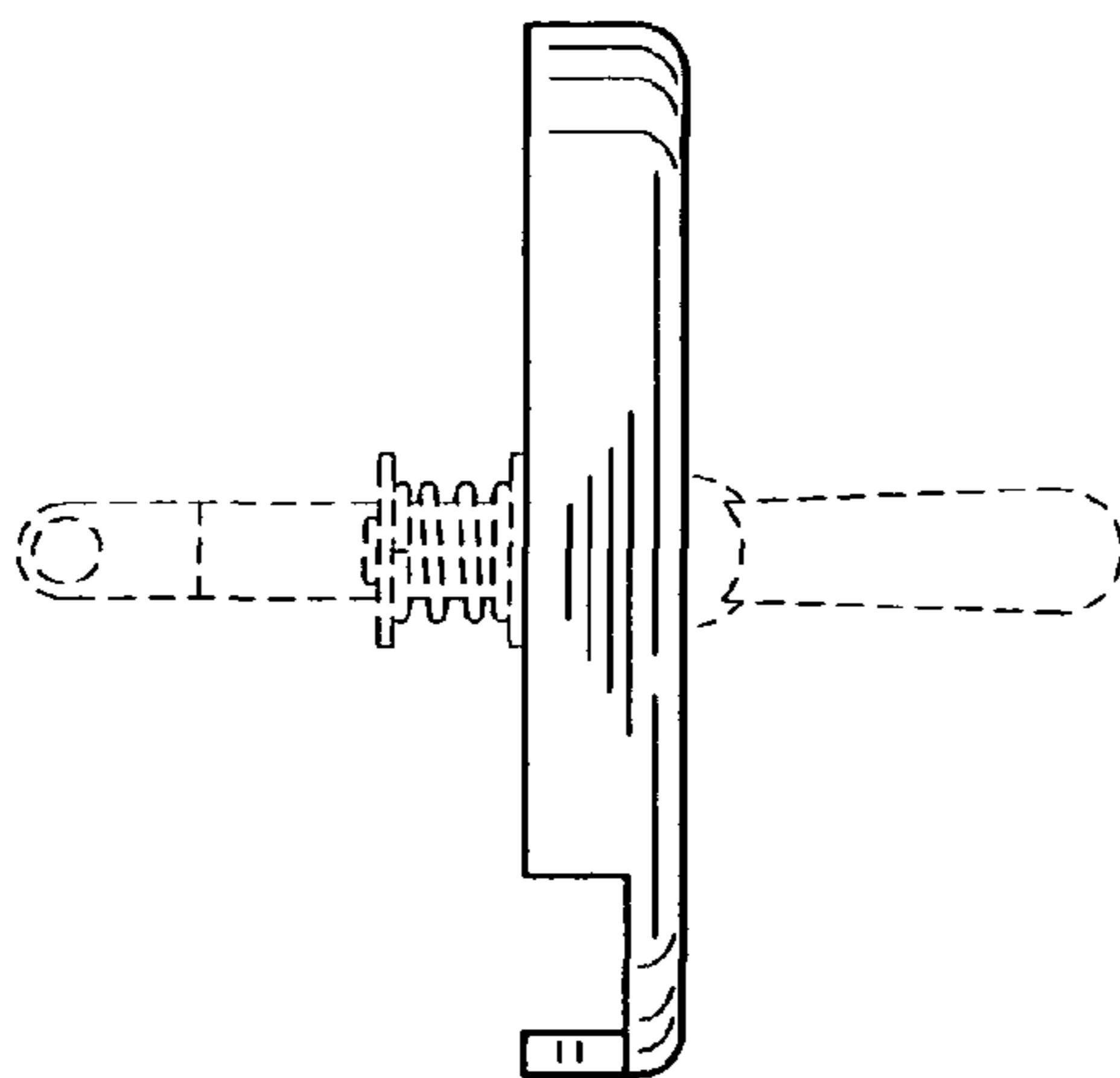


FIG. 5

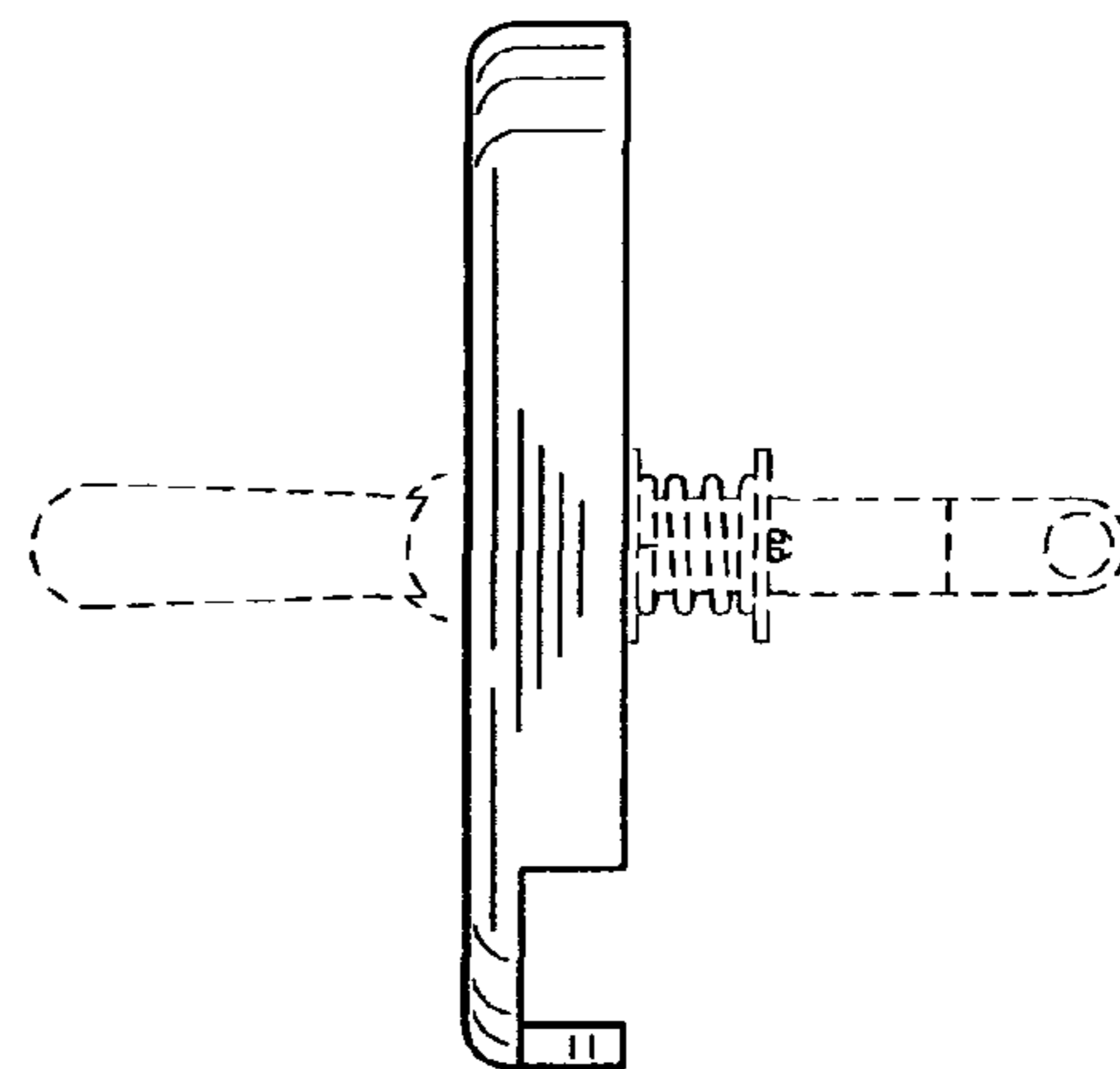


FIG. 6

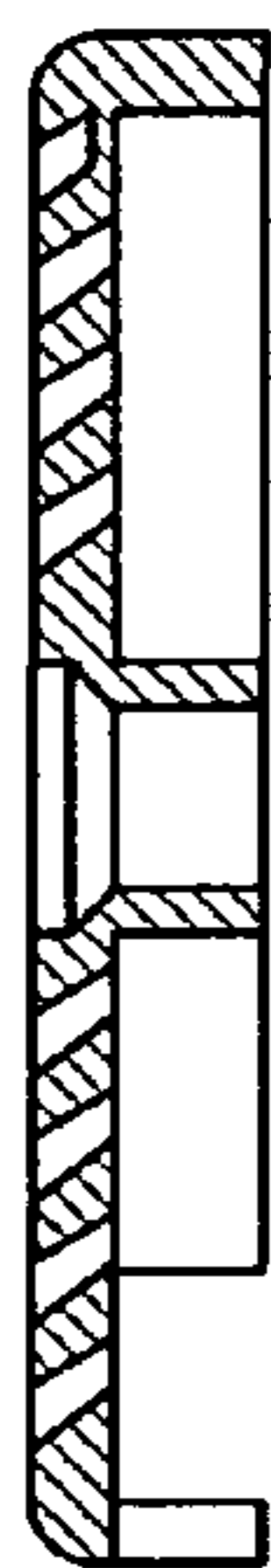


FIG. 7

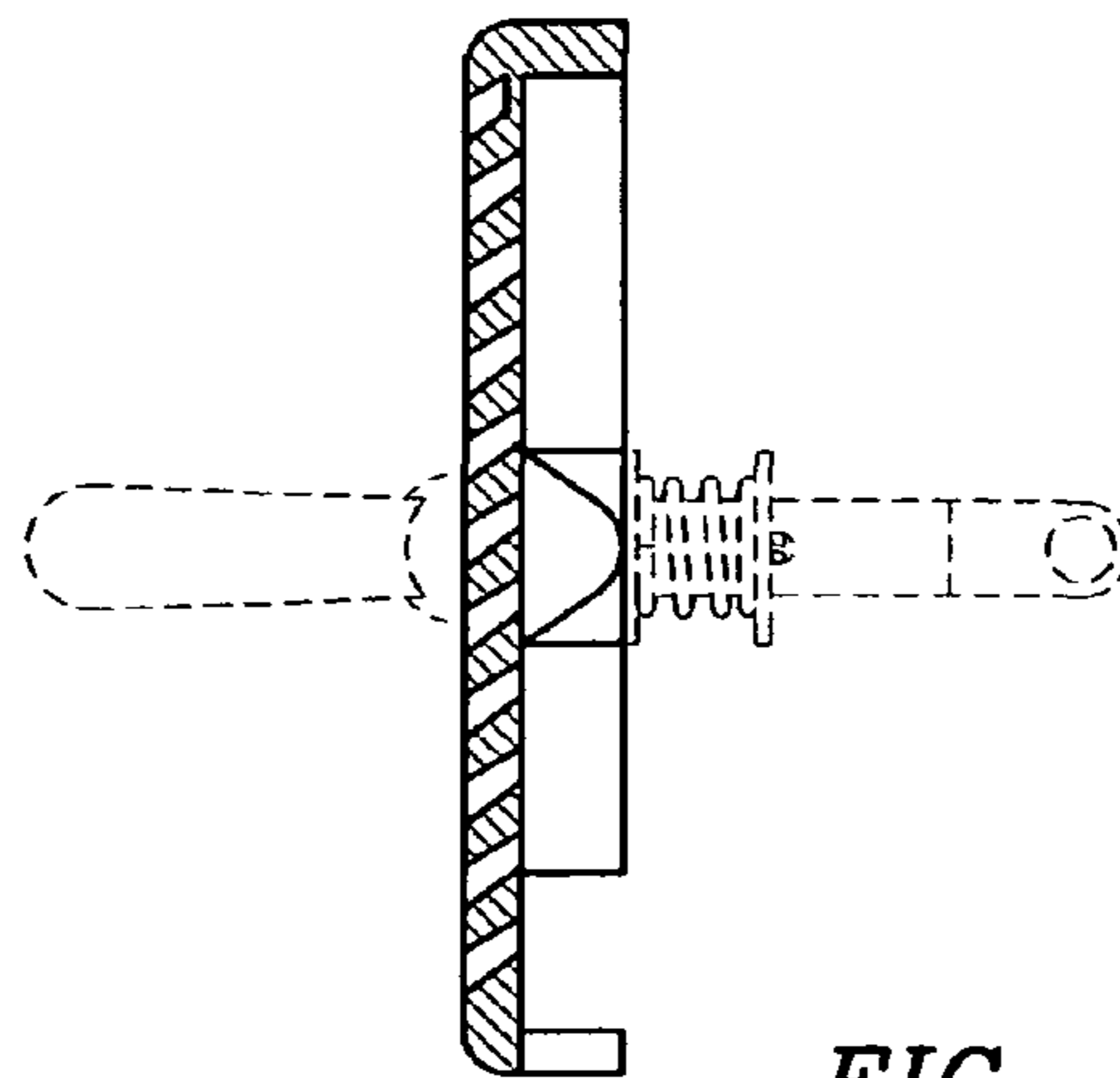


FIG. 8