



US00D673655S

(12) **United States Design Patent**  
**Morishita**

(10) **Patent No.:** **US D673,655 S**  
(45) **Date of Patent:** **\*\* Jan. 1, 2013**

(54) **SUPPORT STAND FOR A HOLLOW FIBER  
MEMBRANE MODULE**

D460,417 S \* 7/2002 Wood ..... D13/147  
D495,662 S \* 9/2004 Chawgo ..... D13/156  
D581,777 S \* 12/2008 Huang ..... D8/397

(75) Inventor: **Noriyuki Morishita**, Tokyo (JP)

\* cited by examiner

(73) Assignee: **Asahi Kasei Chemicals Corporation**,  
Tokyo (JP)

*Primary Examiner* — Eric Goodman  
(74) *Attorney, Agent, or Firm* — Greenblum & Bernstein  
P.L.C.

(\*\*) Term: **14 Years**

(57) **CLAIM**

(21) Appl. No.: **29/385,729**

I claim the ornamental design for a support stand for a hollow  
fiber membrane module, as shown and described.

(22) Filed: **Feb. 18, 2011**

**DESCRIPTION**

(30) **Foreign Application Priority Data**

Aug. 27, 2010 (JP) ..... D2010-020772

(51) **LOC (9) Cl.** ..... **23-01**

(52) **U.S. Cl.** ..... **D23/259**

(58) **Field of Classification Search** ..... D23/259–266;  
210/232, 323.2, 321.72, 321.78, 321.8, 321.88,  
210/321.89, 500.23; D8/382–387, 397; D10/64  
See application file for complete search history.

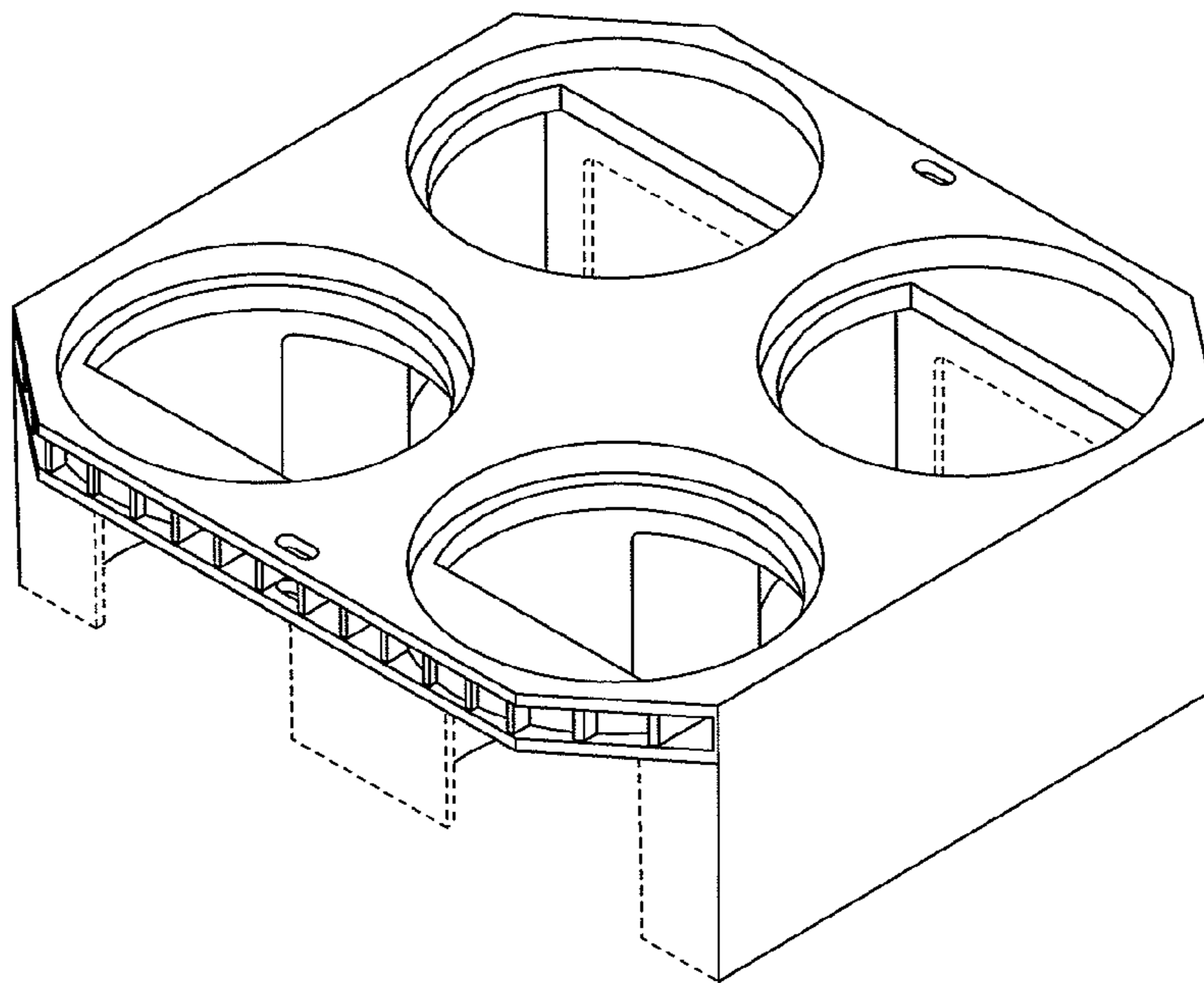
FIG. 1 is a front elevational view of a support stand for a  
hollow fiber membrane module, showing my new design;  
FIG. 2 is a rear elevational view thereof;  
FIG. 3 is a top plan view thereof;  
FIG. 4 is a bottom plan view thereof;  
FIG. 5 is right side elevational view thereof;  
FIG. 6 is a left side elevational view thereof;  
FIG. 7 is a front perspective view thereof;  
FIG. 8 is a rear perspective view thereof;  
FIG. 9 is a sectional view taken along line 9-9 in FIG. 2;  
FIG. 10 is a sectional view taken along line 10-10 in FIG. 2;  
FIG. 11 is a sectional view taken along line 11-11 in FIG. 2;  
FIG. 12 is a sectional view taken along line 12-12 in FIG. 2;  
FIG. 13 is a sectional view taken along line 13-13 in FIG. 2;  
FIG. 14 is a sectional view taken along line 14-14 in FIG. 2;  
and,  
FIG. 15 is a perspective view showing the support stand for a  
hollow fiber membrane module of my new design in use.  
The broken line showing in FIG. 15 is for the purpose of  
illustrating environment and forms no part of the claimed  
design.

(56) **References Cited**

**U.S. PATENT DOCUMENTS**

4,373,767 A \* 2/1983 Cairns ..... 439/275  
D367,036 S \* 2/1996 Lee ..... D13/133  
5,548,088 A \* 8/1996 Gray et al. .... 174/74 R  
D376,580 S \* 12/1996 Lee ..... D13/133  
5,651,698 A \* 7/1997 Locati et al. .... 439/578  
D432,087 S \* 10/2000 Malak ..... D13/154  
D432,088 S \* 10/2000 Malak ..... D13/154  
D432,089 S \* 10/2000 Malak ..... D13/154  
D432,090 S \* 10/2000 Malak ..... D13/154  
D432,993 S \* 10/2000 Palinkas ..... D13/154  
D460,047 S \* 7/2002 Ching ..... D13/147

**1 Claim, 15 Drawing Sheets**



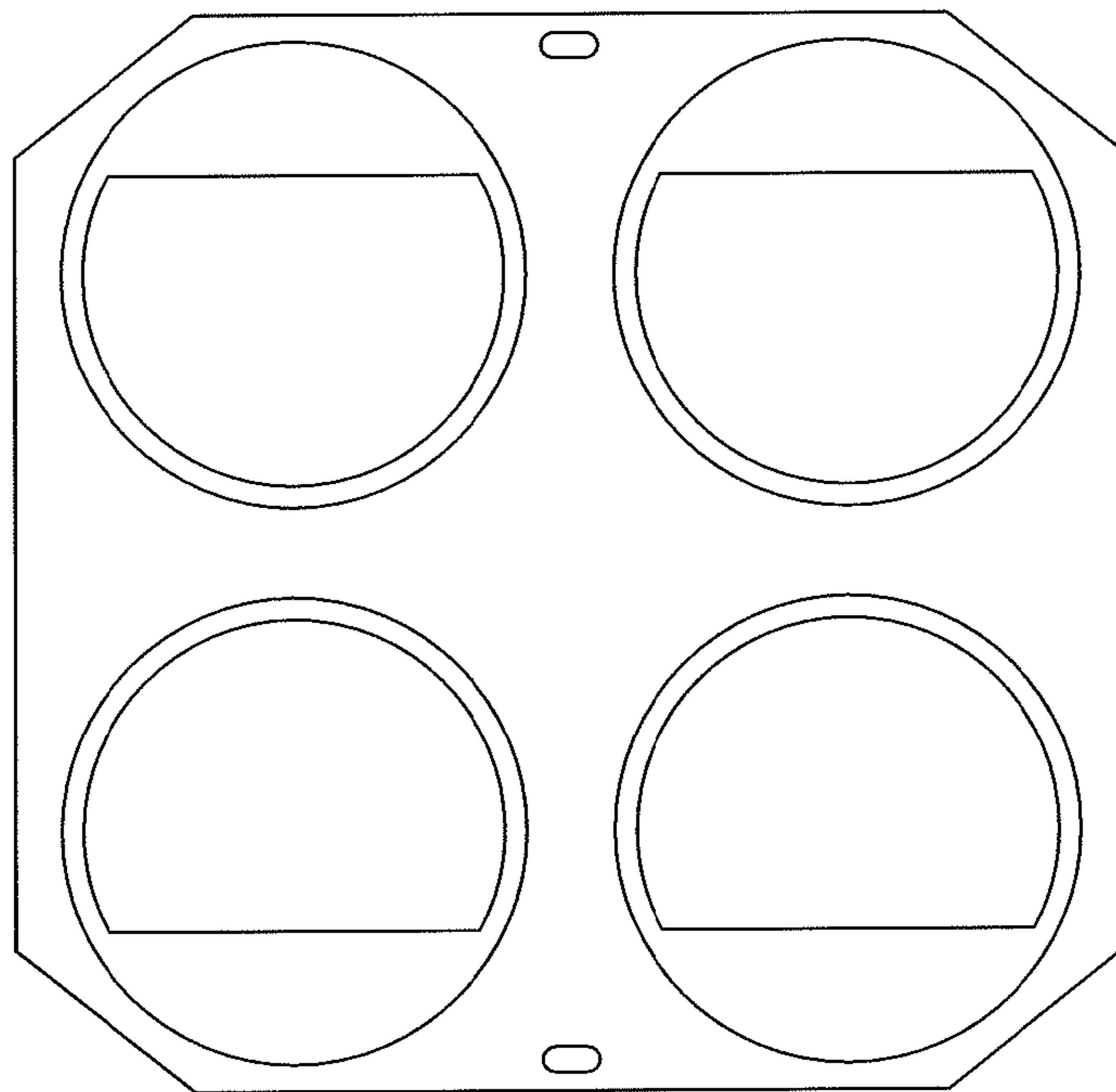


Figure 1

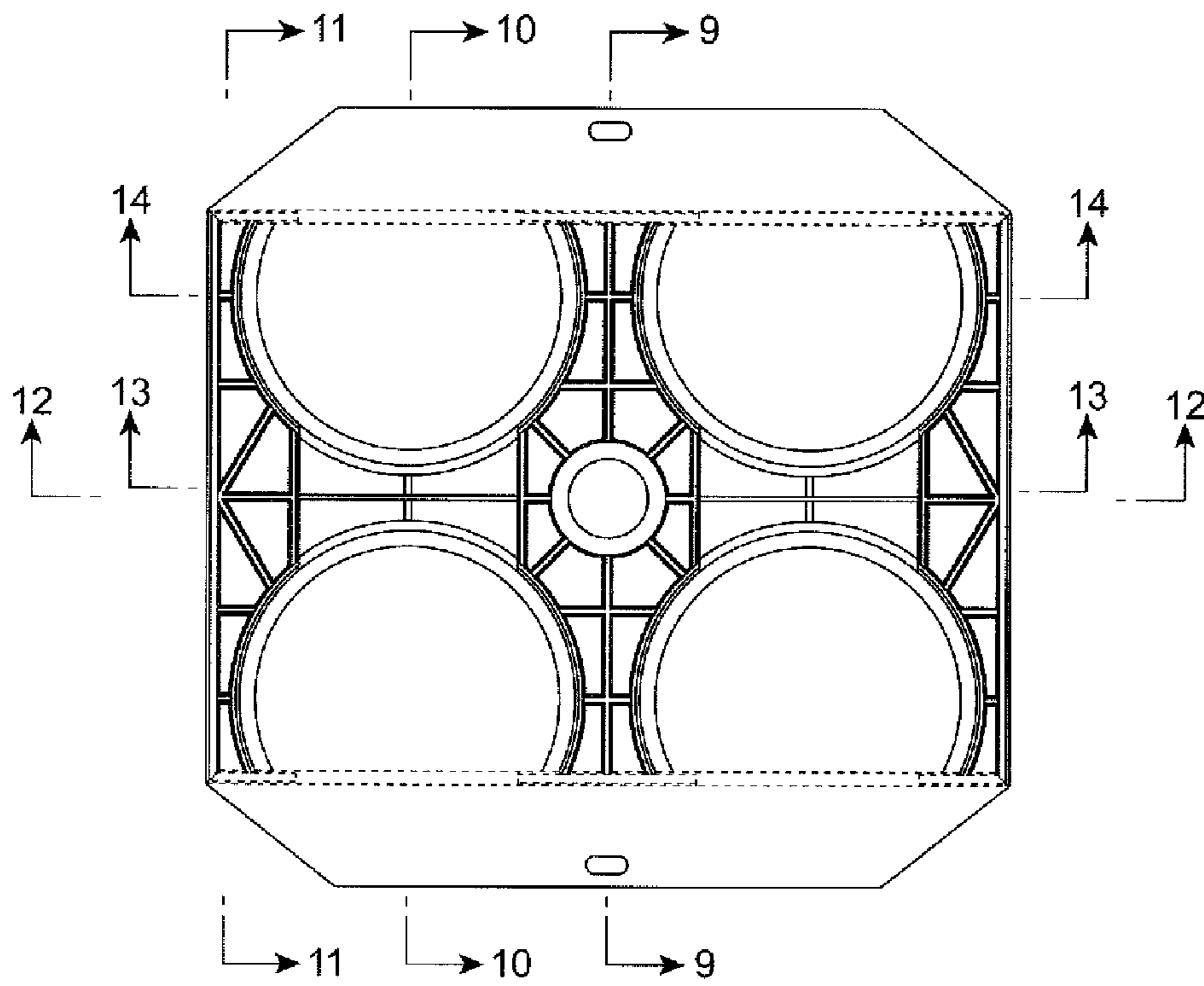


Figure 2

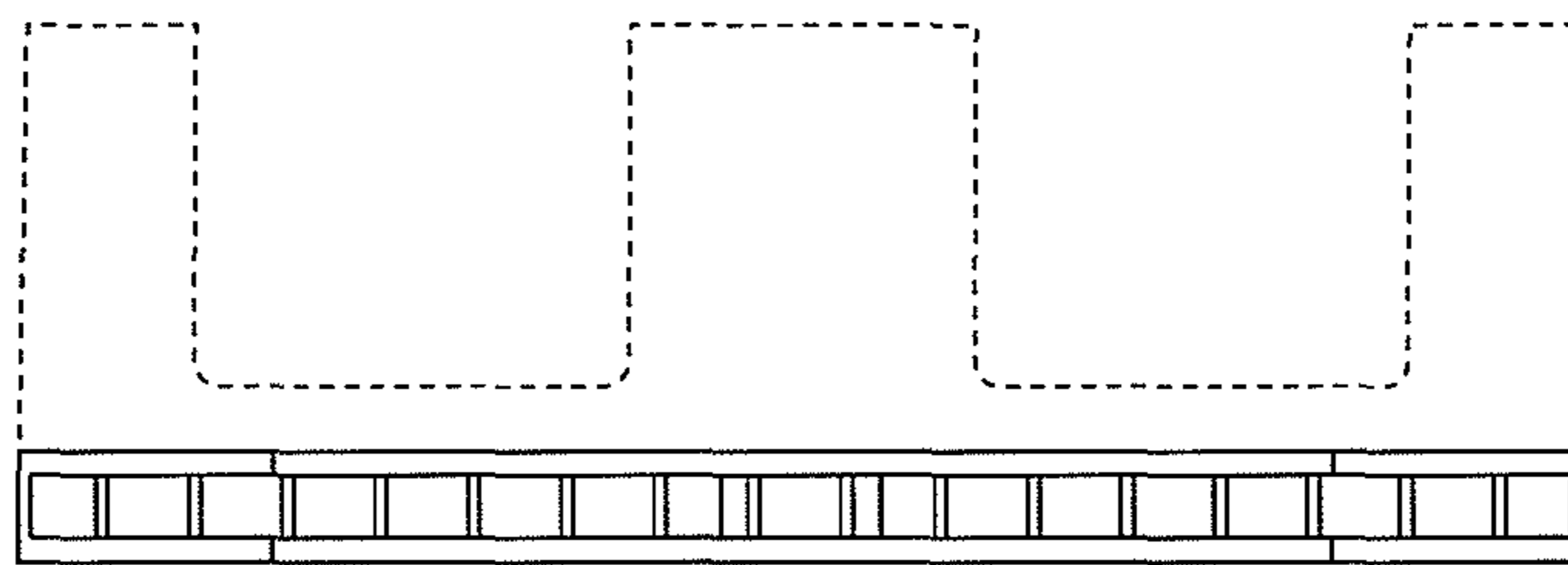


Figure 3

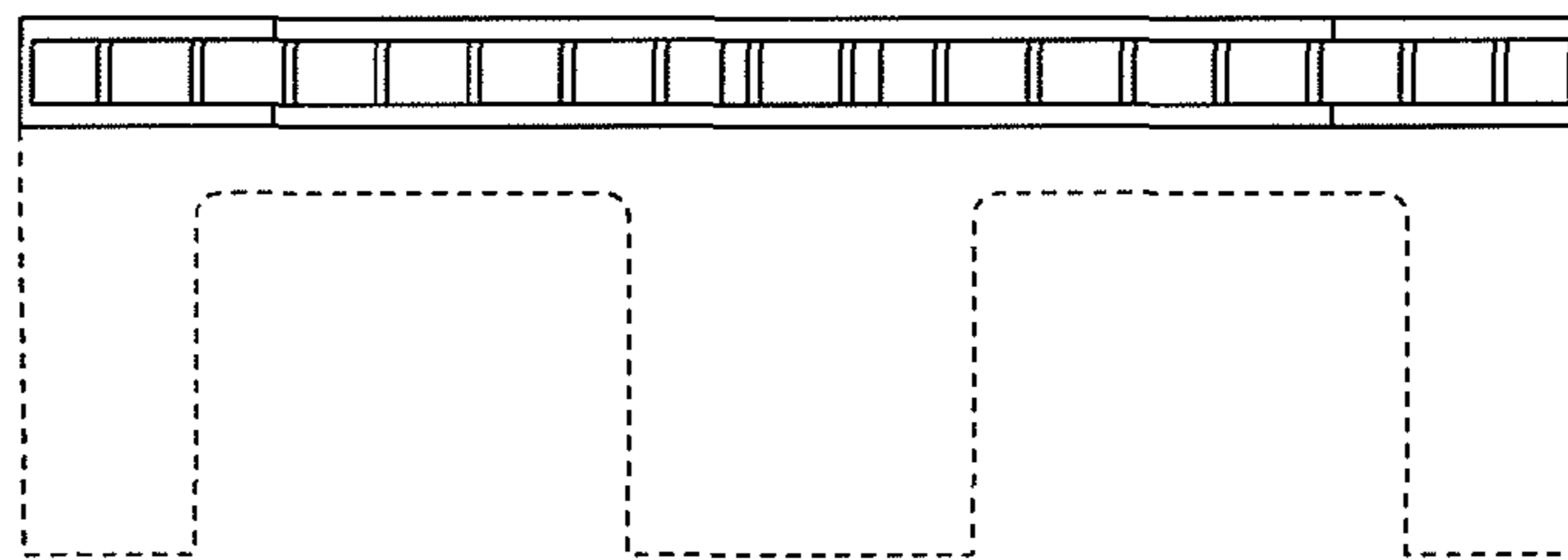


Figure 4

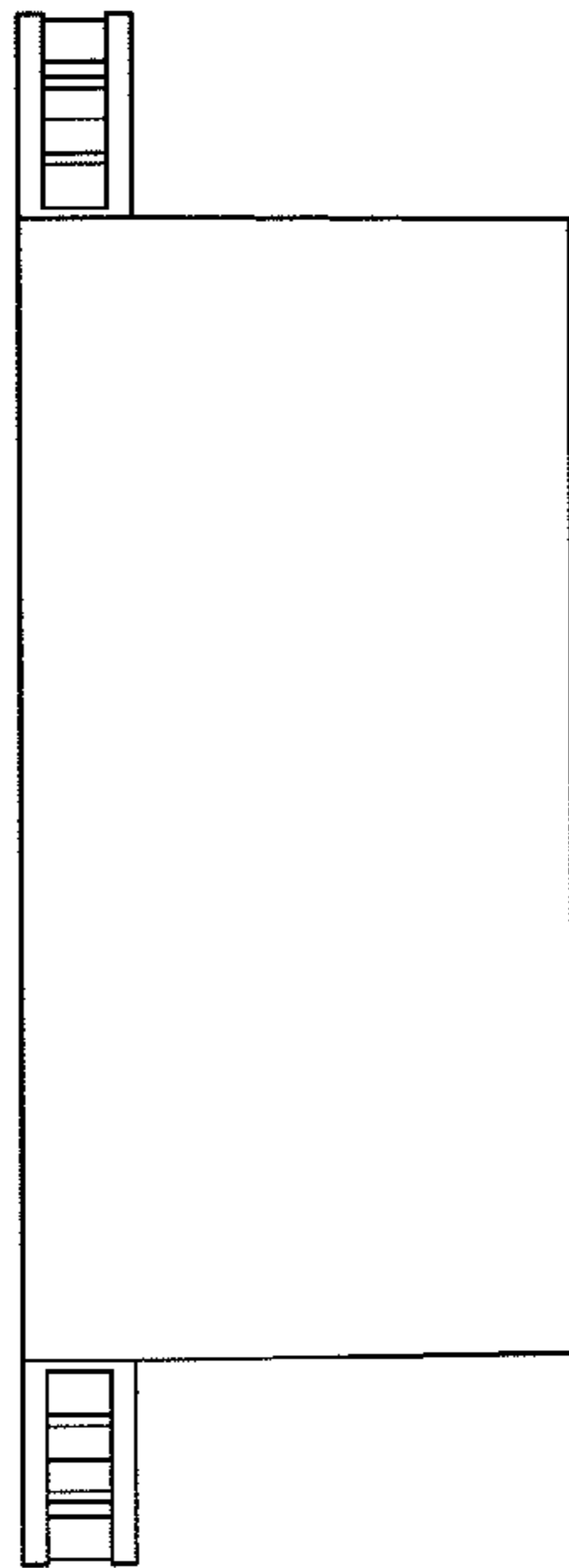


Figure 5

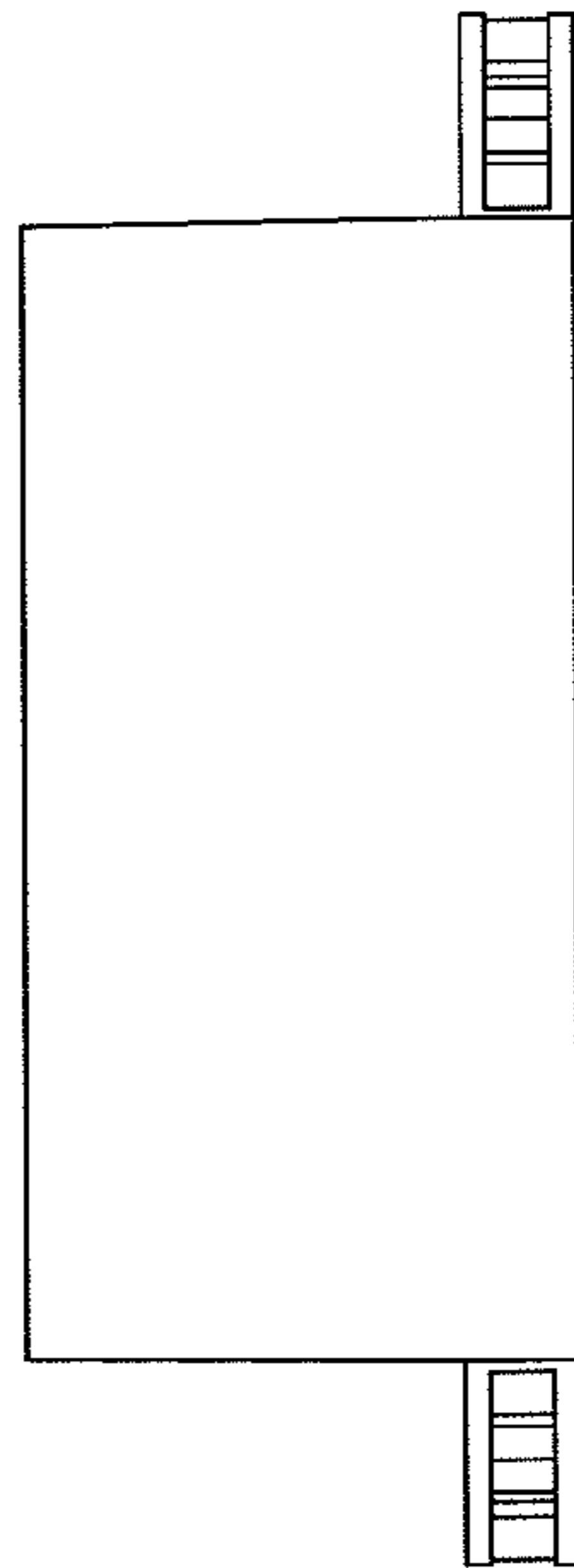


Figure 6

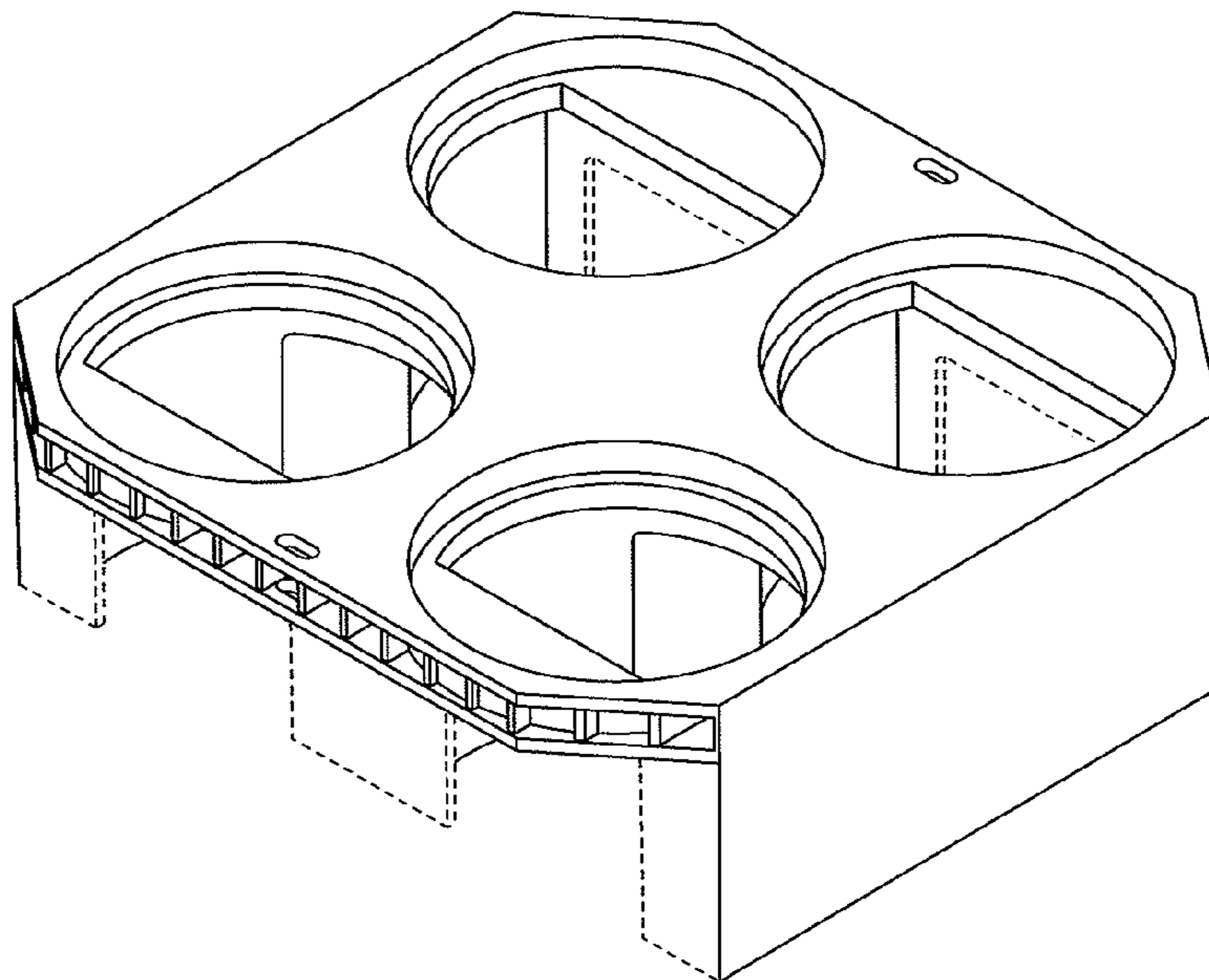


Figure 7



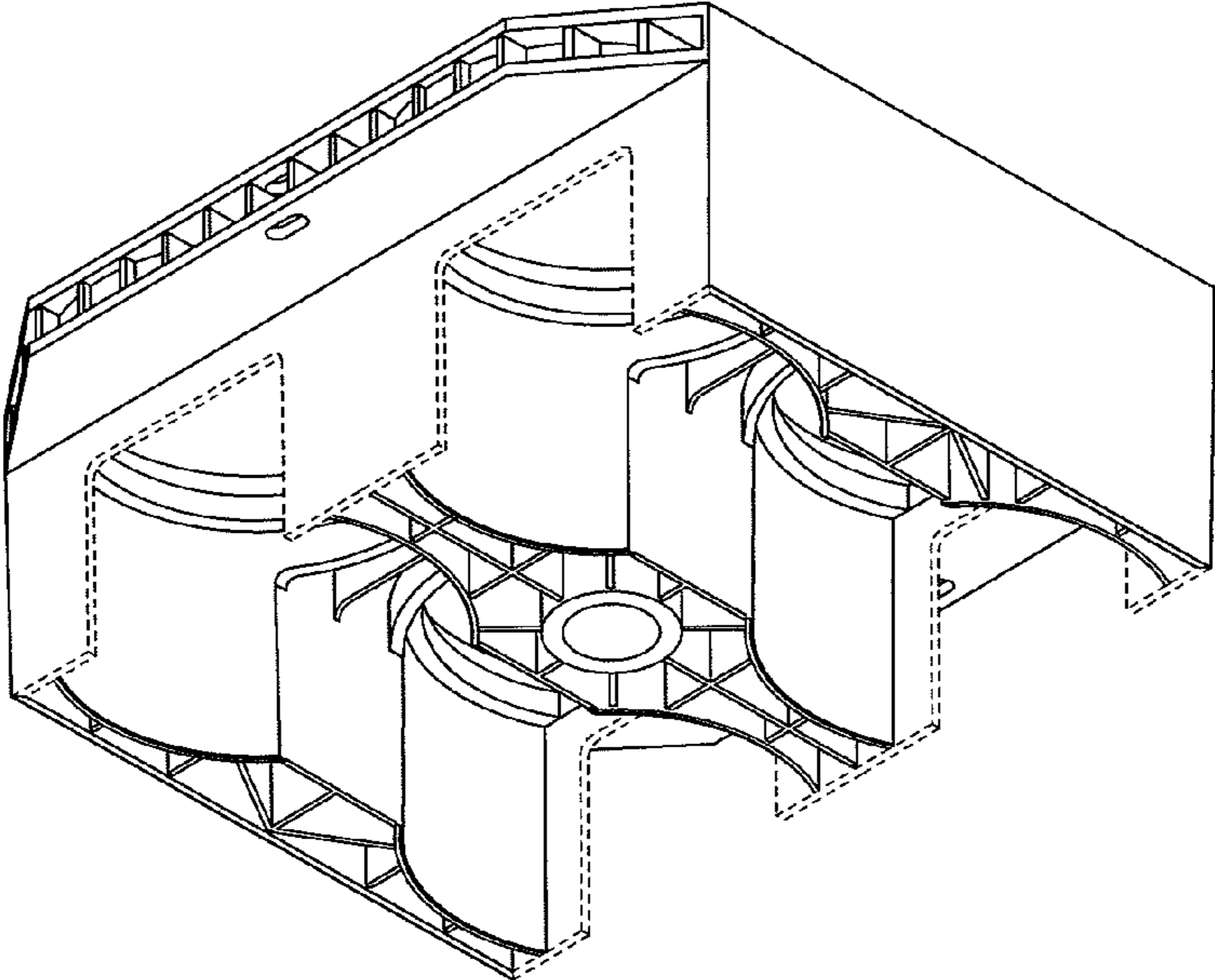


Figure 8

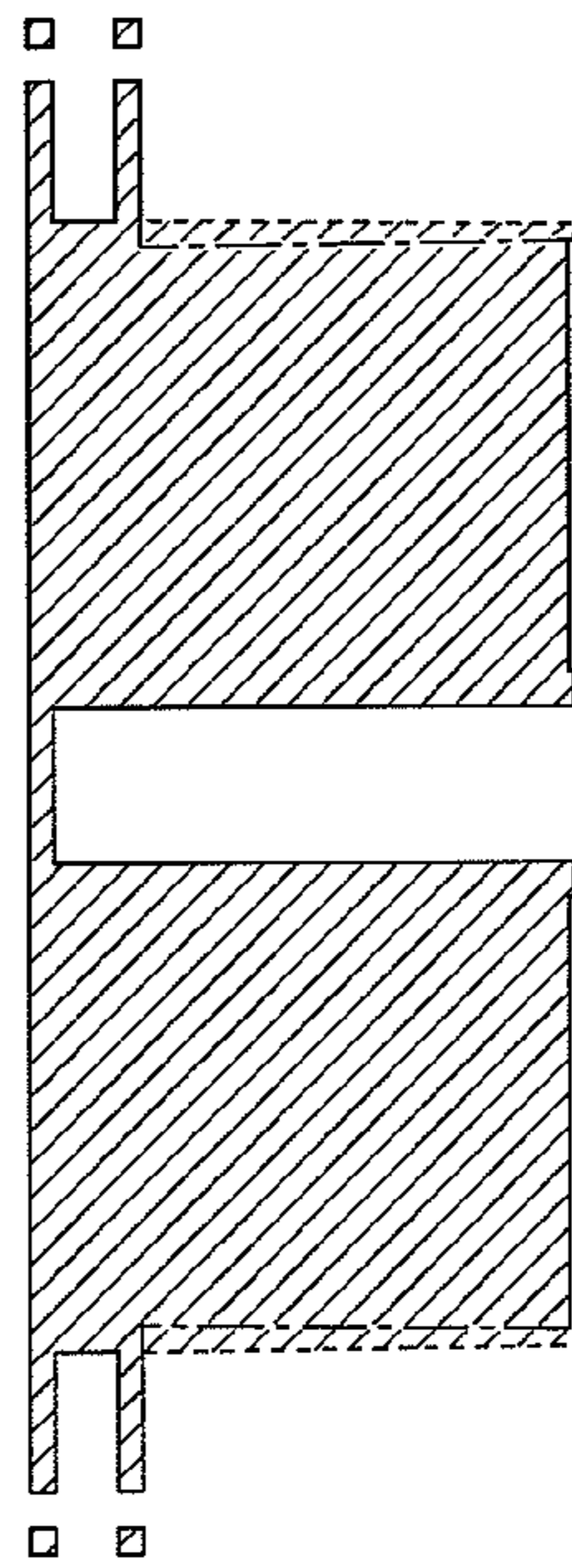


Figure 9

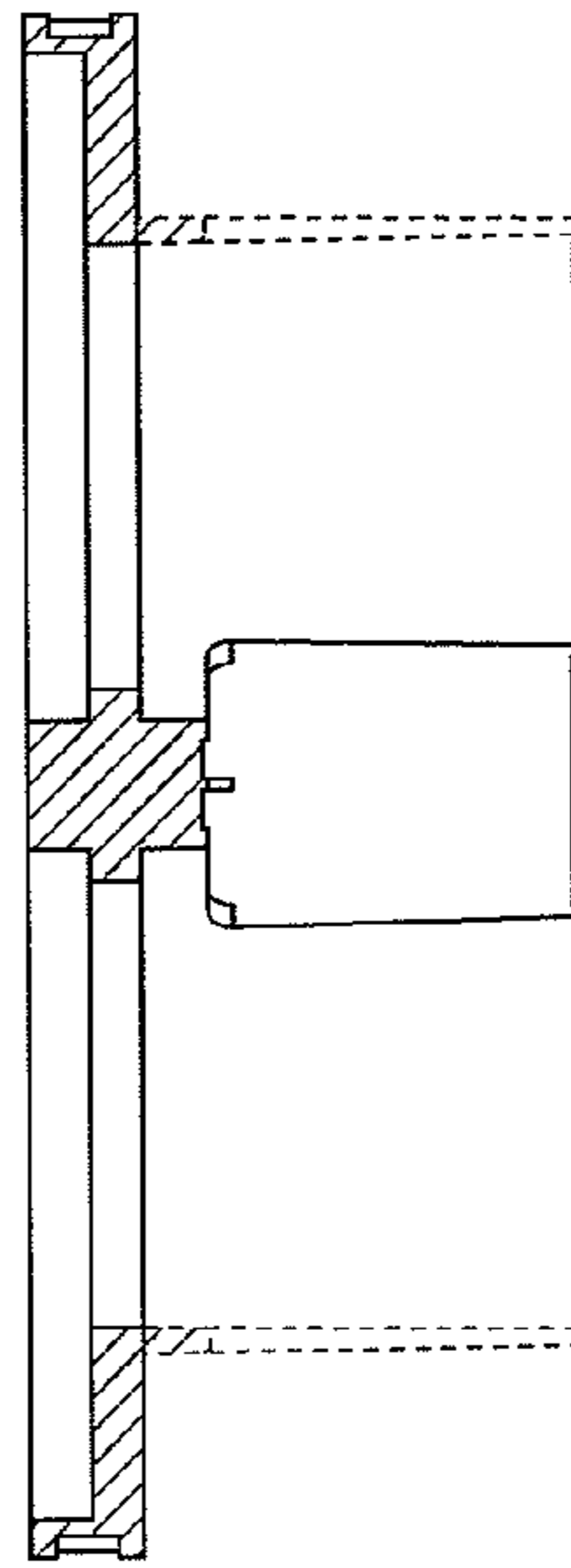


Figure 10

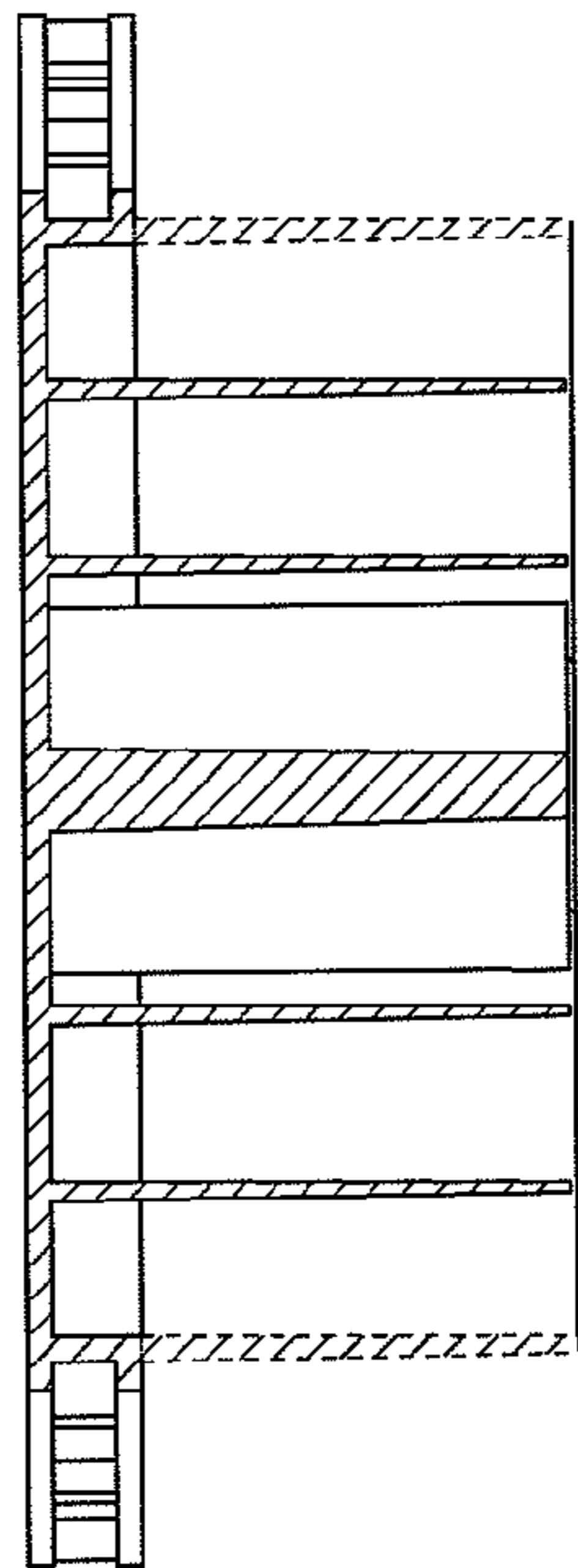


Figure 11

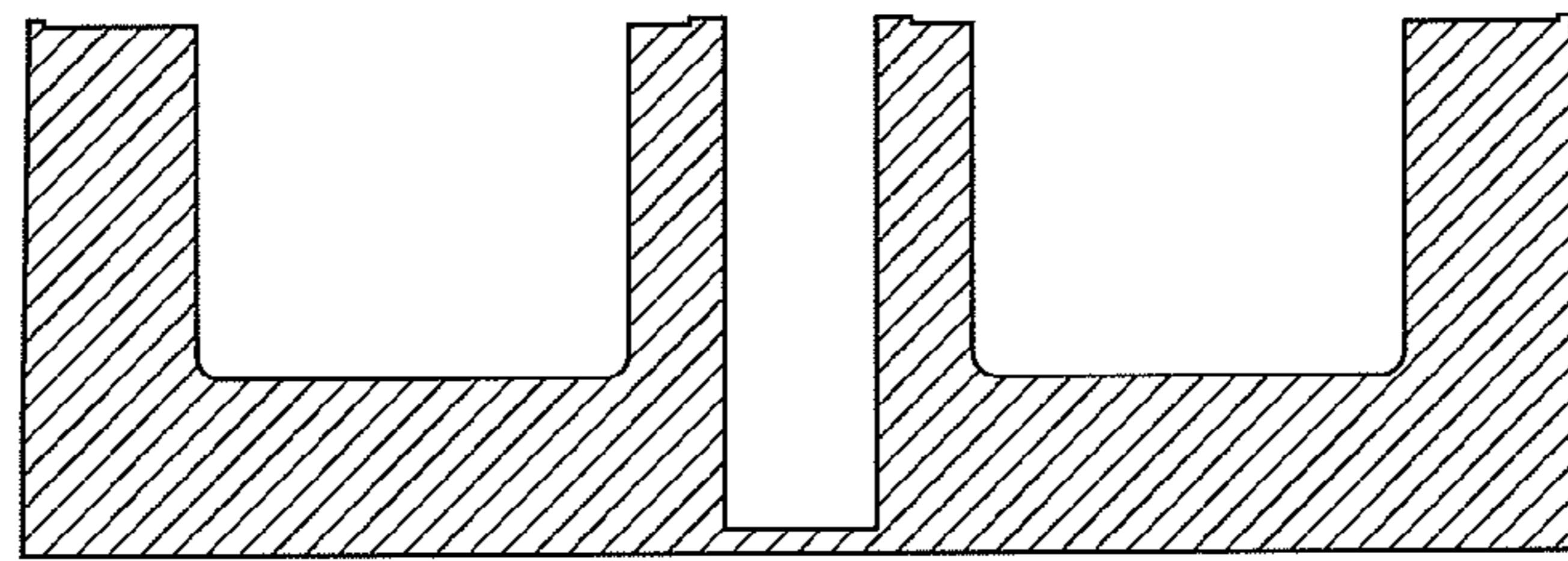


Figure 12

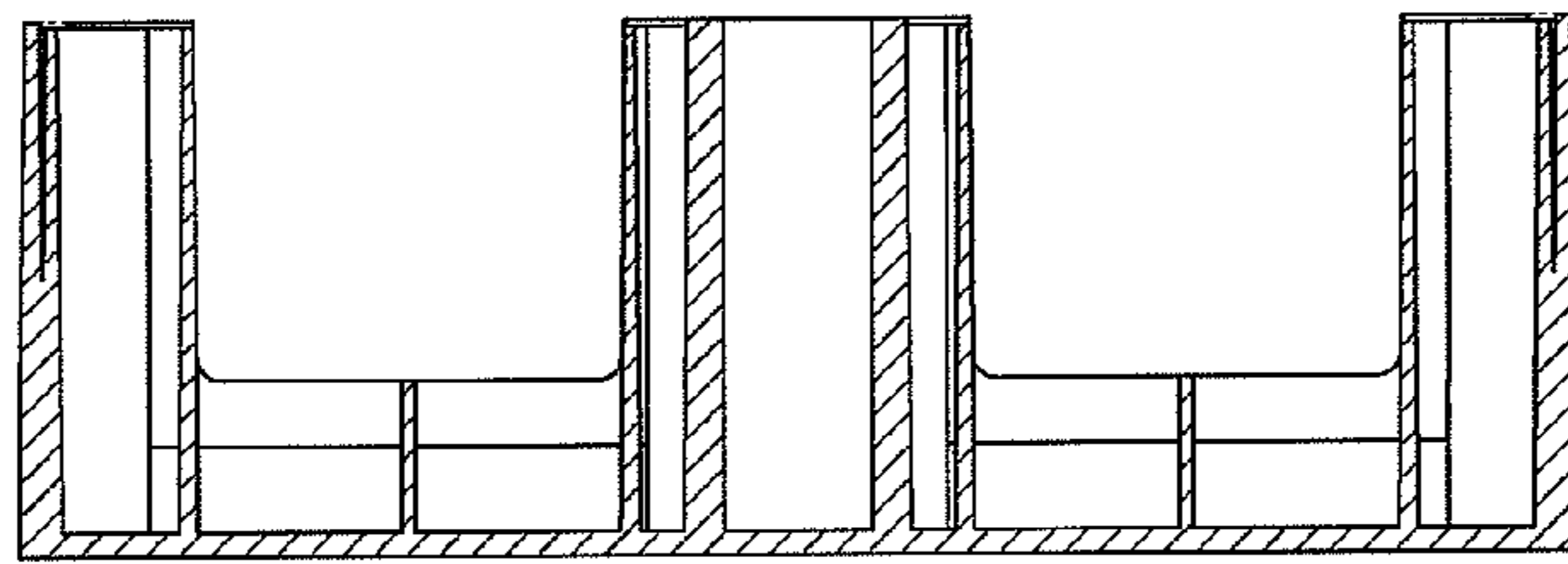


Figure 13

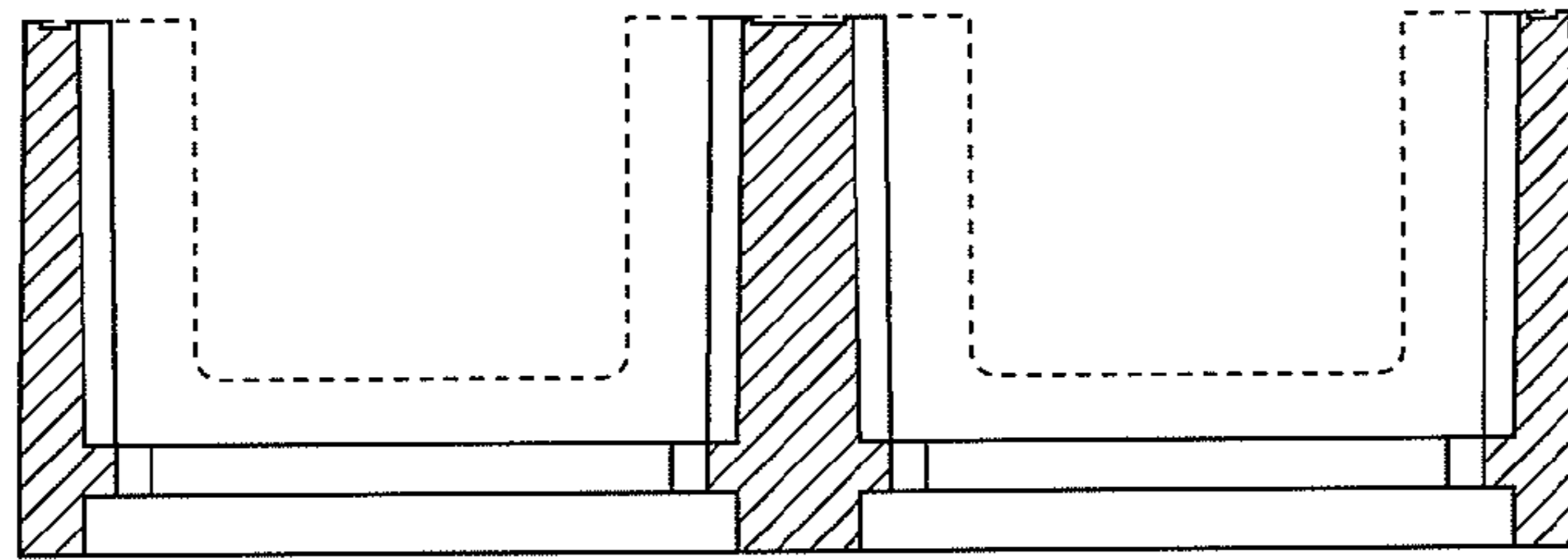


Figure 14

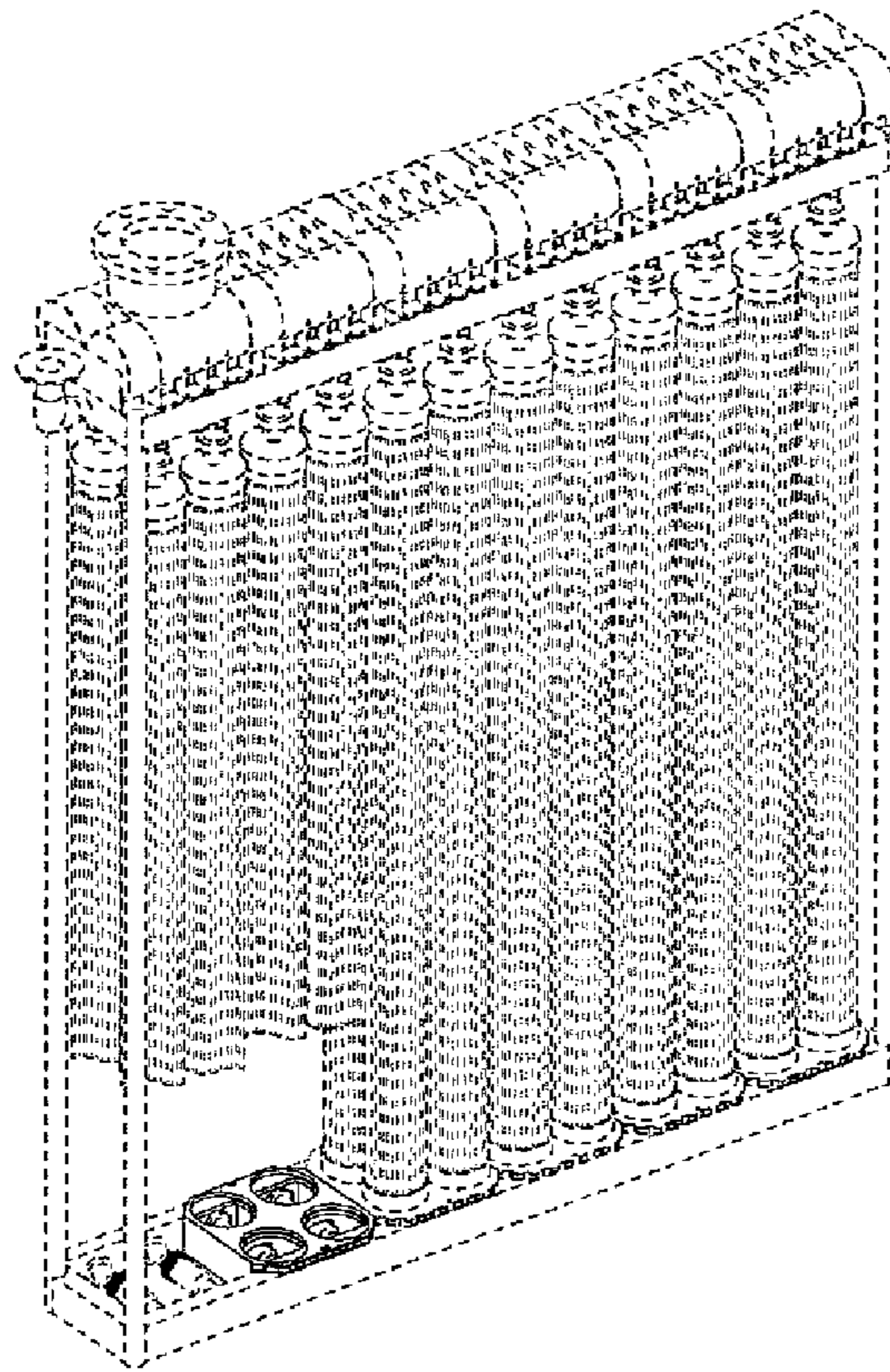


Figure 15