



US00D673653S

(12) **United States Design Patent**
Thomas

(10) **Patent No.:** **US D673,653 S**
(45) **Date of Patent:** **** Jan. 1, 2013**

(54) **FAUCET SET**

(75) **Inventor:** **Carter J. Thomas**, Branchburg, NJ (US)

(73) **Assignee:** **AS IP Holdco, Inc.**, Piscataway, NJ (US)

(**) **Term:** **14 Years**

(21) **Appl. No.:** **29/405,281**

(22) **Filed:** **Oct. 31, 2011**

(51) **LOC (9) Cl.** **23-01**

(52) **U.S. Cl.** **D23/242**

(58) **Field of Classification Search** D23/238,
D23/241-243, 250, 252, 255, 257; 4/675-678;
137/801

See application file for complete search history.

(56) **References Cited**

U.S. PATENT DOCUMENTS

D306,898 S * 3/1990 Funk et al. D23/252
D318,518 S * 7/1991 Schmidt et al. D23/238

D612,910 S * 3/2010 Lammel et al. D23/238
D645,120 S * 9/2011 Lammel et al. D23/238
D646,358 S * 10/2011 Sieger D23/238

* cited by examiner

Primary Examiner — Robert Delehanty

(74) *Attorney, Agent, or Firm* — Flaster/Greenberg P.C.

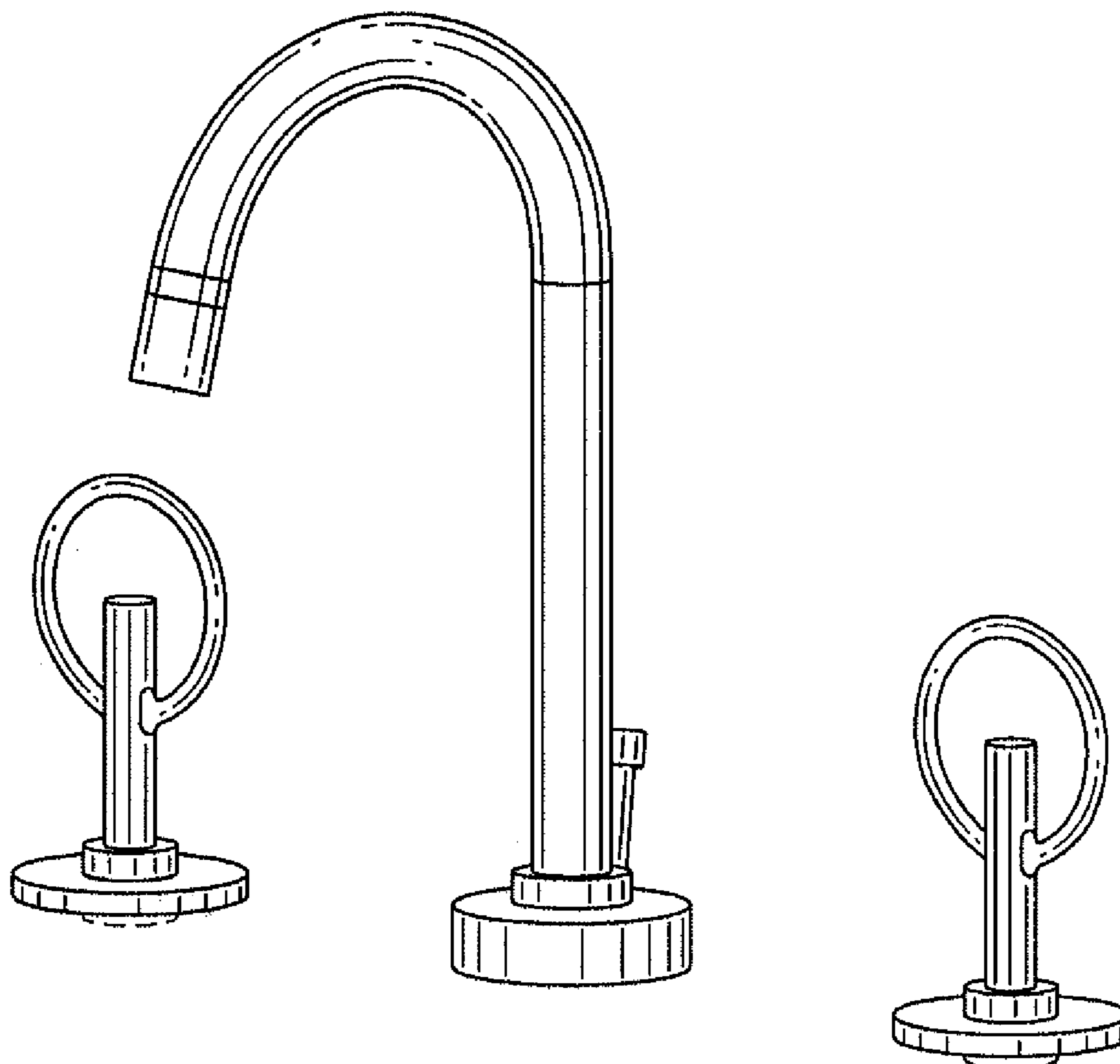
(57) **CLAIM**

The ornamental design for a faucet set, as shown and described.

DESCRIPTION

FIG. 1 is a perspective view of a faucet set;
FIG. 2 is a right side view of the faucet set of FIG. 1;
FIG. 3 is a left side view of the faucet set of FIG. 1;
FIG. 4 is a front view of the faucet set of FIG. 1;
FIG. 5 is a rear view of the faucet set of FIG. 1;
FIG. 6 is a top plan view of the faucet set of FIG. 1; and,
FIG. 7 is a bottom plan view of the faucet set of FIG. 1.
The broken lines shown in the drawing are for the purpose of illustrating interior structures that may be included in the faucet and form no part of the claimed design.

1 Claim, 4 Drawing Sheets



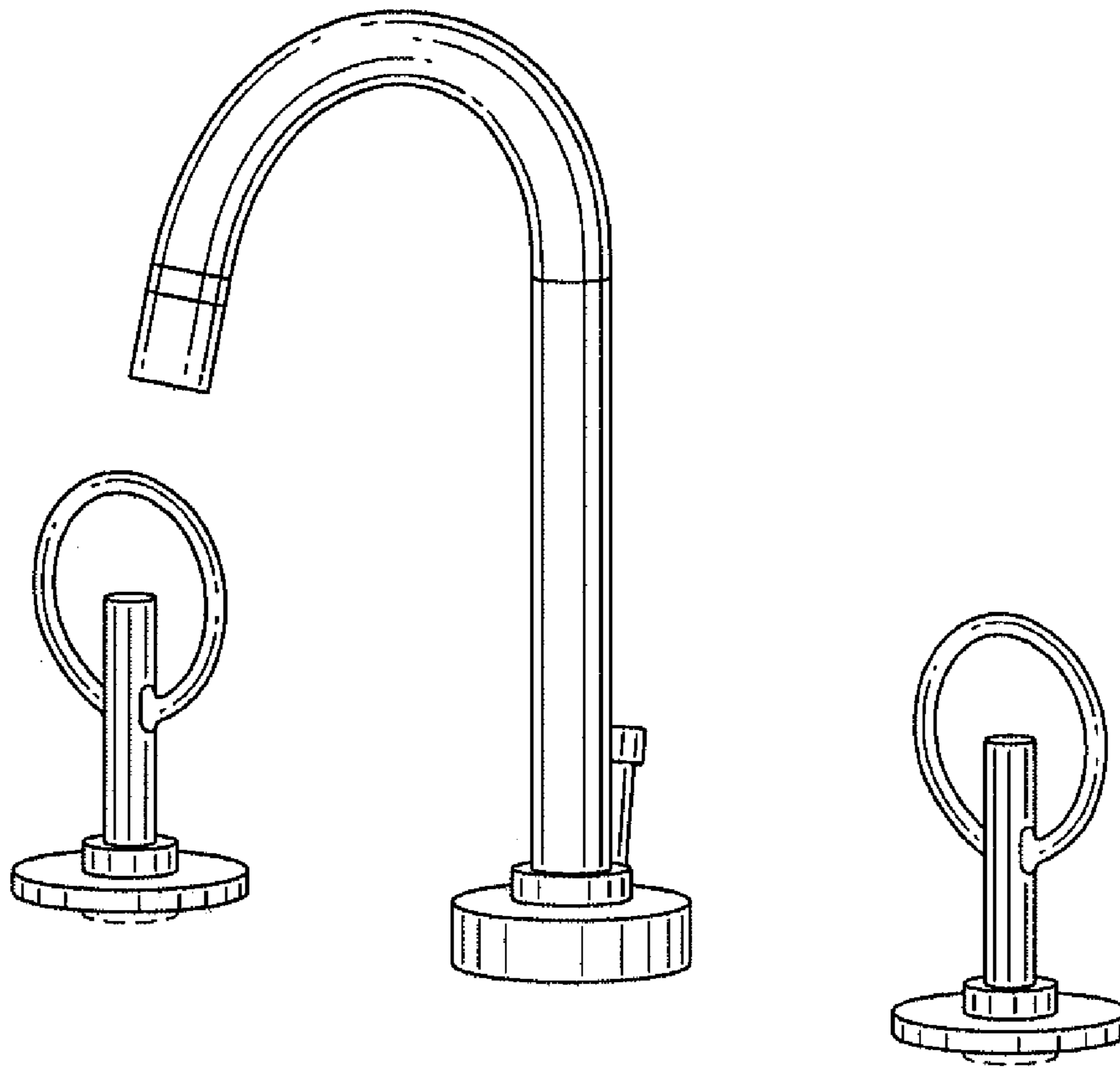


FIG. 1

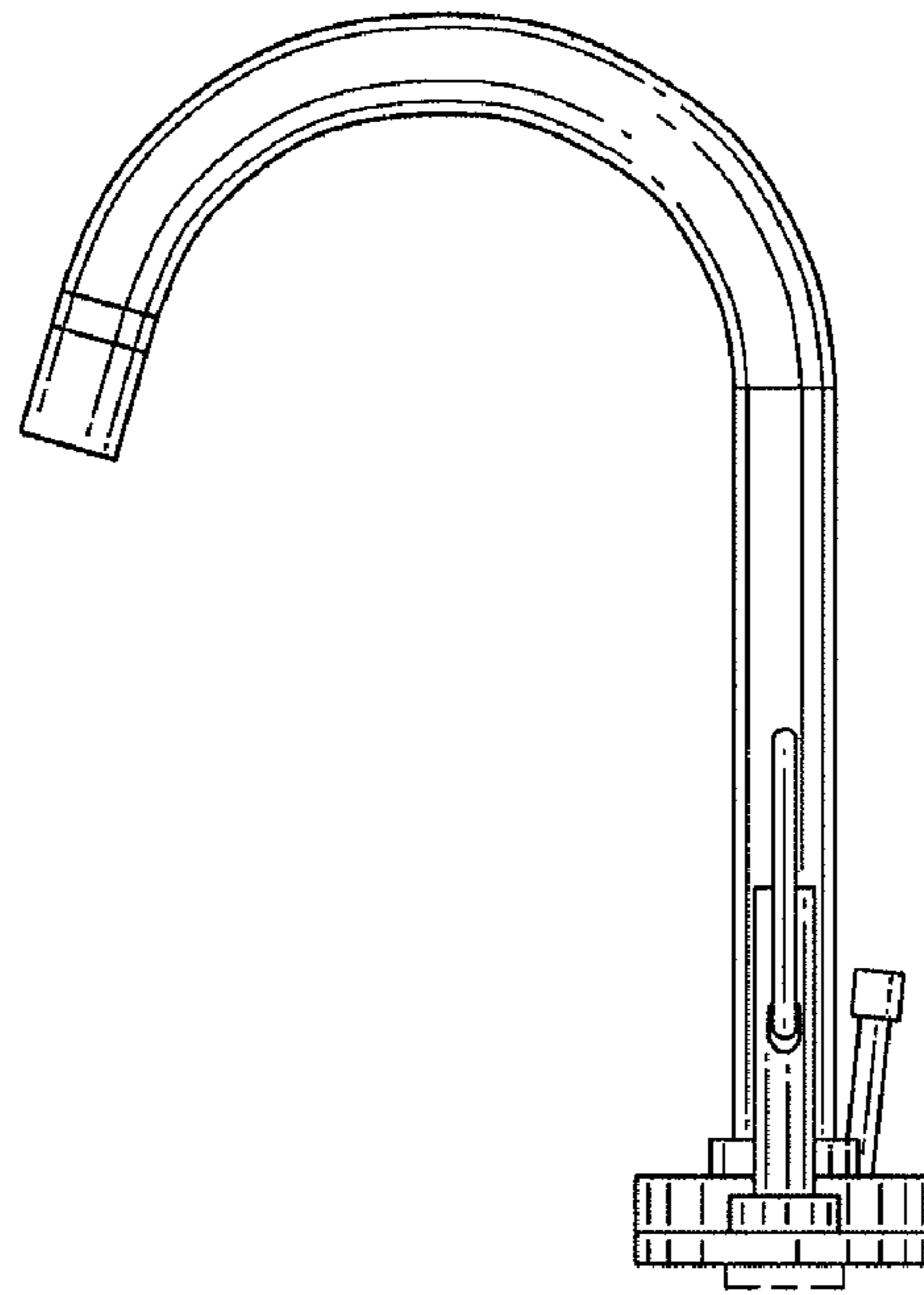


FIG. 2

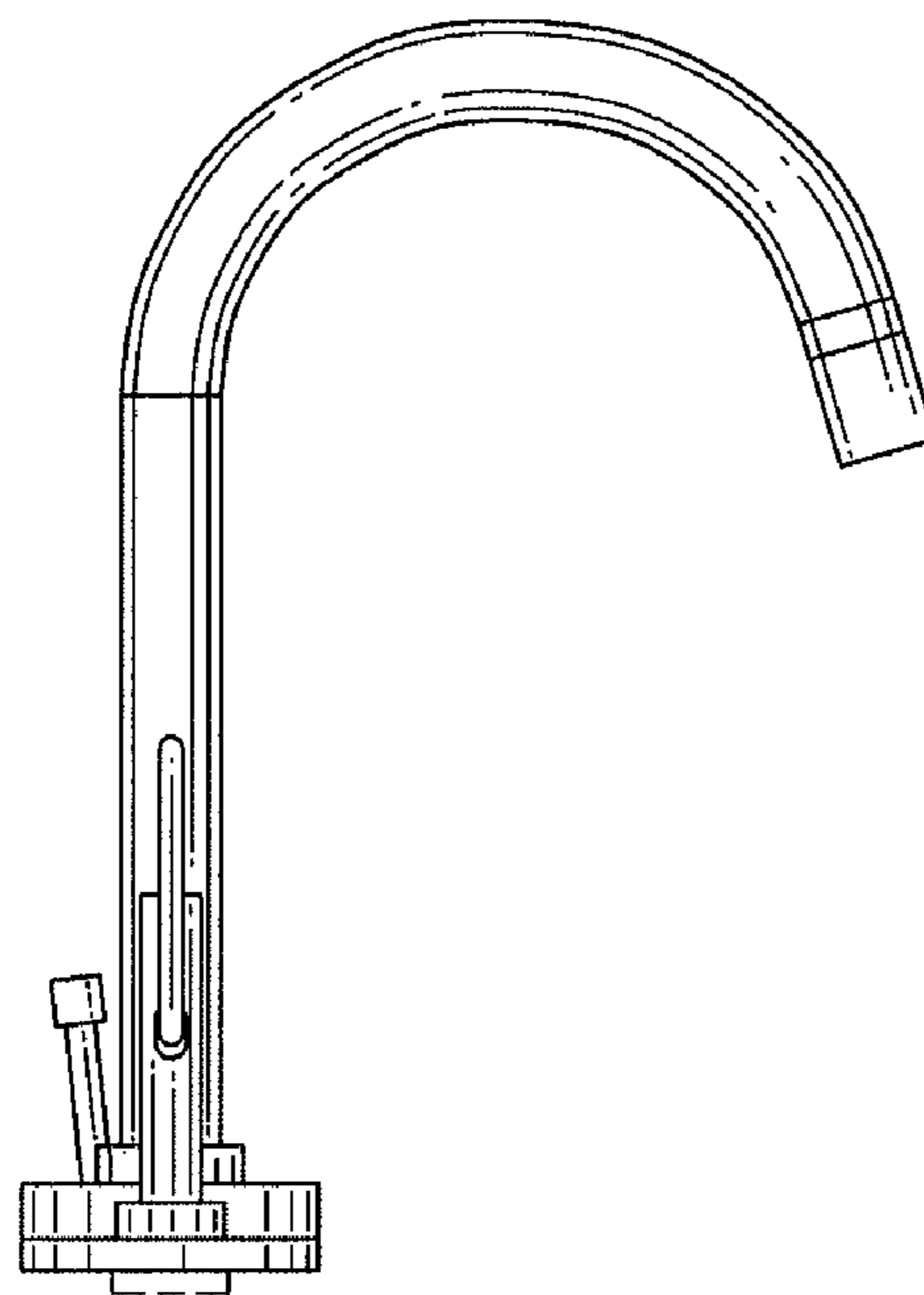


FIG. 3

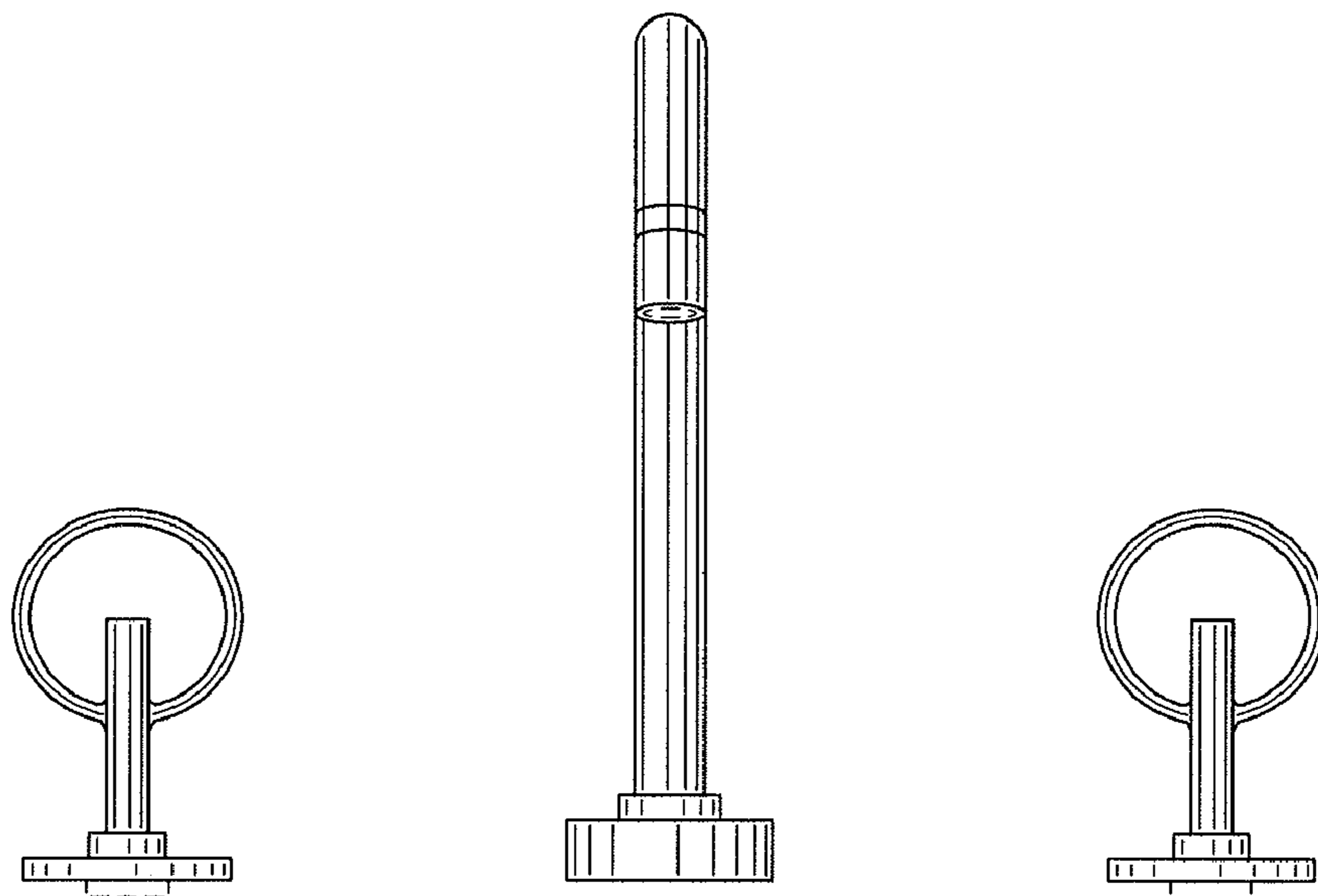


FIG. 4

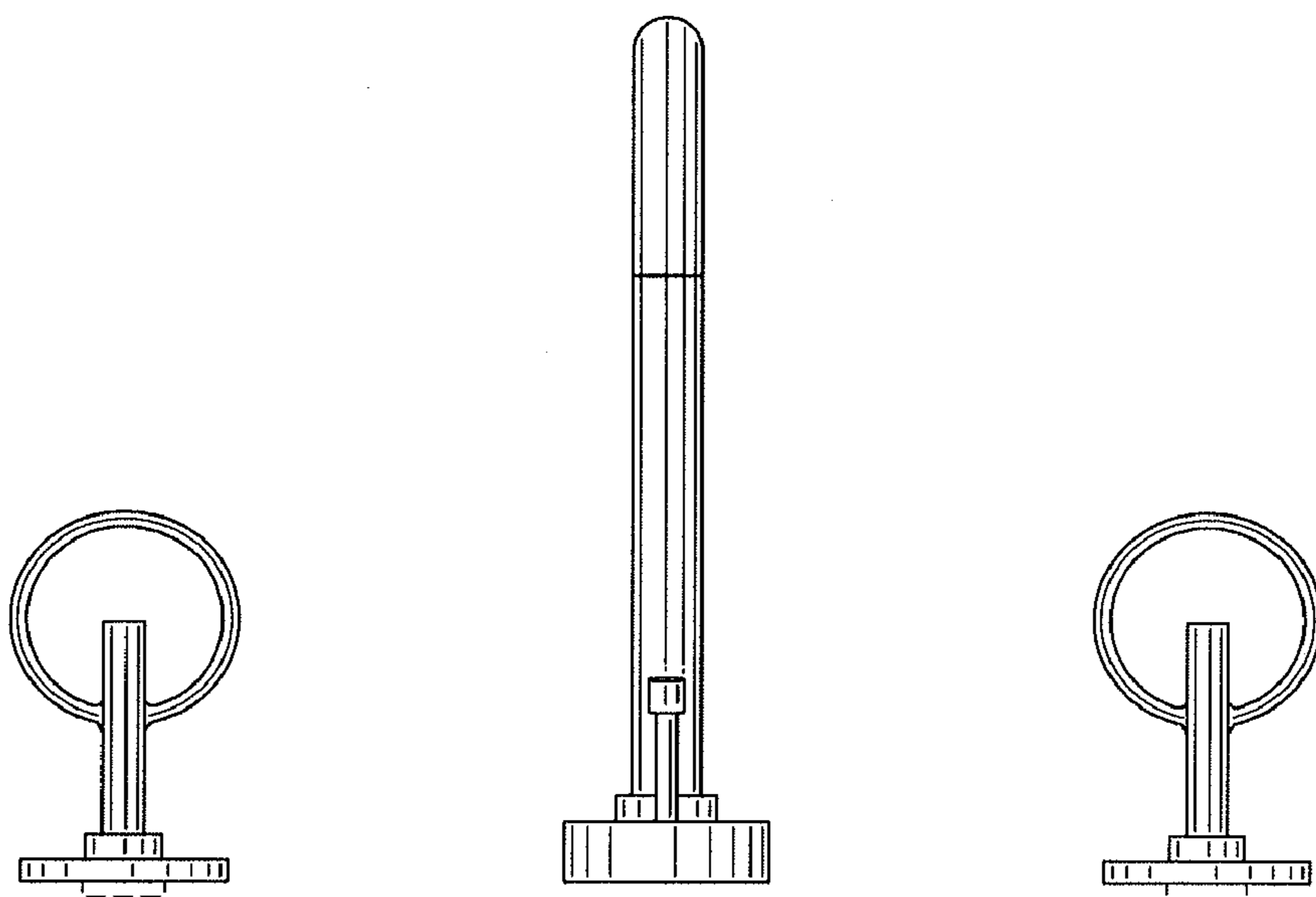


FIG. 5

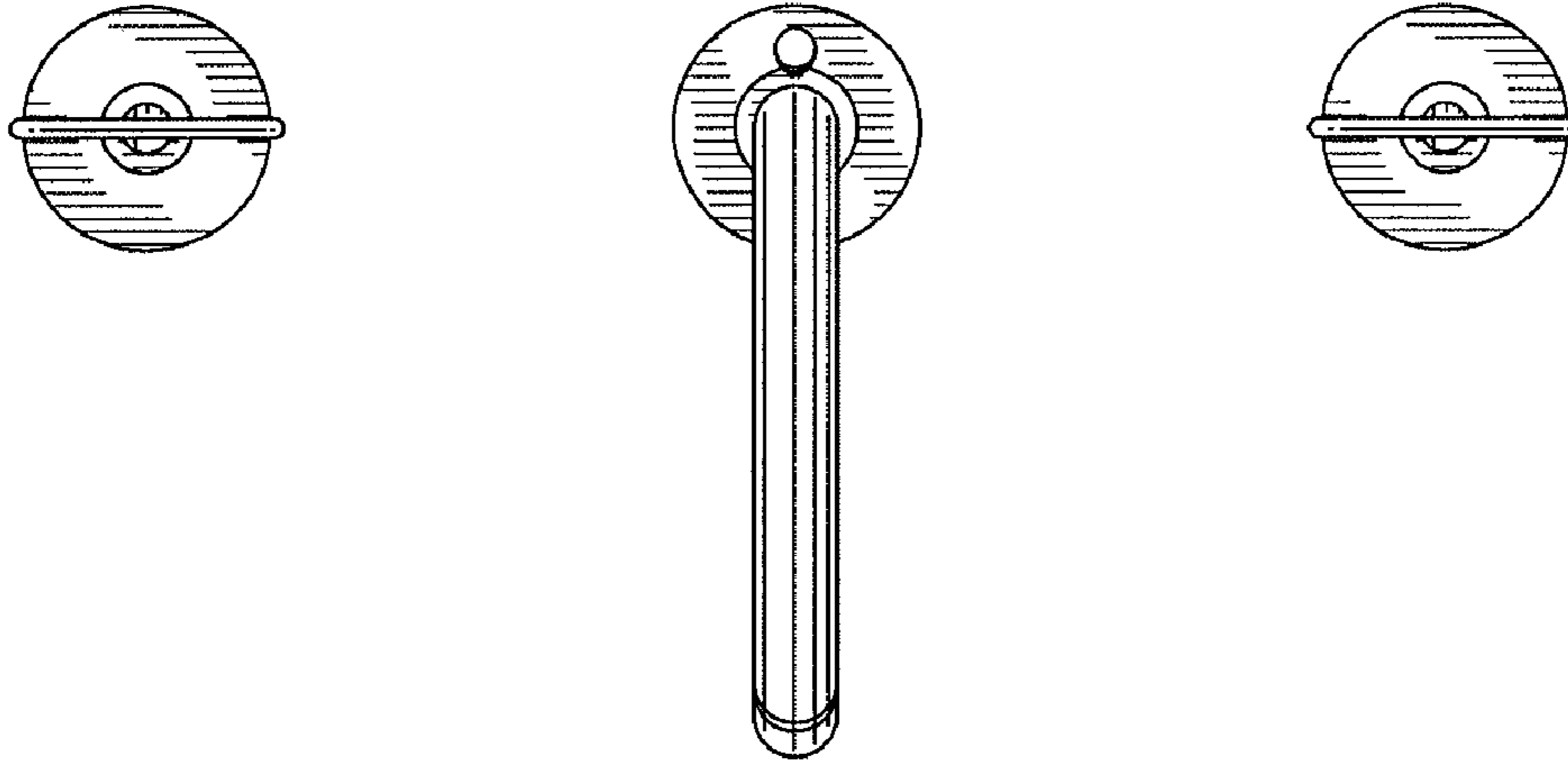


FIG. 6

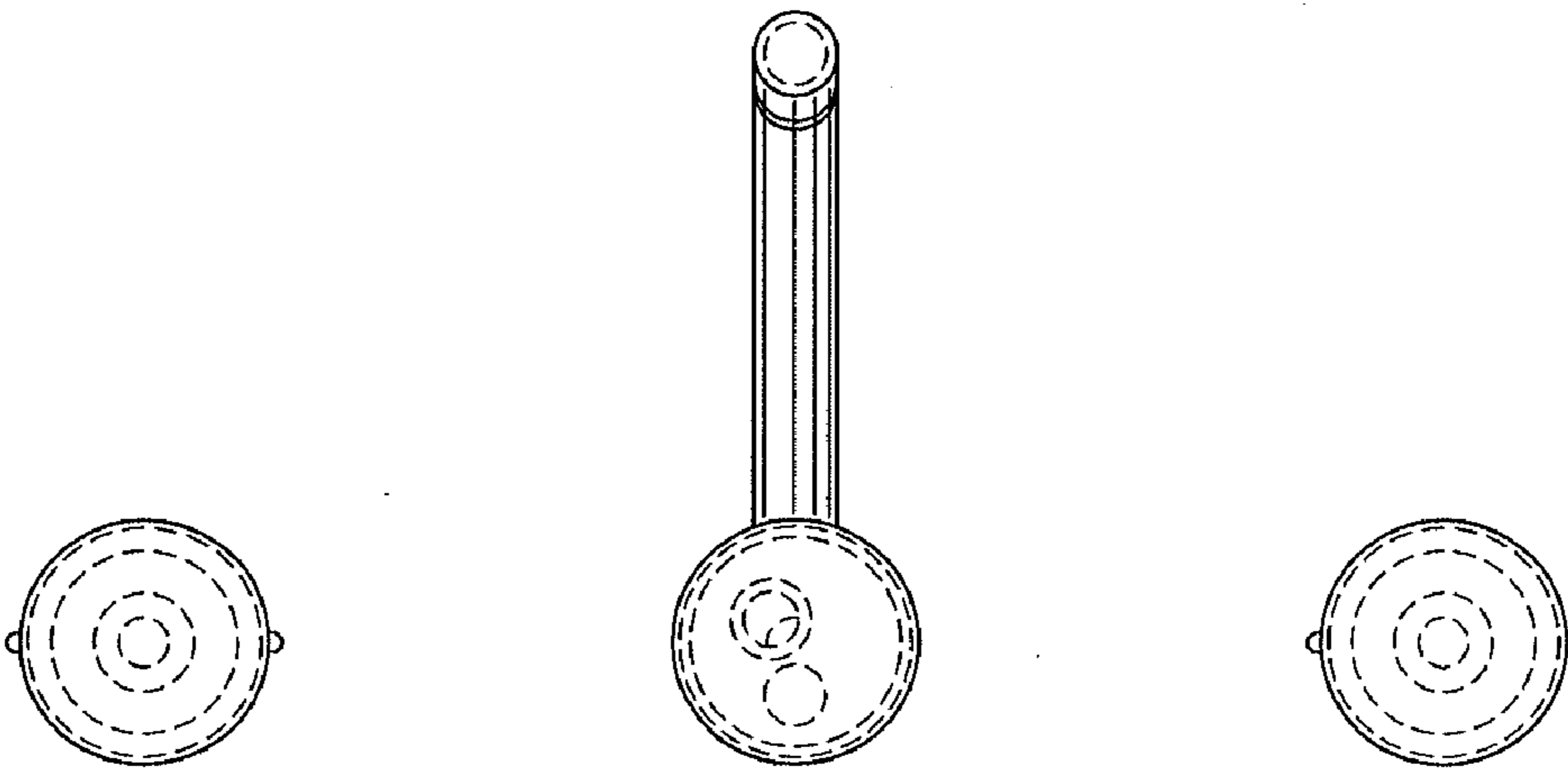


FIG. 7