



US00D673652S

(12) **United States Design Patent**
Thomas

(10) **Patent No.:** **US D673,652 S**
(45) **Date of Patent:** **** Jan. 1, 2013**

(54) **FAUCET**

(75) **Inventor:** **Carter J. Thomas**, Branchburg, NJ (US)

(73) **Assignee:** **AS IP Holdco, Inc.**, Piscataway, NJ
(US)

(**) **Term:** **14 Years**

(21) **Appl. No.:** **29/405,287**

(22) **Filed:** **Oct. 31, 2011**

(51) **LOC (9) Cl.** **23-01**

(52) **U.S. Cl.** **D23/238**

(58) **Field of Classification Search** D23/238,
D23/241–243, 250, 252, 255, 257; 4/675–678;
137/801

See application file for complete search history.

(56) **References Cited**

U.S. PATENT DOCUMENTS

D306,898 S * 3/1990 Funk et al. D23/252
D636,062 S * 4/2011 Rubin et al. D23/238

* cited by examiner

Primary Examiner — Robert Delehanty

(74) *Attorney, Agent, or Firm* — Flaster/Greenberg P.C.

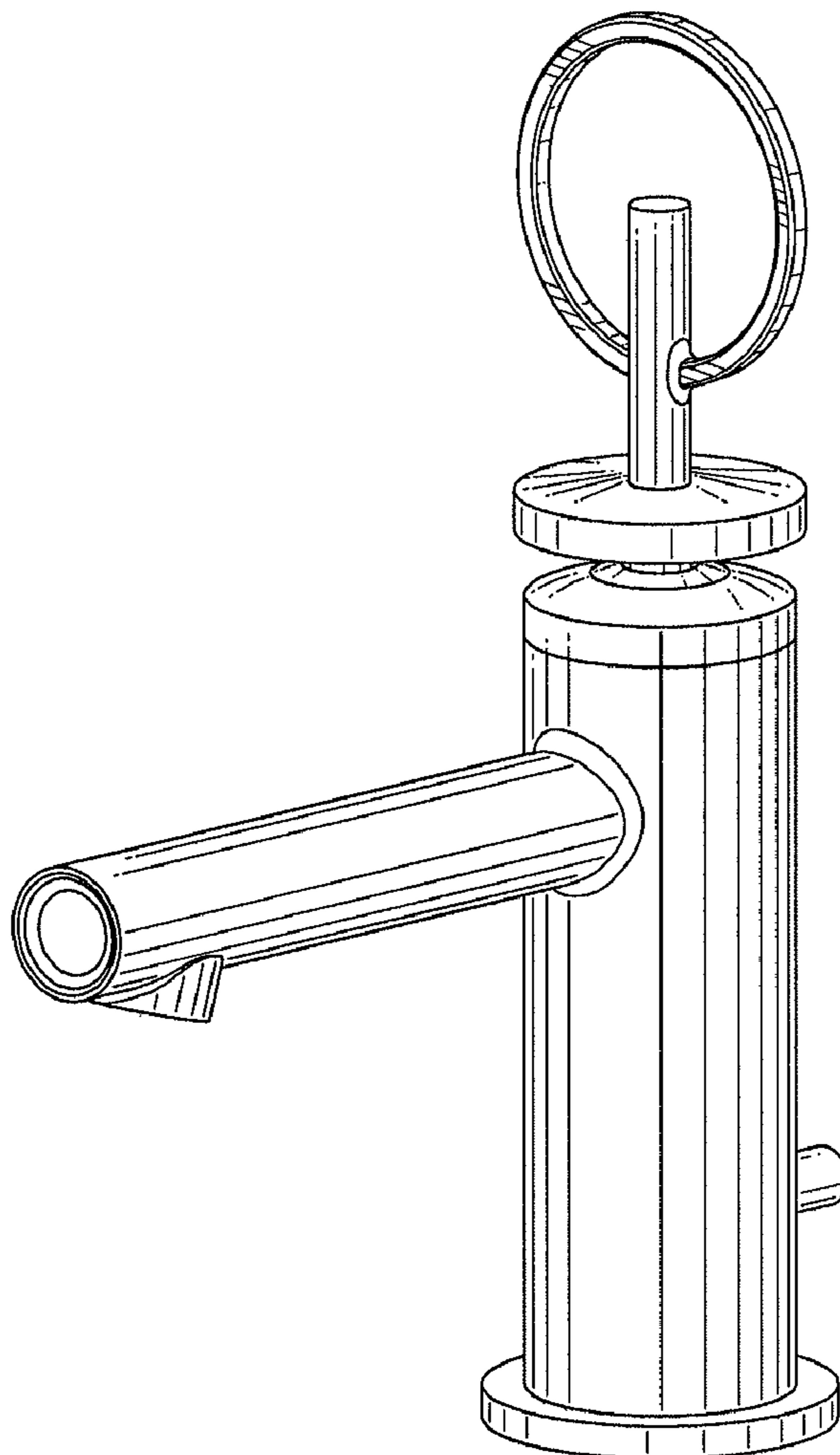
(57) **CLAIM**

The ornamental design for a faucet, as shown and described.

DESCRIPTION

FIG. 1 is a perspective view of a faucet;
FIG. 2 is a front view of the faucet of FIG. 1;
FIG. 3 is a rear view of the faucet of FIG. 1;
FIG. 4 is a side view of the faucet of FIG. 1;
FIG. 5 is a bottom plan view of the faucet of FIG. 1; and,
FIG. 6 is a top plan view of the faucet of FIG. 1.
The broken lines of FIGS. 2, 3, and 5 are for the purpose of
illustrating interior structures that may be included in the
faucet and form no part of the claimed design.

1 Claim, 4 Drawing Sheets



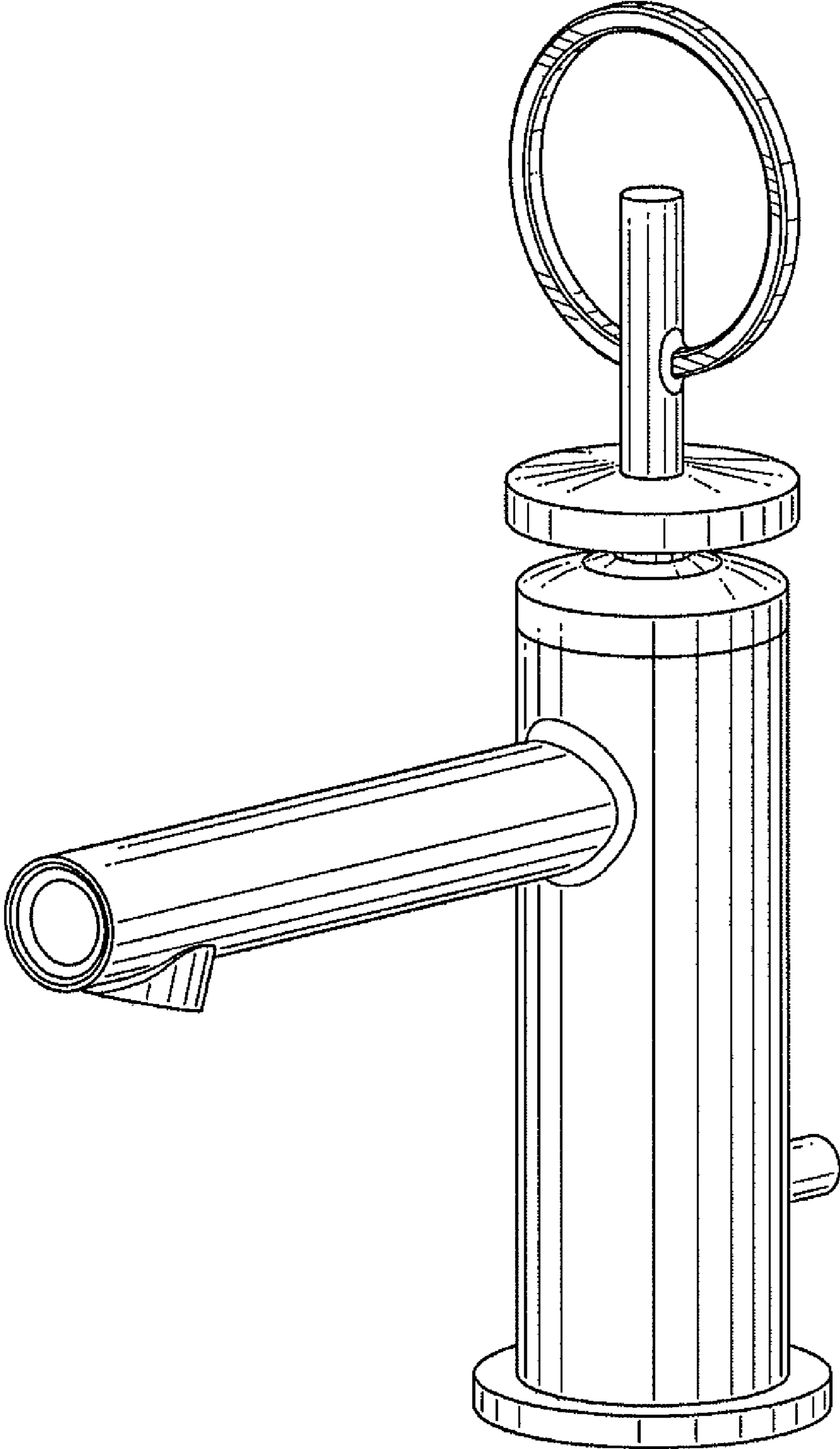


FIG. 1

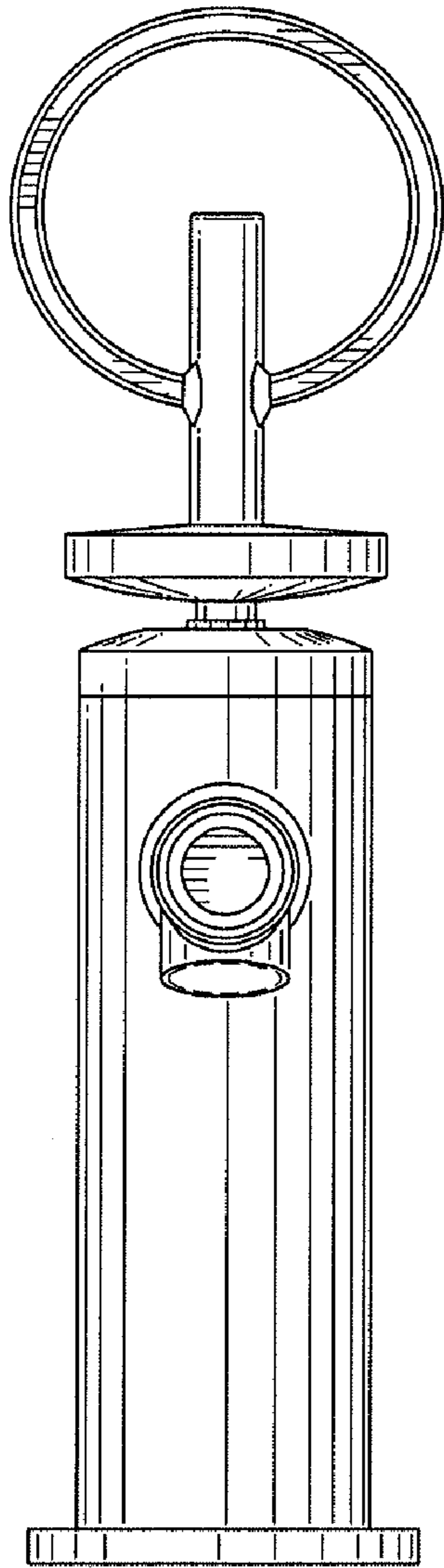


FIG. 2

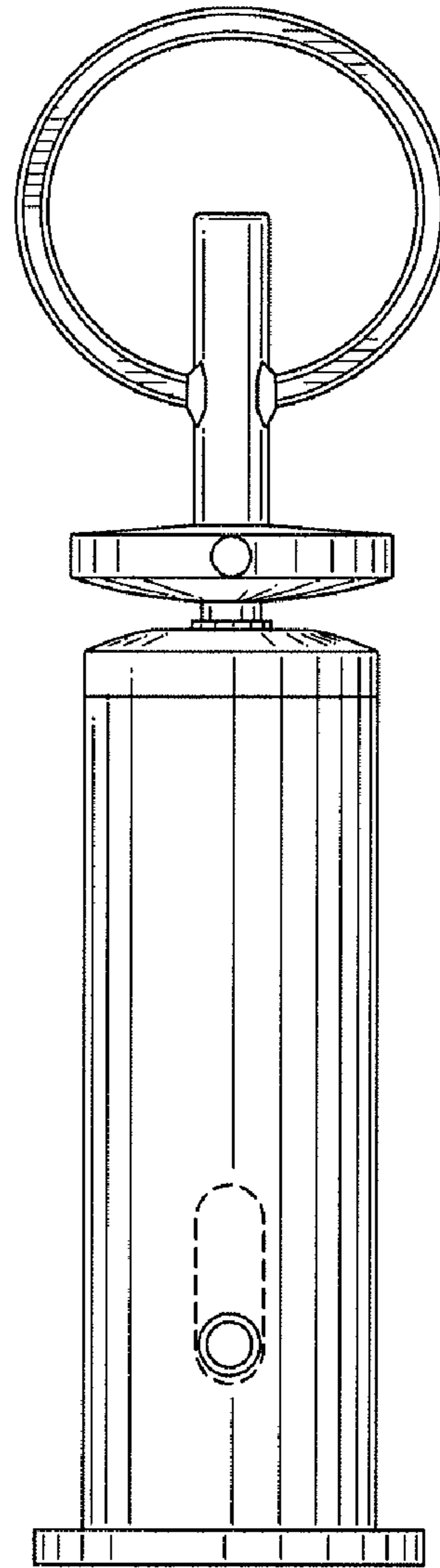


FIG. 3

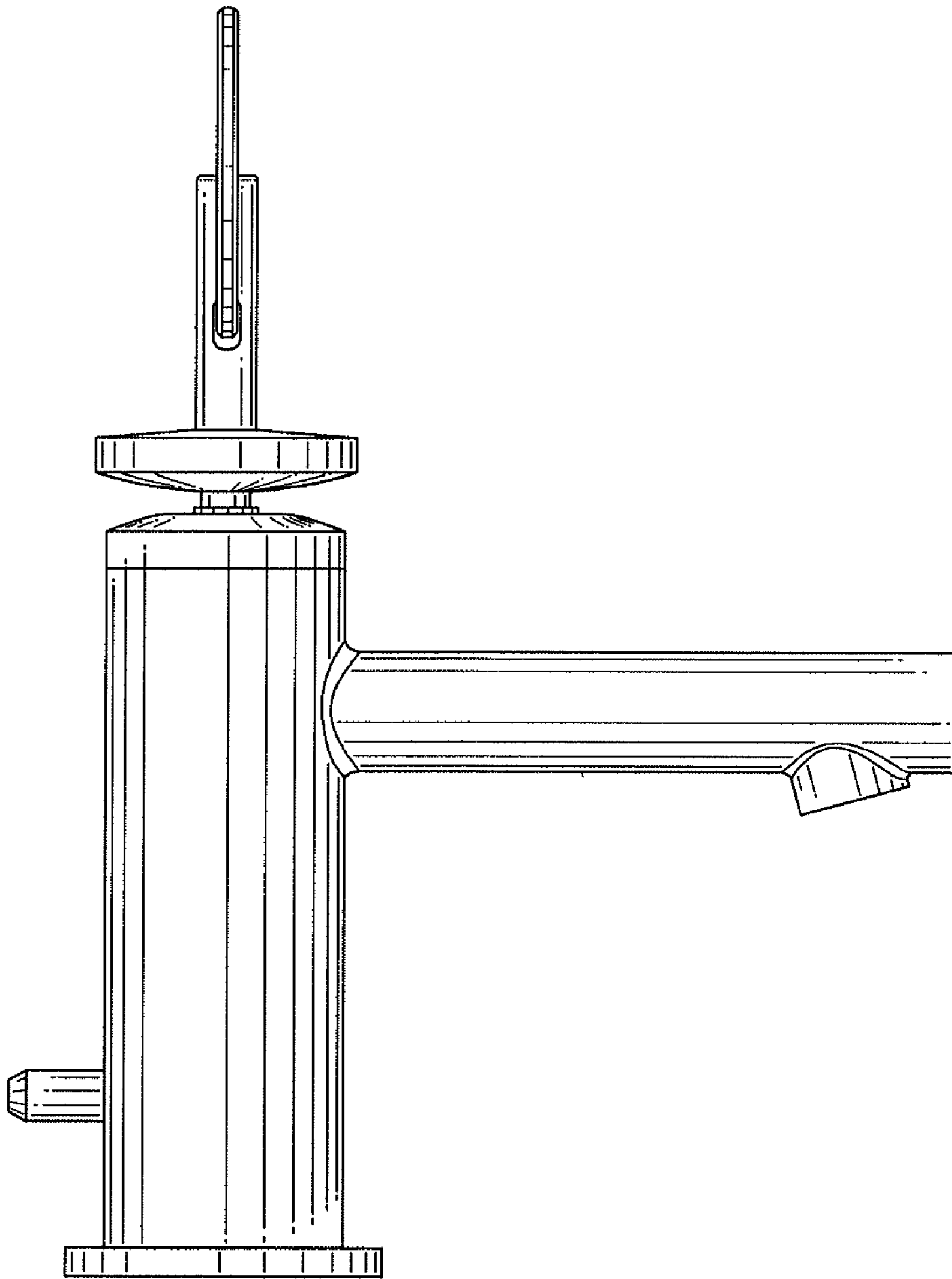


FIG. 4

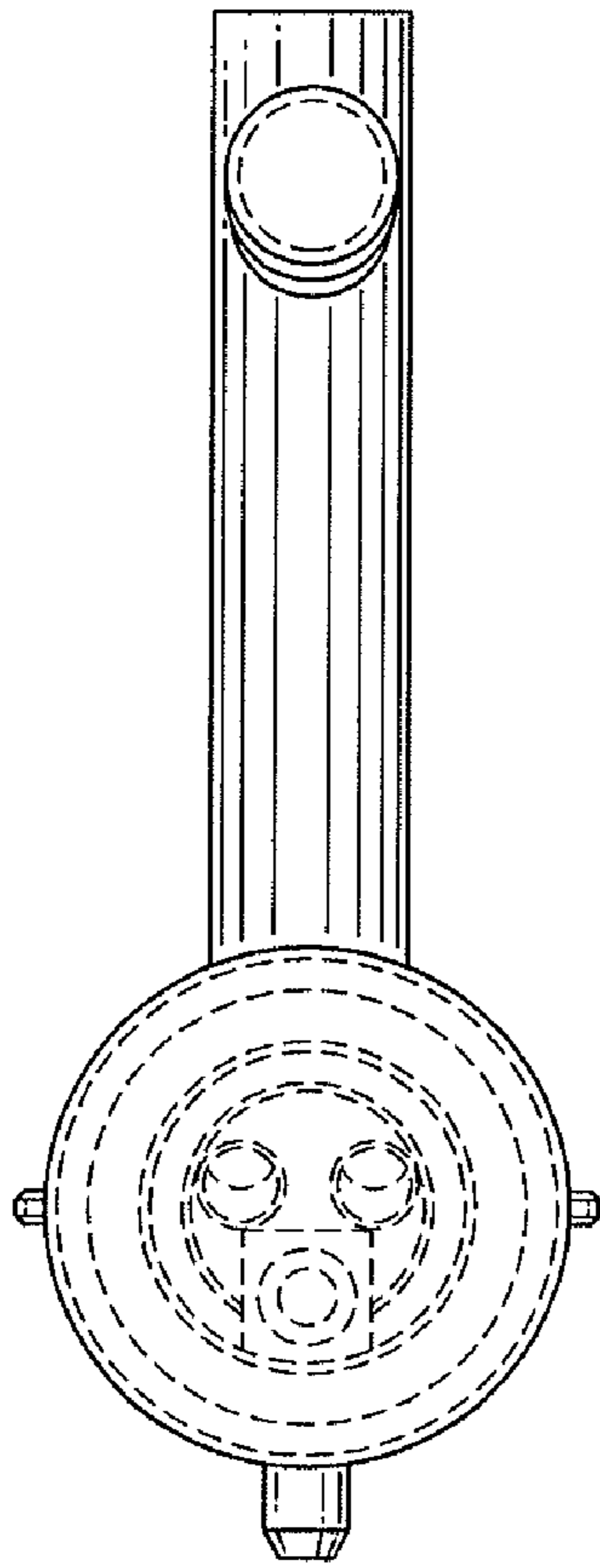


FIG. 5

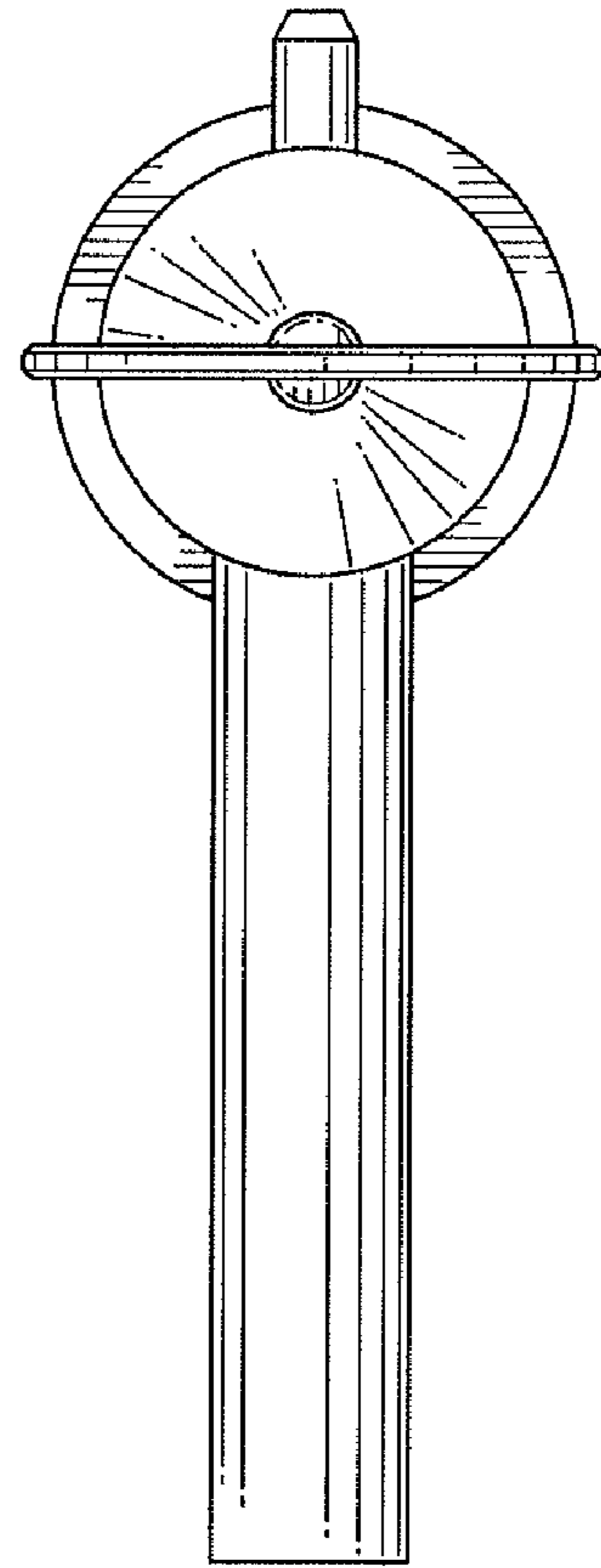


FIG. 6