



US00D673651S

(12) **United States Design Patent**  
**Uhl**

(10) **Patent No.:** **US D673,651 S**

(45) **Date of Patent:** **\*\* Jan. 1, 2013**

(54) **FAUCET**

(75) **Inventor:** **Gary Uhl**, Fair Haven, NJ (US)

(73) **Assignee:** **AS IP Holdco, Inc.**, Piscataway, NJ (US)

(\*\*) **Term:** **14 Years**

(21) **Appl. No.:** **29/405,279**

(22) **Filed:** **Oct. 31, 2011**

(51) **LOC (9) Cl.** ..... **23-01**

(52) **U.S. Cl.** ..... **D23/238**

(58) **Field of Classification Search** ..... D23/238,  
D23/241-243, 250, 252, 255, 257; 4/675-678;  
137/801

See application file for complete search history.

(56) **References Cited**

**U.S. PATENT DOCUMENTS**

D517,651 S \* 3/2006 Theberge ..... D23/238  
D575,849 S \* 8/2008 Ko ..... D23/238

D583,907 S \* 12/2008 Citterio ..... D23/238  
D594,532 S \* 6/2009 Schoenherr et al. .... D23/238  
D643,908 S \* 8/2011 Sieger ..... D23/238

\* cited by examiner

*Primary Examiner* — Robert Delehanty

(74) *Attorney, Agent, or Firm* — Flaster/Greenberg P.C.

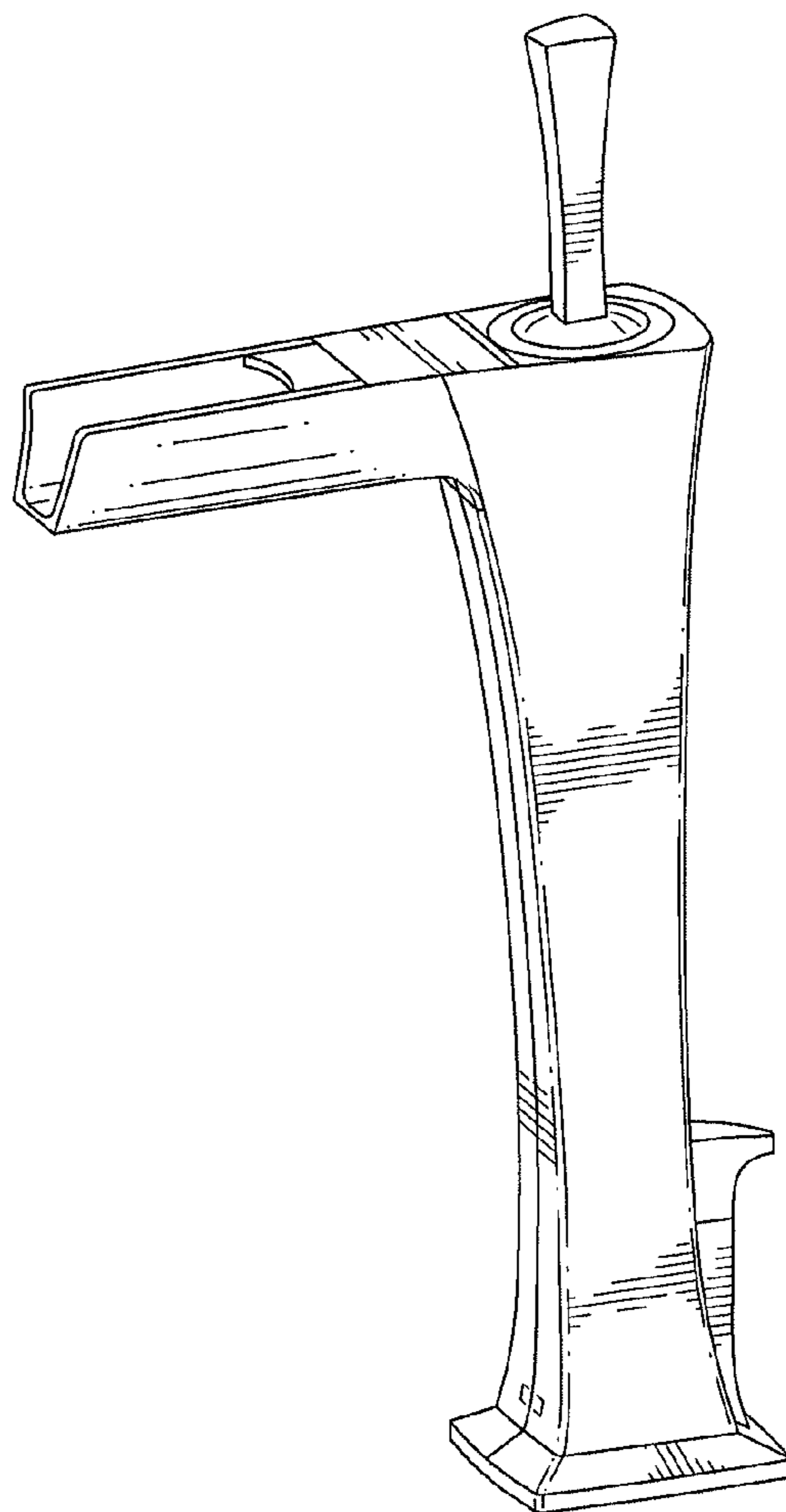
(57) **CLAIM**

The ornamental design for a faucet, as shown and described.

**DESCRIPTION**

FIG. 1 is a perspective view of a faucet;  
FIG. 2 is a front view of the faucet of FIG. 1;  
FIG. 3 is a rear view of the faucet of FIG. 1;  
FIG. 4 is a right side view of the faucet of FIG. 1;  
FIG. 5 is a left side view of the faucet of FIG. 1;  
FIG. 6 is a top plan view of the faucet of FIG. 1; and,  
FIG. 7 is a bottom plan view of the faucet of FIG. 1.  
The broken lines shown in the drawing are for the purpose of illustrating interior structures and environment that may be included in the faucet and form no part of the claimed design.

**1 Claim, 5 Drawing Sheets**



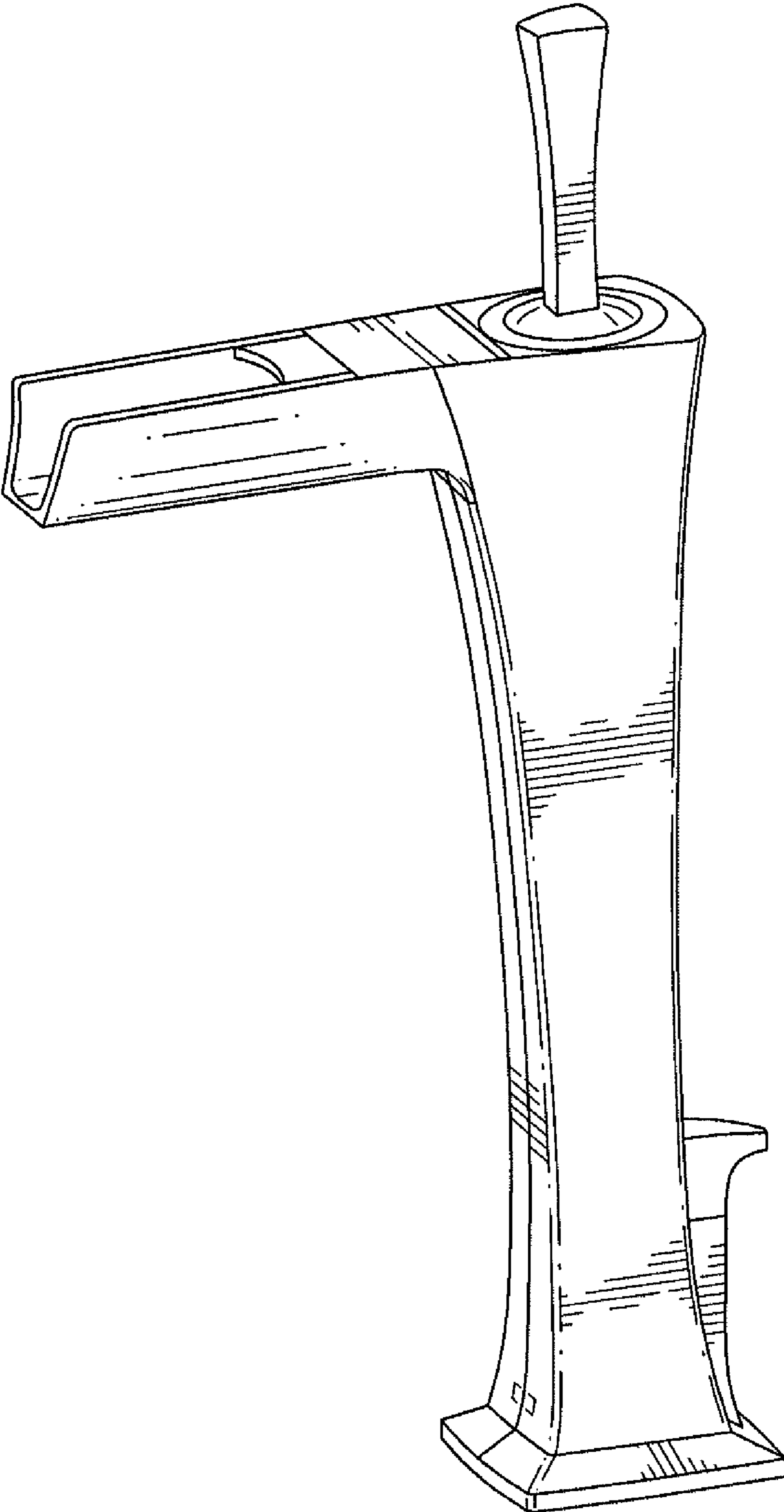


FIG. 1

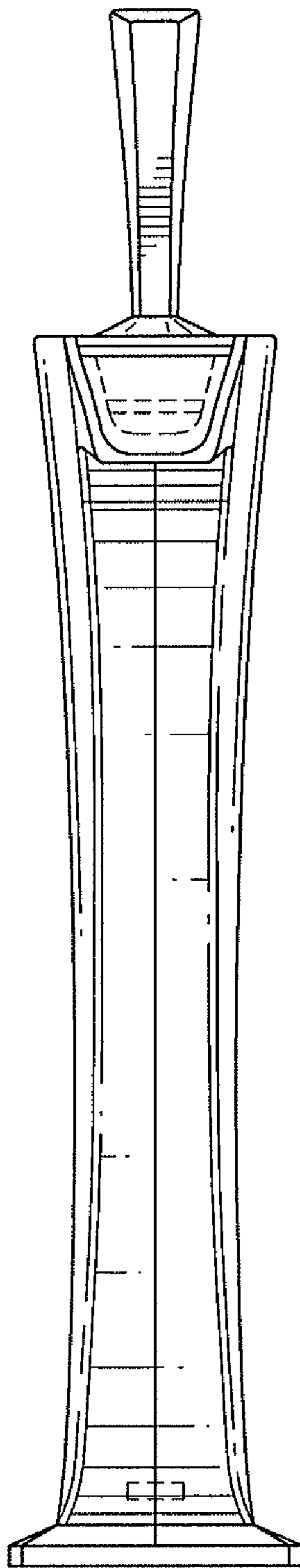


FIG. 2

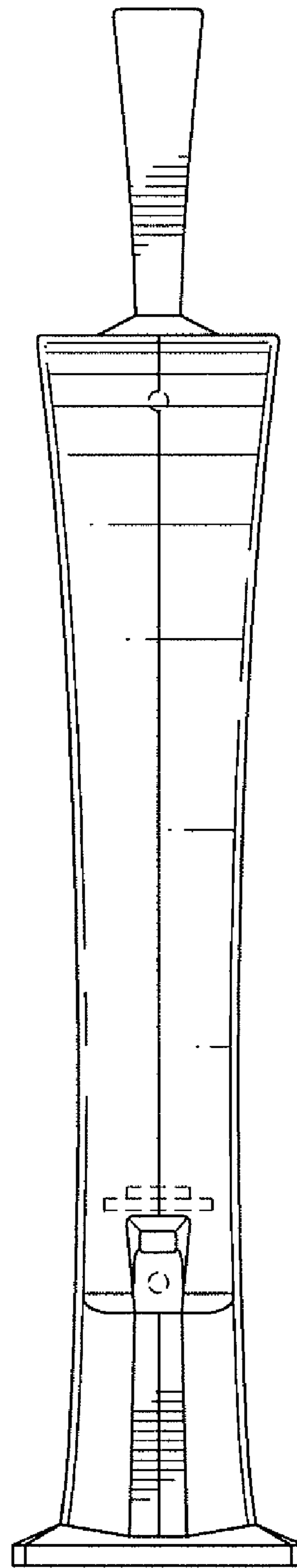


FIG. 3

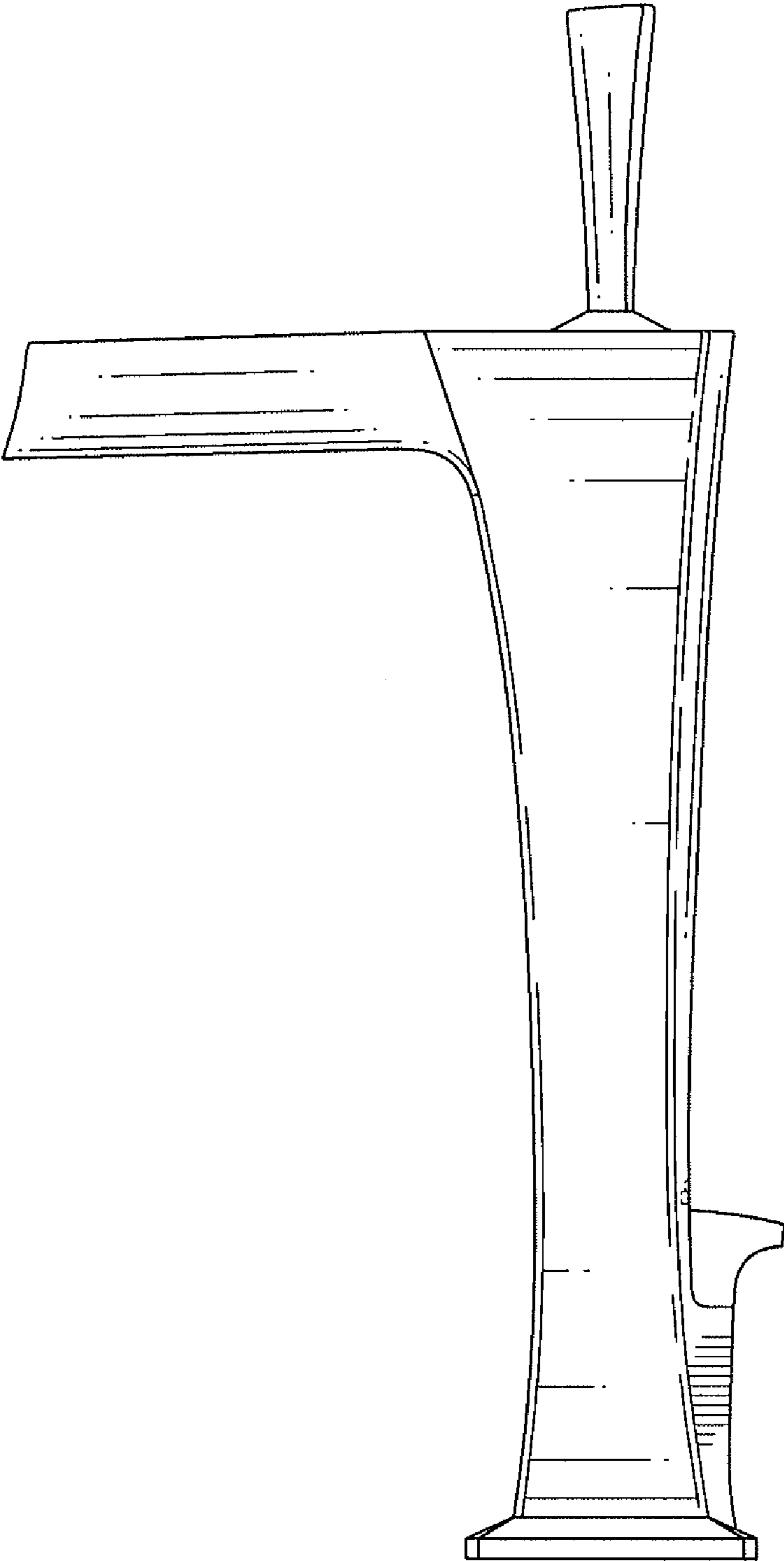


FIG.4

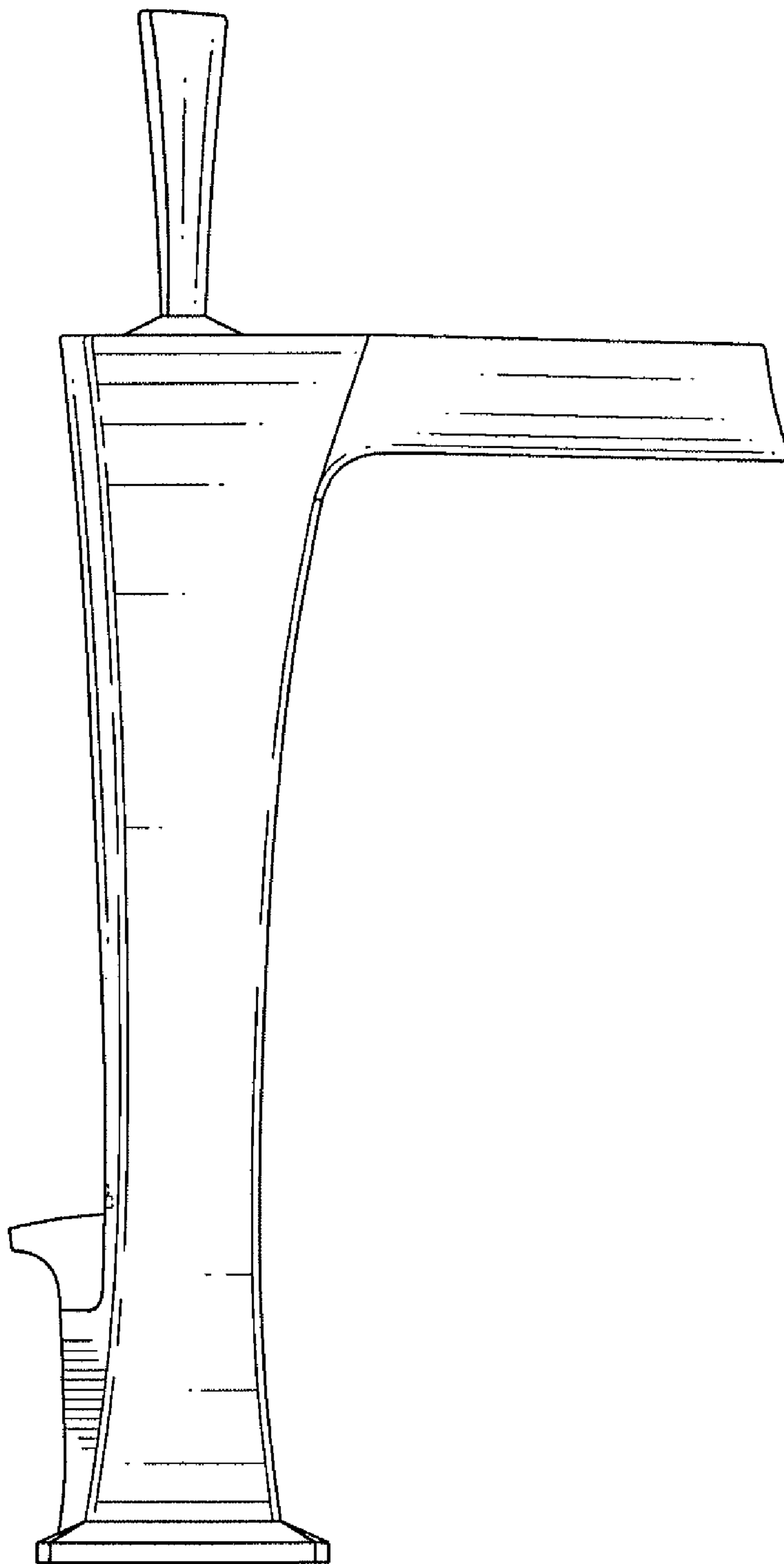


FIG. 5

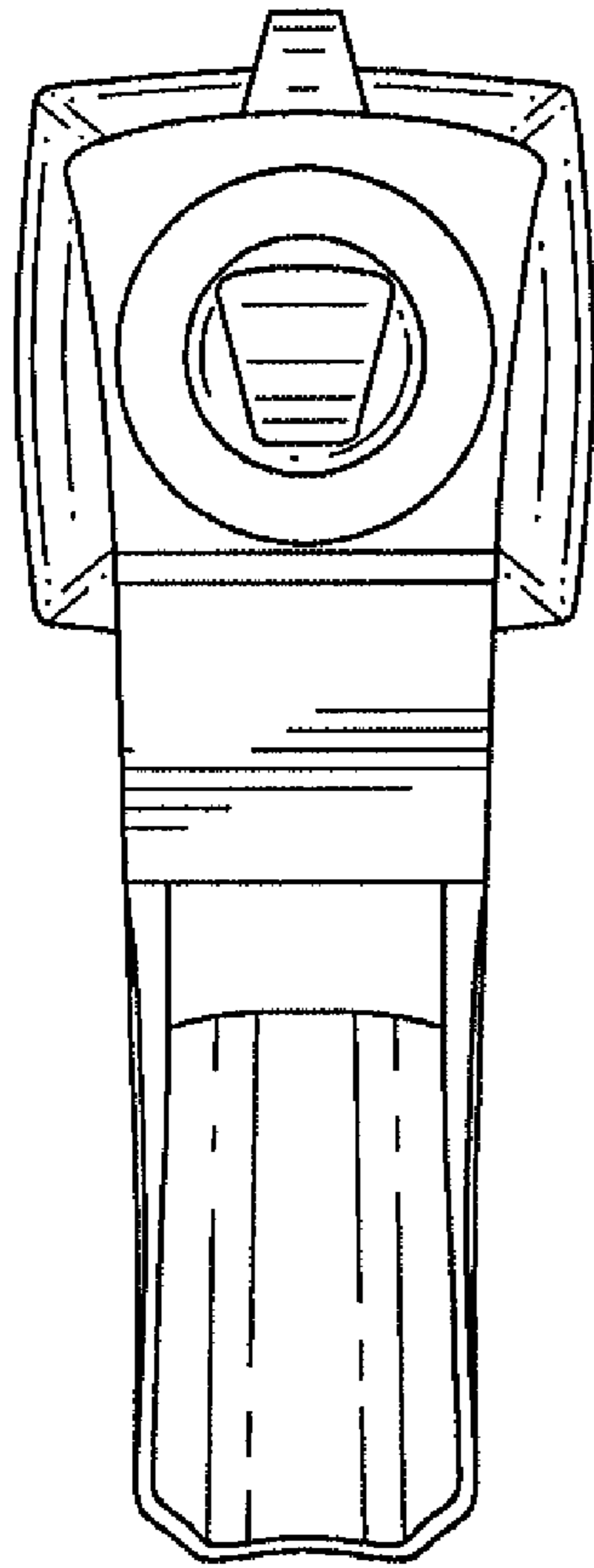


FIG. 6

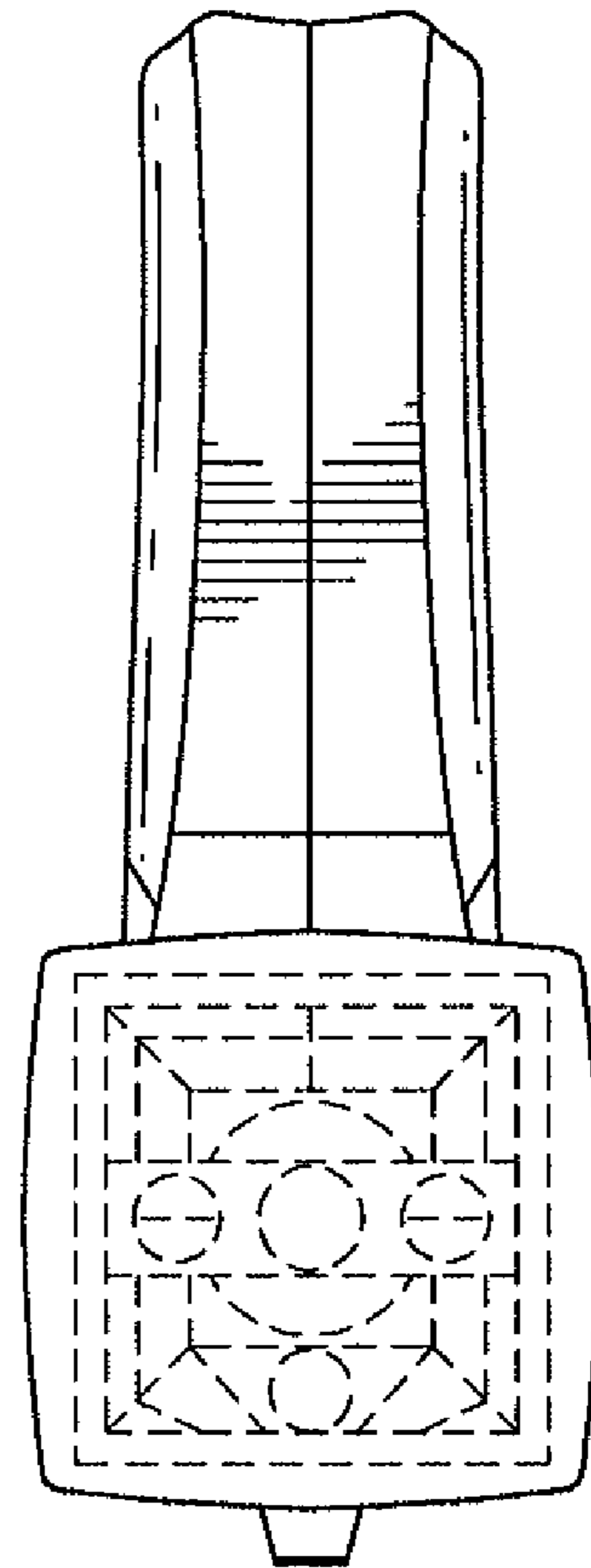


FIG. 7