



US00D673648S

(12) **United States Design Patent**
Masson

(10) **Patent No.:** **US D673,648 S**
(45) **Date of Patent:** **** Jan. 1, 2013**

(54) **COMPRESSED AIR-PISTOL**

(76) Inventor: **Lucien Masson**, Maur (CH)

(**) Term: **14 Years**

(21) Appl. No.: **29/391,621**

(22) Filed: **May 11, 2011**

(30) **Foreign Application Priority Data**

Nov. 12, 2010 (EP) 001780875

May 9, 2011 (EP) 001861014

(51) **LOC (9) Cl.** **23-01**

(52) **U.S. Cl.** **D23/213; D10/83**

(58) **Field of Classification Search** D23/213;
239/569, DIG. 22; D10/83

See application file for complete search history.

(56) **References Cited**

U.S. PATENT DOCUMENTS

- 3,884,419 A * 5/1975 Geoffray 239/526
- 4,026,474 A * 5/1977 Knauer et al. 239/430
- D248,041 S * 5/1978 Persson D23/226
- 4,243,178 A * 1/1981 Self 239/436

- D261,547 S * 10/1981 Parke D23/223
- D281,349 S * 11/1985 Goldish D23/223
- D290,993 S * 7/1987 Clivio et al. D23/226
- D317,968 S * 7/1991 Tsai D23/226
- D481,964 S * 11/2003 Masson D10/83
- D549,802 S * 8/2007 Guenther D23/213
- D628,271 S * 11/2010 Carpanese D23/213
- D639,905 S * 6/2011 Uchida D23/213
- D644,714 S * 9/2011 Mauchle et al. D23/213

* cited by examiner

Primary Examiner — Robin V Webster

(74) *Attorney, Agent, or Firm* — Faegre Baker Daniels LLP

(57) **CLAIM**

The design for a compressed air pistol, as shown and described.

DESCRIPTION

FIG. 1 is a perspective view of a compressed air pistol showing my new design;

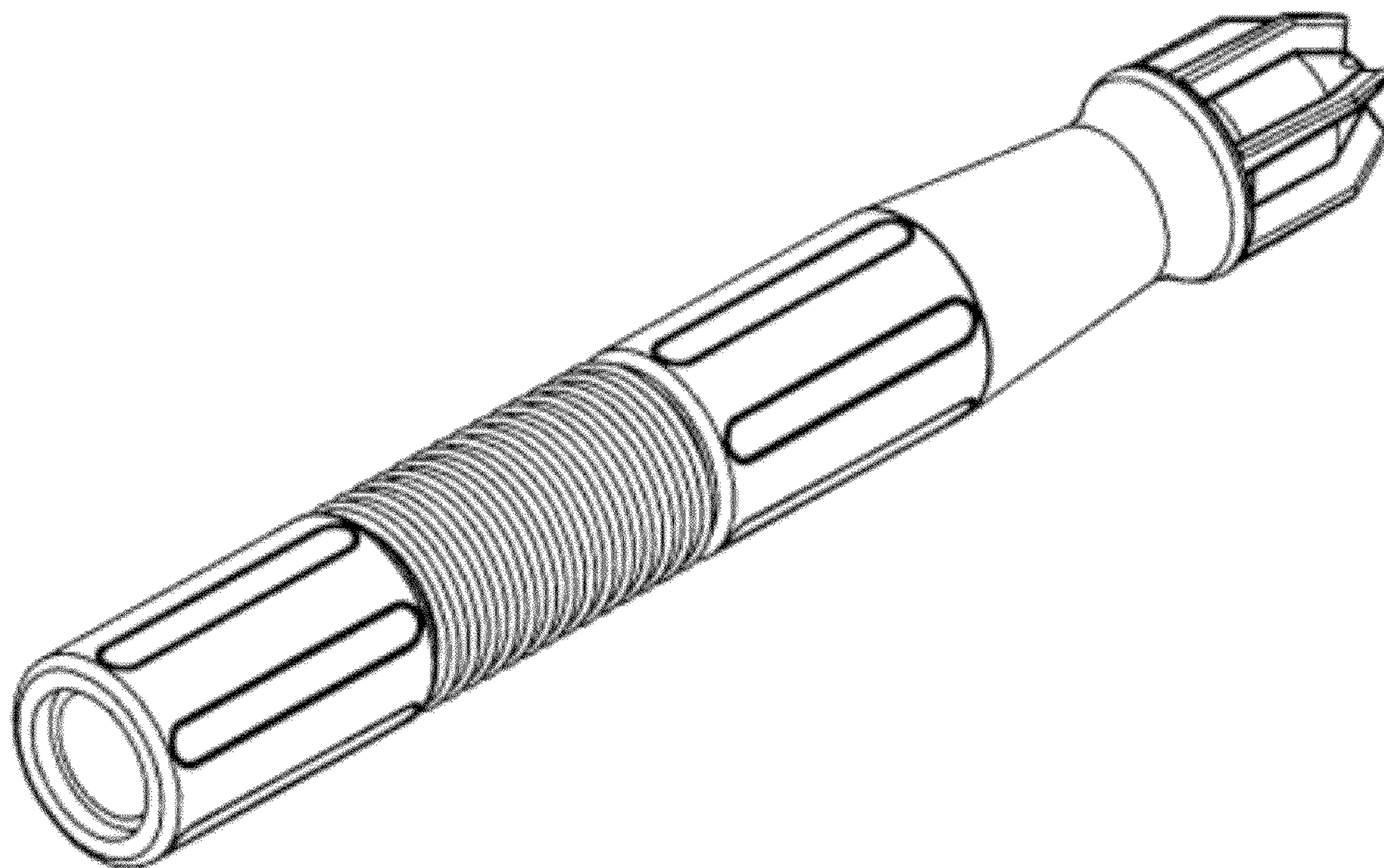
FIG. 2 is a side view thereof;

FIG. 3 is a plan view thereof;

FIG. 4 is an end view thereof; and,

FIG. 5 is an opposite end view thereof.

1 Claim, 5 Drawing Sheets



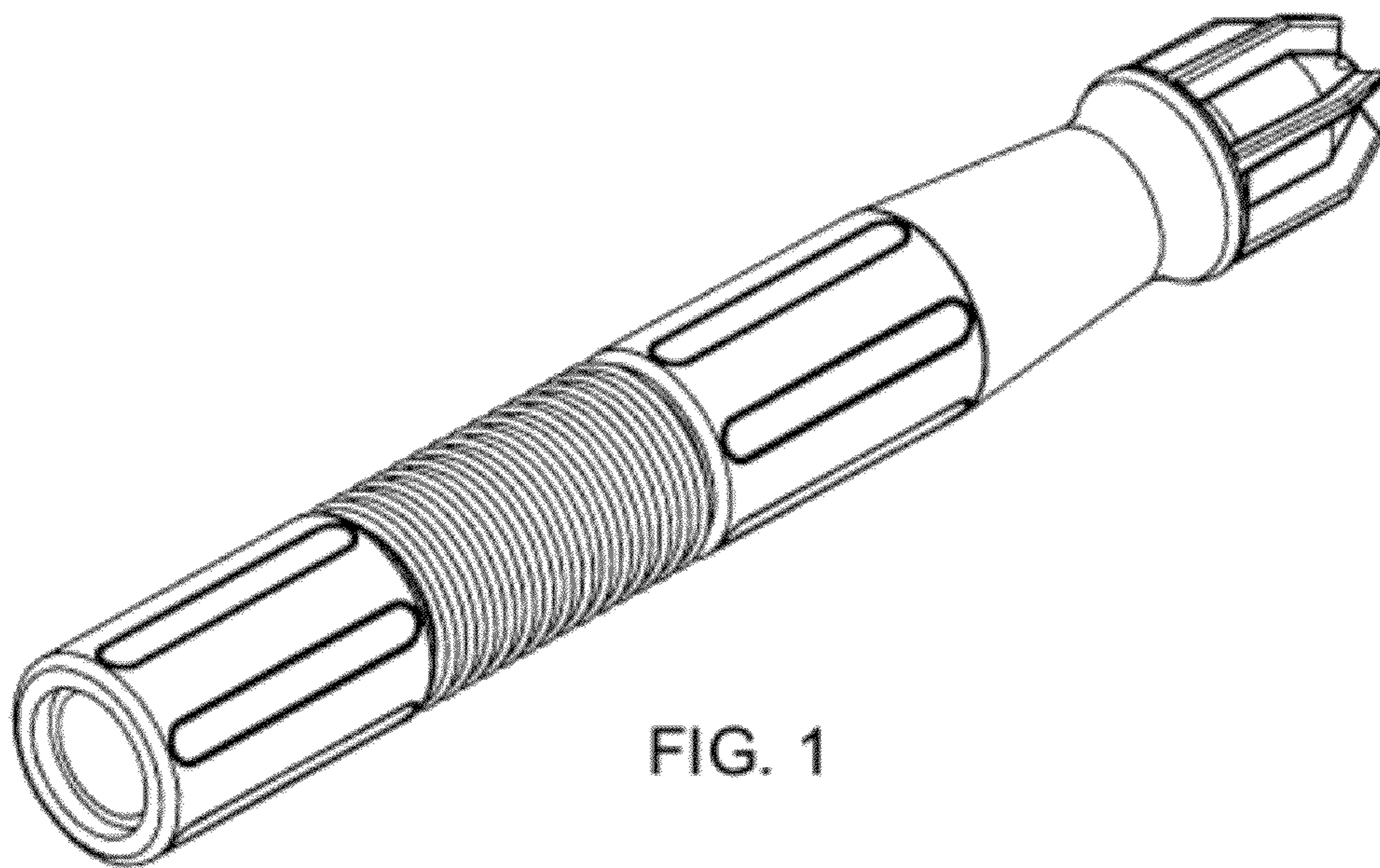


FIG. 1

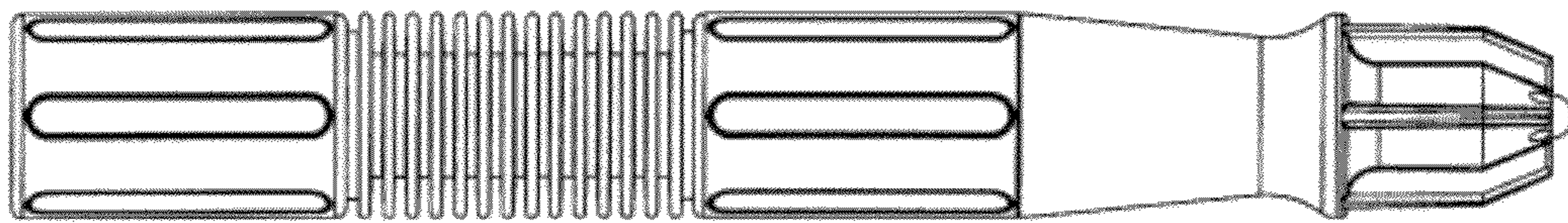


FIG. 2

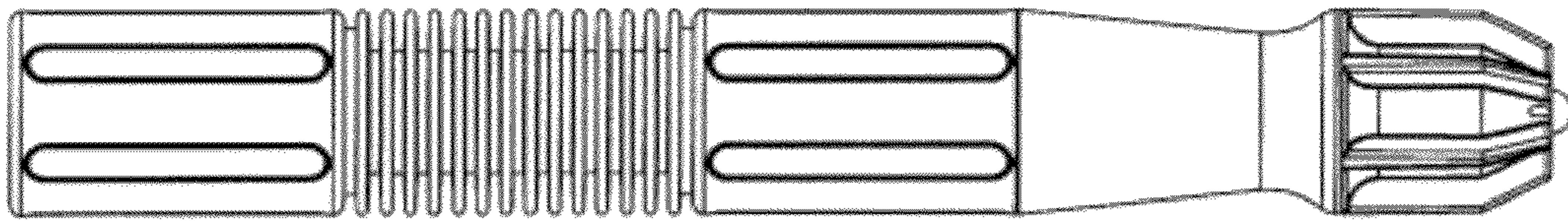


FIG. 3

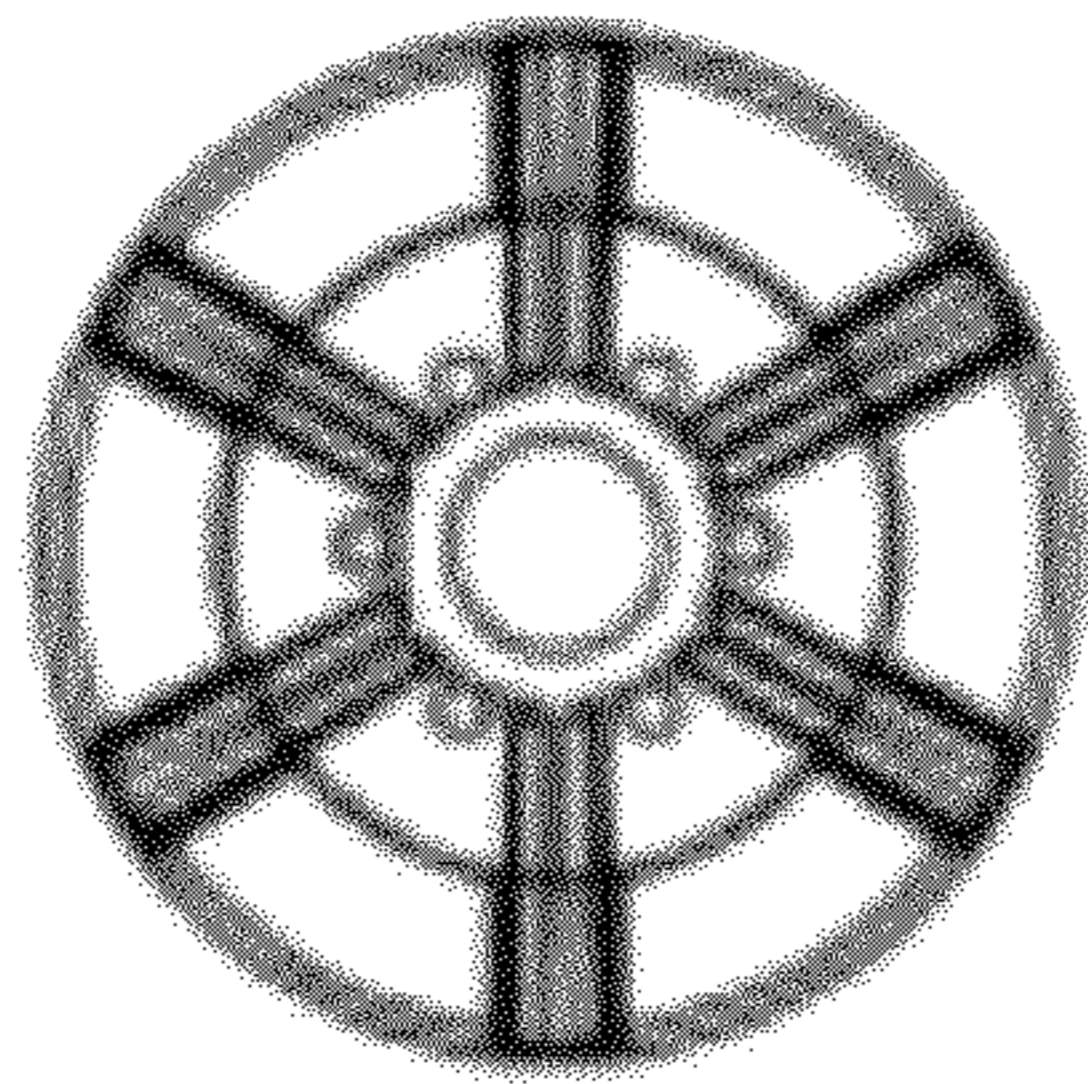


FIG. 4

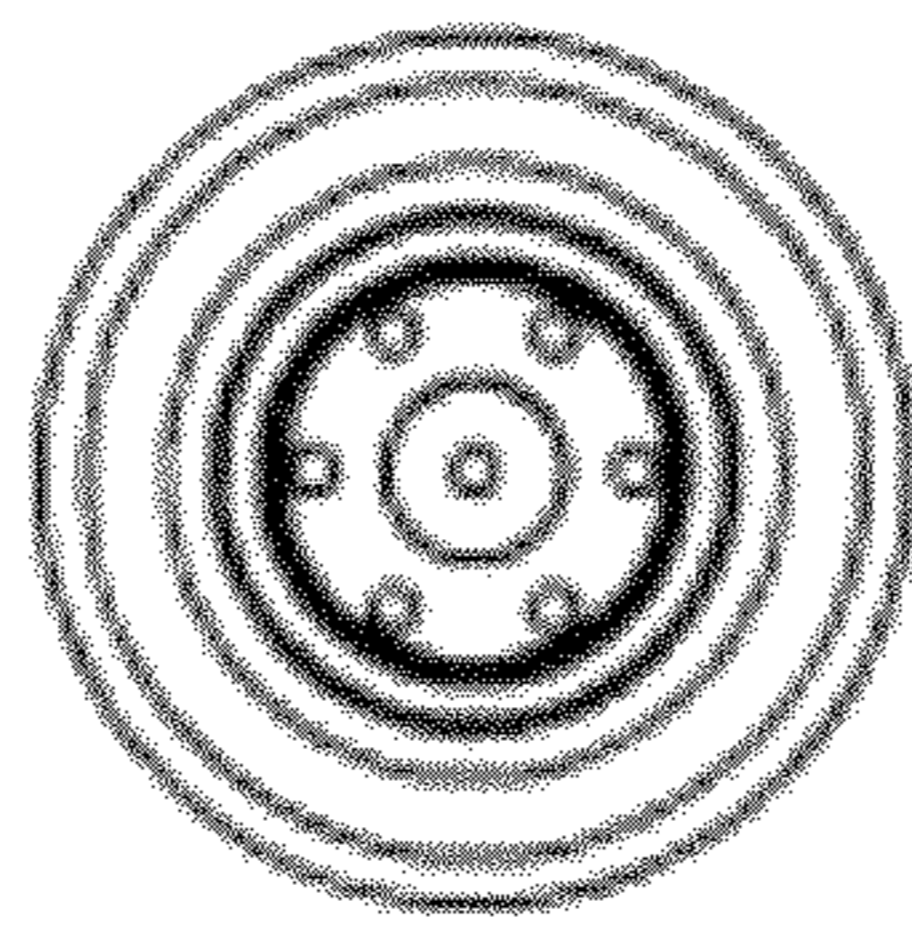


FIG. 5