



US00D673646S

(12) **United States Design Patent**  
**Ben-Horin et al.**

(10) **Patent No.:** **US D673,646 S**  
(45) **Date of Patent:** **\*\* Jan. 1, 2013**

(54) **FLUID DISTRIBUTION EQUIPMENT**  
(75) Inventors: **Ra'anah Ben-Horin**, D.N. Jordan Valley (IL); **Alexey Slavinsky**, Kfar Hittim (IL)  
(73) Assignee: **Amiad Water Systems Ltd.**, Kibbutz Amiad (IL)  
(\*\*) Term: **14 Years**  
(21) Appl. No.: **29/394,374**  
(22) Filed: **Jun. 16, 2011**

4,753,726 A \* 6/1988 Suchanek ..... 210/232  
6,059,967 A \* 5/2000 Field ..... 210/247  
6,428,690 B1 \* 8/2002 Tse ..... 210/136  
6,709,574 B2 \* 3/2004 James ..... 210/90  
7,513,993 B2 \* 4/2009 Goodwin et al. .... 210/167.13  
8,118,999 B2 \* 2/2012 Swain ..... 210/136

\* cited by examiner

*Primary Examiner* — Robin V Webster  
(74) *Attorney, Agent, or Firm* — Wiggin and Dana LLP; Gregory S. Rosenblatt

(30) **Foreign Application Priority Data**  
Dec. 16, 2010 (EM) ..... 1250120  
(51) **LOC (9) Cl.** ..... **23-01**  
(52) **U.S. Cl.** ..... **D23/209; D23/213**  
(58) **Field of Classification Search** ..... D23/207, D23/209; 210/275, 279, 291  
See application file for complete search history.

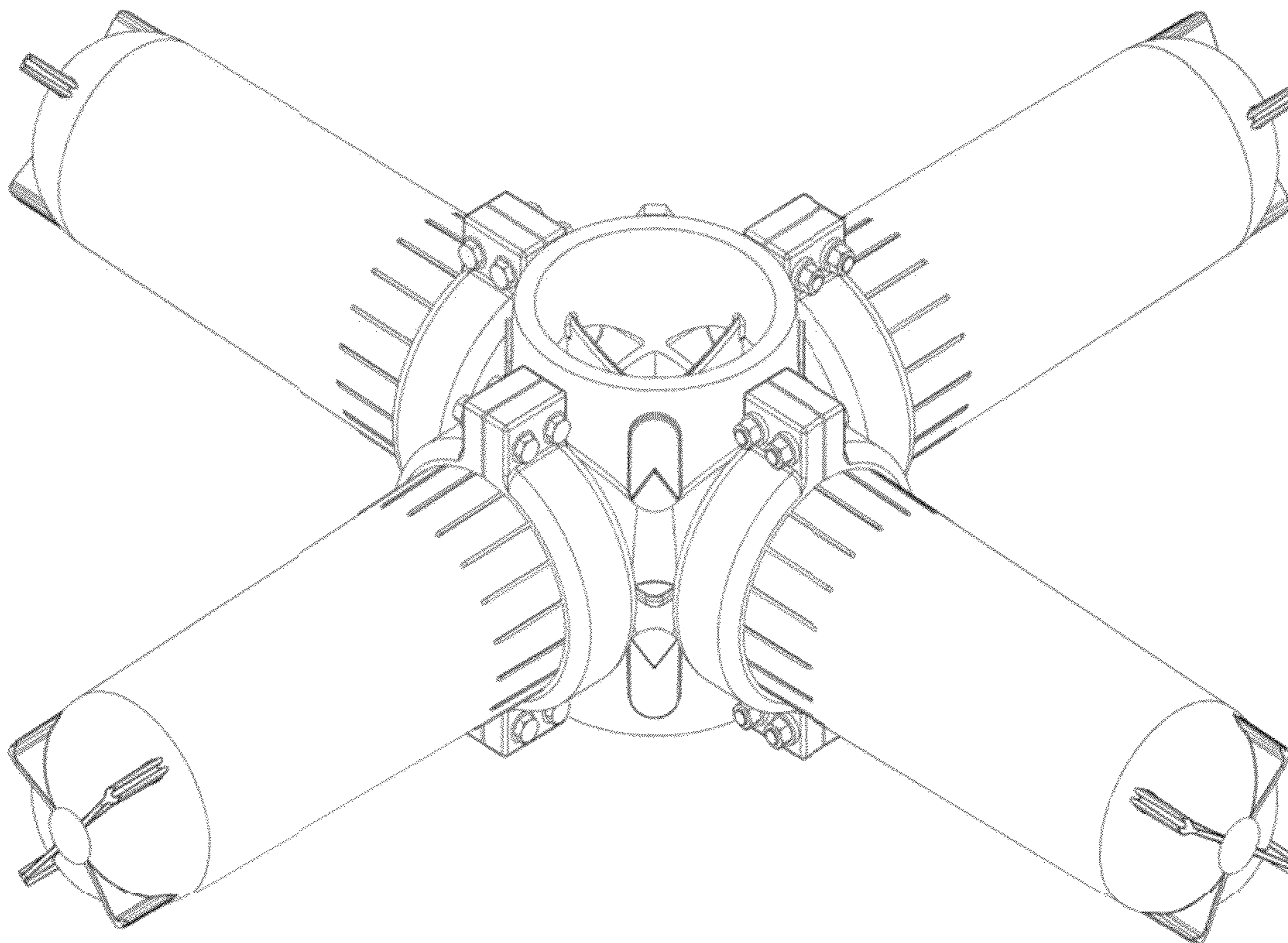
(57) **CLAIM**  
The ornamental design for fluid distribution equipment, as shown and described.

(56) **References Cited**  
**U.S. PATENT DOCUMENTS**  
3,625,365 A \* 12/1971 Armstrong et al. .... 210/232  
4,098,695 A \* 7/1978 Novotny ..... 210/85

**DESCRIPTION**

FIG. 1 is a top view of the fluid distribution equipment showing our new design;  
FIG. 2 is a side view thereof, the other side views being identical;  
FIG. 3 is a perspective view thereof; and,  
FIG. 4 is another perspective view thereof.

**1 Claim, 3 Drawing Sheets**



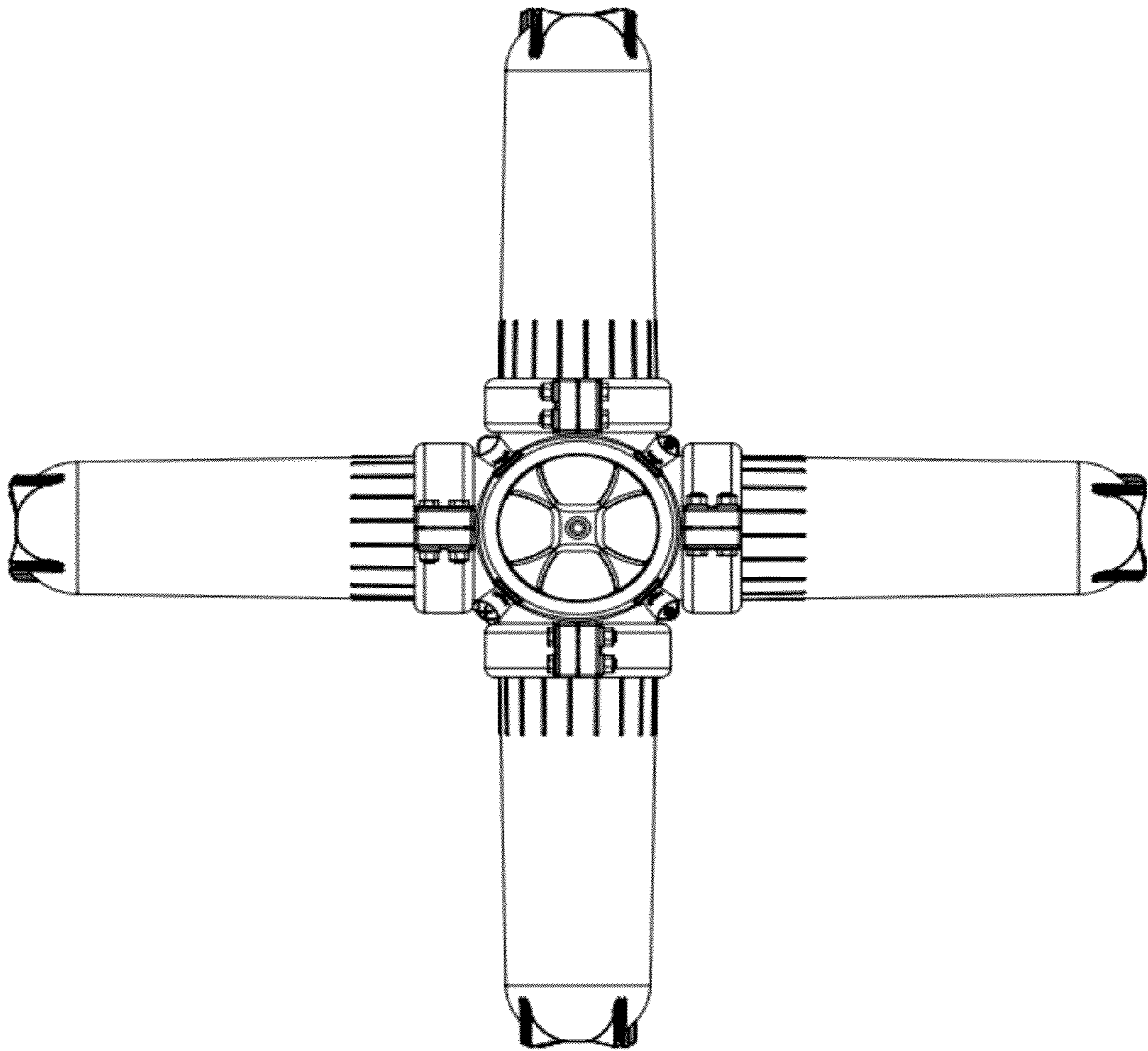


Figure 1

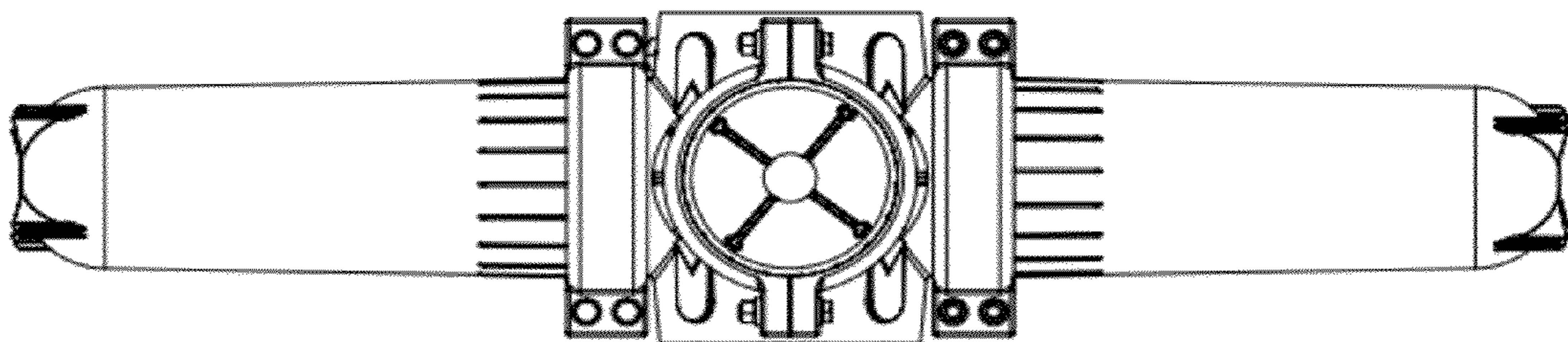


Figure 2



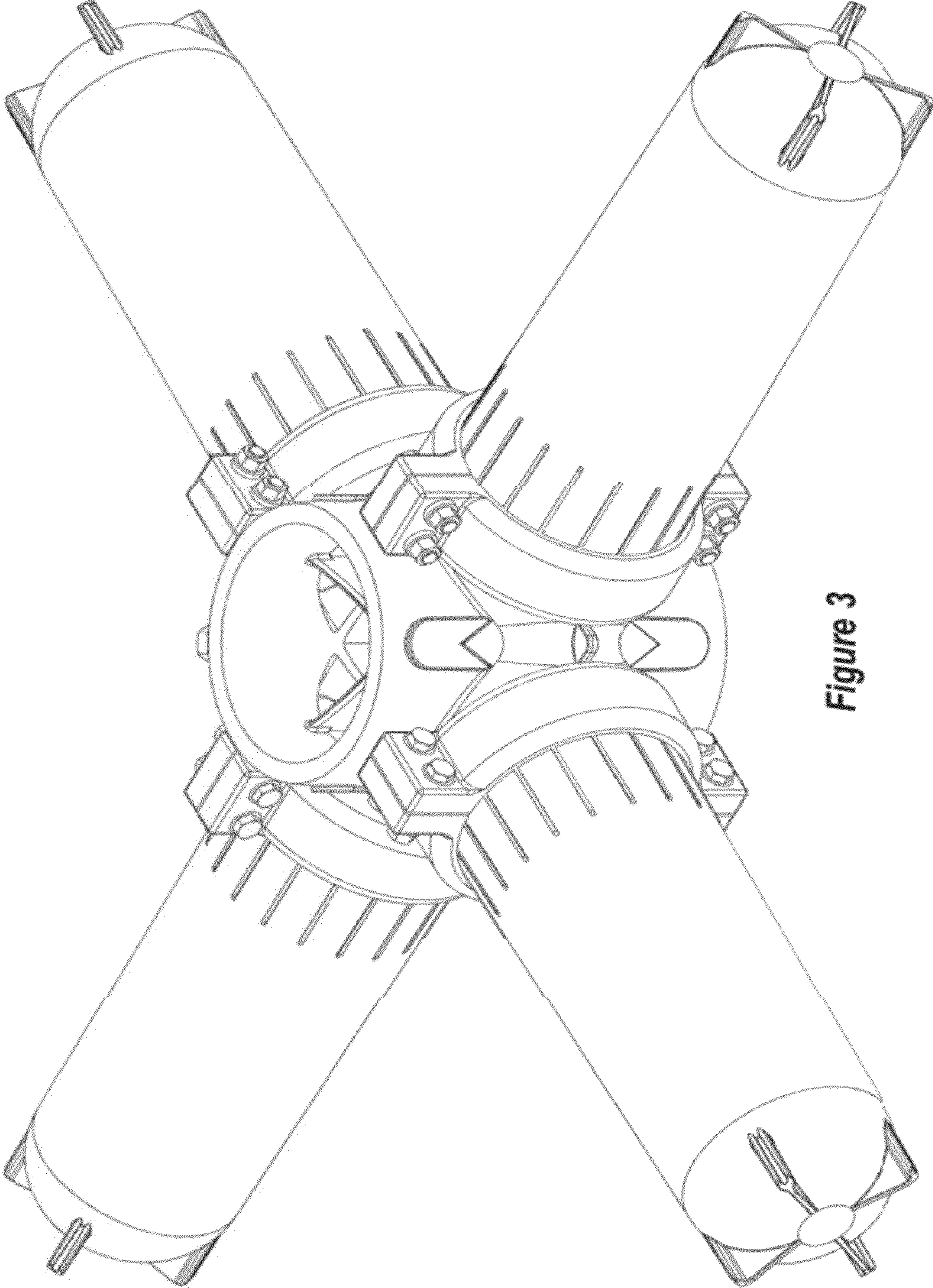


Figure 3

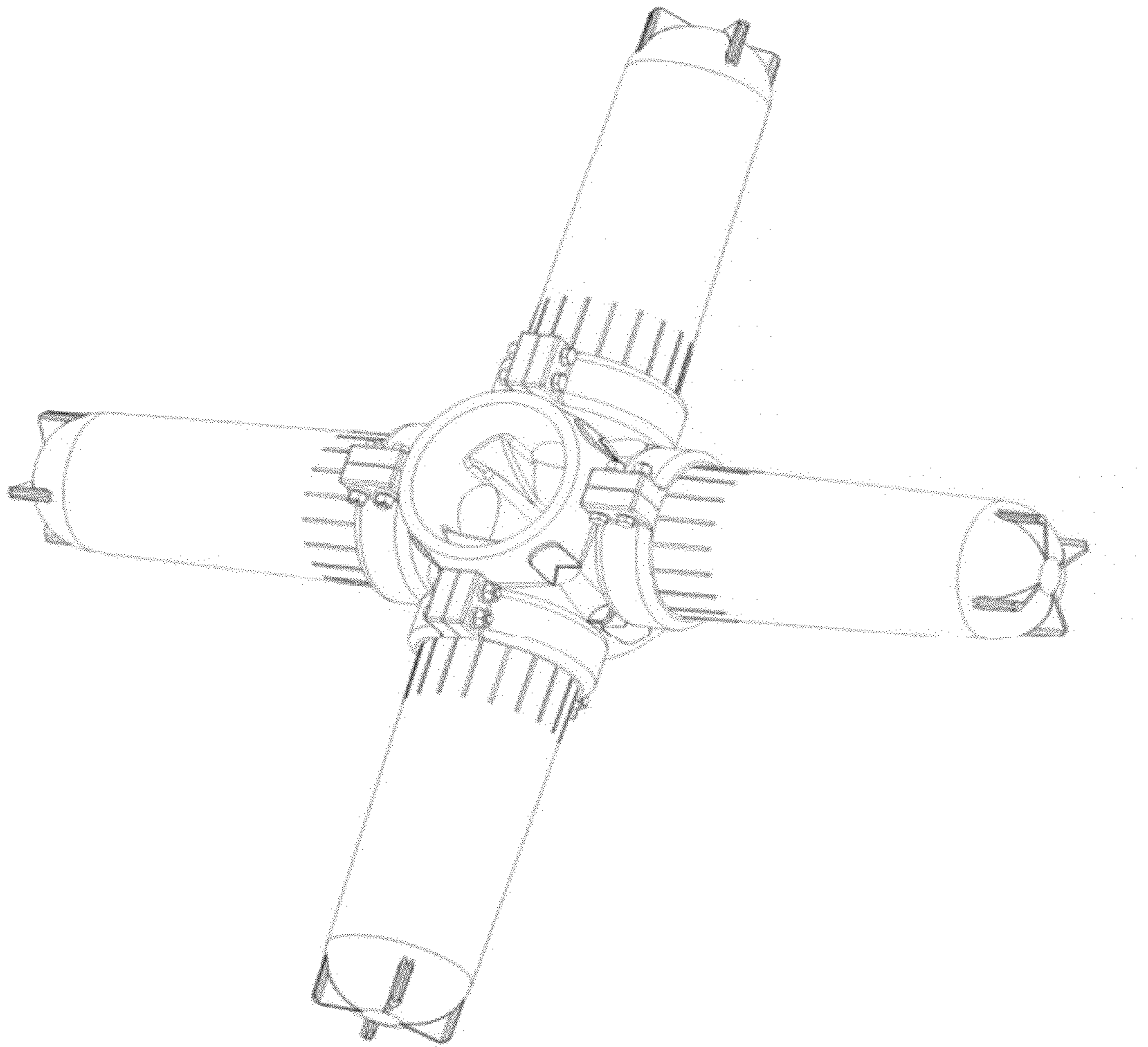


Figure 4