



US00D673644S

(12) **United States Design Patent**
DeLorme

(10) **Patent No.:** **US D673,644 S**
(45) **Date of Patent:** **** Jan. 1, 2013**

(54) **TANK AND CAP ASSEMBLY FOR A SPRAYER**

(75) Inventor: **John D. DeLorme**, Spencerport, NY
(US)

(73) Assignee: **Chapin Manufacturing, Inc.**, Batavia,
NY (US)

(**) Term: **14 Years**

(21) Appl. No.: **29/395,282**

(22) Filed: **Dec. 29, 2011**

(51) **LOC (9) Cl.** **23-01**

(52) **U.S. Cl.** **D23/202; D23/225**

(58) **Field of Classification Search** **D23/202,**
D23/225; 239/302, 308, 332, 333, 337, DIG. 14;
222/465.1, 383.1, 383.3

See application file for complete search history.

(56) **References Cited**

U.S. PATENT DOCUMENTS

D190,773 S	6/1961	Koch
D285,475 S	9/1986	Born
D295,659 S	5/1988	Born
D295,886 S	5/1988	Dolton et al.
D296,813 S	7/1988	Ellison
D311,240 S	10/1990	Born
D327,528 S	6/1992	Sears et al.
D328,422 S	8/1992	Fuchs et al.
D334,705 S	4/1993	Pereira et al.
D336,845 S	6/1993	Carroll et al.
D343,577 S	1/1994	Proctor
D347,788 S	6/1994	Steijns et al.
D356,036 S	3/1995	Hoyt
D366,926 S	2/1996	McGinnity et al.
D386,572 S	11/1997	Radtke et al.
D391,626 S	3/1998	Spriegel
D398,223 S	9/1998	Bertolini et al.
D406,313 S	3/1999	Prosper et al.
D423,641 S	4/2000	Spriegel
D431,279 S	9/2000	Spriegel
D433,624 S	11/2000	Negre
D464,874 S	10/2002	Tune et al.
D466,402 S	12/2002	Cummings et al.

D477,783 S	7/2003	Gilmore et al.
D490,140 S	5/2004	Byron
D490,299 S	5/2004	Byron
6,953,133 B2	10/2005	Englhard et al.
7,032,841 B1	4/2006	Swisher
D529,577 S	10/2006	McGiveron
D529,806 S	10/2006	Cummings
7,118,050 B1	10/2006	Chen
7,237,729 B2	7/2007	Chen
D557,140 S	12/2007	Voight et al.
D564,068 S	3/2008	Campbell
7,347,386 B2	3/2008	Chen
D570,447 S	6/2008	Hillhouse
D581,805 S	12/2008	Suxdorf
D582,512 S	12/2008	Fontaine

(Continued)

OTHER PUBLICATIONS

U.S. Trademark Registration No. 2,587,356, Registered Jul. 2, 2002;
The mark consists of the Configuration of a Hand-Operated Portable
Sprayer, Highlighted by Decorative "ribs" on the Front and Right
Sides Thereof.

(Continued)

Primary Examiner — Robin V Webster

(74) *Attorney, Agent, or Firm* — Kenneth J. Lukacher;
Martin Lukacher

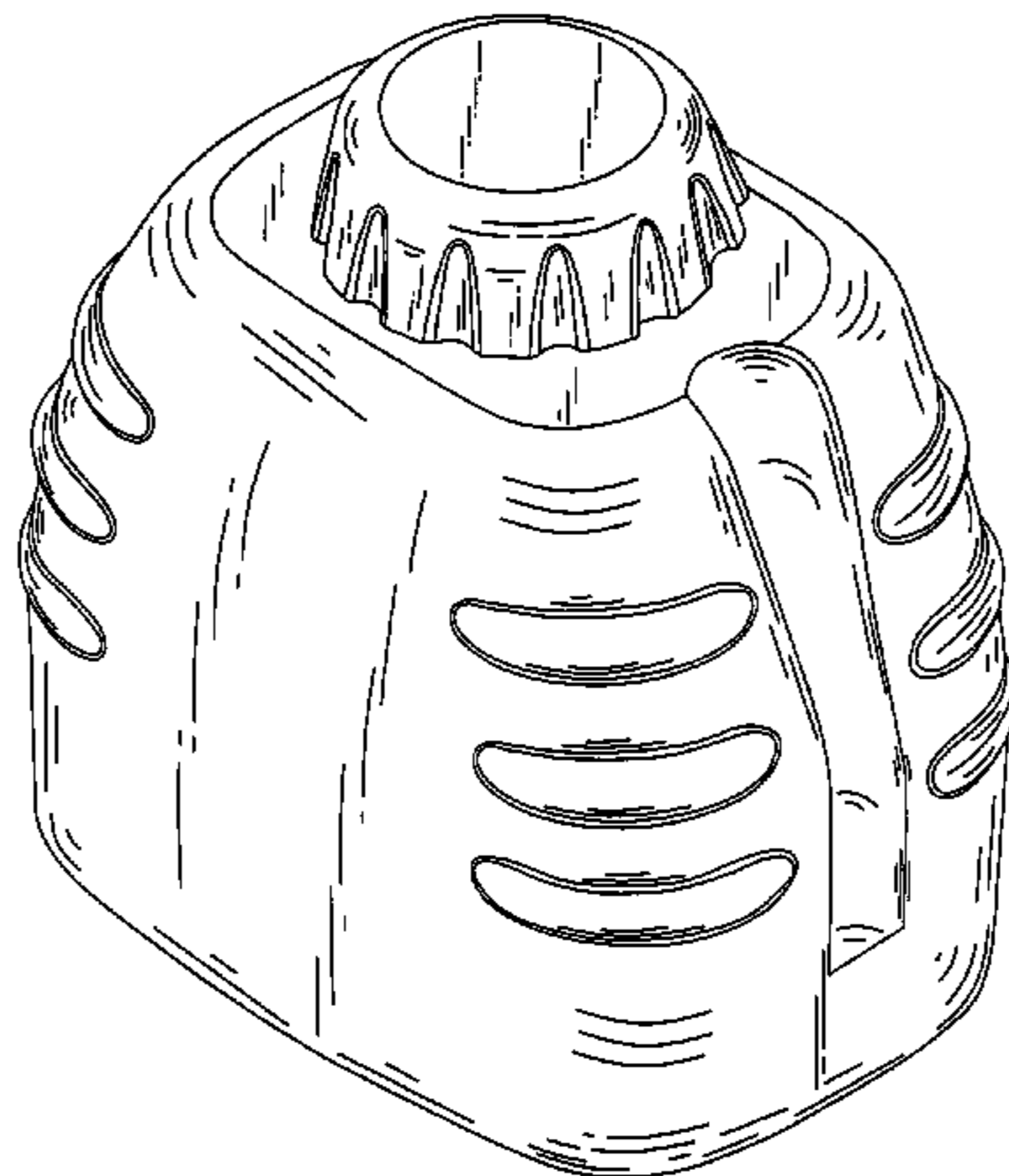
(57) **CLAIM**

The ornamental design for a tank and cap assembly for a
sprayer, as shown and described.

DESCRIPTION

FIG. 1 is a perspective view from the right side of a tank and
cap assembly for a sprayer showing my design;
FIG. 2 is a top view thereof;
FIG. 3 is a right side view thereof;
FIG. 4 is a left side view thereof;
FIG. 5 is a bottom view thereof;
FIG. 6 is a front view thereof; and,
FIG. 7 is a rear view thereof.

1 Claim, 7 Drawing Sheets



US D673,644 S

Page 2

U.S. PATENT DOCUMENTS

D590,043 S 4/2009 Campbell
D591,387 S 4/2009 Campbell
D602,117 S 10/2009 Fontaine
D604,385 S 11/2009 Fontaine
D604,386 S 11/2009 Campbell
D614,263 S 4/2010 Hudson et al.
D618,300 S 6/2010 Hudson et al.
D633,984 S * 3/2011 Plantz D23/225
D643,905 S 8/2011 DeLorme

D647,999 S 11/2011 Hudson et al.
D652,111 S 1/2012 DeLorme
D653,305 S 1/2012 Hudson et al.
2007/0114302 A1 5/2007 Wu
2007/0278326 A1 12/2007 Wu

OTHER PUBLICATIONS

Spectracide, Weed & Grass Killer, Tank and Cap, 2010.

* cited by examiner

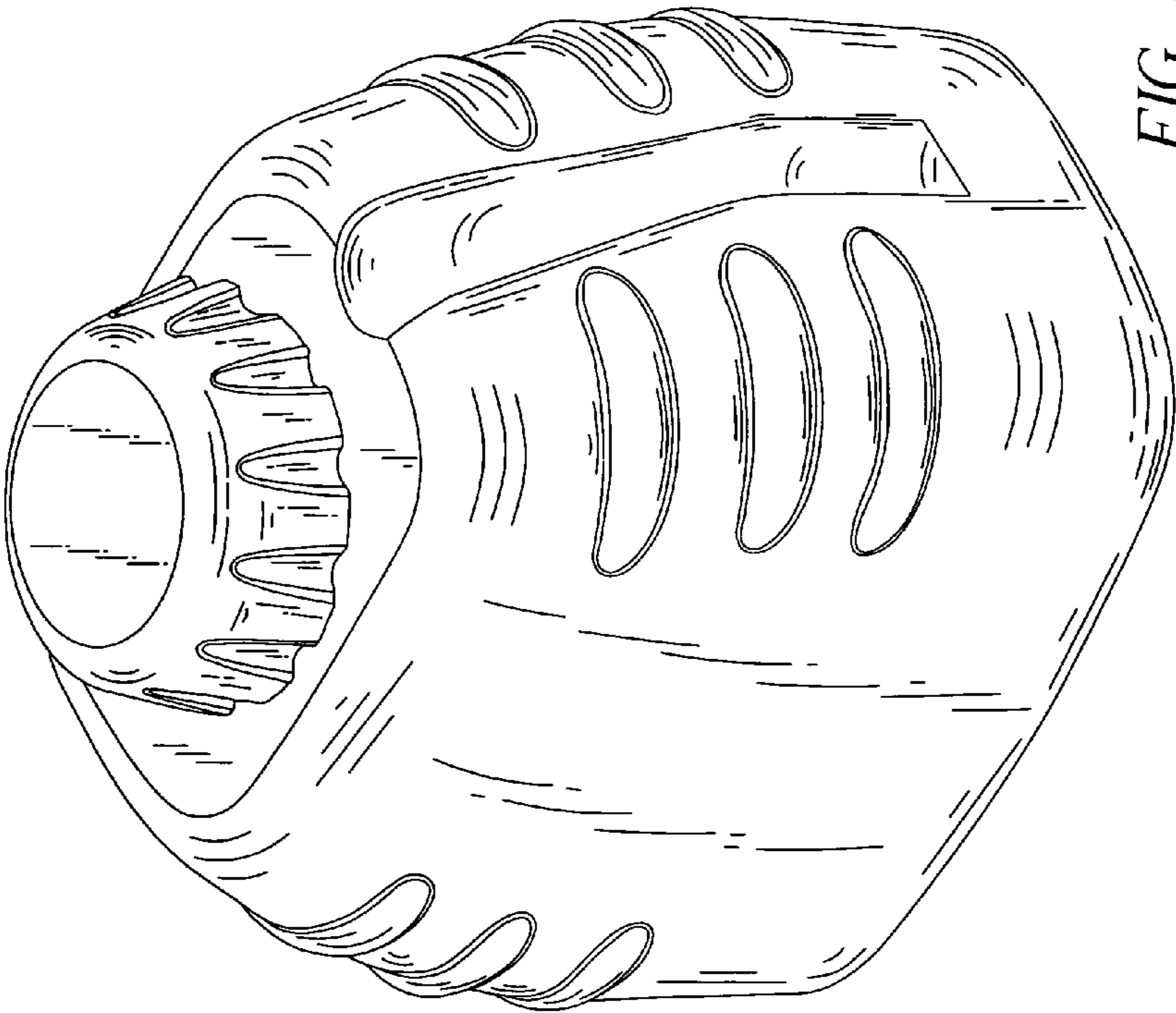


FIG. 1

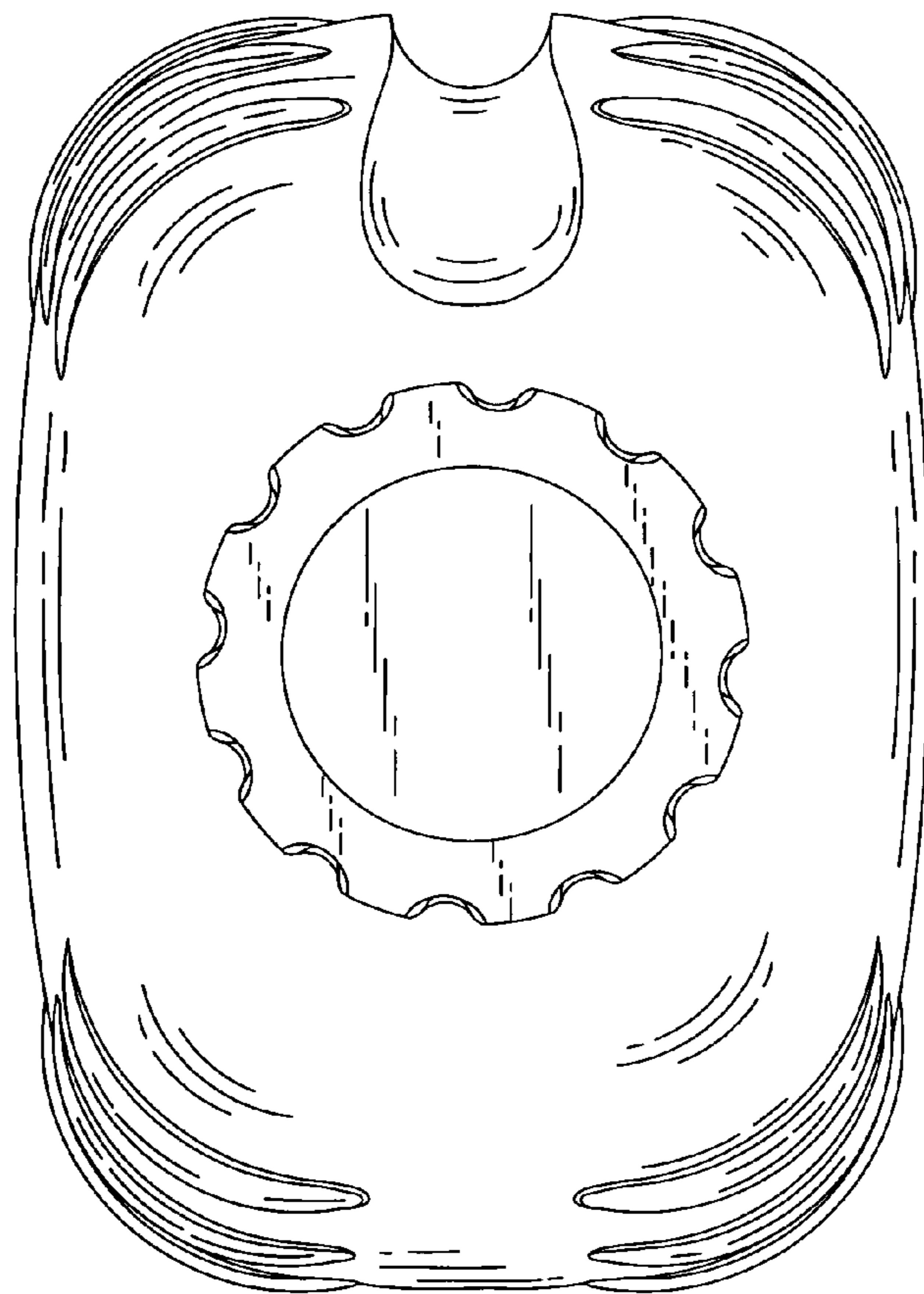


FIG. 2

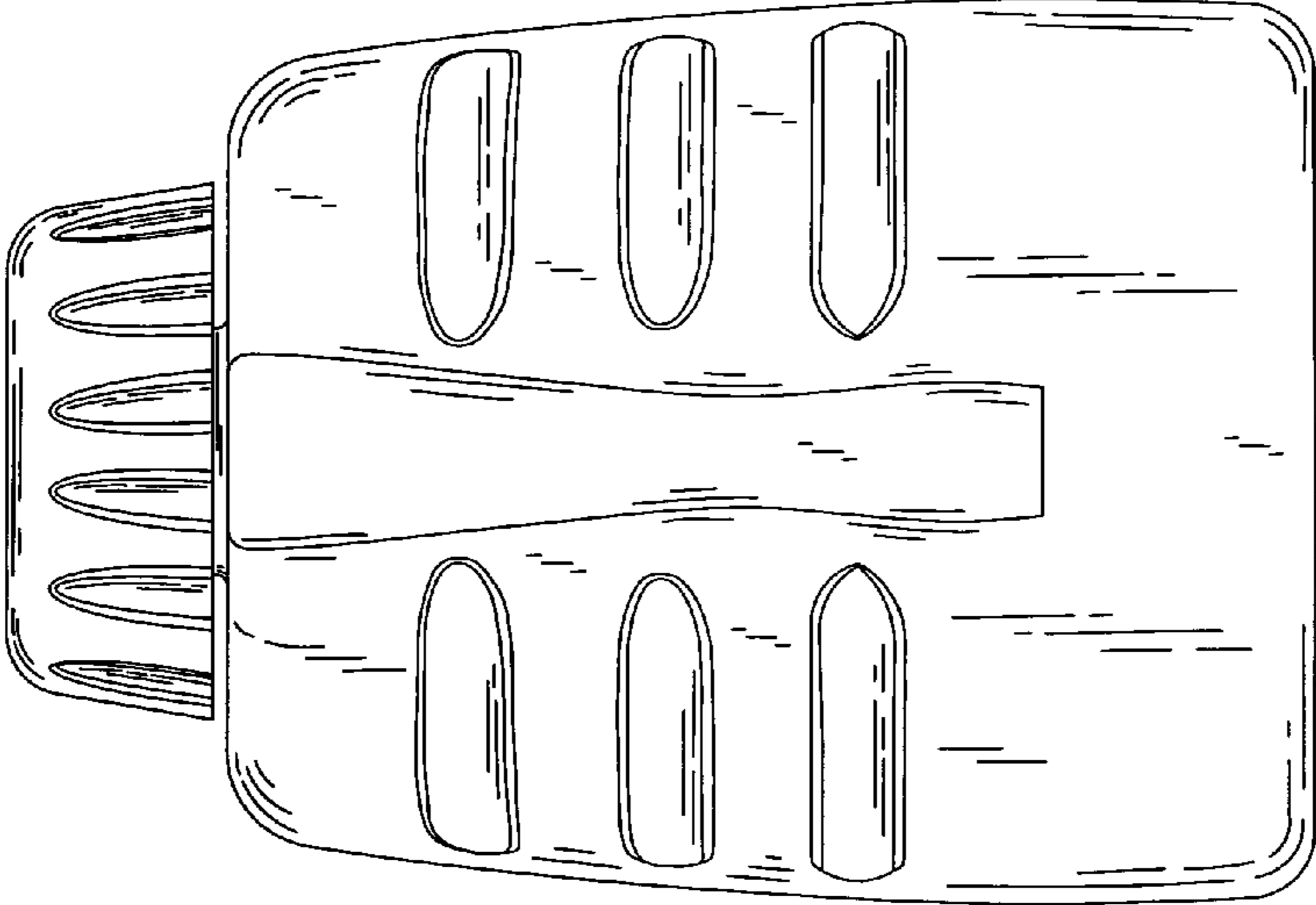


FIG. 3

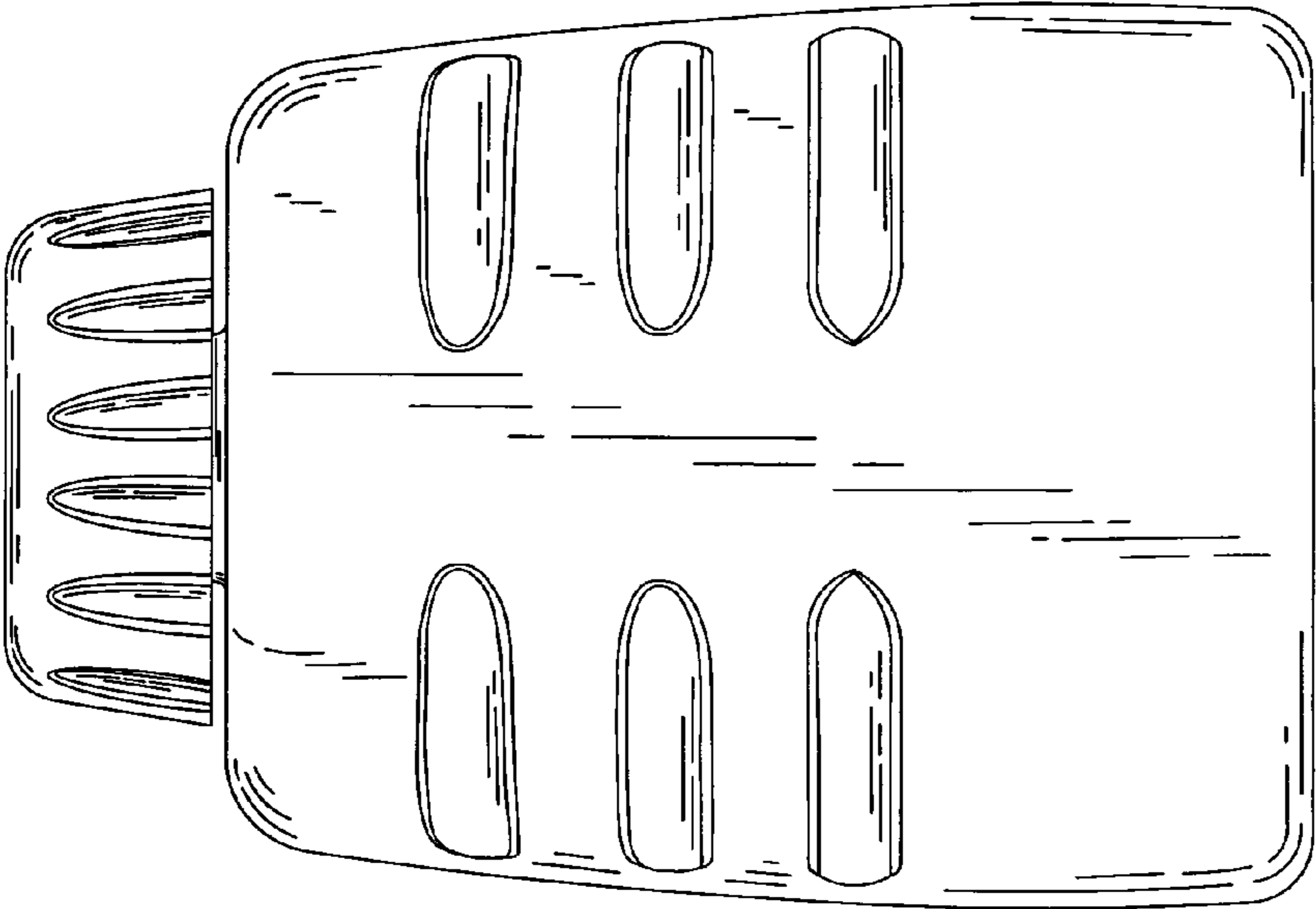


FIG. 4

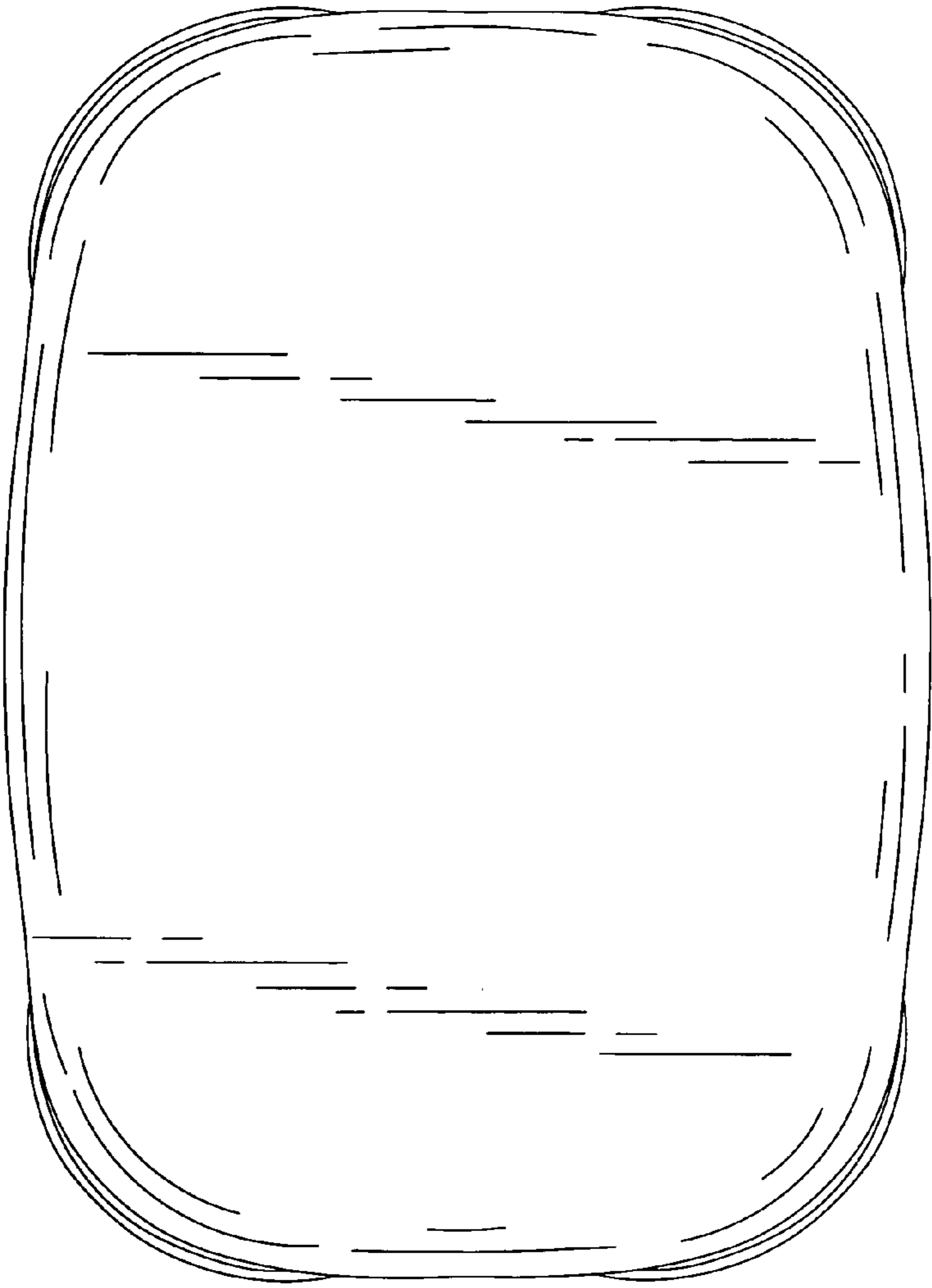


FIG. 5

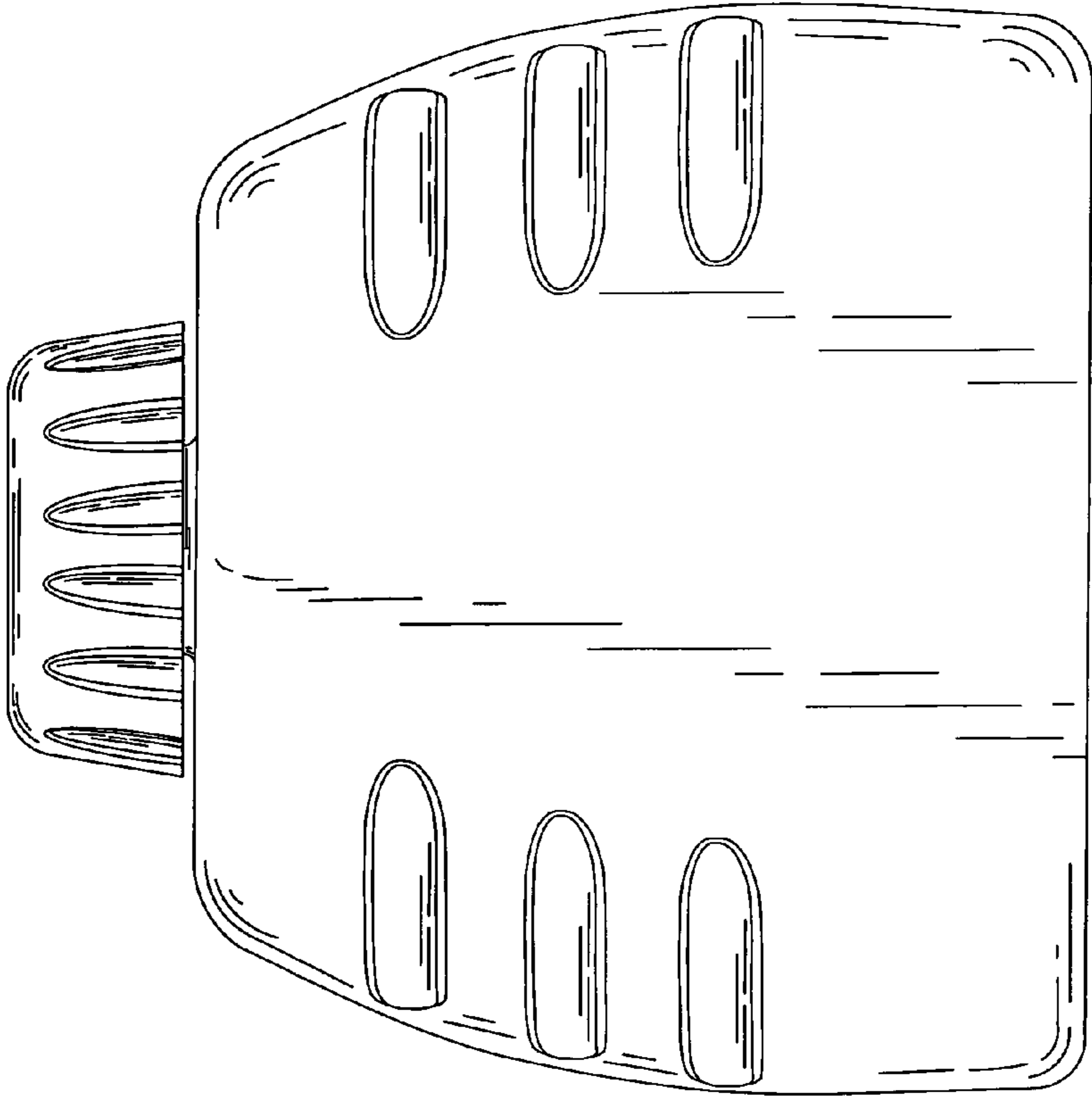


FIG. 6

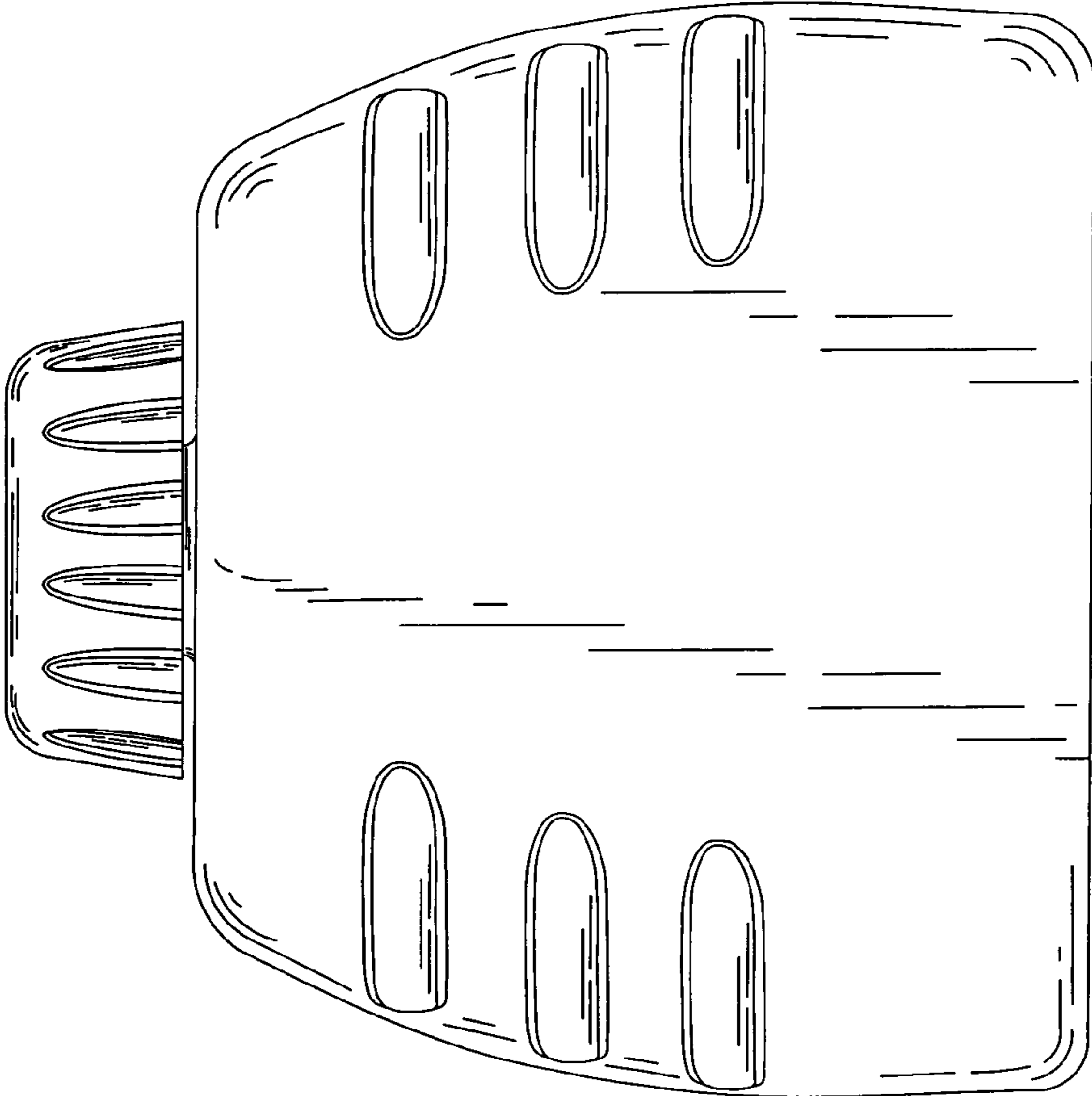


FIG. 7