



US00D673642S

(12) **United States Design Patent**
Robinson

(10) **Patent No.:** **US D673,642 S**
(45) **Date of Patent:** **** Jan. 1, 2013**

(54) **INSECT TRAP**

(76) Inventor: **Barry Robinson, Culpeper, VA (US)**

(**) Term: **14 Years**

(21) Appl. No.: **29/408,848**

(22) Filed: **Dec. 16, 2011**

(51) **LOC (9) Cl.** **22-06**

(52) **U.S. Cl.** **D22/122**

(58) **Field of Classification Search** D22/119-124;
43/58, 60-61, 65-66, 69-70, 112-113, 121,
43/124, 131, 132.1; D10/106.2, 106.3, 106.5;
D26/72, 74

See application file for complete search history.

(56) **References Cited**

U.S. PATENT DOCUMENTS

4,566,220	A	*	1/1986	Justice	43/113
D358,443	S	*	5/1995	Demarest et al.	D22/122
D422,670	S	*	4/2000	Kemmis	D22/122
D425,961	S	*	5/2000	Kemmis	D22/122
D508,548	S	*	8/2005	Soner et al.	D22/122

D514,656	S	*	2/2006	Jean	D22/122
D641,645	S	*	7/2011	Suzuki et al.	D10/106.5
D650,882	S	*	12/2011	wi toslawski	D22/122

* cited by examiner

Primary Examiner — Catheri Oliver-Garcia

(74) *Attorney, Agent, or Firm* — Ober, Kaler, Grimes & Shriver; Royal W. Craig

(57) **CLAIM**

The ornamental design for an insect trap, as shown and described.

DESCRIPTION

FIG. 1 is a bottom perspective view of the insect trap according to a preferred embodiment of my new design.

FIG. 2 is a top perspective view of the insect trap as in FIG. 1.

FIG. 3 is a right side view of the insect trap as in FIGS. 1-2.

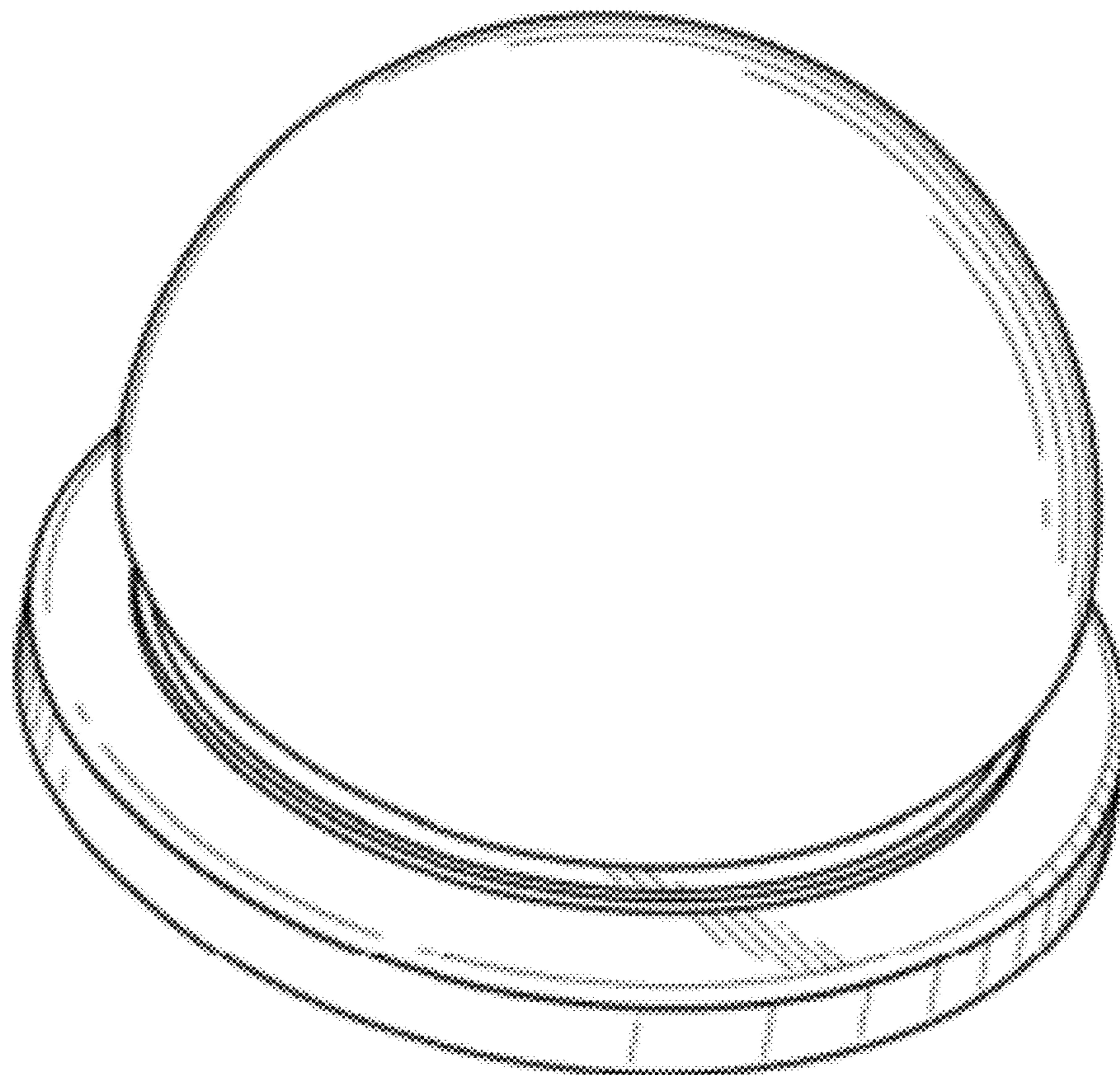
FIG. 4 is a left side view of the insect trap as in FIGS. 1-3.

FIG. 5 is a bottom plan view of the insect trap as in FIGS. 1-4; and,

FIG. 6 is a top plan view of the insect trap as in FIGS. 1-5.

The design of the present invention and as shown in FIGS. 1-6 is an insect trap having the ornamental appearance of a smoke detector.

1 Claim, 2 Drawing Sheets



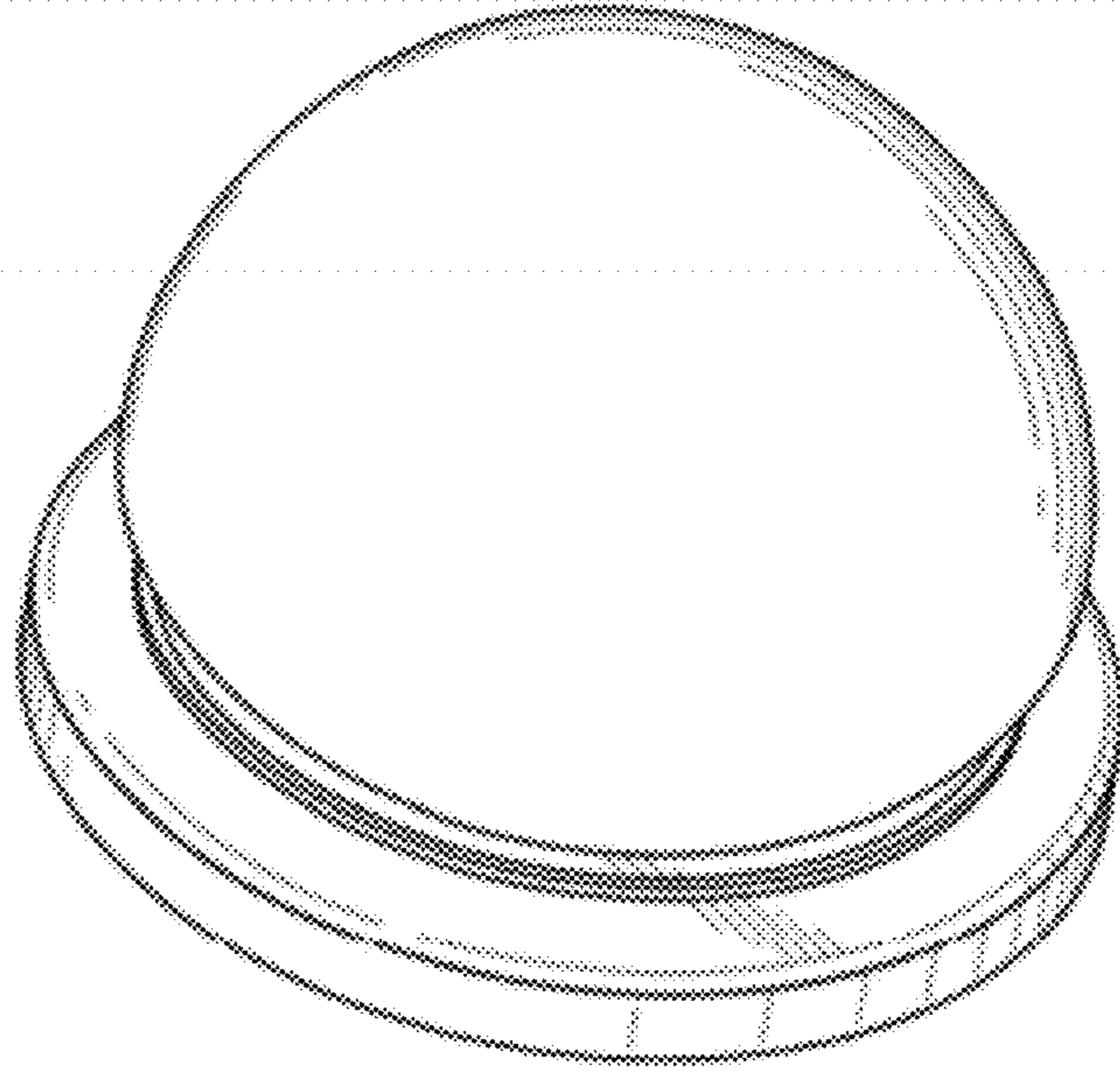


Fig. 1

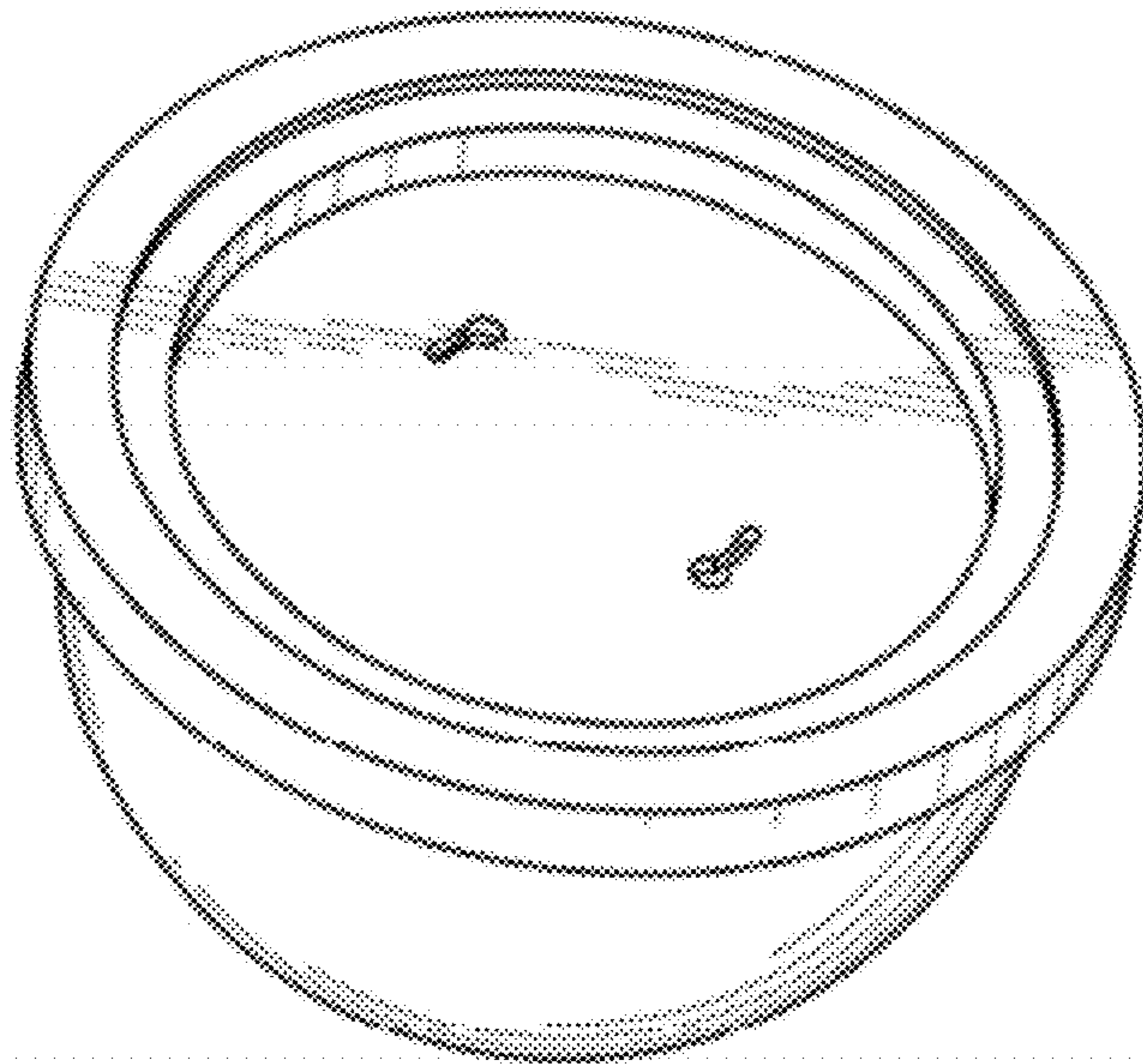


Fig. 2

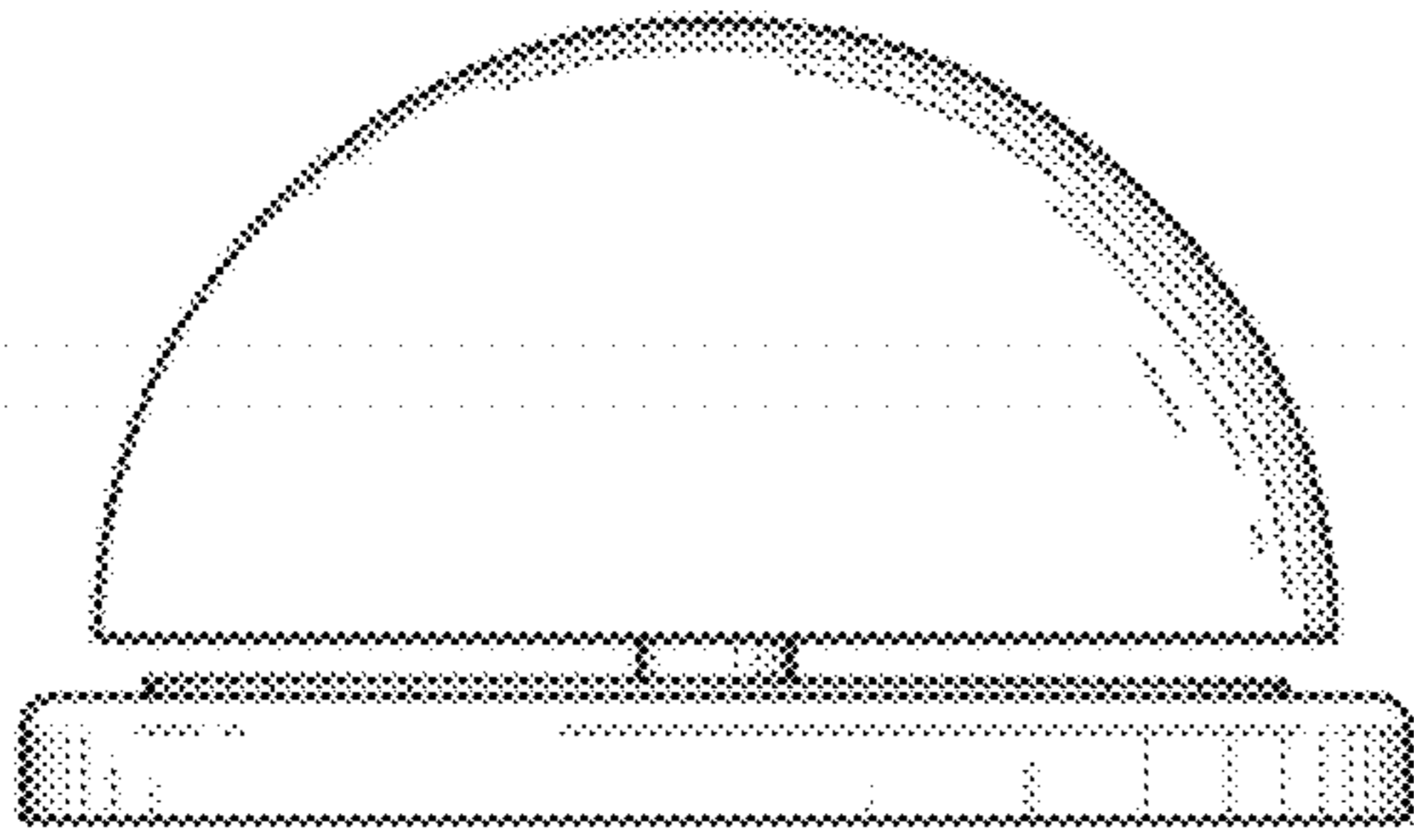


Fig. 3

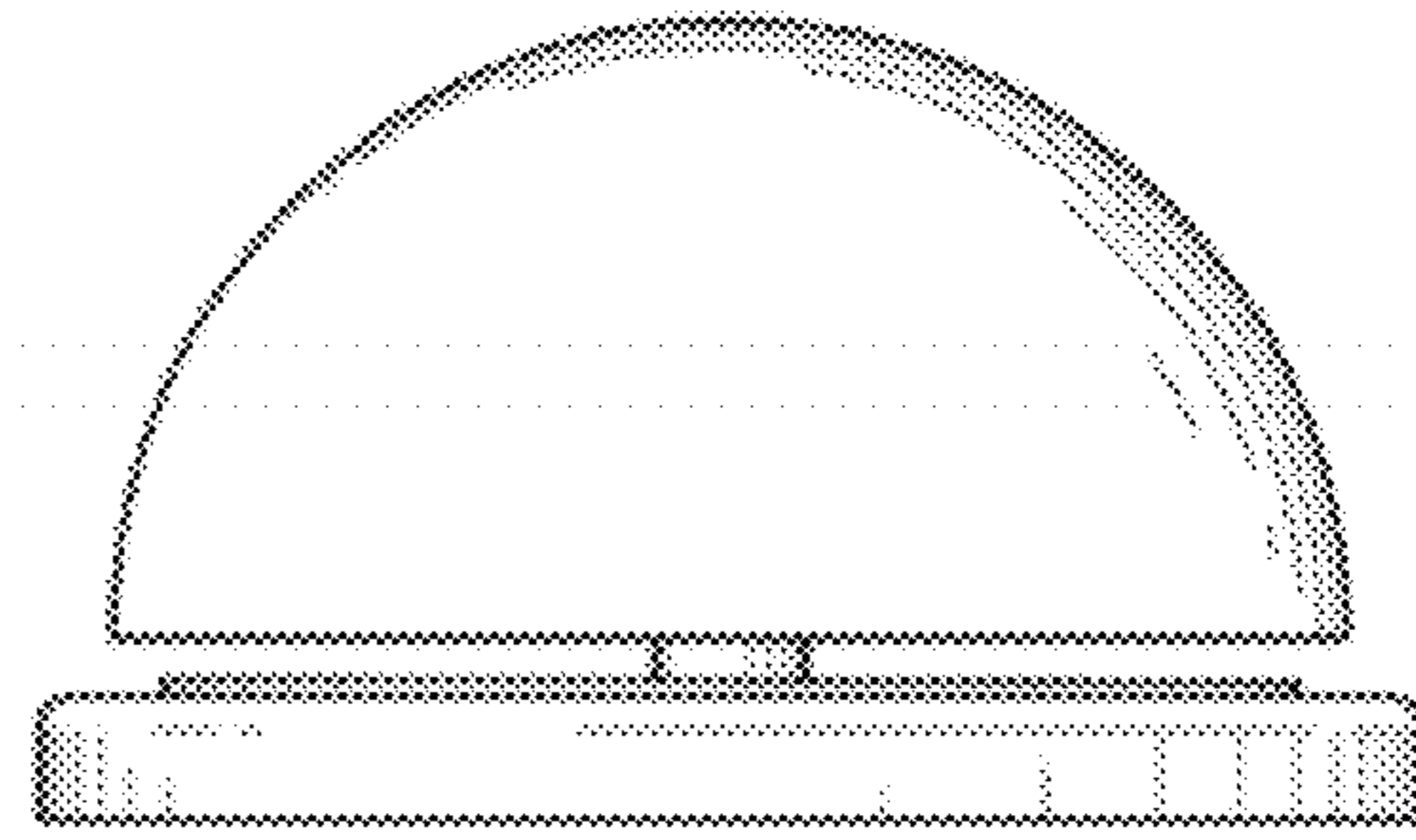


Fig. 4

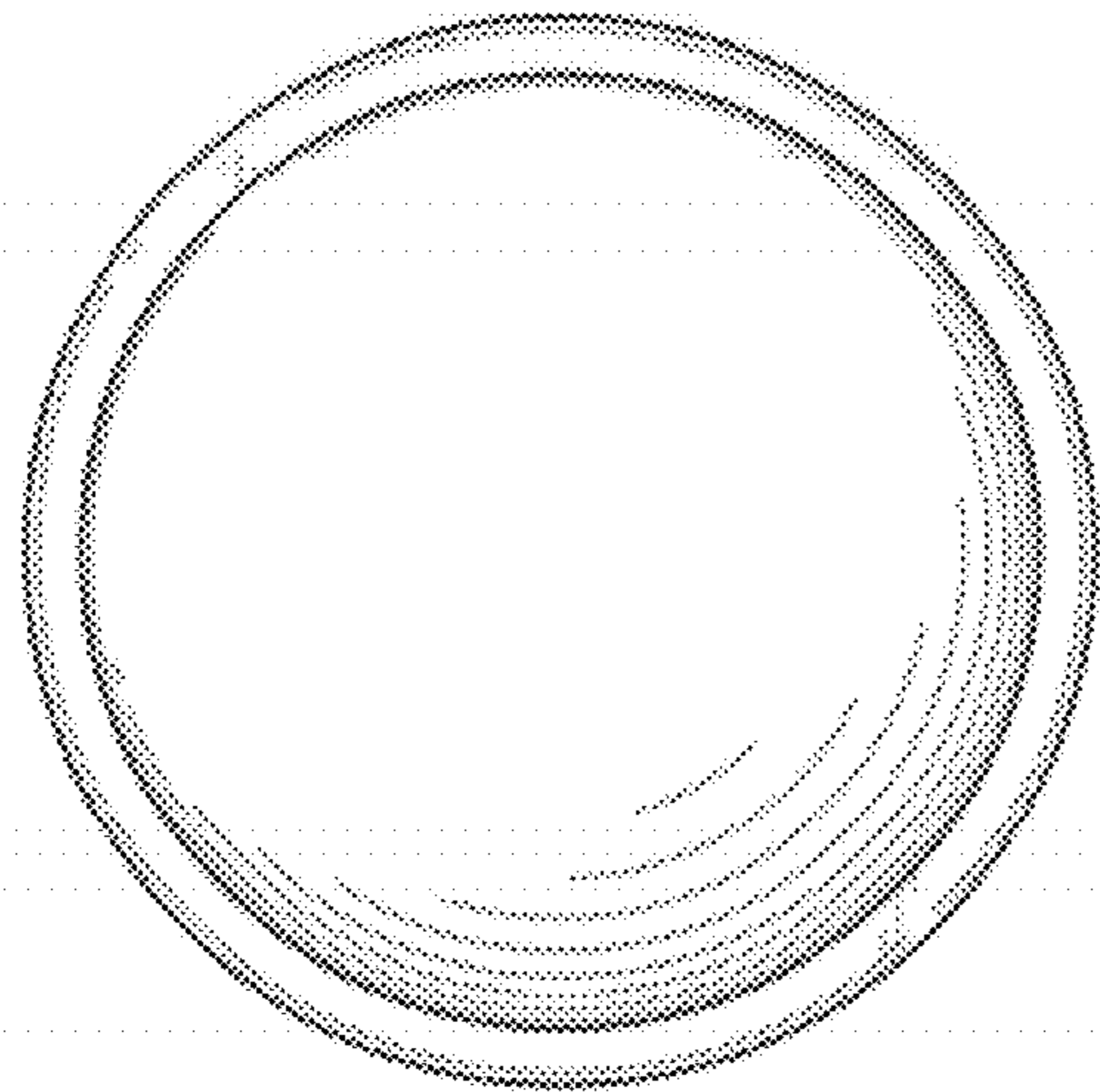


Fig. 5

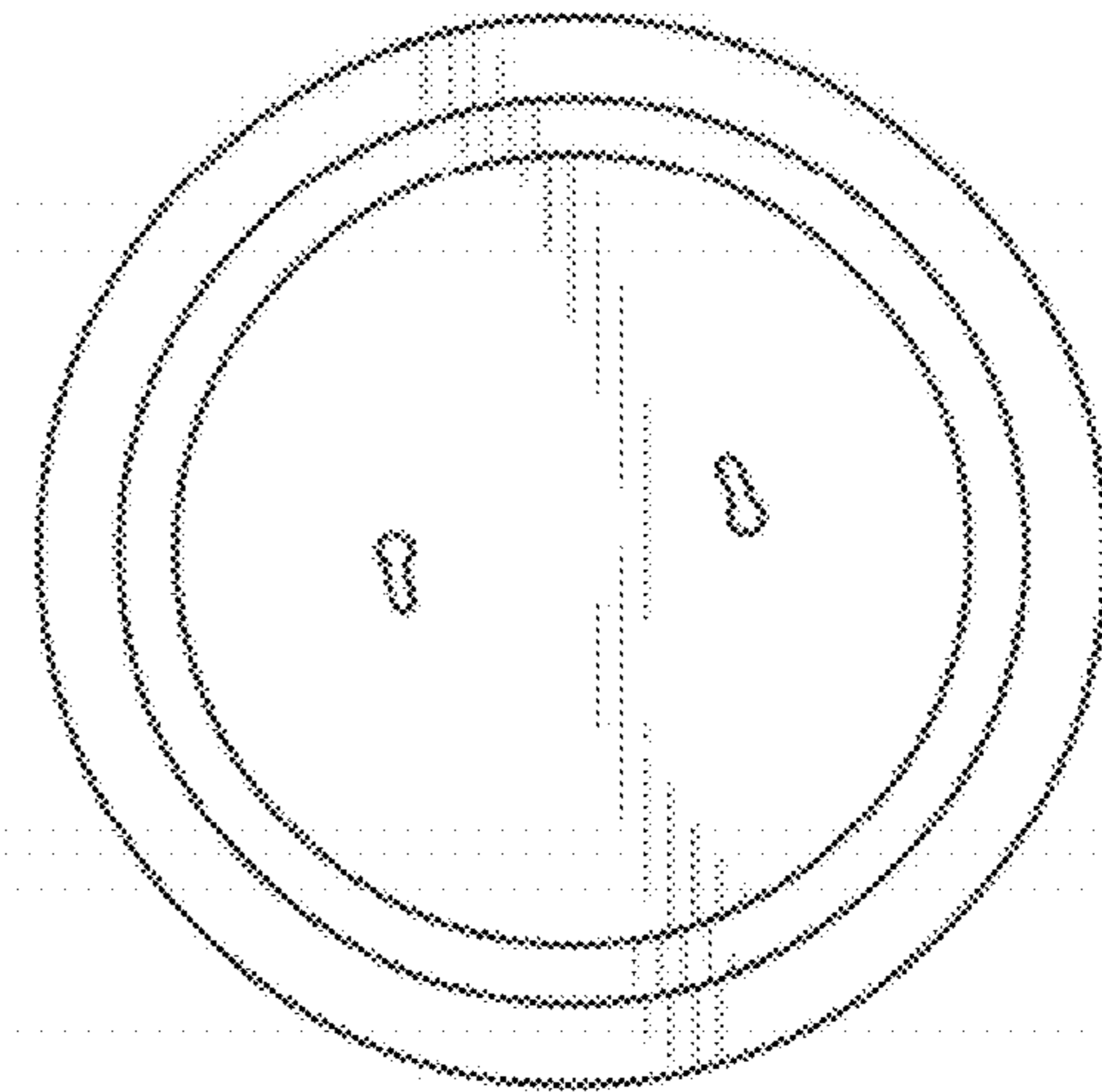


Fig. 6