



US00D673641S

(12) **United States Design Patent**  
**Robinson**

(10) **Patent No.:** **US D673,641 S**

(45) **Date of Patent:** **\*\* Jan. 1, 2013**

(54) **INSECT TRAP**

(76) **Inventor:** **Barry Robinson, Culpeper, VA (US)**

(\*\*) **Term:** **14 Years**

(21) **Appl. No.:** **29/408,846**

(22) **Filed:** **Dec. 16, 2011**

(51) **LOC (9) Cl.** ..... **22-06**

(52) **U.S. Cl.** ..... **D22/122**

(58) **Field of Classification Search** ..... D22/119-124;  
43/58, 60-61, 65-66, 69-70, 112-113, 121,  
43/124, 131, 132.1; D10/106.2, 106.3, 106.5;  
D26/72, 74

See application file for complete search history.

(56) **References Cited**

**U.S. PATENT DOCUMENTS**

4,566,220	A	*	1/1986	Justice	.....	43/113
D358,443	S	*	5/1995	Demarest et al.	.....	D22/122
D422,670	S	*	4/2000	Kemmis	.....	D22/122
D425,961	S	*	5/2000	Kemmis	.....	D22/122
D508,548	S	*	8/2005	Soner et al.	.....	D22/122
D514,656	S	*	2/2006	Jean	.....	D22/122

D581,081	S	*	11/2008	Mier-Langner	.....	D26/72
D627,670	S	*	11/2010	Gonzales	.....	D10/106.5
D641,645	S	*	7/2011	Suzuki et al.	.....	D10/106.5

\* cited by examiner

*Primary Examiner* — Catheri Oliver-Garcia

(74) *Attorney, Agent, or Firm* — Ober, Kaler, Grimes & Shriver; Royal W. Craig

(57) **CLAIM**

The ornamental design for an insect trap, as shown and described.

**DESCRIPTION**

FIG. 1 is a bottom perspective view of the insect trap according to a preferred embodiment of my new design.

FIG. 2 is a top perspective view of the insect trap as in FIG. 1.

FIG. 3 is a right side view of the insect trap as in FIGS. 1-2.

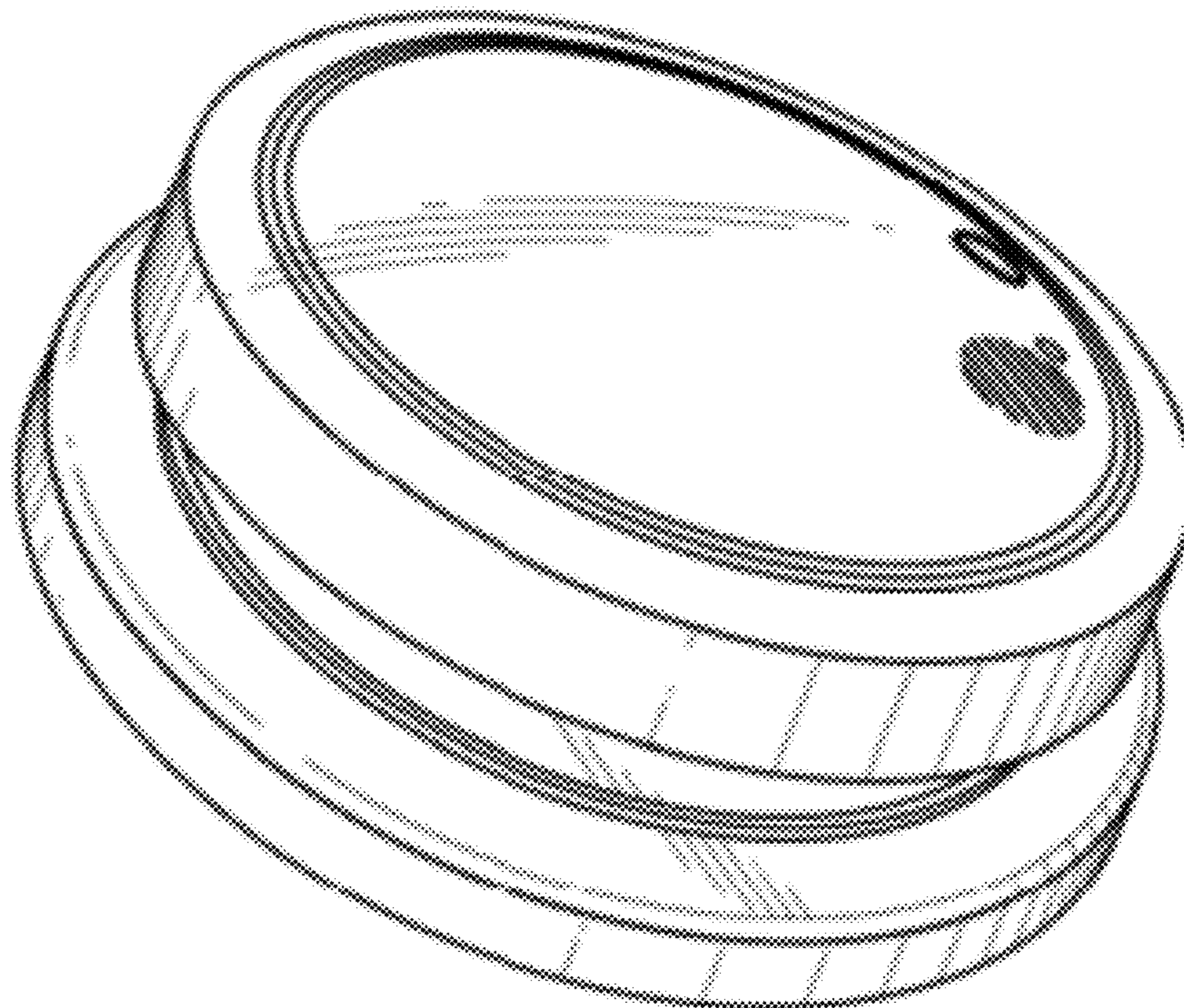
FIG. 4 is a left side view of the insect trap as in FIGS. 1-3.

FIG. 5 is a bottom plan view of the insect trap as in FIGS. 1-4; and,

FIG. 6 is a top plan view of the insect trap as in FIGS. 1-5.

The design of the present invention and as shown in FIGS. 1-6 is an insect trap having the ornamental appearance of a smoke detector.

**1 Claim, 2 Drawing Sheets**



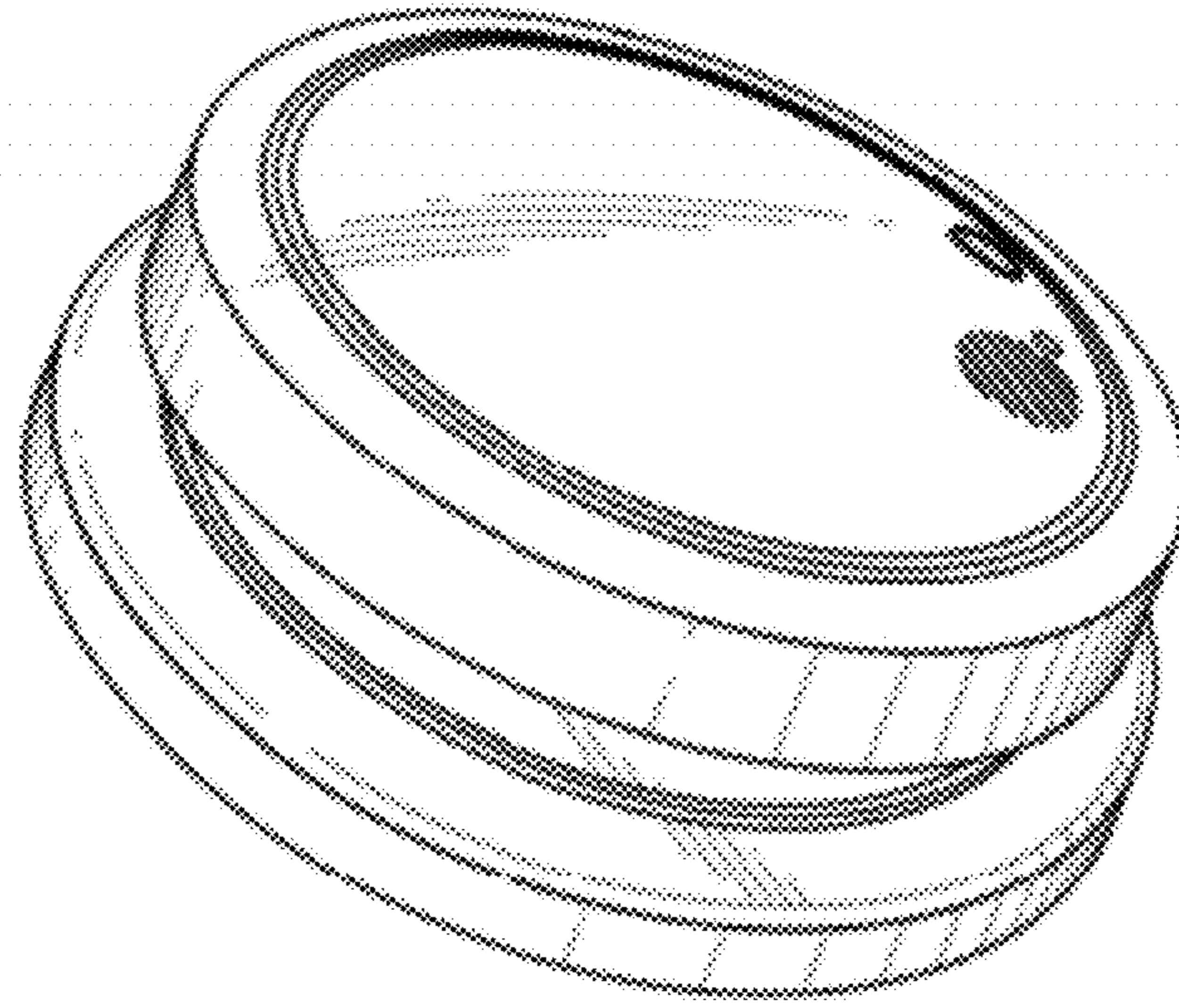


Fig. 1

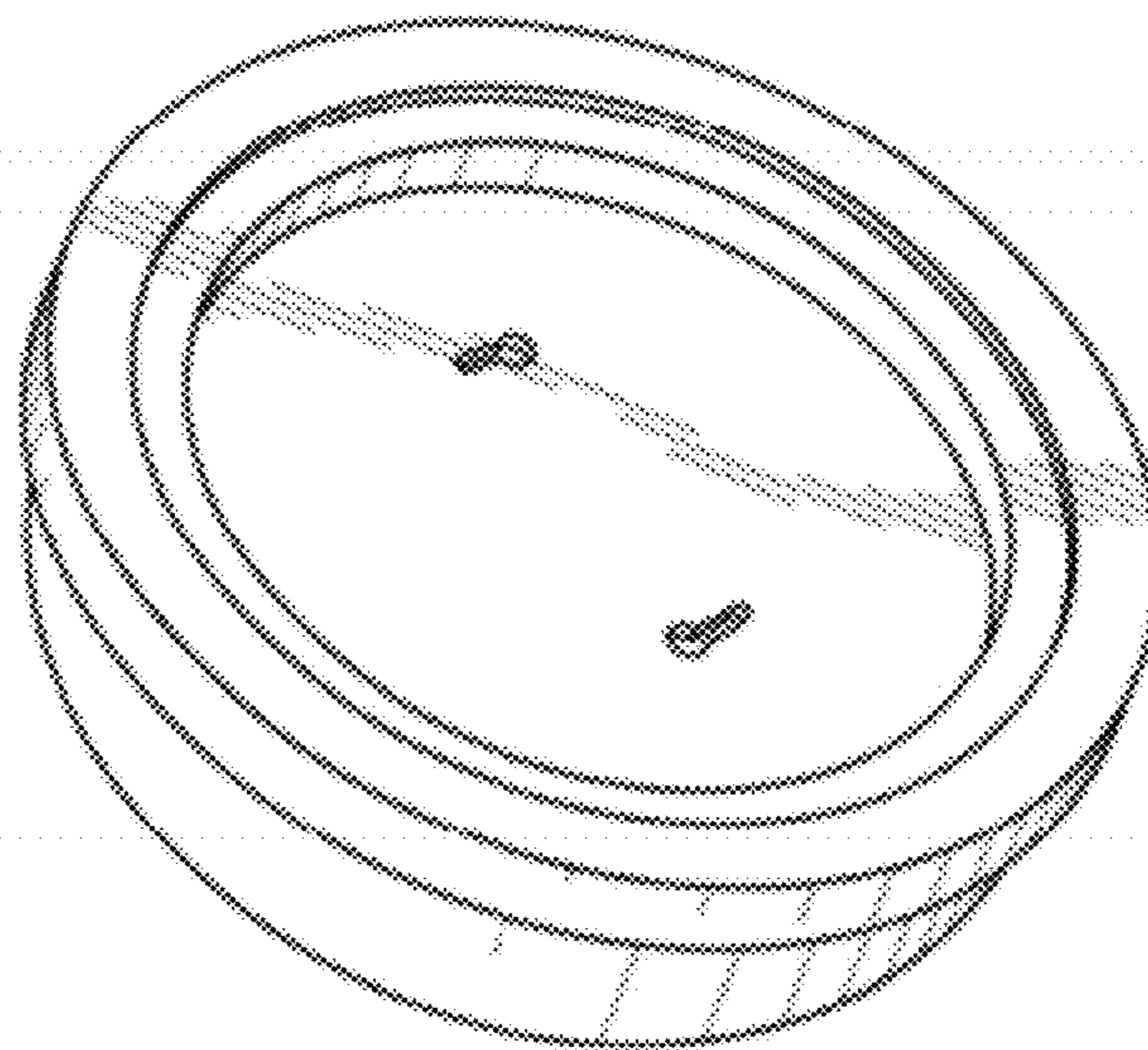


Fig. 2



Fig. 3



Fig. 4

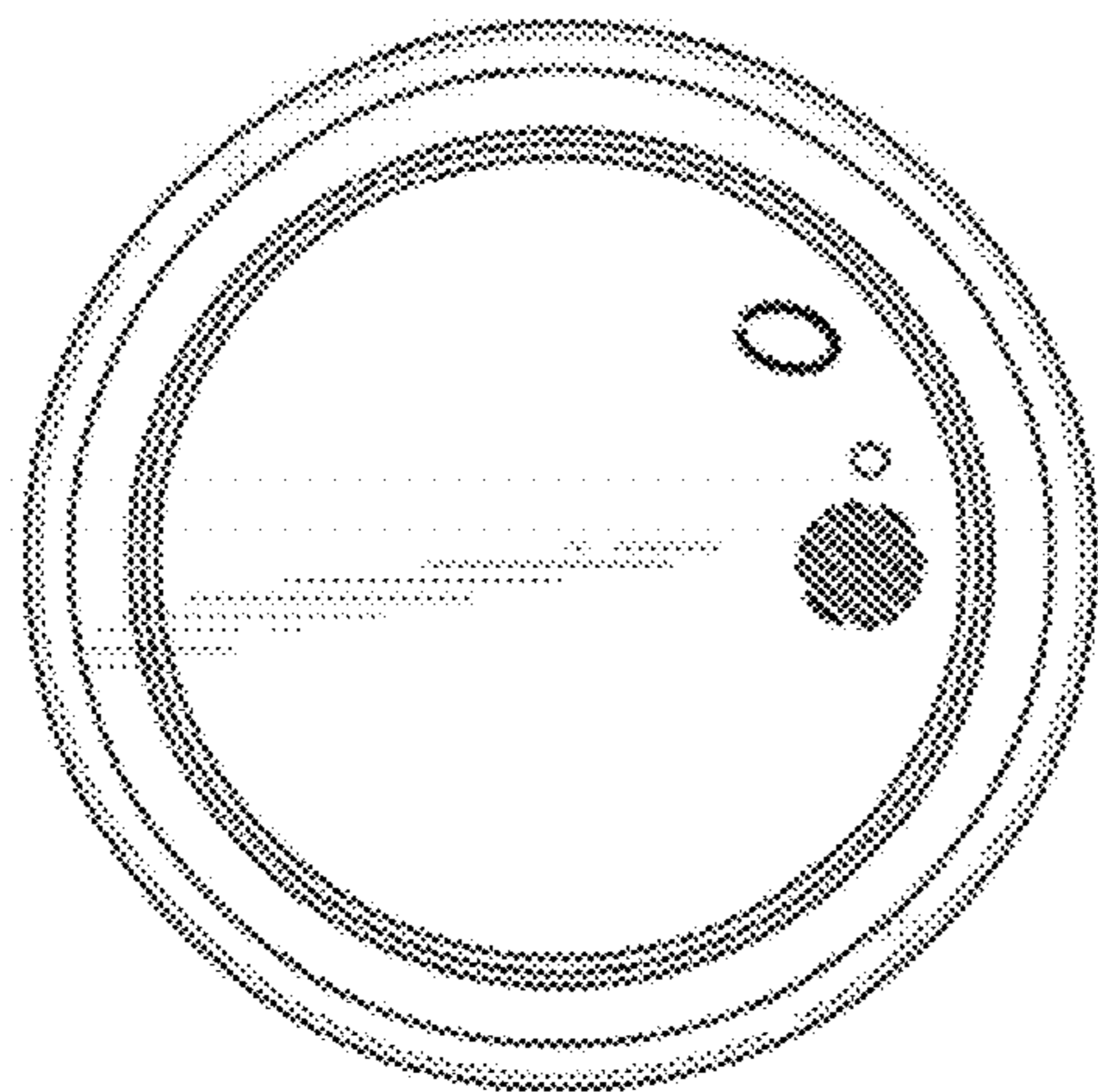


Fig. 5

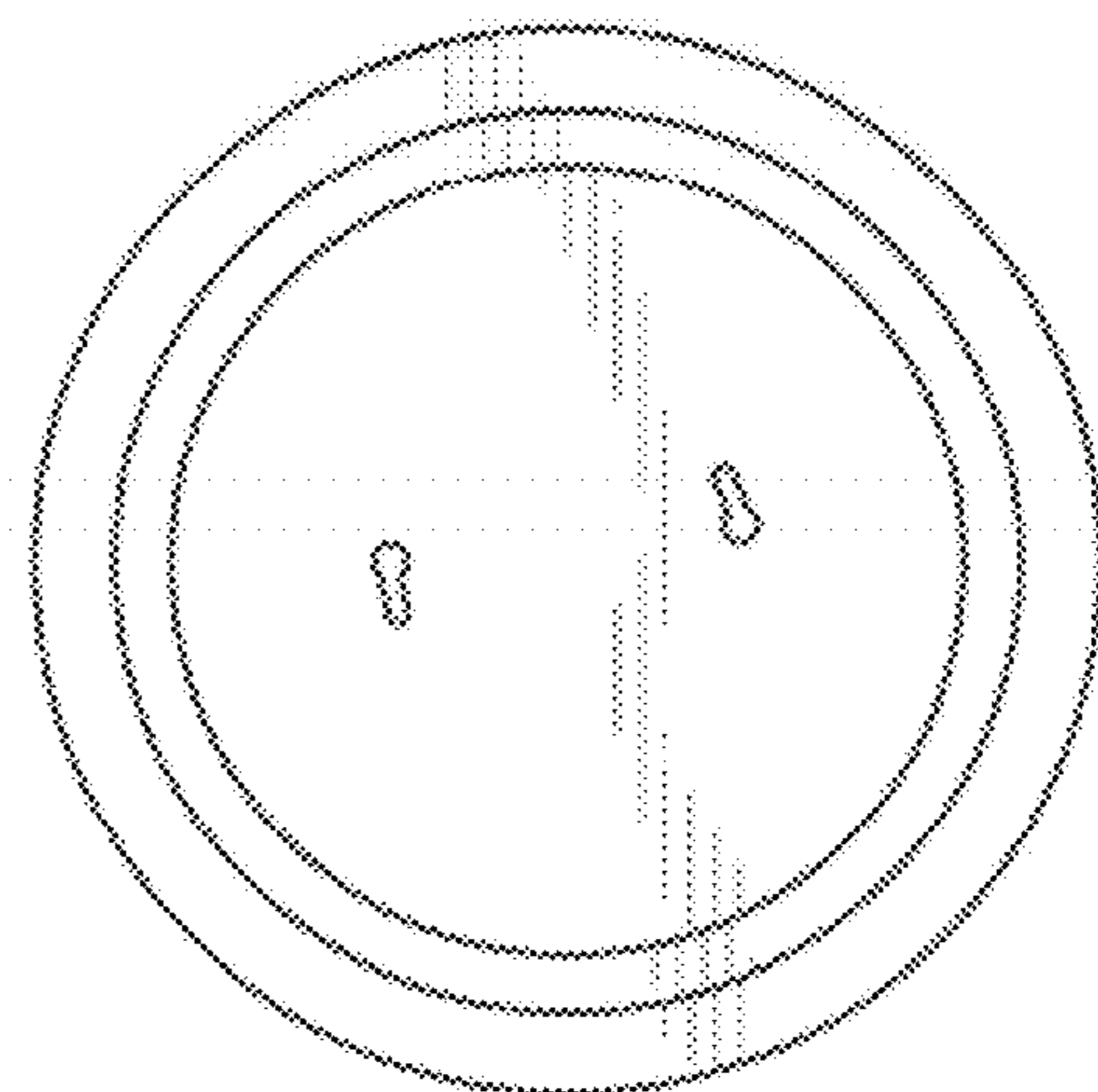


Fig. 6