



US00D673640S

(12) **United States Design Patent**
Bailey et al.

(10) **Patent No.:** **US D673,640 S**
(45) **Date of Patent:** **** Jan. 1, 2013**

(54) **MOUSETRAP**

(75) Inventors: **Paul Peter Bailey**, Hillsborough, NJ (US); **Duncan McLeod Watson**, Montvale, NJ (US)

(73) Assignee: **Reckitt & Colman (Overseas) Limited**, Slough, Berkshire (GB)

(**) Term: **14 Years**

(21) Appl. No.: **29/412,906**

(22) Filed: **Feb. 9, 2012**

(51) **LOC (9) Cl.** **22-06**

(52) **U.S. Cl.** **D22/119**

(58) **Field of Classification Search** D22/119-124;
43/58, 60-61, 65-66, 69-70, 81, 81.5, 82-83,
43/83.5, 121, 124, 131, 132.1
See application file for complete search history.

(56) **References Cited**

U.S. PATENT DOCUMENTS

D151,691 S *	11/1948	Haggstrom	D22/119
D155,512 S *	10/1949	Jones	D22/119
5,172,512 A	12/1992	Bodker et al.		
D621,900 S *	8/2010	Cink et al.	D22/119

D632,756 S *	2/2011	Studer et al.	D22/119
7,954,275 B2 *	6/2011	Frisch	43/81
7,987,628 B2 *	8/2011	Le Laidier et al.	43/61

* cited by examiner

Primary Examiner — Catheri Oliver-Garcia

(74) *Attorney, Agent, or Firm* — Norris McLaughlin & Marcus PA

(57) **CLAIM**

The ornamental design for a mousetrap, as shown and described.

DESCRIPTION

FIG. 1 is a perspective view showing the top and a side and the rear of the mousetrap;
FIG. 2 is a side elevation view of the mousetrap;
FIG. 3 is an opposite side elevation view of the mousetrap;
FIG. 4 is a front elevation view of the mousetrap;
FIG. 5 is a rear elevation view of the mousetrap;
FIG. 6 is a plan view of the top of the mousetrap,
FIG. 7 is a plan view of the bottom of the mousetrap; and,
FIG. 8 is a further perspective view showing the top, front and a side of the mousetrap.

The broken line showing of environment in the drawings is included for the purpose of illustrating only and forms no part of the claimed design.

1 Claim, 5 Drawing Sheets

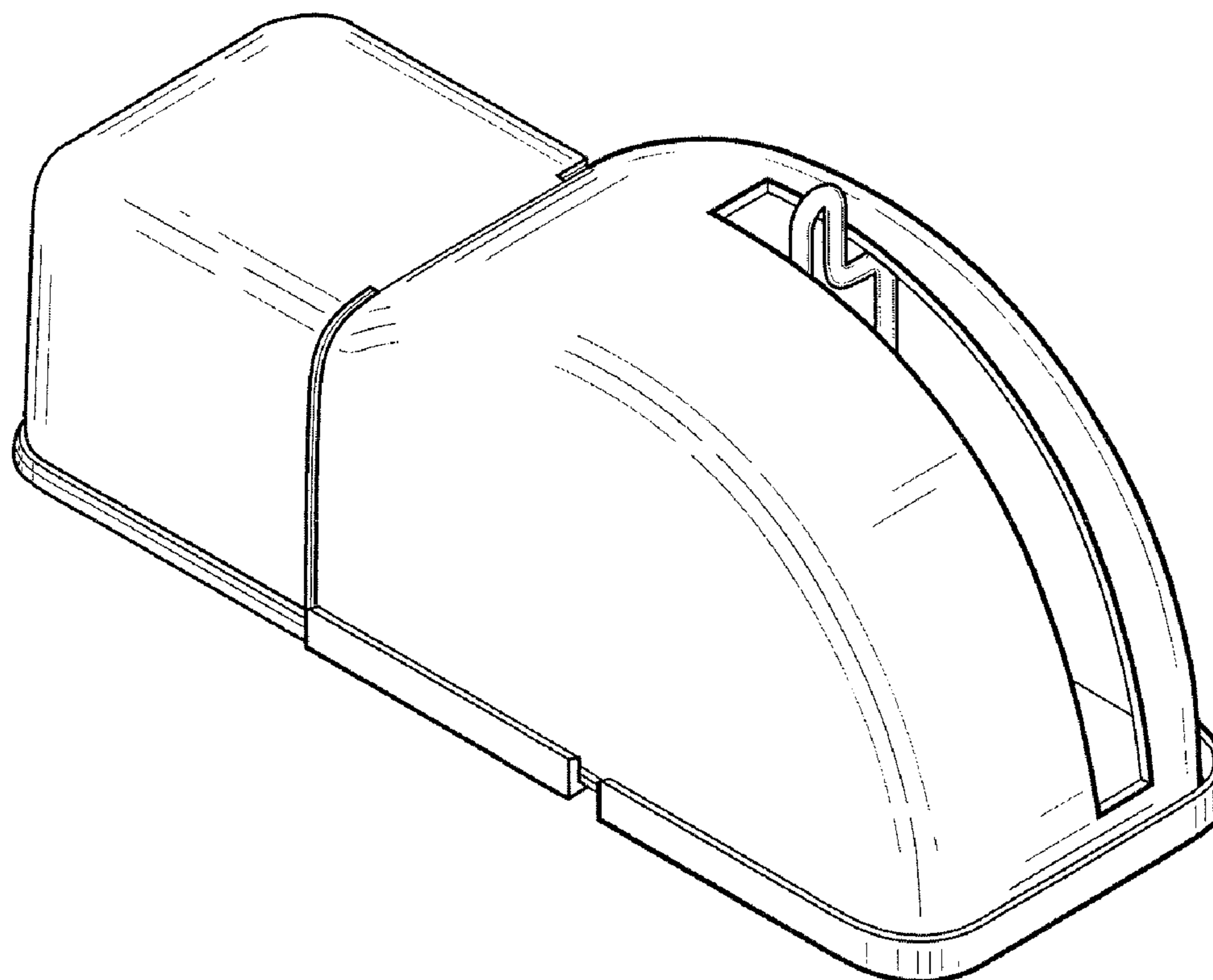


FIG. 1

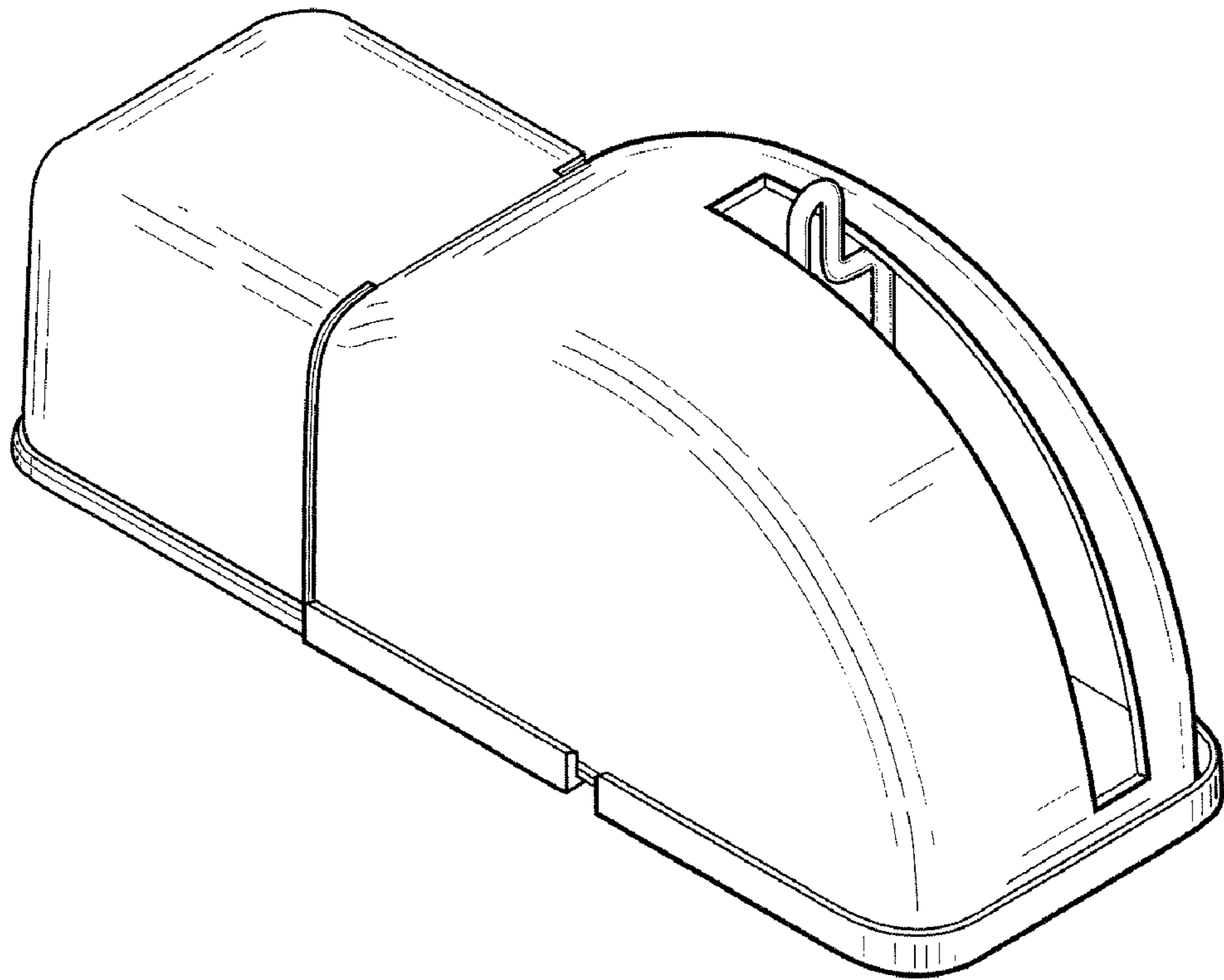


FIG. 2

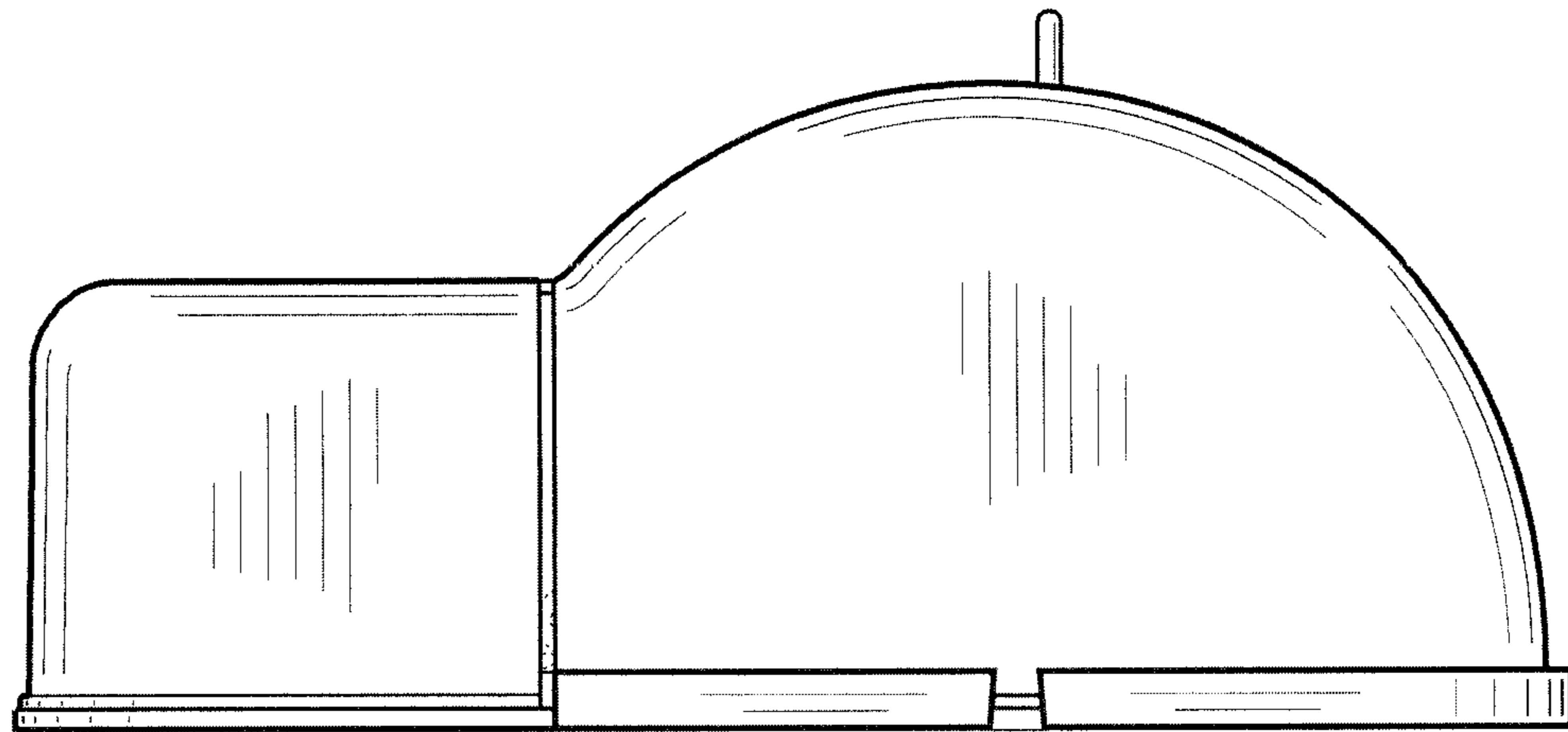


FIG. 3

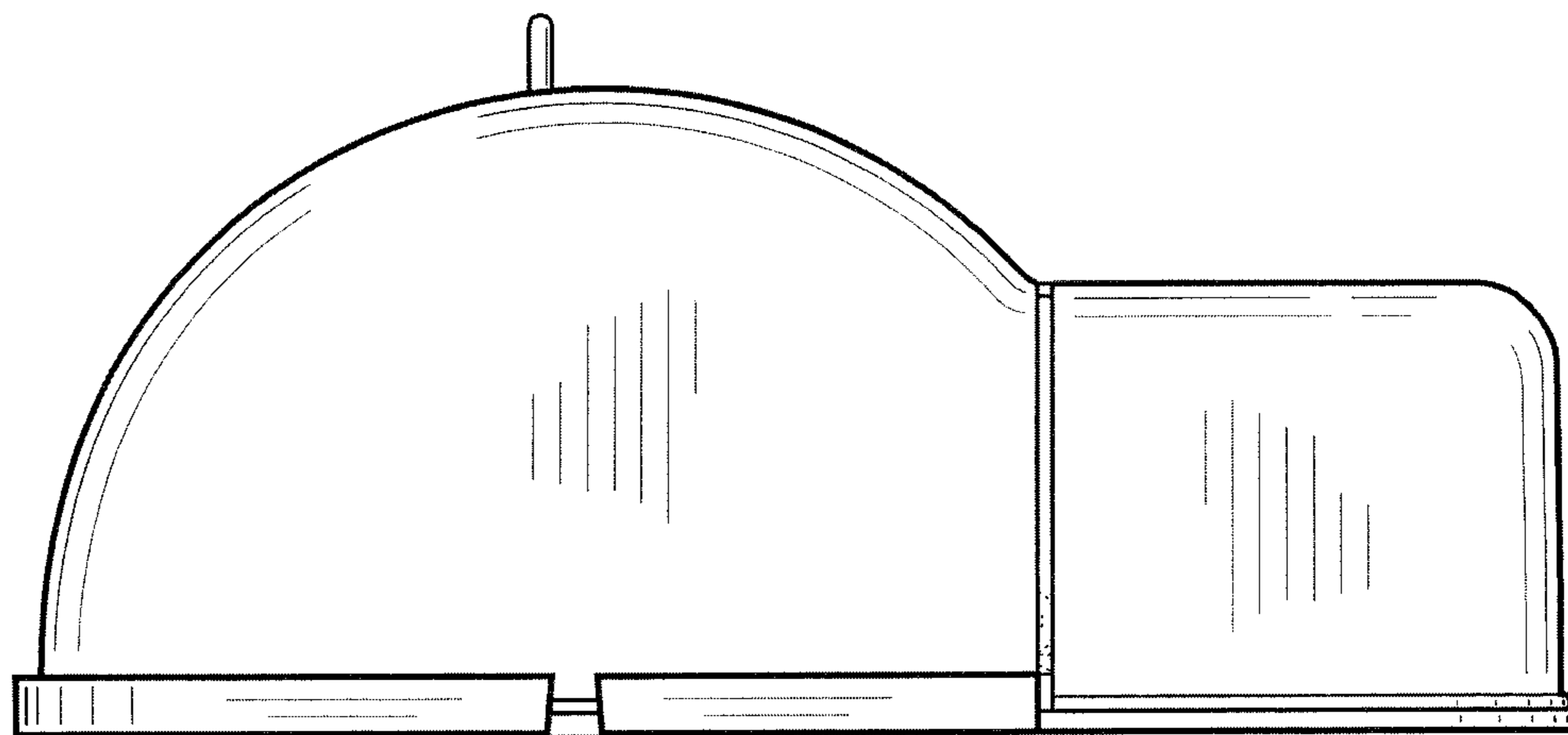


FIG. 4

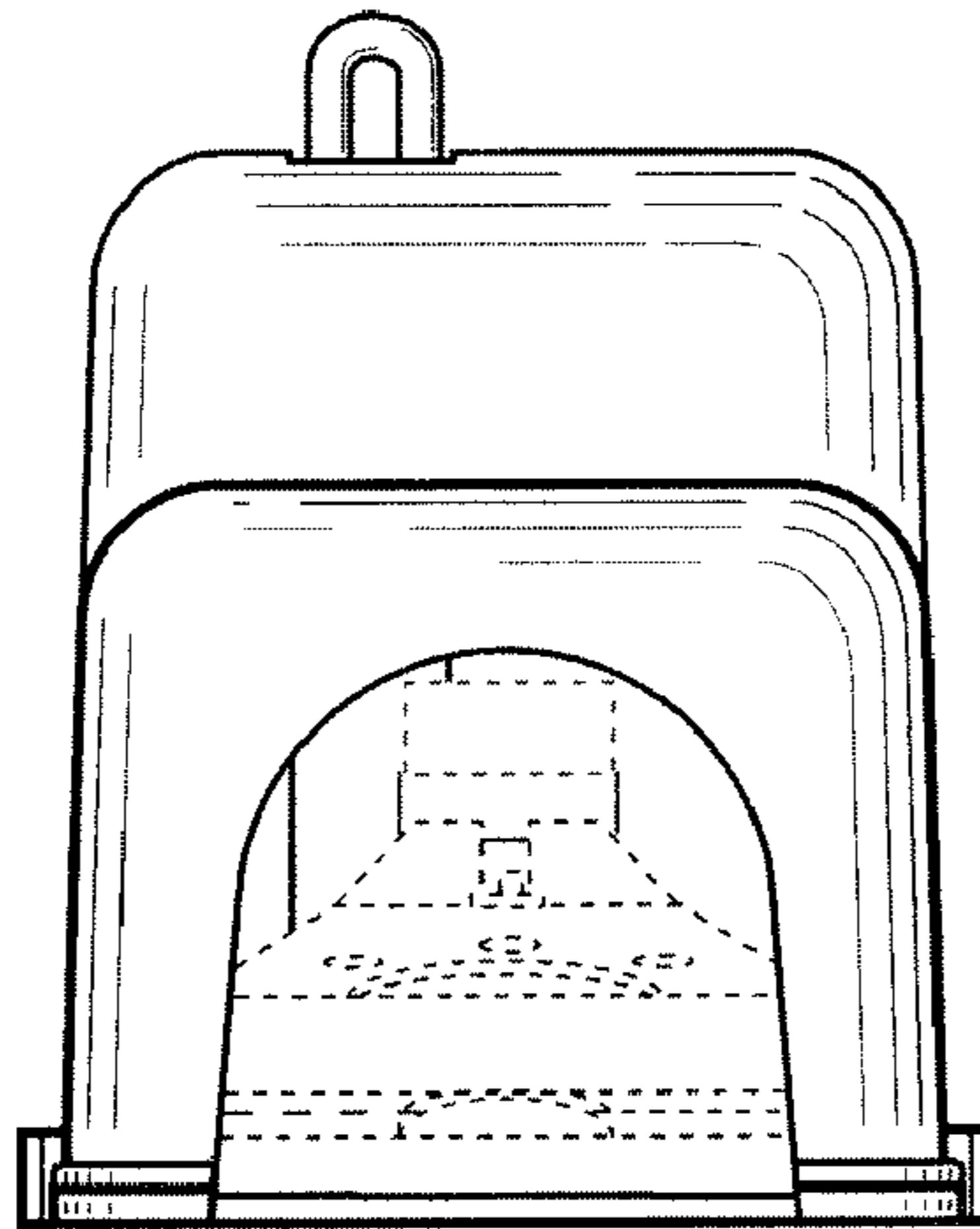


FIG. 5

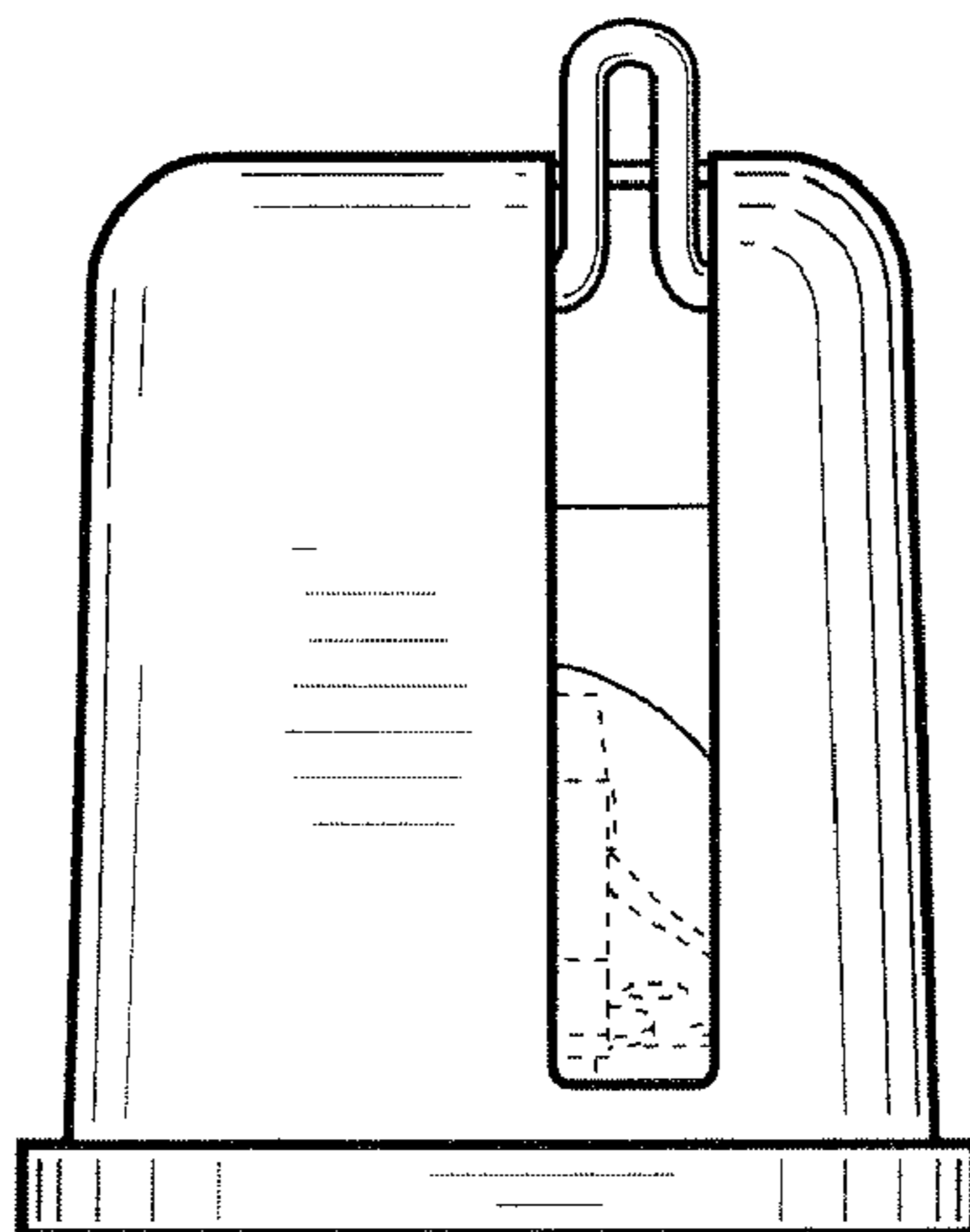


FIG. 6

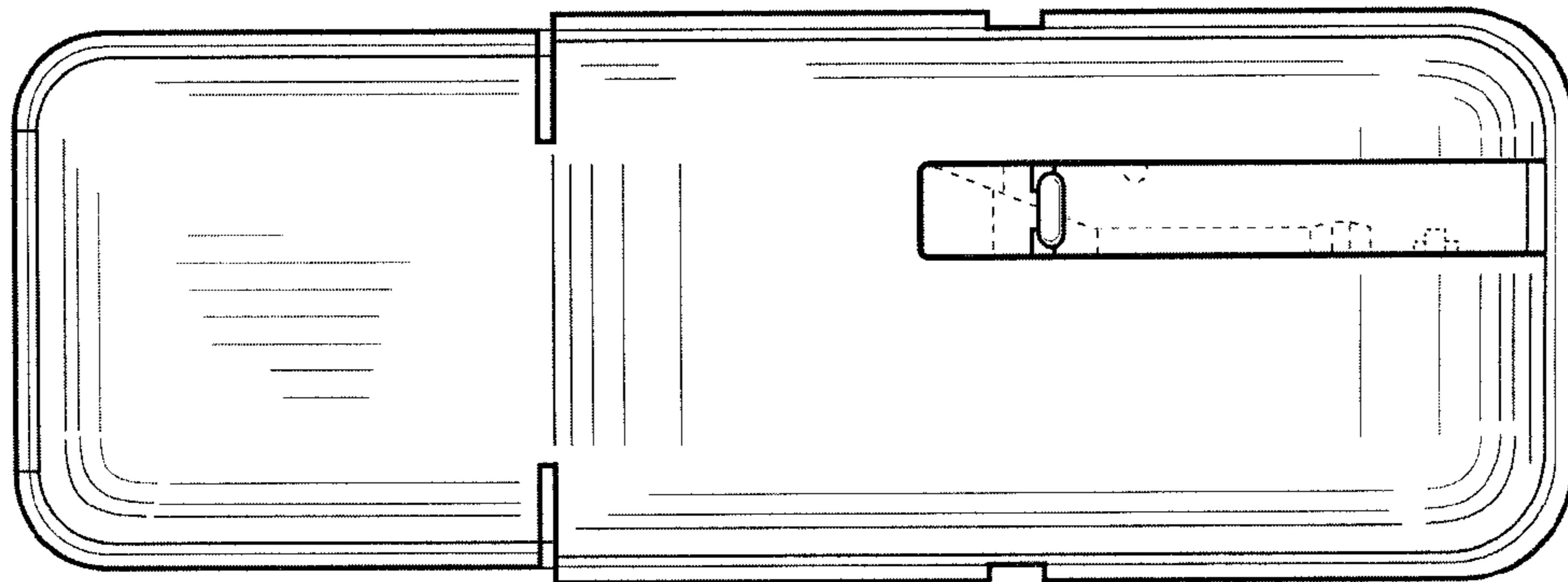


FIG. 7

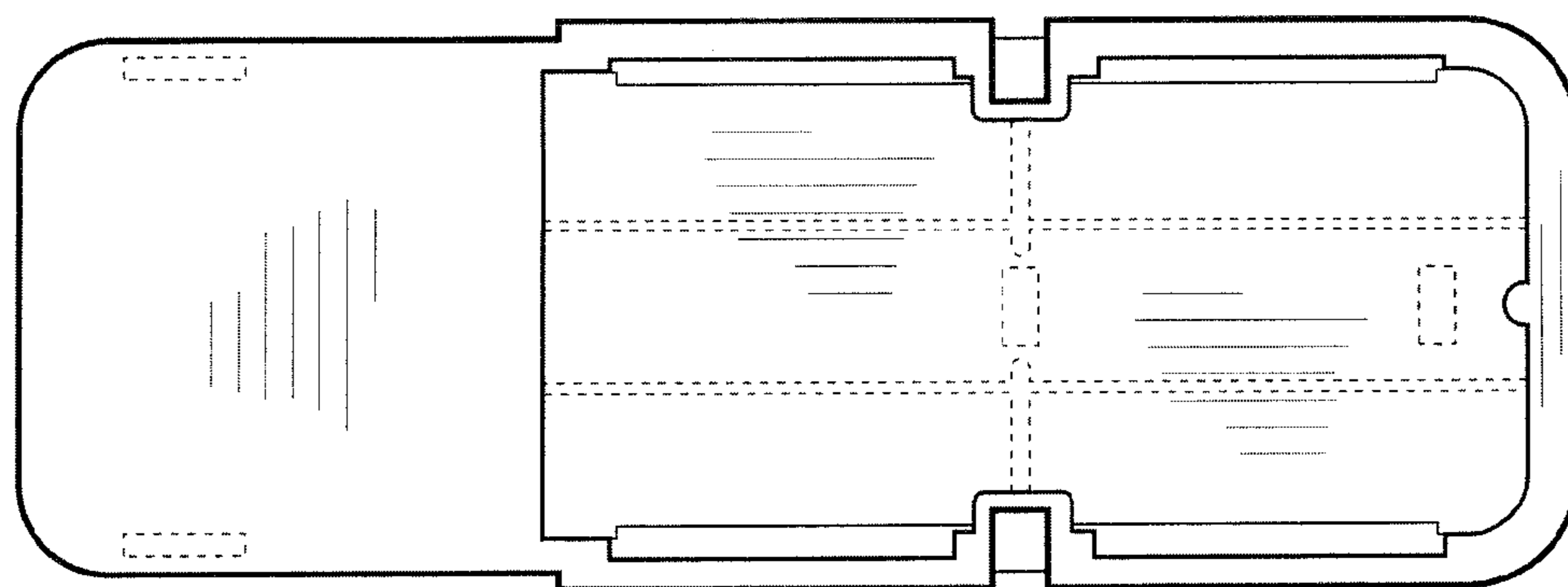


FIG. 8

