

US00D673638S

(12) **United States Design Patent**
Mayberry et al.

(10) **Patent No.:** **US D673,638 S**
(45) **Date of Patent:** **** Jan. 1, 2013**

- (54) **LIGHT MOUNT FOR A FIREARM**
- (75) Inventors: **Michael T. Mayberry**, Denver, CO (US); **Richard Fitzpatrick**, Longmont, CO (US); **Grady Barfoot**, Denver, CO (US); **Sean William Flickinger**, Lakewood, CO (US); **Brian Nakayama**, Arvada, CO (US)
- (73) Assignee: **Magpul Industries Corporation**, Erie, CO (US)
- (**) Term: **14 Years**
- (21) Appl. No.: **29/398,471**
- (22) Filed: **Aug. 1, 2011**
- (51) **LOC (9) Cl.** **22-01**
- (52) **U.S. Cl.** **D22/108**
- (58) **Field of Classification Search** D22/100, D22/108, 109; D26/37, 46, 47, 48, 49; 362/157–158, 183, 184, 190, 194, 195, 196, 362/197, 202–208
See application file for complete search history.

(56) **References Cited**

U.S. PATENT DOCUMENTS

2,236,736	A *	4/1941	Scott	362/110
2,314,061	A *	3/1943	Whaley	362/110
7,134,234	B1 *	11/2006	Makarounis	42/146
8,132,355	B1 *	3/2012	Kincaid et al.	42/124
2006/0026888	A1 *	2/2006	Cheng et al.	42/146
2007/0240355	A1 *	10/2007	Hsu	42/115
2010/0122485	A1 *	5/2010	Kincel	42/146
2010/0164401	A1 *	7/2010	Matthews et al.	315/294
2011/0047850	A1 *	3/2011	Rievley et al.	42/72
2011/0067287	A1 *	3/2011	Collin et al.	42/119

OTHER PUBLICATIONS

ImpactWeaponsComponent_com_2012_Light_Mount
ImpactWeaponsComponent.com (2012) Light Mount; Website

[Online] Available Web site: <http://www.impactweaponscomponents.com/category/mount-n-slot/light-mount/>; Last Update: Unknown; Accessed on: Jan. 4, 2012.
Surefire_com_2012_Dedicated_Forend_WaponLights Surefire.com (2012) Rifle, SMG Forend Weapon Lights; Website [Online] Available Web Site: <http://www.surefire.com/DedicatedForendWeaponLights>; Last Update: Unknown; Accessed on: Jan. 4, 2012.

* cited by examiner

Primary Examiner — Michael A Pratt

(74) *Attorney, Agent, or Firm* — Swanson & Bratschun, L.L.C.

(57) **CLAIM**

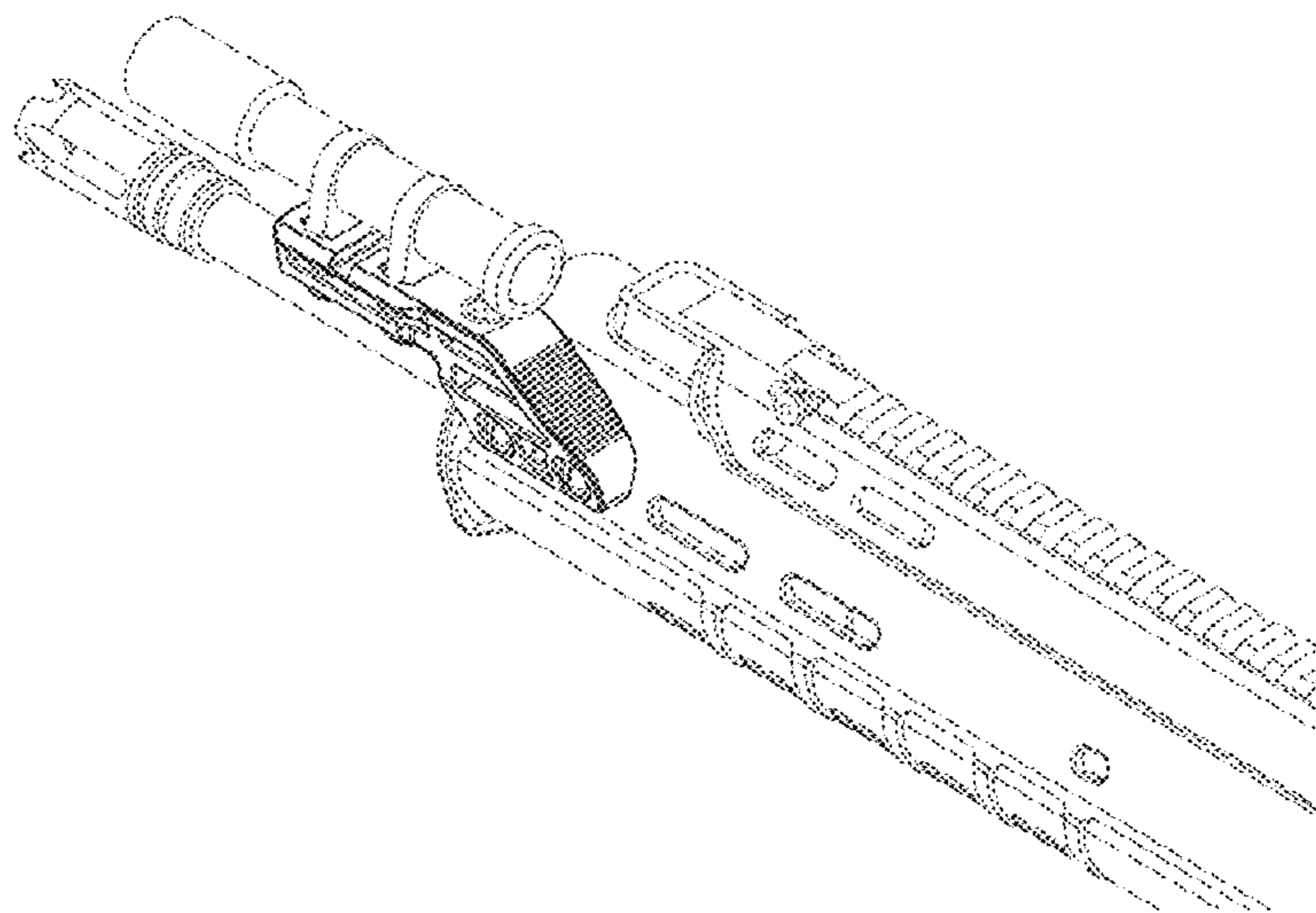
The ornamental design for a light mount for a firearm, as shown and described.

DESCRIPTION

FIG. 1 is a left, rear, top perspective view of a light mount for a firearm attached to a firearm showing my new design; FIG. 2 is a left, rear, top perspective view of the light mount for a firearm of FIG. 1 with the firearm omitted; FIG. 3 is a right side elevation view of the light mount for a firearm of FIG. 1; FIG. 4 is a left side elevation view of the light mount for a firearm of FIG. 1; FIG. 5 is a rear elevation view of the light mount for a firearm of FIG. 1; FIG. 6 is a front elevation view of the light mount for a firearm of FIG. 1; FIG. 7 is a top plan view of the light mount for a firearm of FIG. 1; and, FIG. 8 is a bottom plan view of the light mount for a firearm of FIG. 1.

The broken lines showing portions of the design in all figures is included for the purpose of illustrating environment and unclaimed features and forms not part of the claimed design.

1 Claim, 6 Drawing Sheets



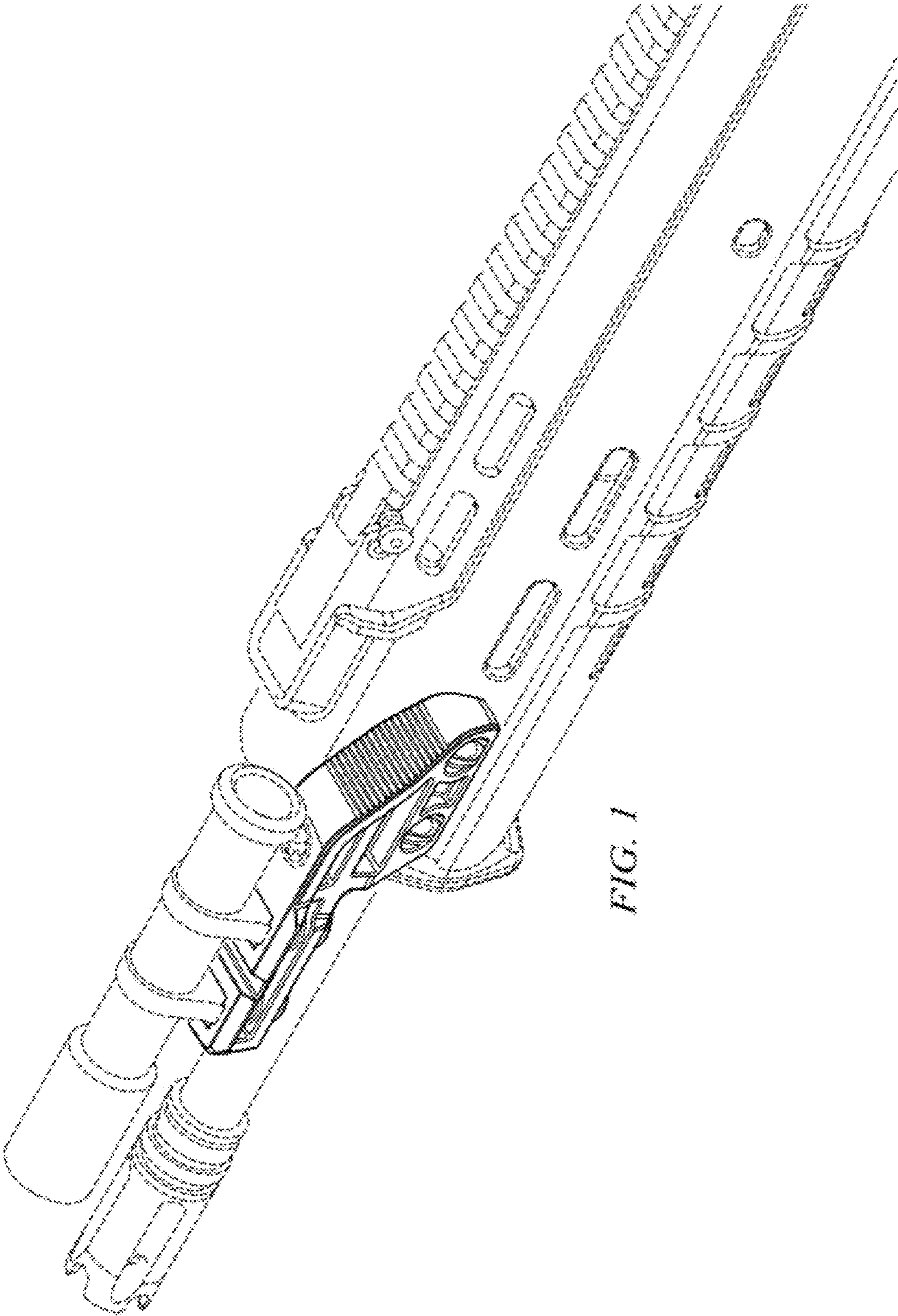


FIG. 1

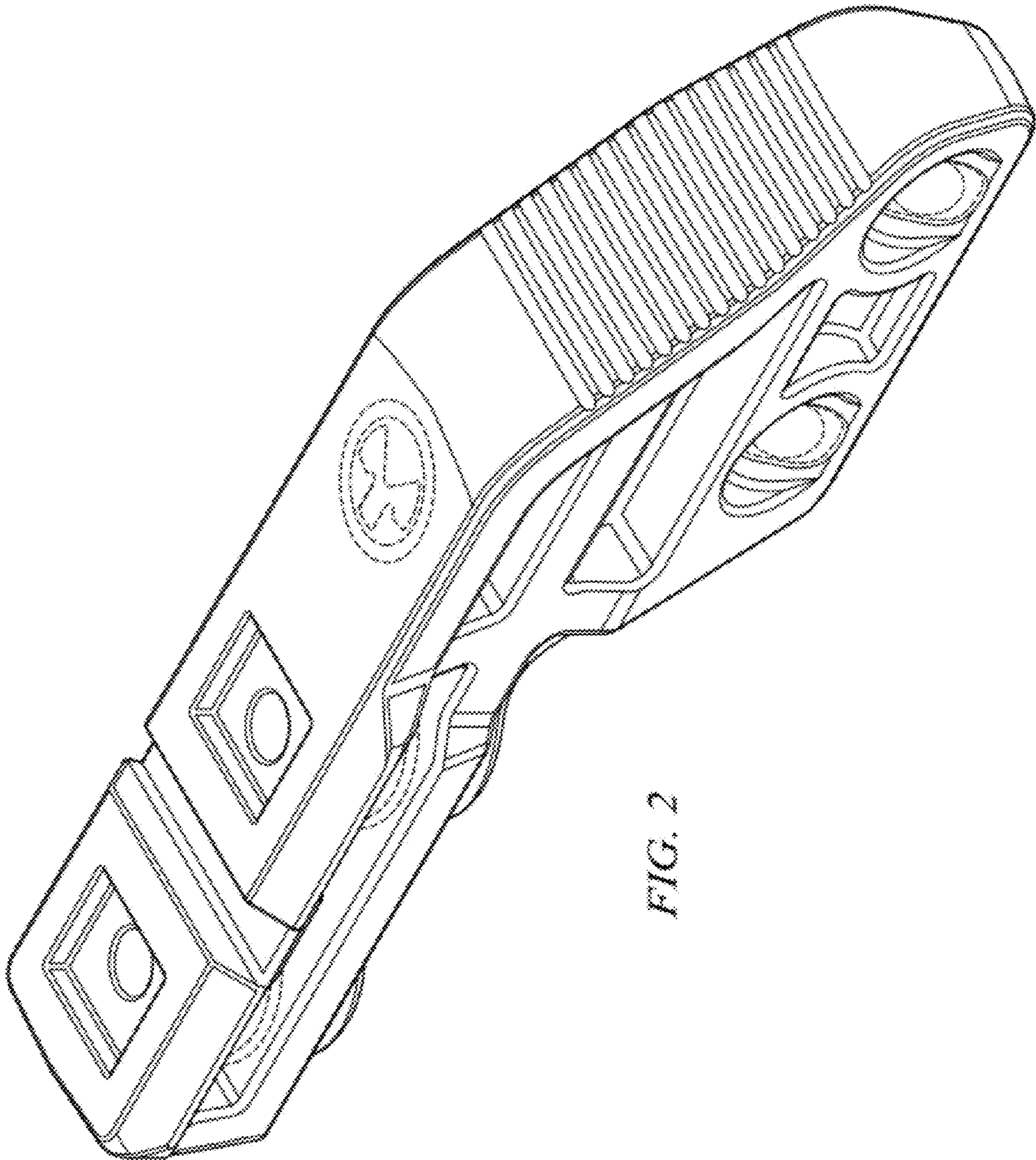


FIG. 2

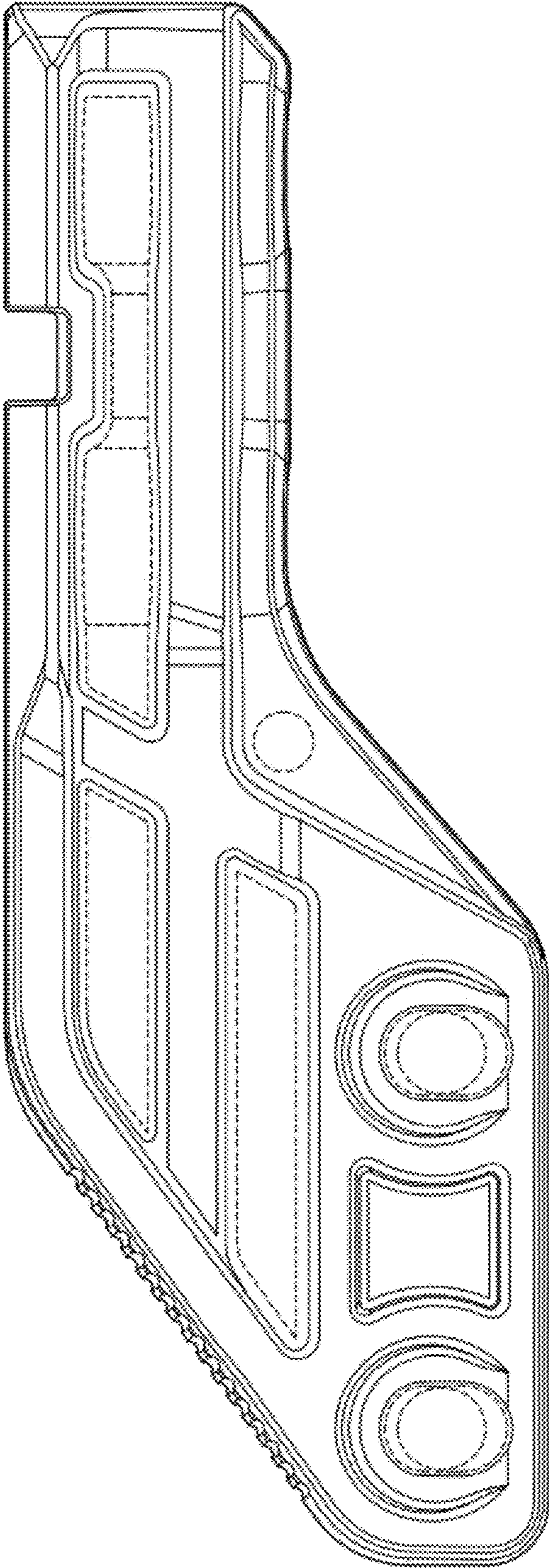


FIG. 3

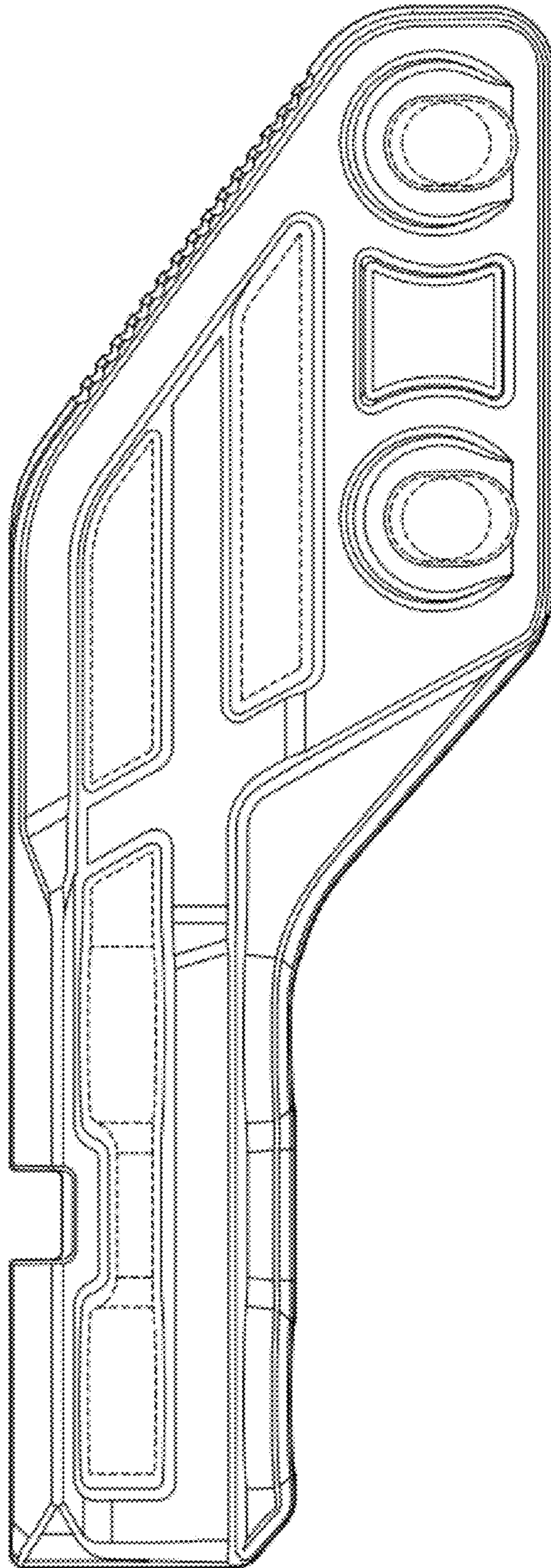


FIG. 4

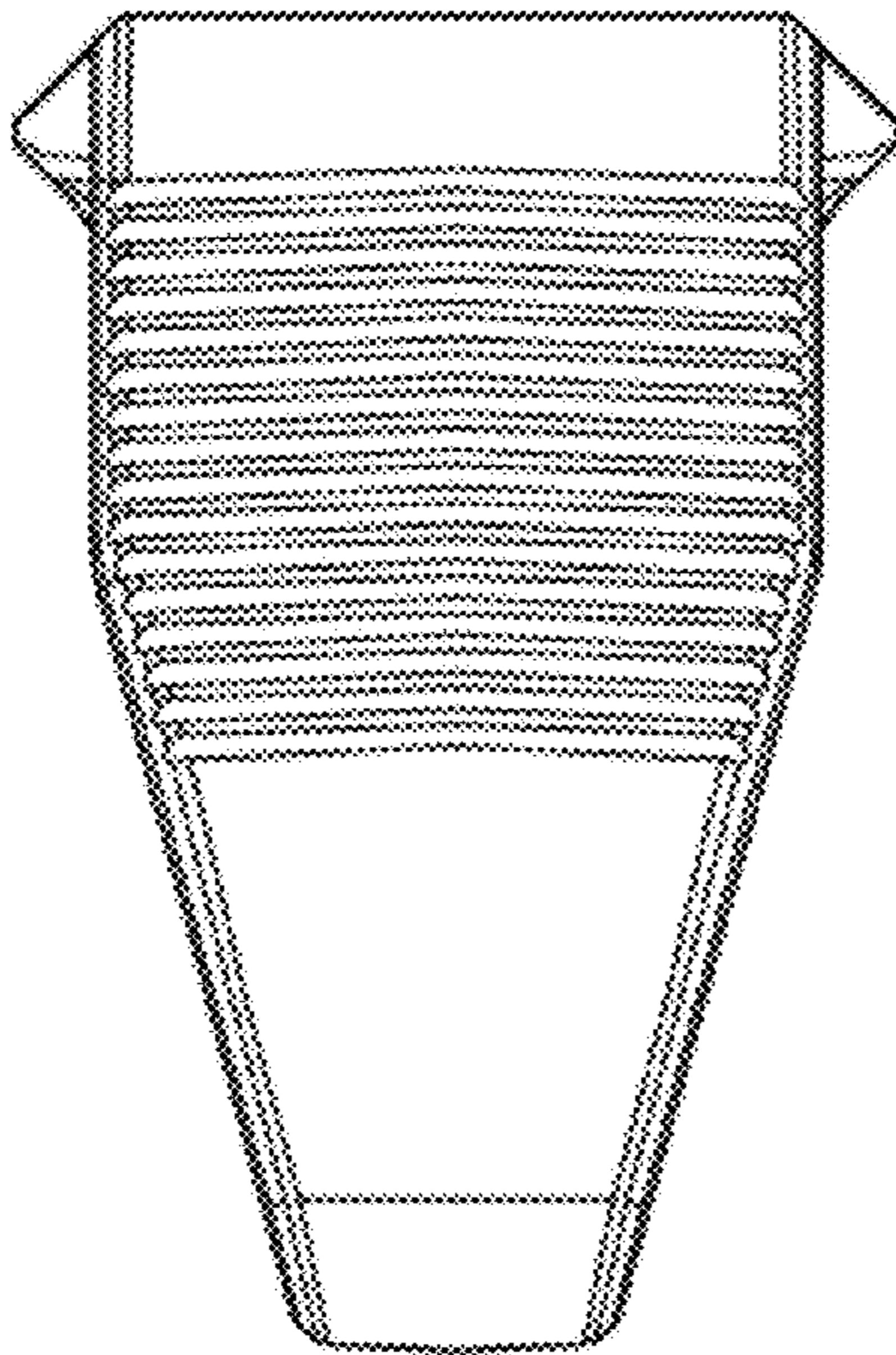


FIG. 5

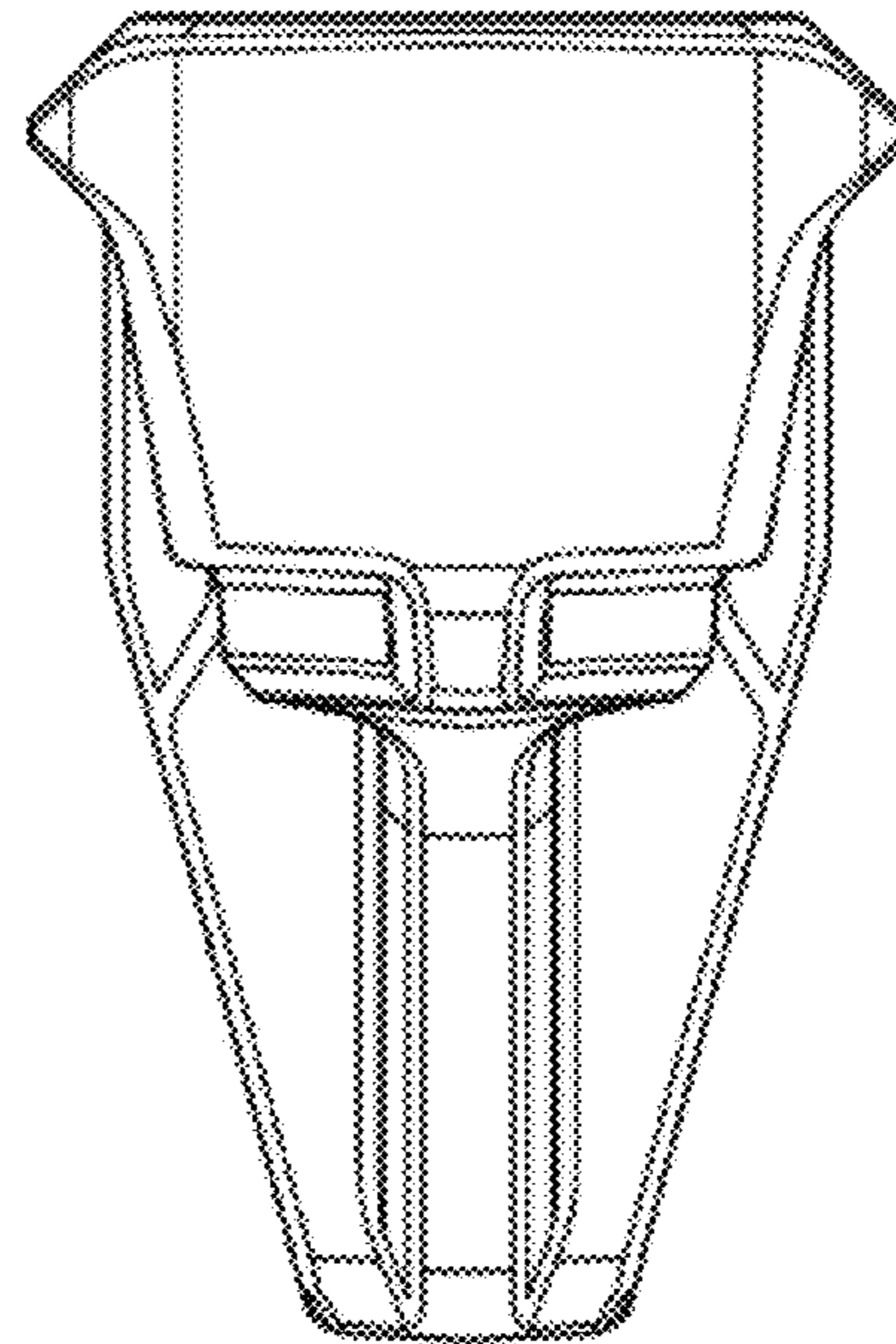


FIG. 6

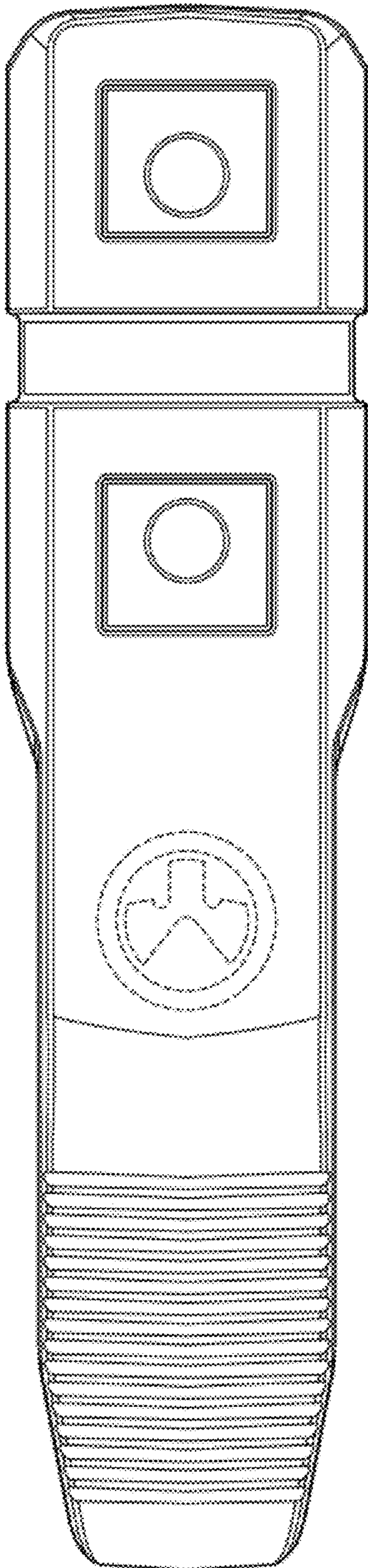


FIG. 7

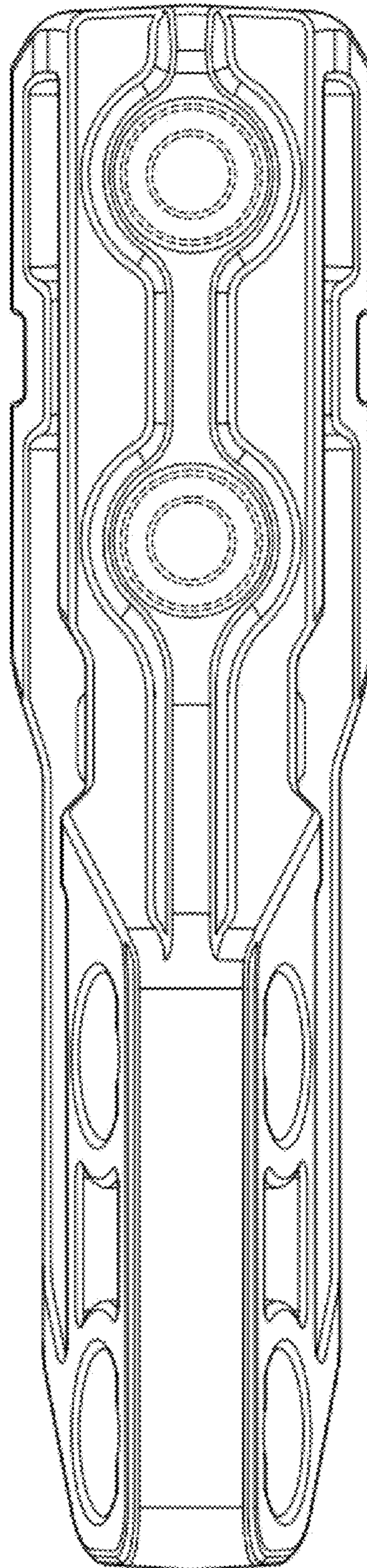


FIG. 8