



US00D673637S

(12) **United States Design Patent**
Steinmeyer

(10) **Patent No.:** **US D673,637 S**

(45) **Date of Patent:** **** Jan. 1, 2013**

(54) **ILLUSION APPARATUS**

D345,595 S * 3/1994 Steinmeyer D21/812
D478,143 S * 8/2003 Steinmeyer D21/812
D593,178 S * 5/2009 Steinmeyer D21/812

(76) Inventor: **James H. Steinmeyer**, Burbank, CA
(US)

* cited by examiner

(**) Term: **14 Years**

Primary Examiner — Mitchell Siegel
(74) *Attorney, Agent, or Firm* — James E. Brunton

(21) Appl. No.: **29/373,394**

(57) **CLAIM**

The ornamental design for an “illusion apparatus,” as shown.

(22) Filed: **Apr. 4, 2011**

DESCRIPTION

(51) **LOC (9) Cl.** **21-03**

(52) **U.S. Cl.** **D21/812**

(58) **Field of Classification Search** D21/812;
472/57–65, 67–72, 81

FIG. 1 is a generally perspective view of an illusion apparatus showing my new design;
FIG. 2 is a front view thereof;
FIG. 3 is a rear view thereof;
FIG. 4 is a right side view thereof;
FIG. 5 is a left side view thereof;
FIG. 6 is a top view thereof; and,
FIG. 7 is a bottom view thereof.

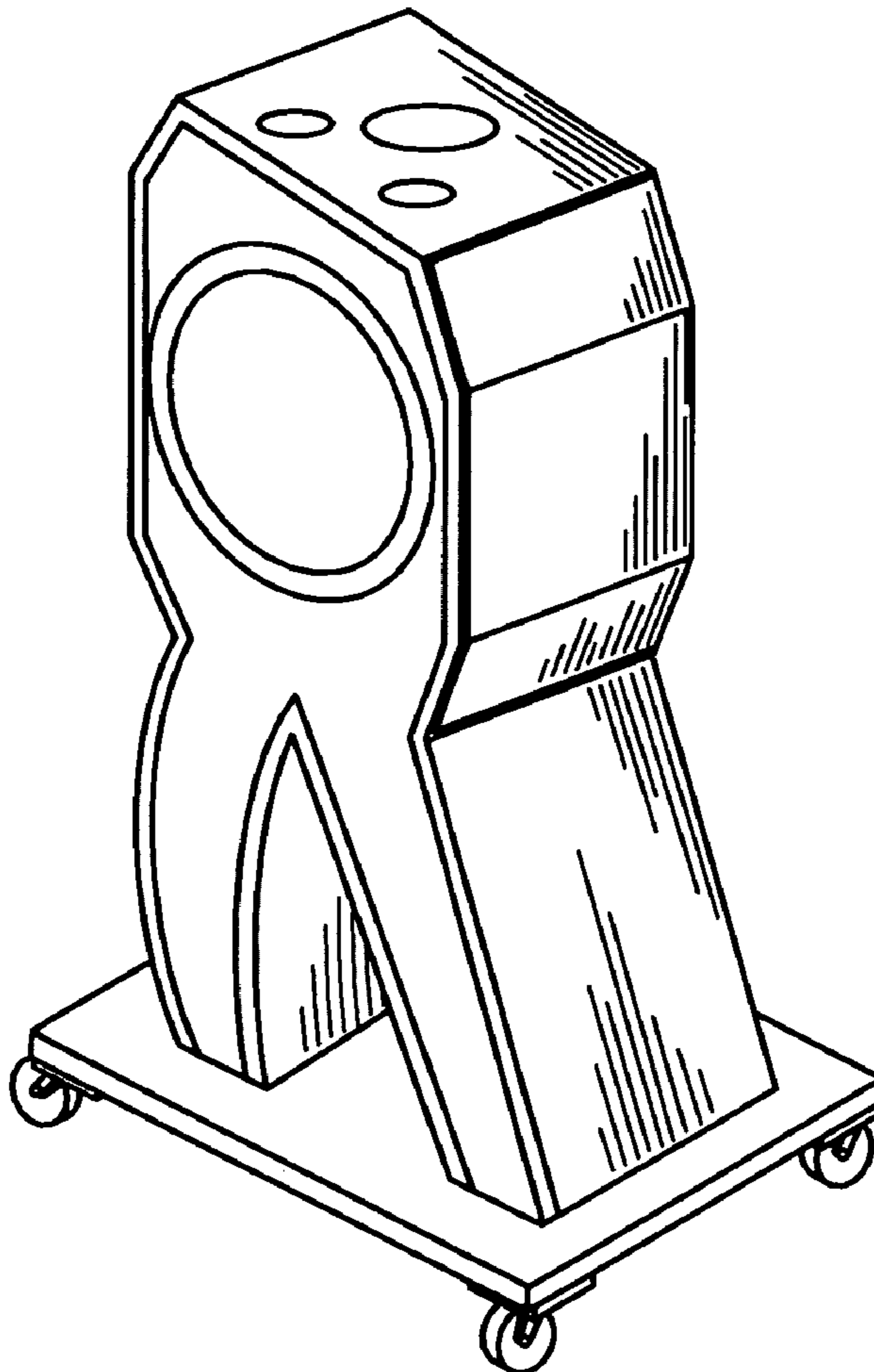
See application file for complete search history.

(56) **References Cited**

U.S. PATENT DOCUMENTS

1,458,575 A * 6/1923 Goldin 472/69
D140,417 S * 2/1945 Franke D21/812

1 Claim, 2 Drawing Sheets



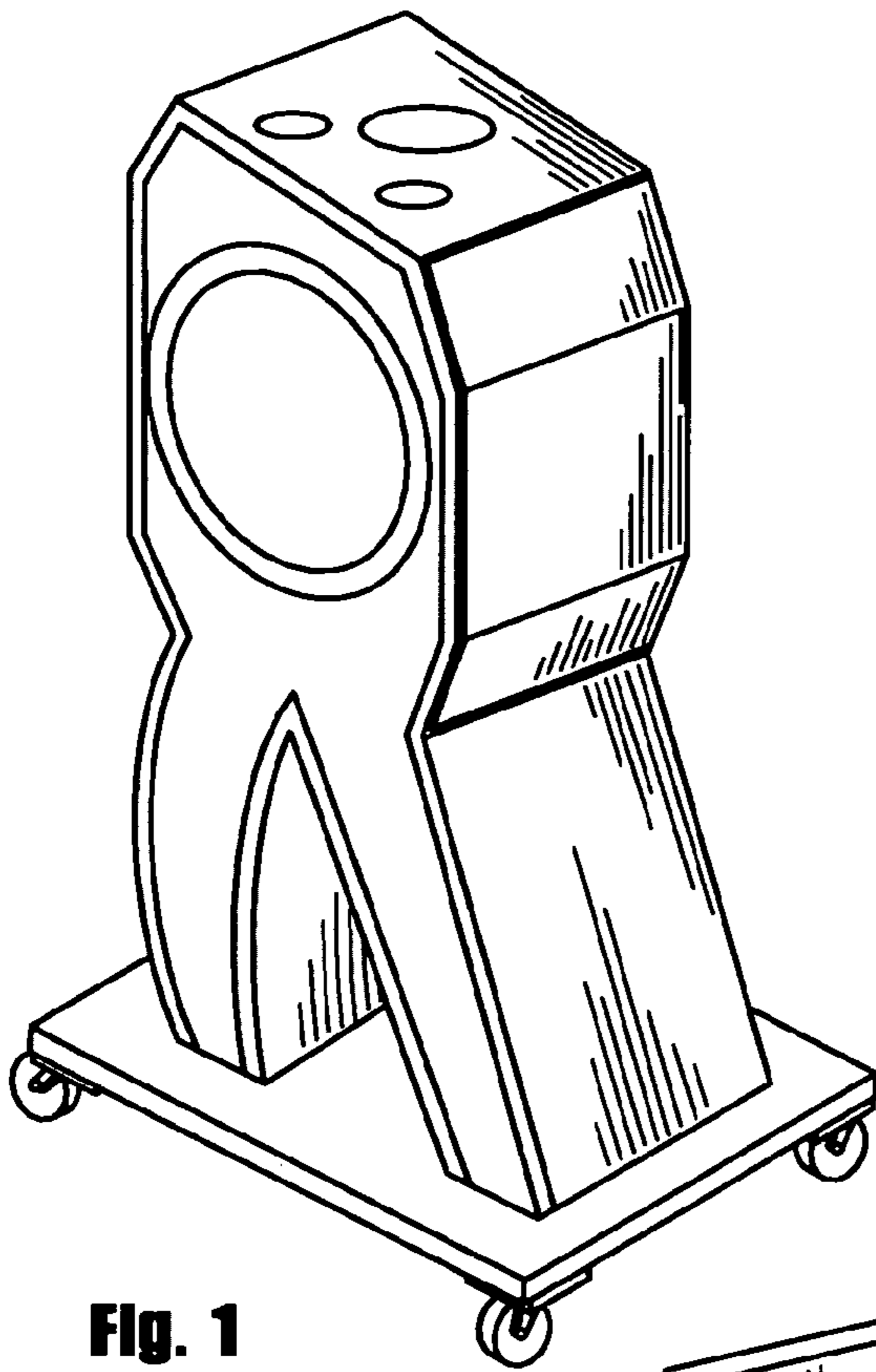


Fig. 1

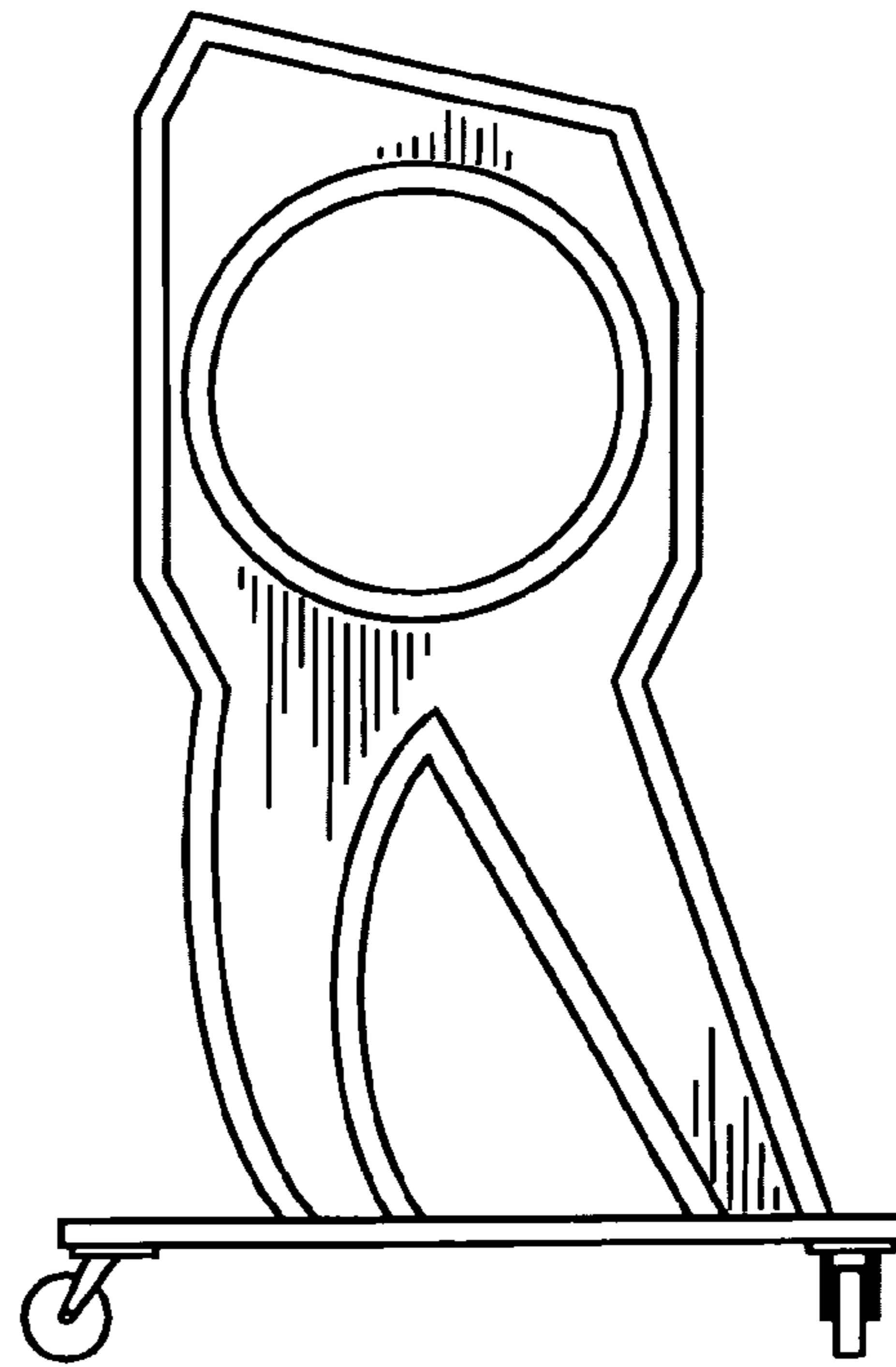


Fig. 2

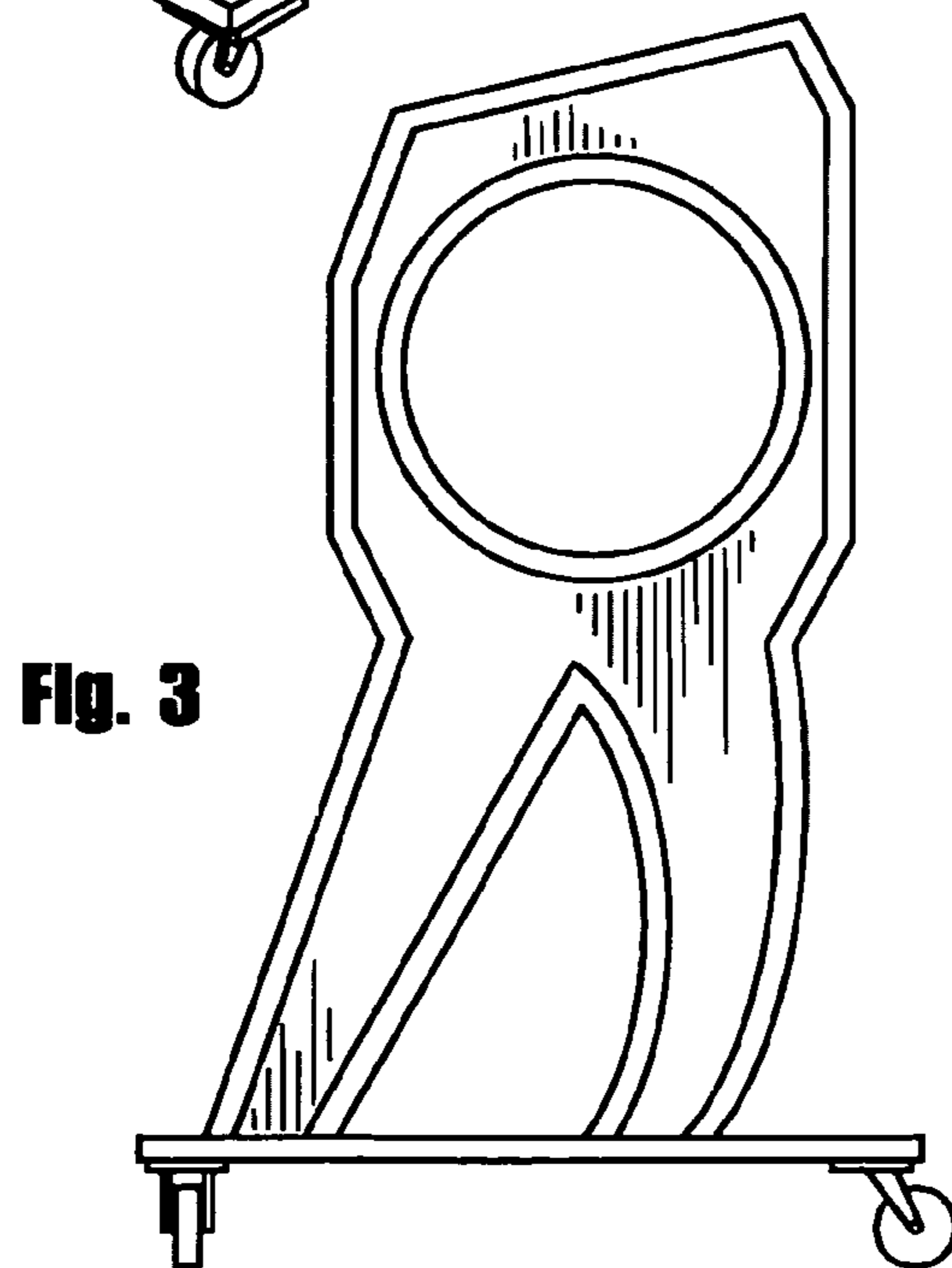


Fig. 3

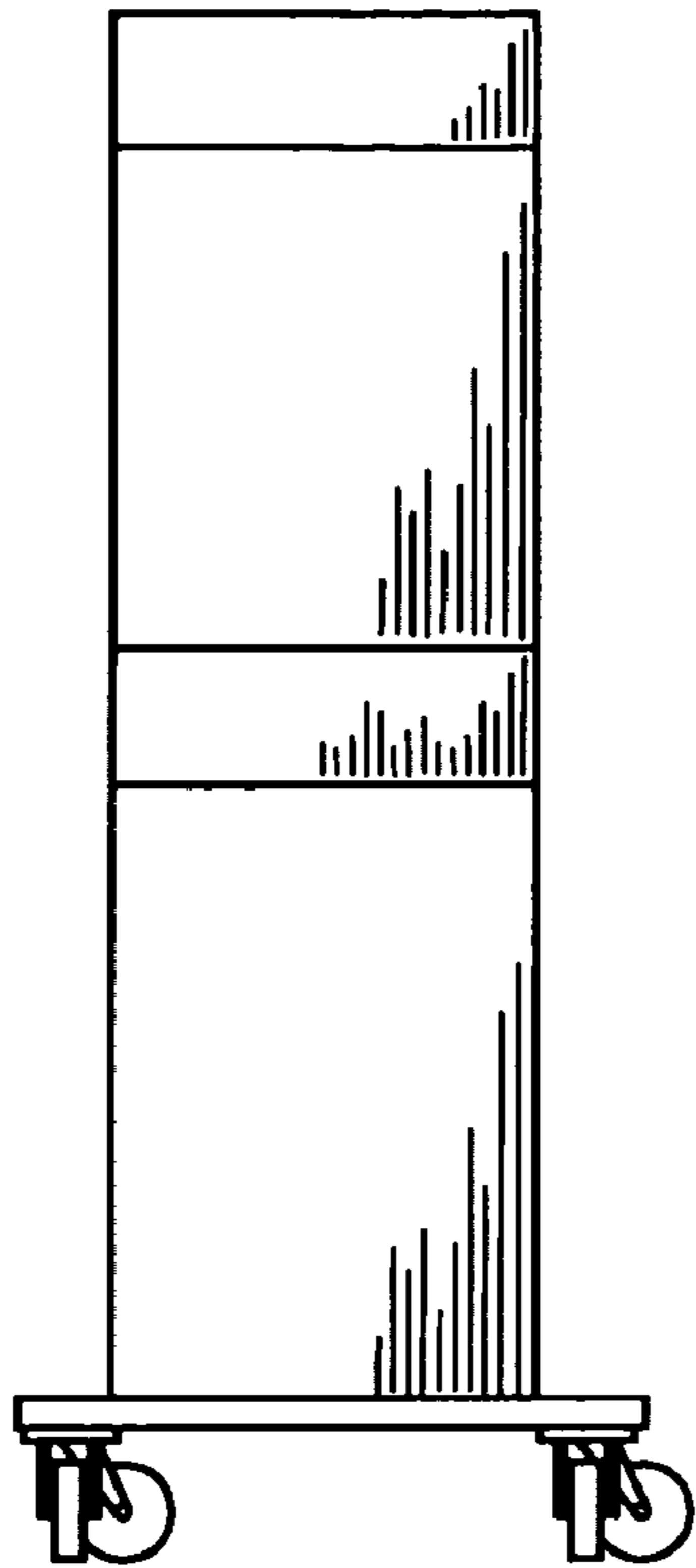


Fig. 4

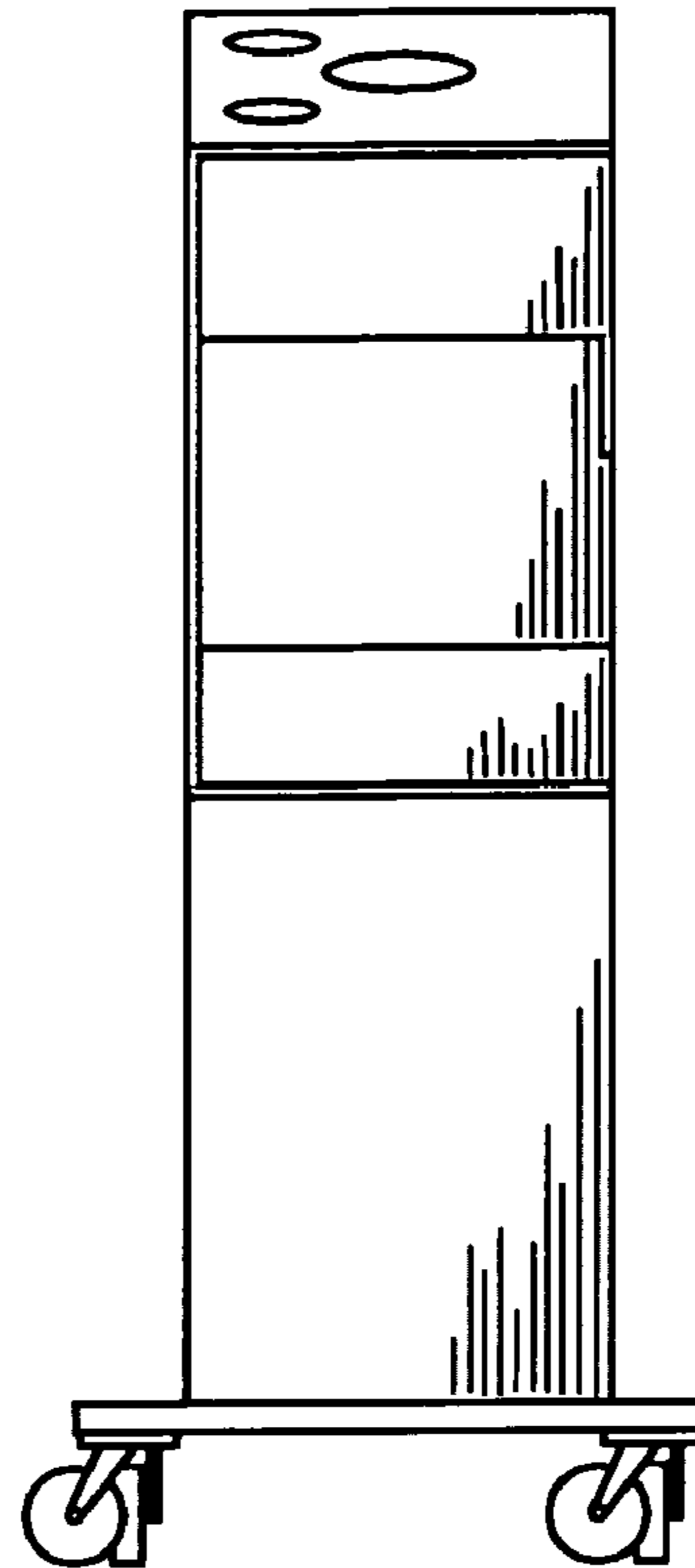


Fig. 5

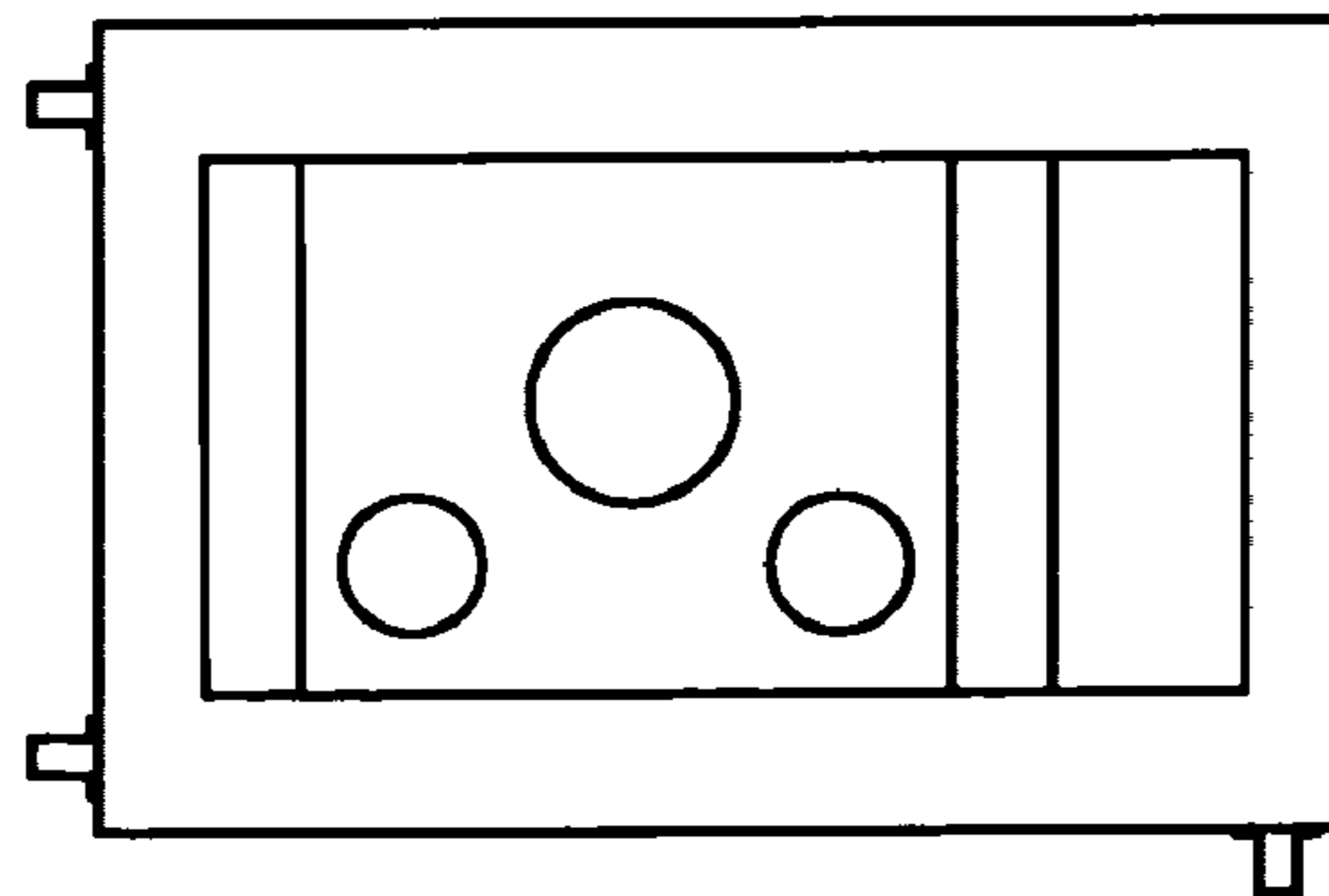


Fig. 6

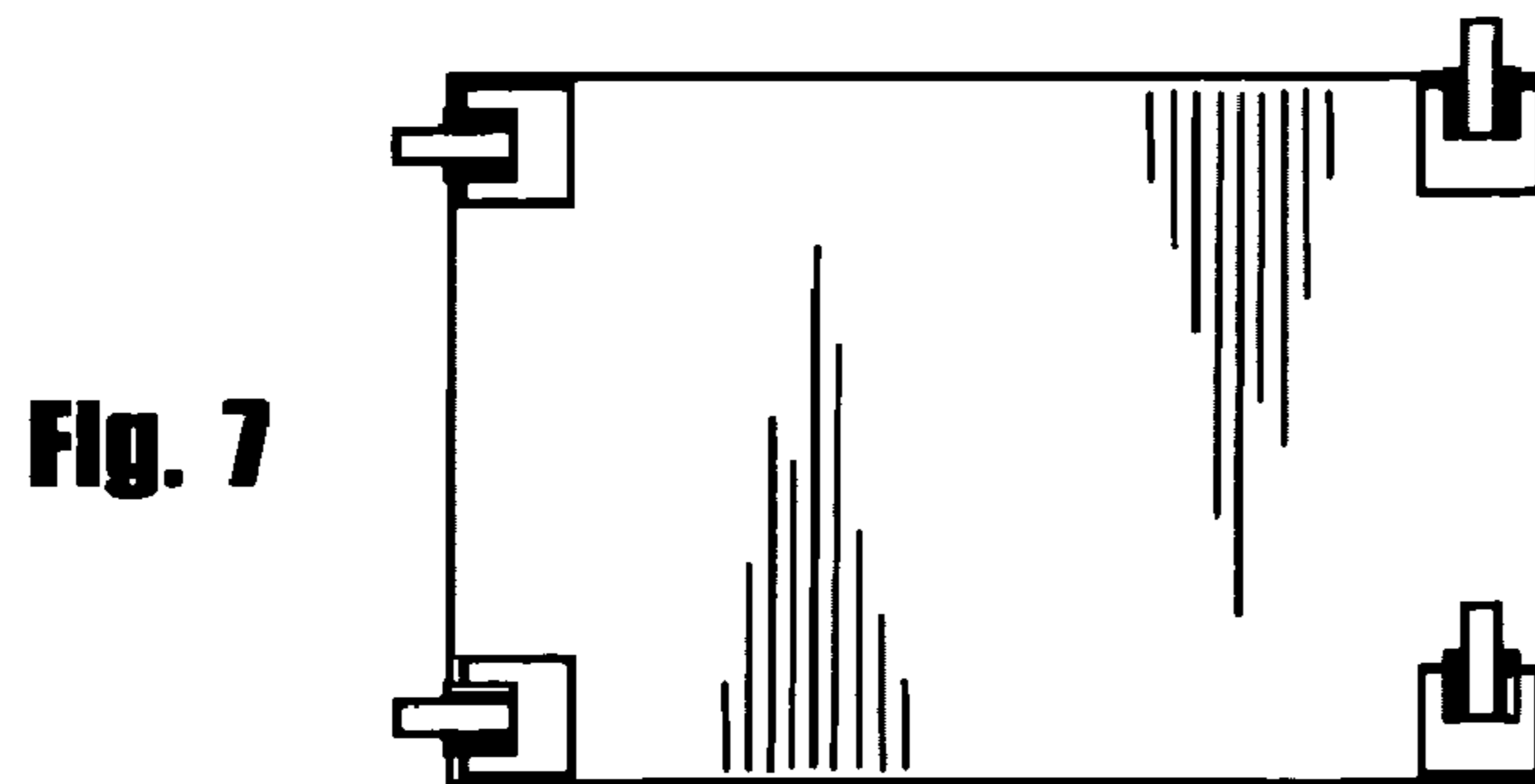


Fig. 7