



US00D673635S

(12) **United States Design Patent**  
**Cameron**

(10) **Patent No.:** **US D673,635 S**  
(45) **Date of Patent:** **\*\* Jan. 1, 2013**

- (54) **PUTTING CUP**
- (75) Inventor: **Don T. Cameron**, Carlsbad, CA (US)
- (73) Assignee: **Acushnet Company**, Fairhaven, MA (US)
- (\*\*) Term: **14 Years**
- (21) Appl. No.: **29/410,818**
- (22) Filed: **Jan. 12, 2012**
- (51) **LOC (9) Cl.** ..... **21-02**
- (52) **U.S. Cl.** ..... **D21/791**
- (58) **Field of Classification Search** ..... D21/789-791;  
473/251-256, 150, 151, 160, 173, 176, 180-183  
See application file for complete search history.

4,244,576 A	1/1981	Mosier et al.	
4,396,194 A	8/1983	Seiferth	
D273,126 S *	3/1984	Turza et al. ....	D21/790
4,611,809 A	9/1986	Gettelfinger	
4,728,106 A	3/1988	Shore	
4,805,912 A	2/1989	Hickman	
4,861,033 A	8/1989	Miner	
4,966,370 A	10/1990	Morris	
5,013,042 A	5/1991	Garnes	
5,040,799 A	8/1991	Manziona	
5,205,559 A *	4/1993	Plopper .....	473/179
5,595,543 A	1/1997	Wolk	
5,630,719 A	5/1997	Franklin	
D385,610 S *	10/1997	McDonald .....	D21/790
5,779,567 A	7/1998	Durso	
D400,631 S *	11/1998	Moore .....	D21/791
D411,601 S *	6/1999	Fong .....	D21/791
6,283,873 B1	9/2001	Nunes	
D460,798 S *	7/2002	Tamanaha .....	D21/791
6,497,625 B2	12/2002	Newby	
6,506,123 B1	1/2003	Weidlich	

(56) **References Cited**

U.S. PATENT DOCUMENTS

884,277 A	4/1908	Hughes	
957,387 A	5/1910	Stedman	
1,287,903 A	12/1918	Daily	
1,513,978 A	11/1924	Flynn et al.	
1,581,092 A	4/1926	Brooks	
1,682,601 A	8/1928	Cunningham	
1,798,140 A *	3/1931	Byers .....	473/184
1,882,569 A	10/1932	Hallatt	
1,903,480 A	4/1933	Ryan	
1,904,034 A	4/1933	Walstrom	
2,031,525 A	2/1936	Clarke	
2,453,605 A	11/1948	Thomas	
2,596,682 A	5/1952	Hartung	
2,653,815 A	9/1953	Hartung	
2,917,312 A	12/1959	Brown	
3,065,971 A	11/1962	Coles	
D196,657 S *	10/1963	Cohen .....	D21/790
3,171,657 A	3/1965	Strang	
3,342,495 A	9/1967	Wasley	
3,365,199 A	1/1968	Scholin et al.	
3,424,464 A *	1/1969	Greenhouse .....	473/180
3,572,720 A	3/1971	Berg	
3,580,583 A	5/1971	Gentiluomo	
3,856,313 A	12/1974	Tierney	
D243,497 S *	3/1977	Brufau .....	D6/328

(Continued)

*Primary Examiner* — Mitchell Siegel

(74) *Attorney, Agent, or Firm* — Kristin Wheeler

(57) **CLAIM**

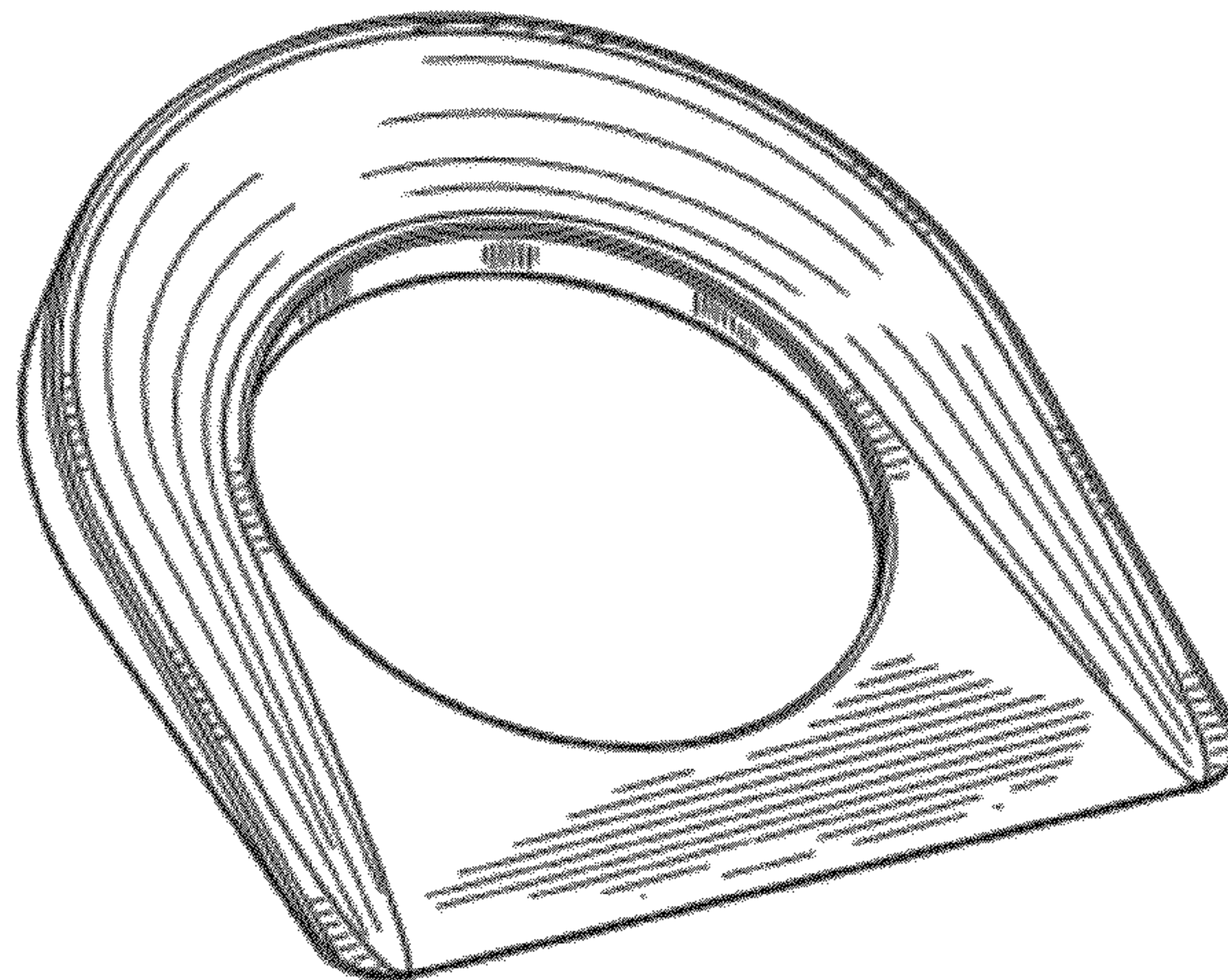
The ornamental design for a putting cup, as shown and described.

**DESCRIPTION**

FIG. 1 is a top side perspective view of a new putting cup;  
 FIG. 2 is a top view thereof;  
 FIG. 3 is a cross-sectional view of the putting cup of FIG. 2 taken along line 3-3 thereof;  
 FIG. 4 is a front view thereof;  
 FIG. 5 is a right side view thereof;  
 FIG. 6 is a back view thereof; and,  
 FIG. 7 is a bottom view thereof.

The portion of the putting cup shown in phantom is for illustrative purposes only and does not form any portion of the claimed design.

**1 Claim, 2 Drawing Sheets**



# US D673,635 S

Page 2

---

## U.S. PATENT DOCUMENTS

6,607,449	B2	8/2003	McCabe	7,278,924	B2	10/2007	Weidlich
6,626,767	B2	9/2003	Lawlyes	7,309,290	B2	12/2007	Hutchison
6,663,495	B2	12/2003	Fun	7,347,789	B2	3/2008	Patterson
D487,296	S *	3/2004	Lister ..... D21/791	D568,432	S *	5/2008	Rubino ..... D21/790
D508,547	S *	8/2005	Llewellyn ..... D21/791	7,611,418	B2	11/2009	Patterson
6,939,240	B2	9/2005	Daley	7,749,092	B2	7/2010	Rutherford
7,094,158	B1	8/2006	Wheat				

\* cited by examiner



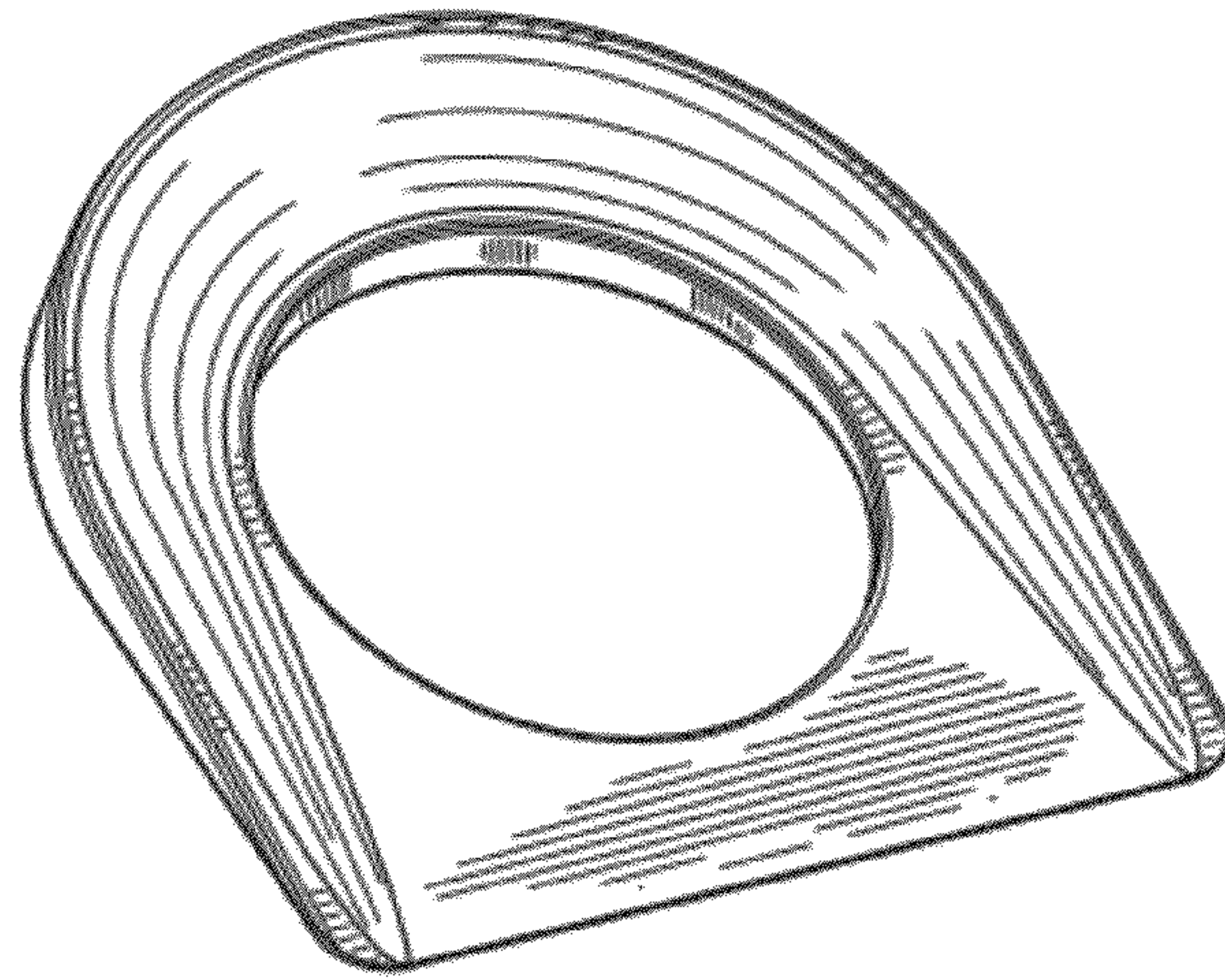


FIG. 1

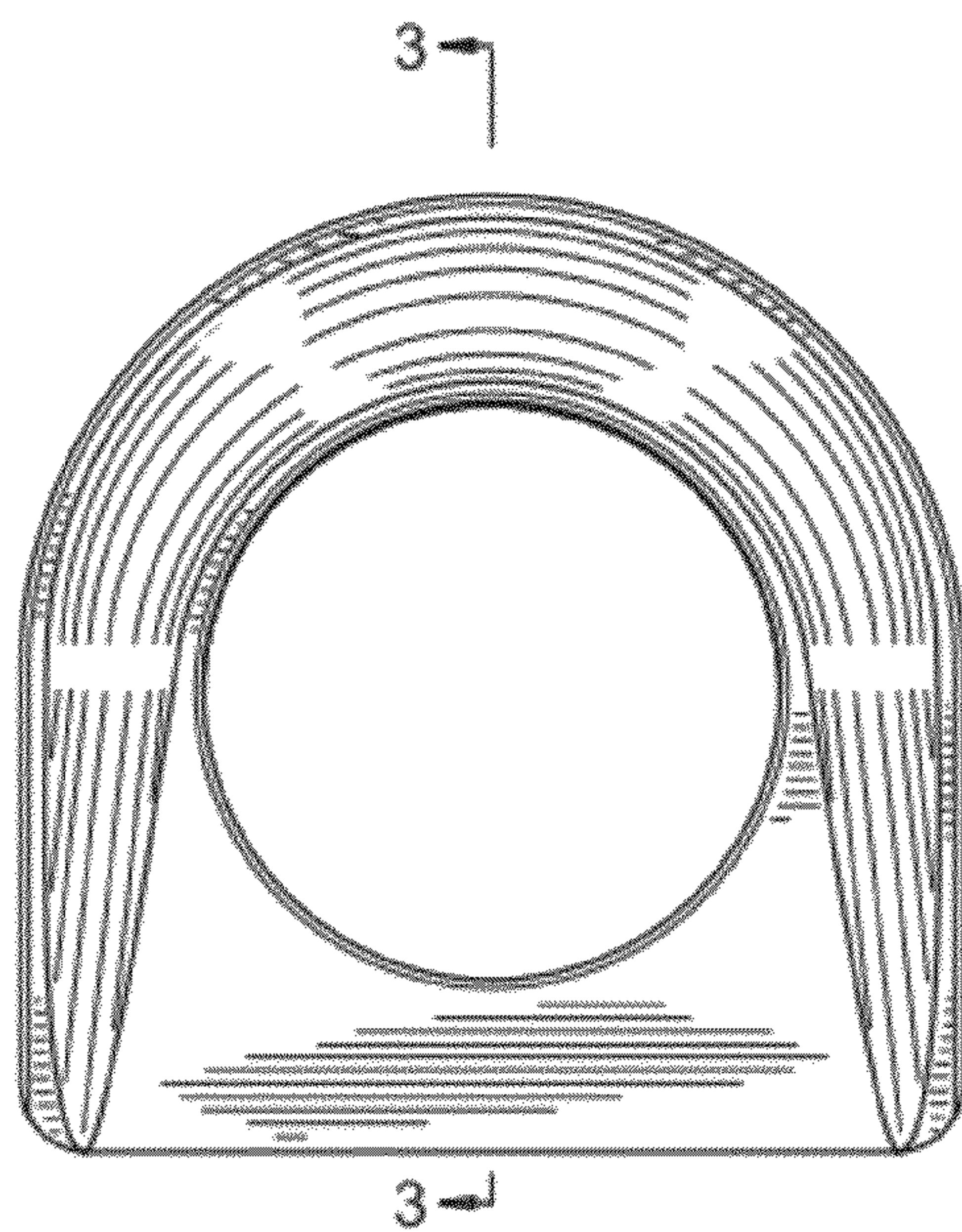


FIG. 2



FIG. 3

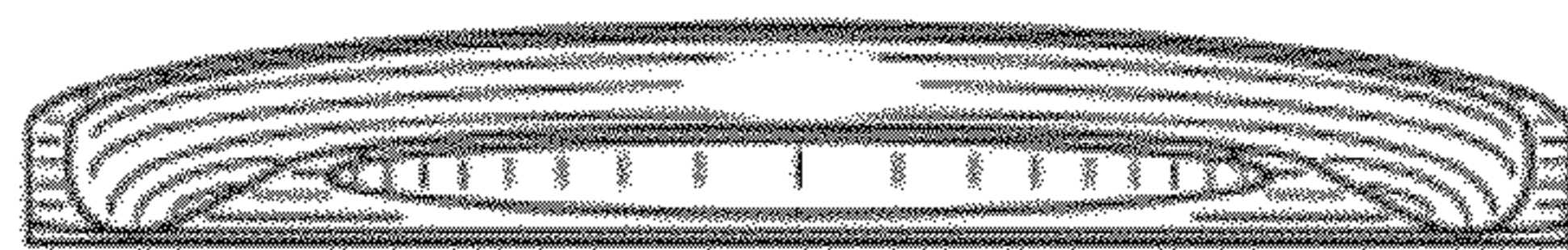


FIG. 4

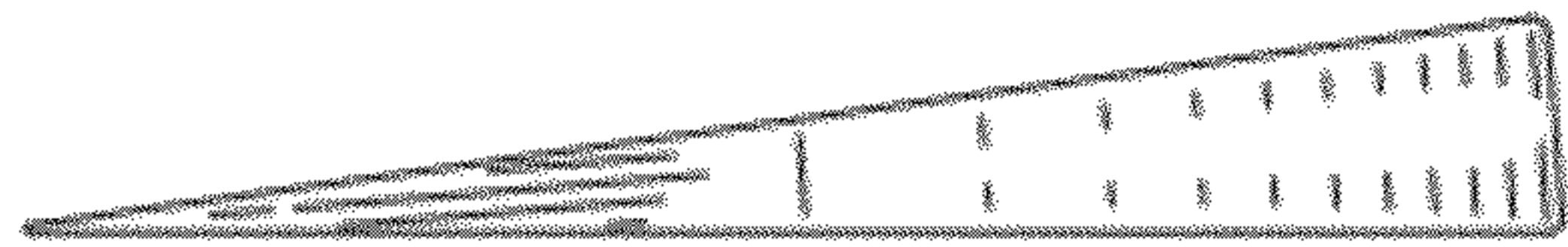


FIG. 5

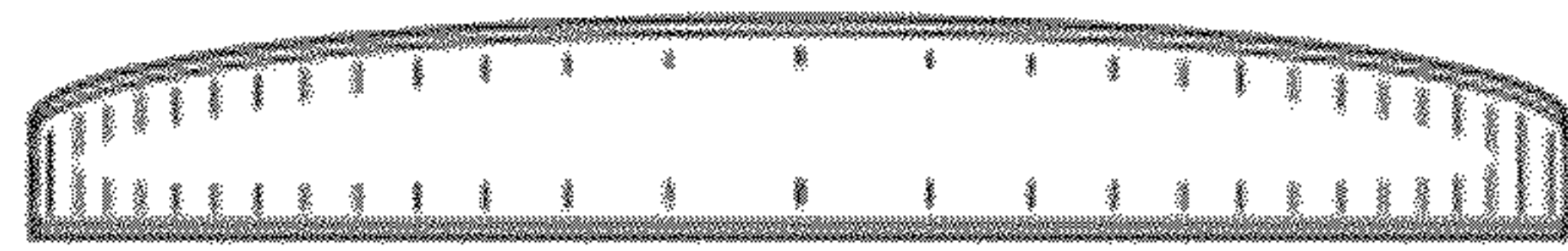


FIG. 6

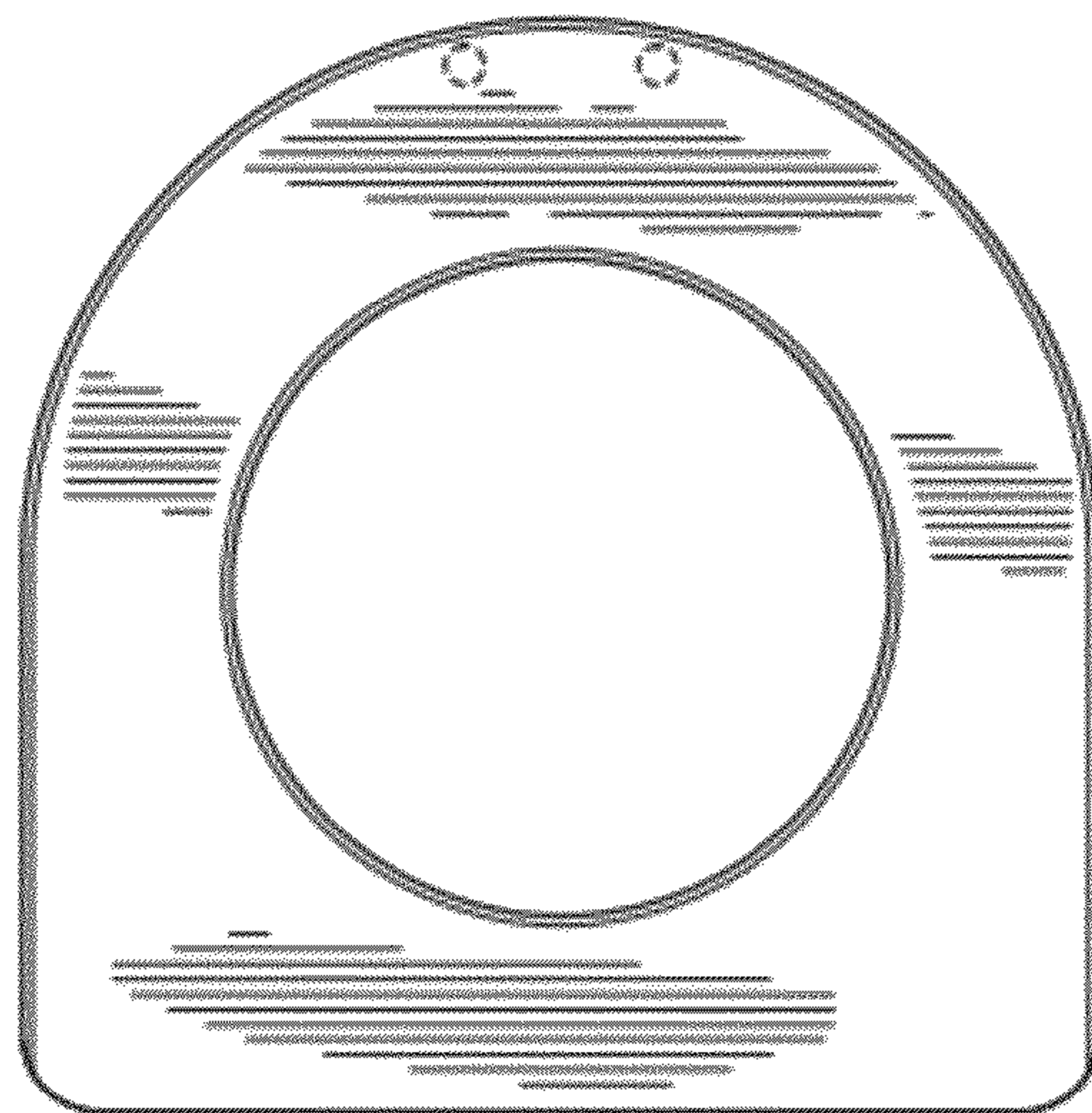


FIG. 7