



US00D673628S

(12) **United States Design Patent**
Larson

(10) **Patent No.:** **US D673,628 S**
(45) **Date of Patent:** **** Jan. 1, 2013**

(54) **POOL CUE SHAFT**

(75) Inventor: **Mark Larson**, Verona, WI (US)

(73) Assignee: **Mark Larson**, Verona, WI (US)

(**) Term: **14 Years**

(21) Appl. No.: **29/409,258**

(22) Filed: **Dec. 21, 2011**

(51) **LOC (9) Cl.** **21-03**

(52) **U.S. Cl.** **D21/726**

(58) **Field of Classification Search** D21/726;
473/44-51

See application file for complete search history.

(56) **References Cited**

U.S. PATENT DOCUMENTS

951,453	A *	3/1910	Ransom	473/44
1,248,634	A *	12/1917	Bose	473/44
D52,945	S	2/1919	Carlson et al.		
1,552,442	A *	9/1925	Lund	473/44
5,114,144	A	5/1992	Baum		
5,217,221	A	6/1993	Baum		
D371,819	S *	7/1996	Brown	D21/726
6,869,370	B2 *	3/2005	Davtyan et al.	473/44
D556,276	S	11/2007	Stoller		
7,294,061	B2 *	11/2007	Kwon	473/44
D583,430	S	12/2008	Belhaj et al.		
7,485,054	B2	2/2009	Rigoli		

7,614,969 B2 11/2009 Meyer
2004/0116196 A1* 6/2004 Nazaruk 473/44
2007/0010340 A1 1/2007 Miki

* cited by examiner

Primary Examiner — Mitchell Siegel

(74) *Attorney, Agent, or Firm* — Michael Best & Friedrich LLP

(57) **CLAIM**

The ornamental design for a pool cue shaft, as shown and described.

DESCRIPTION

FIG. 1 is a perspective view of pool cue, including a pool cue shaft.

FIG. 2 is a left side view of the pool cue shaft shown in FIG. 1.

FIG. 3 is a top view of the pool cue shaft shown in FIG. 1.

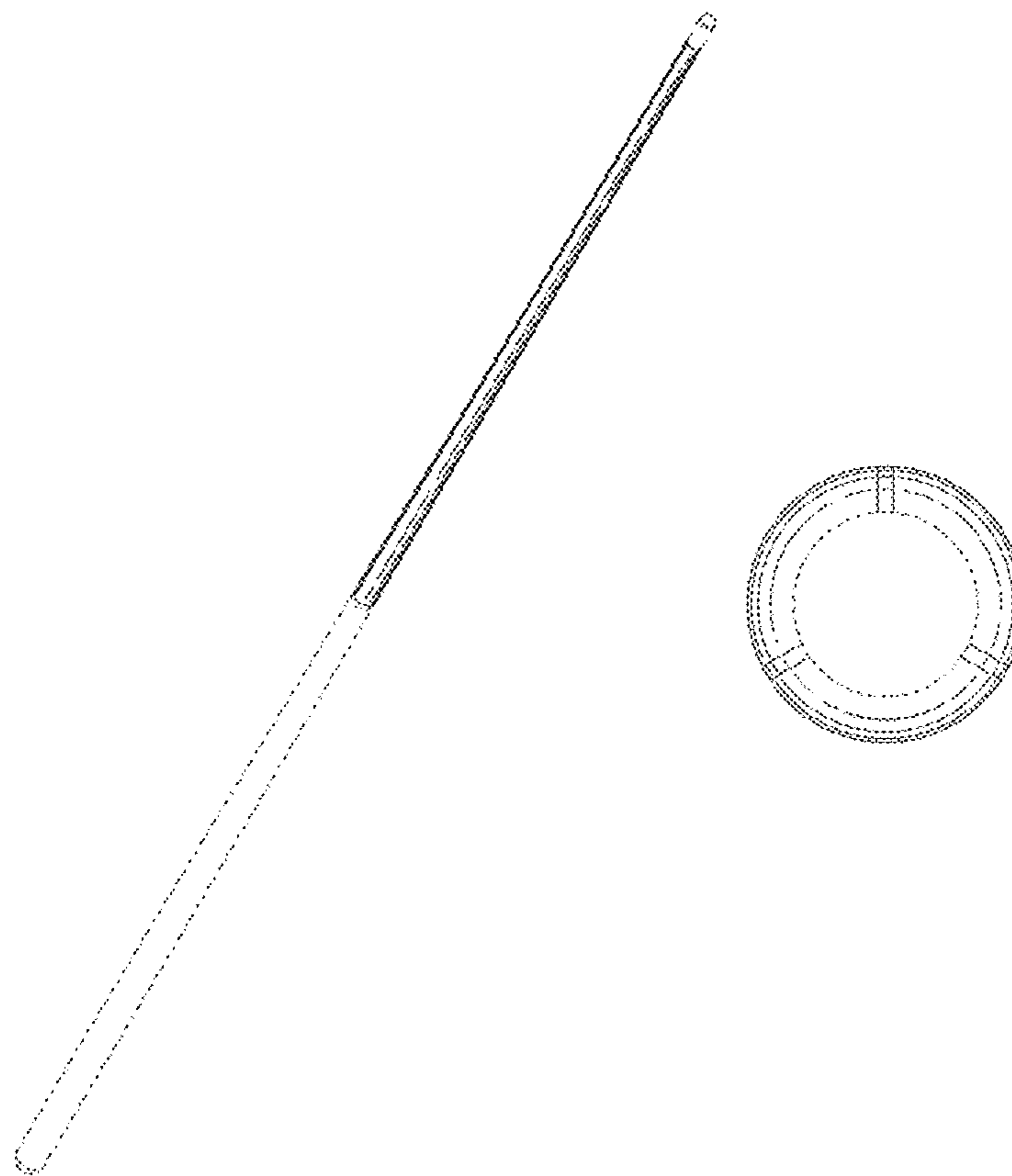
FIG. 4 is a bottom view of the pool cue shaft FIG. 1.

FIG. 5 is front view of the pool cue shaft of FIG. 1; and,

FIG. 6 is a rear view of the pool cue shaft of FIG. 1, according to a first embodiment of the design.

The elements shown in broken lines, including a pool cue butt assembly, tip, ferrule, joint collar and joint insert are included for the purpose of illustrating environment and form no part of the claimed design.

1 Claim, 3 Drawing Sheets



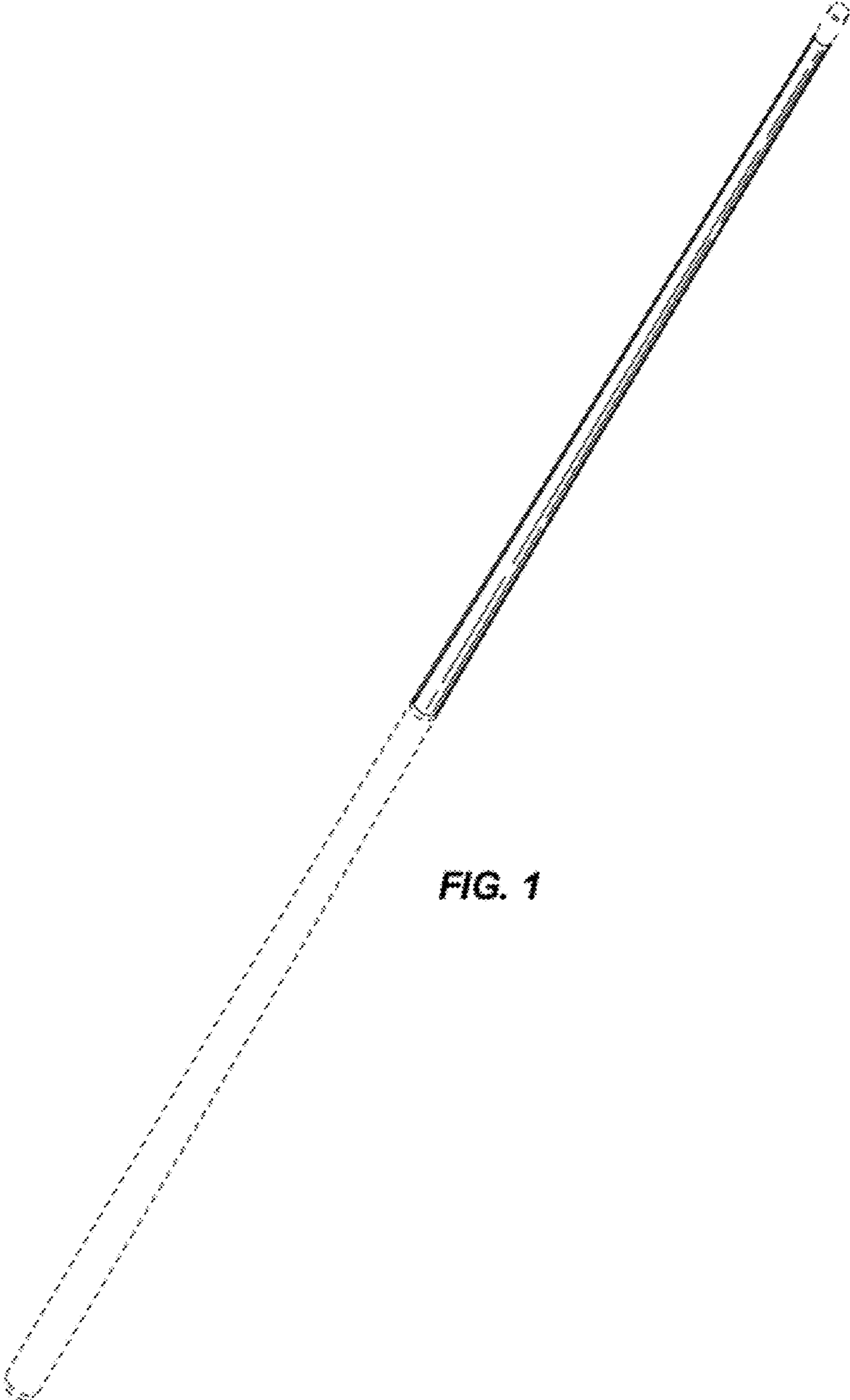


FIG. 1

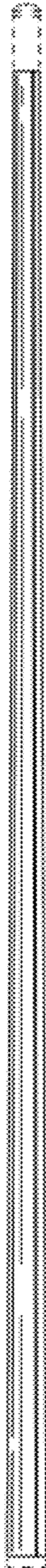


FIG. 2

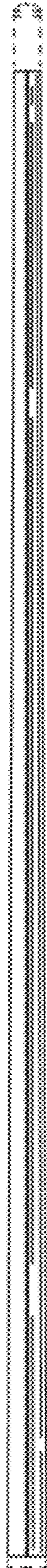


FIG. 3



FIG. 4

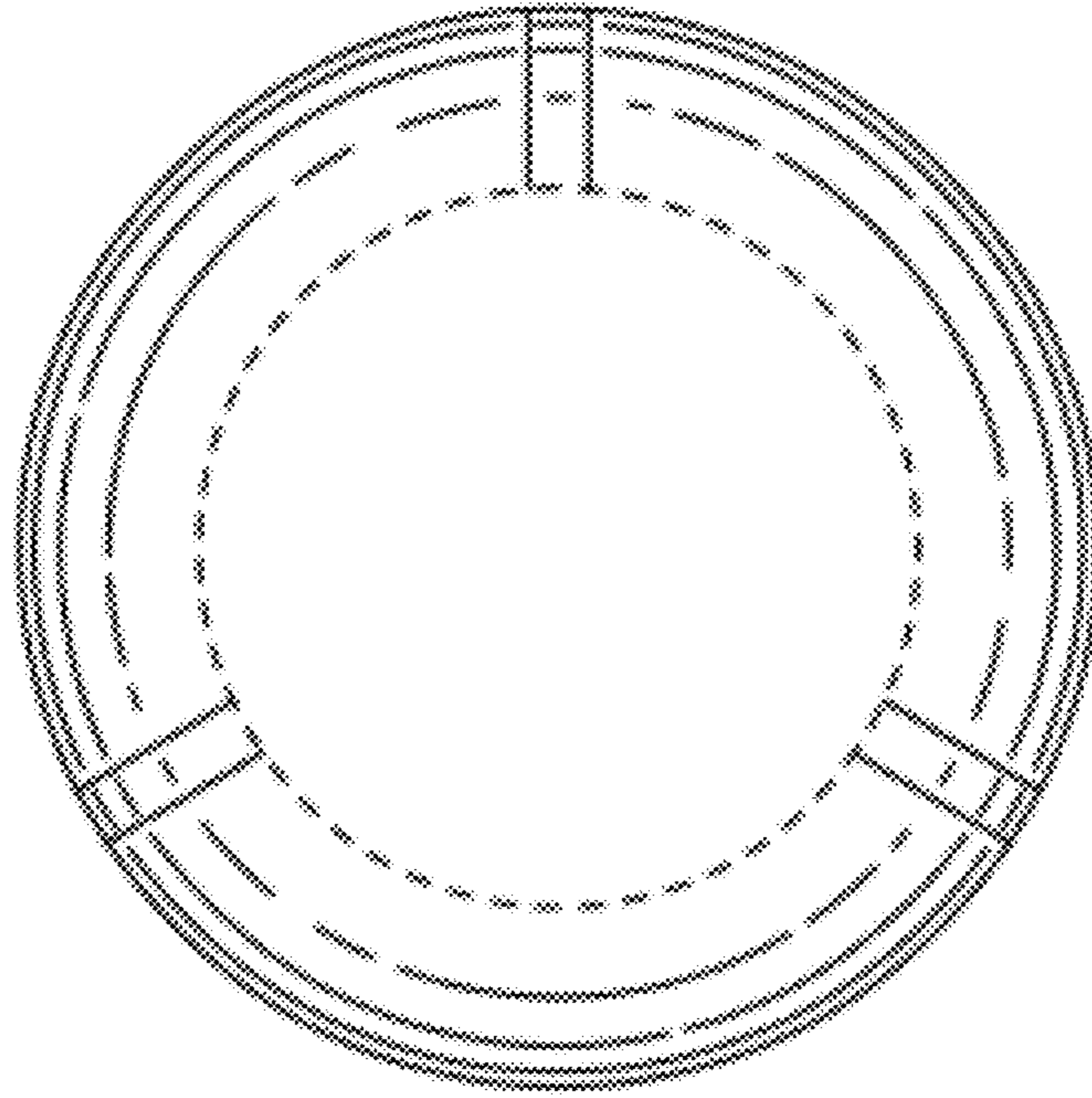


FIG. 5

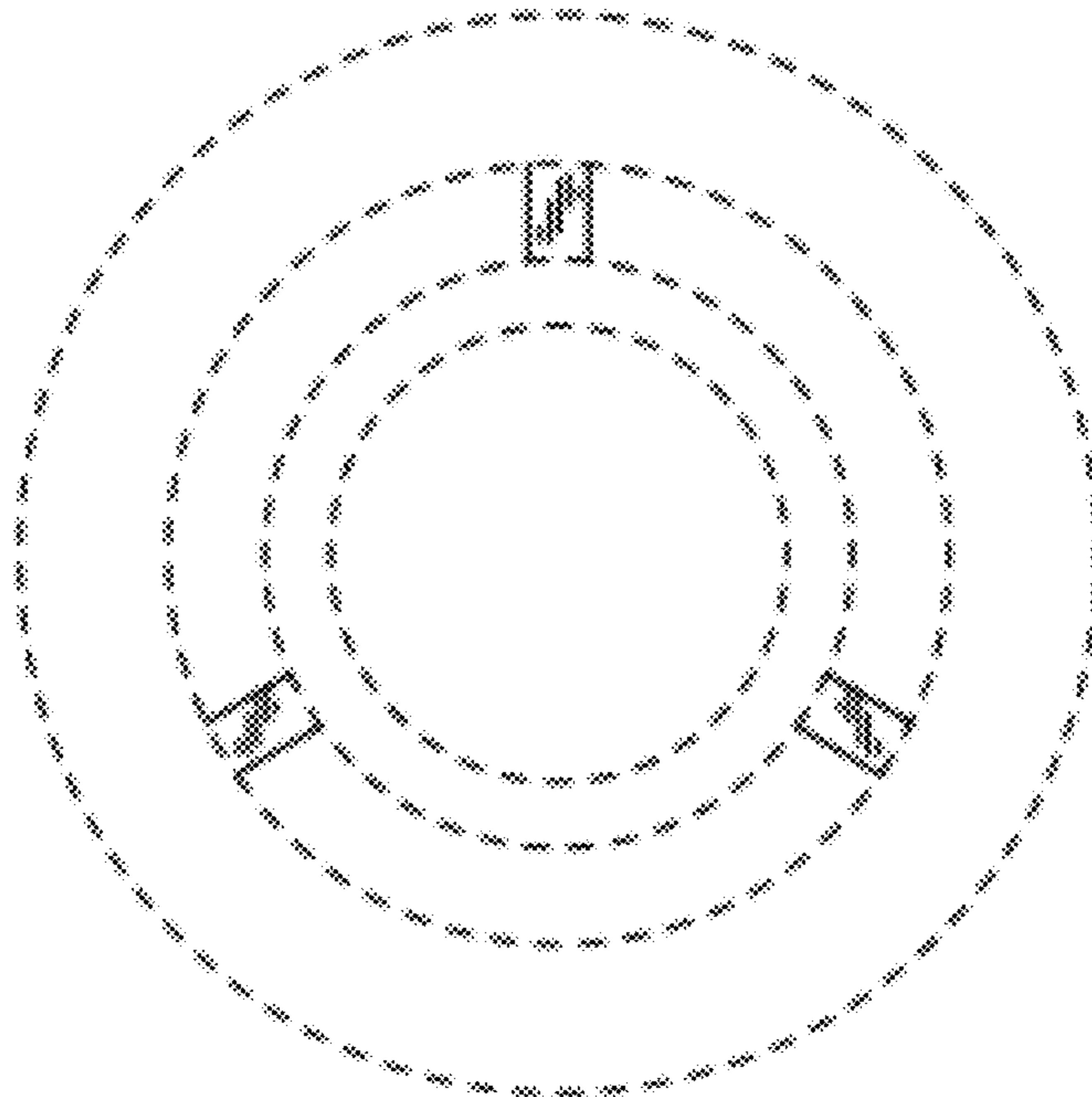


FIG. 6