

US00D673626S

(12) **United States Design Patent**
Olson et al.

(10) **Patent No.:** **US D673,626 S**
(45) **Date of Patent:** **** Jan. 1, 2013**

(54) **EXERCISE DEVICE**

(75) Inventors: **Michael Olson**, Logan, UT (US);
William Dalebout, North Logan, UT
(US); **Steven M. Shorten**, Logan, UT
(US)

(73) Assignee: **Icon Health & Fitness, Inc.**, Logan, UT
(US)

(**) Term: **14 Years**

(21) Appl. No.: **29/397,675**

(22) Filed: **Jul. 19, 2011**

(51) **LOC (9) Cl.** **21-02**

(52) **U.S. Cl.** **D21/686**

(58) **Field of Classification Search** D21/662,
D21/673, 677, 686, 690, 691, 694; 482/1,
482/100, 101, 103, 104, 114, 118, 123, 127,
482/129, 130, 131, 137, 140, 142; 473/219,
473/257

See application file for complete search history.

(56) **References Cited**

U.S. PATENT DOCUMENTS

D80,384	S	*	1/1930	McArdle	D21/686
4,385,760	A	*	5/1983	Mattox et al.	482/114
4,711,448	A	*	12/1987	Minkow et al.	482/100
D304,058	S	*	10/1989	Carlson et al.	D21/677
5,026,049	A		6/1991	Goodman		
5,062,633	A	*	11/1991	Engel et al.	482/118
5,080,350	A	*	1/1992	Schofield et al.	482/132
5,147,266	A		9/1992	Ricard		
5,800,323	A	*	9/1998	Ansel	482/129
5,830,107	A	*	11/1998	Brigliadoro	482/1

6,402,633	B1	*	6/2002	Hsiung et al.	473/219
D475,757	S	*	6/2003	Silverman et al.	D21/673
6,689,025	B2		2/2004	Emick		
7,150,682	B2	*	12/2006	Varner	473/257
7,250,022	B2		7/2007	Dalebout et al.		
7,361,127	B2		4/2008	Tremayne		
7,476,186	B1	*	1/2009	Steffee	482/137
7,482,050	B2		1/2009	Olson		
7,614,984	B1		11/2009	Krull		
7,625,321	B2		12/2009	Simonson et al.		
7,833,141	B2		11/2010	Kulka		
2008/0020912	A1		1/2008	Dalebout et al.		
2009/0227432	A1		9/2009	Pacheco		

* cited by examiner

Primary Examiner — Susan E Krakower

(74) *Attorney, Agent, or Firm* — Icon Health & Fitness, Inc.

(57) **CLAIM**

The ornamental design for an exercise device, as shown and described.

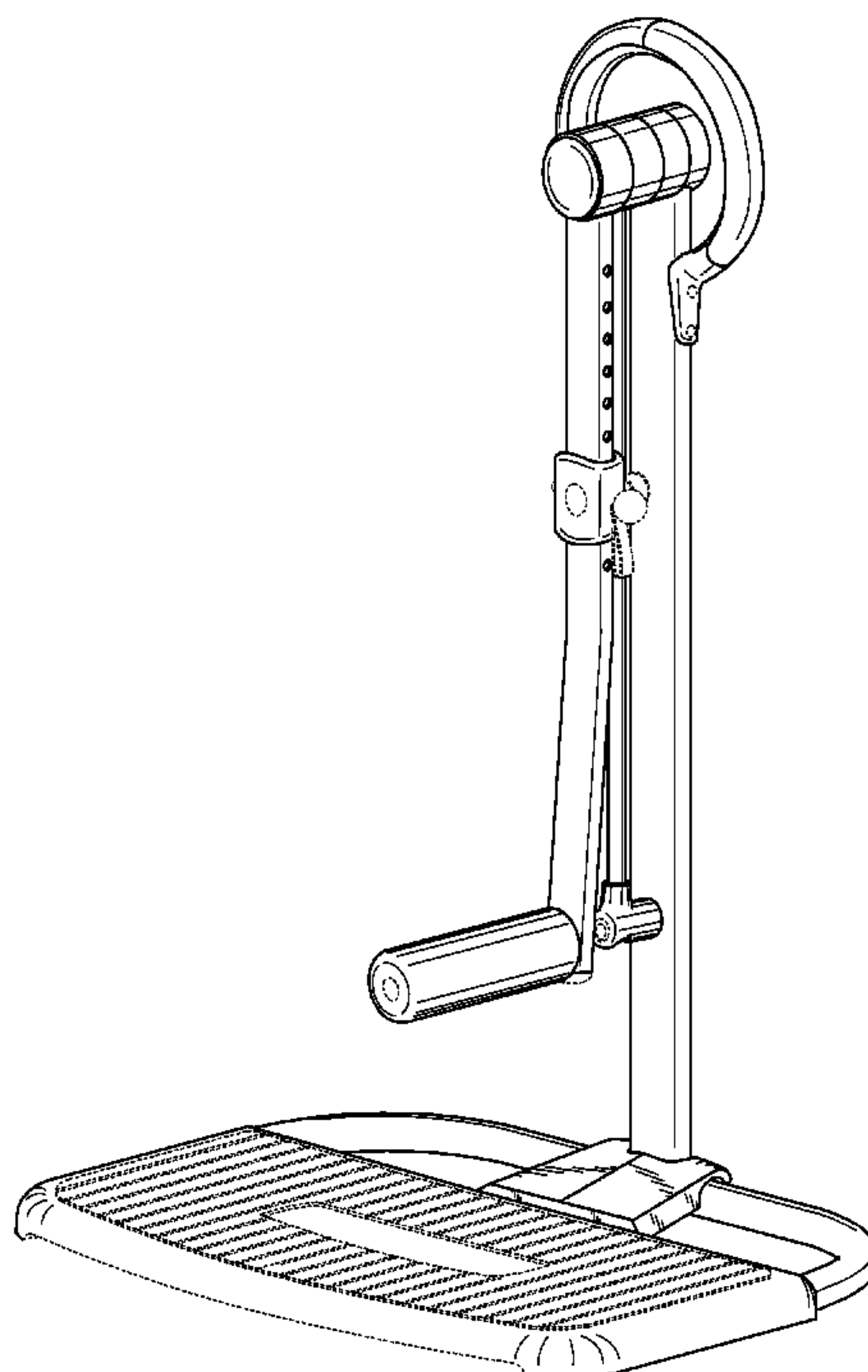
DESCRIPTION

FIG. 1 is a perspective view of an exercise device;
FIG. 2 is a front view thereof;
FIG. 3 is a rear view thereof;
FIG. 4 is a left view thereof;
FIG. 5 is a right view thereof;
FIG. 6 is a bottom view thereof; and,
FIG. 7 is a top view thereof.

The broken lines are directed to environment and are for illustrative purposes only; the broken lines form no part of the claimed design.

The broken lines illustrate portions of the exercise device which form no part of the claimed design.

1 Claim, 6 Drawing Sheets



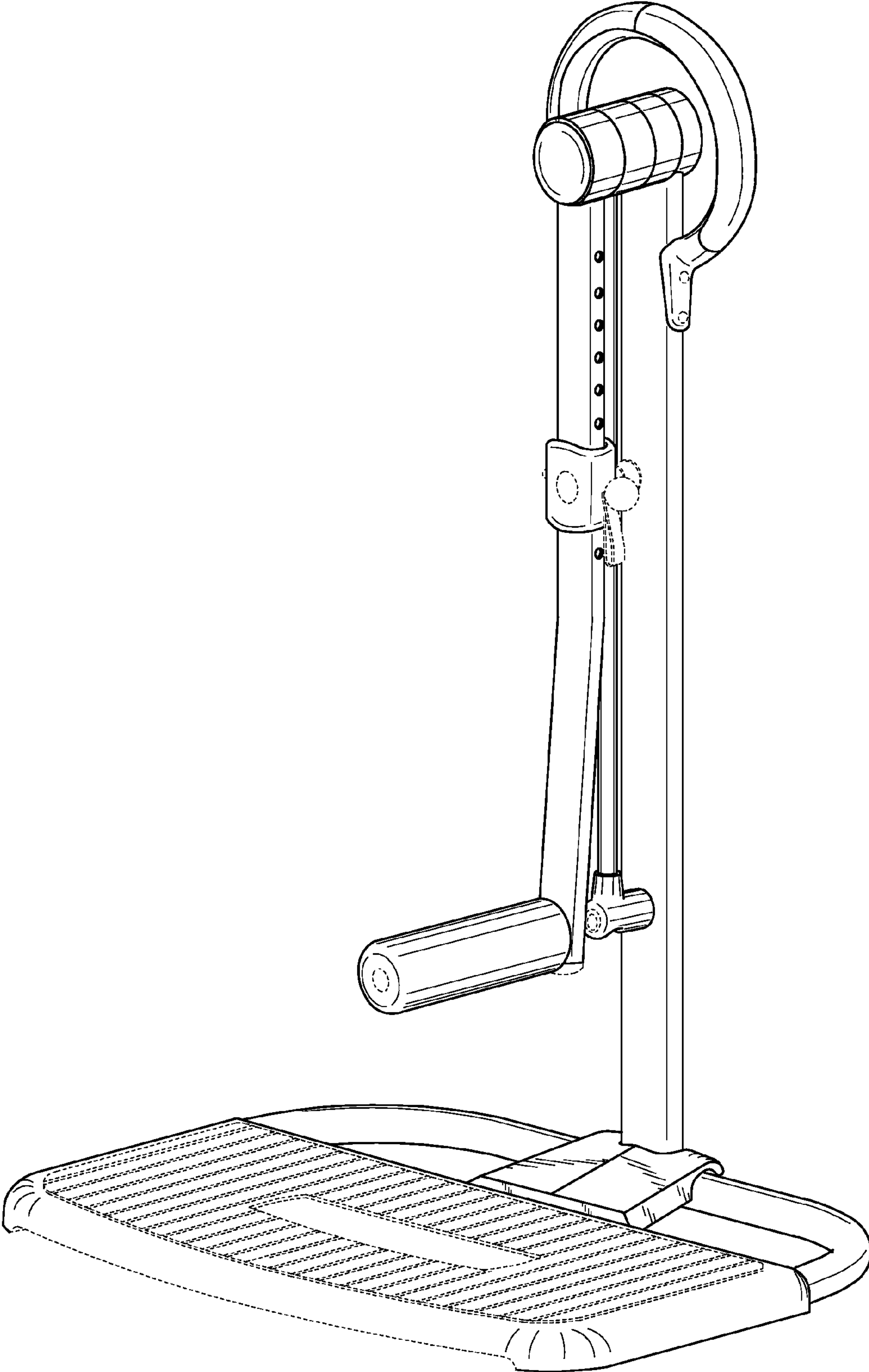


FIG. 1

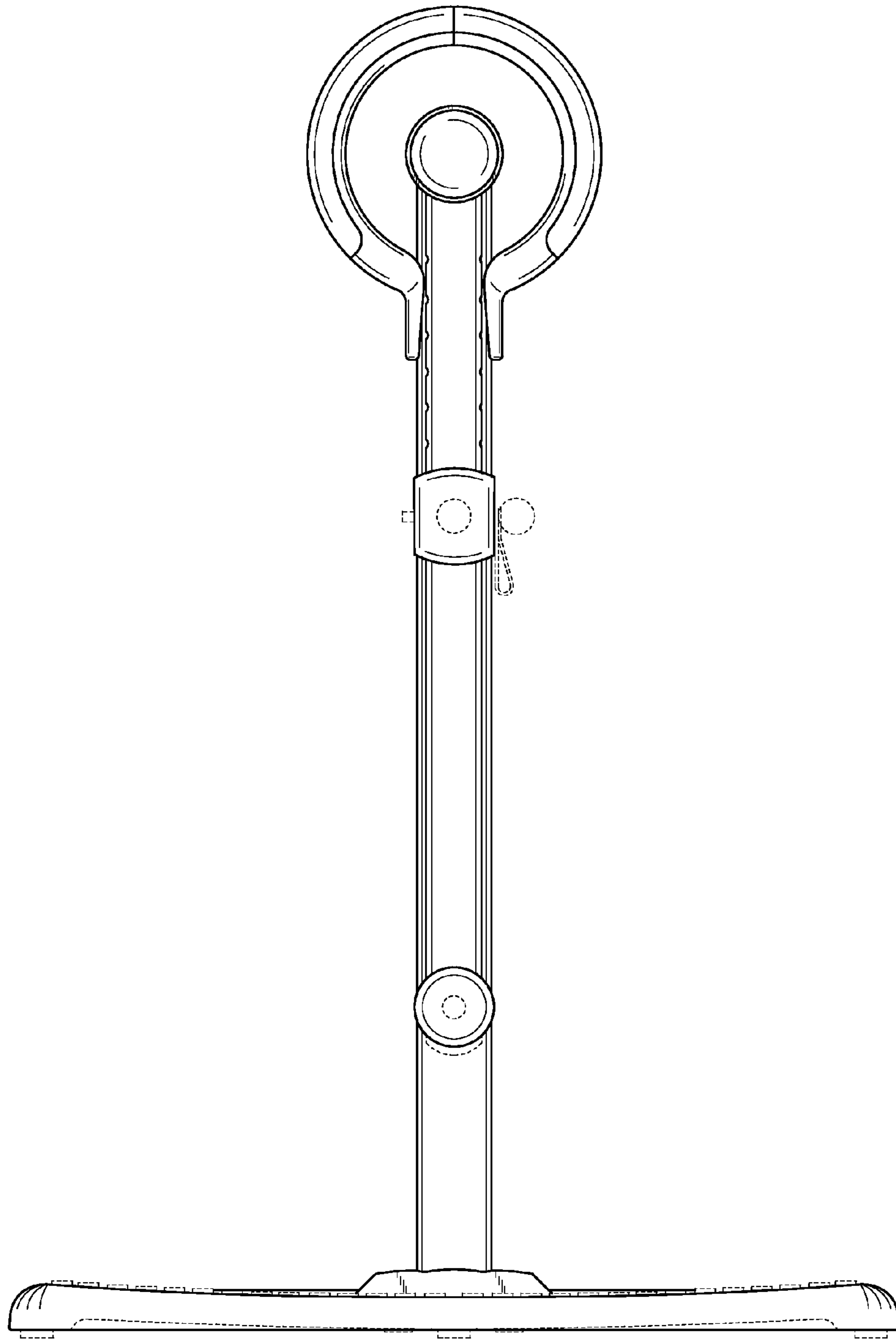


FIG. 2

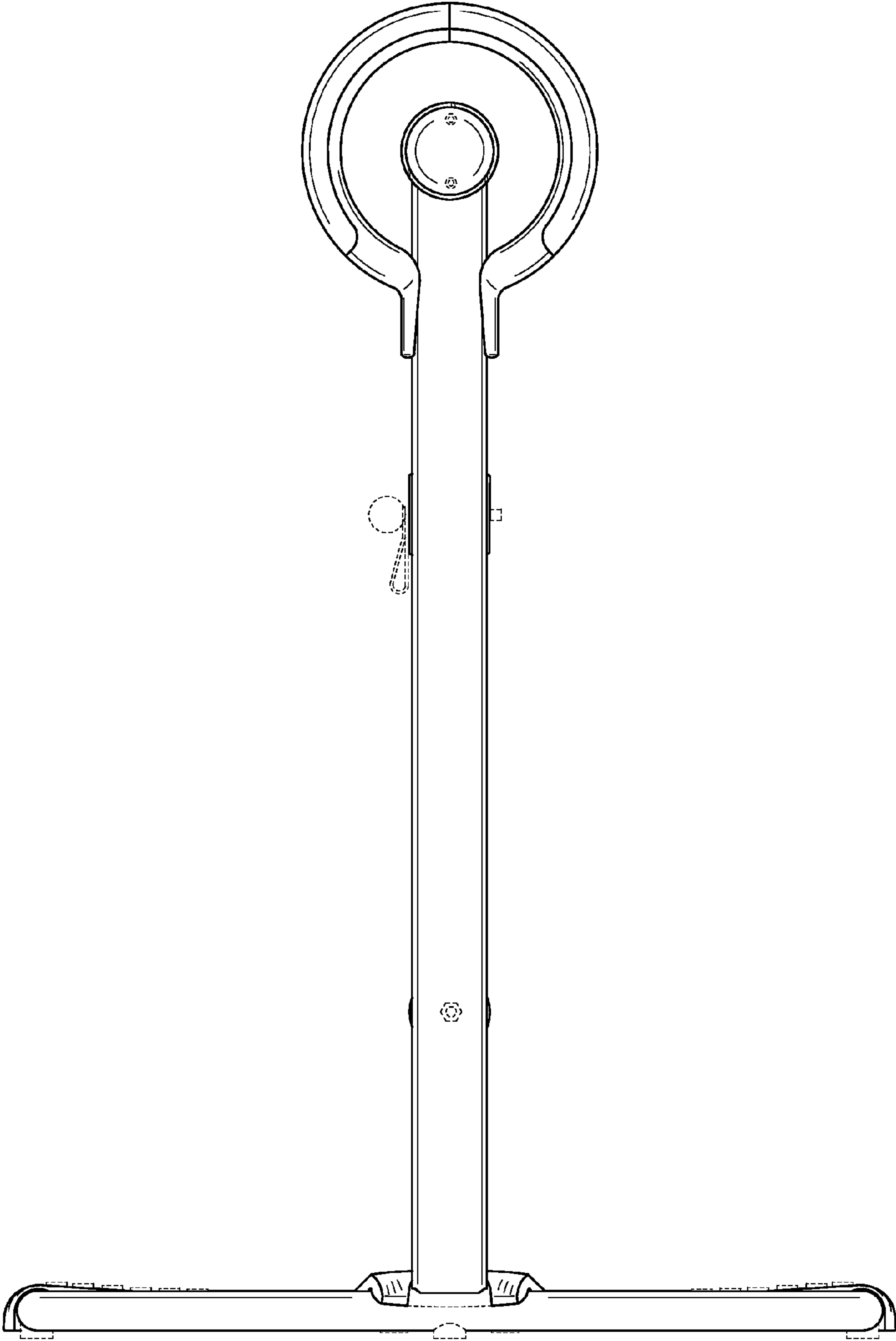


FIG. 3

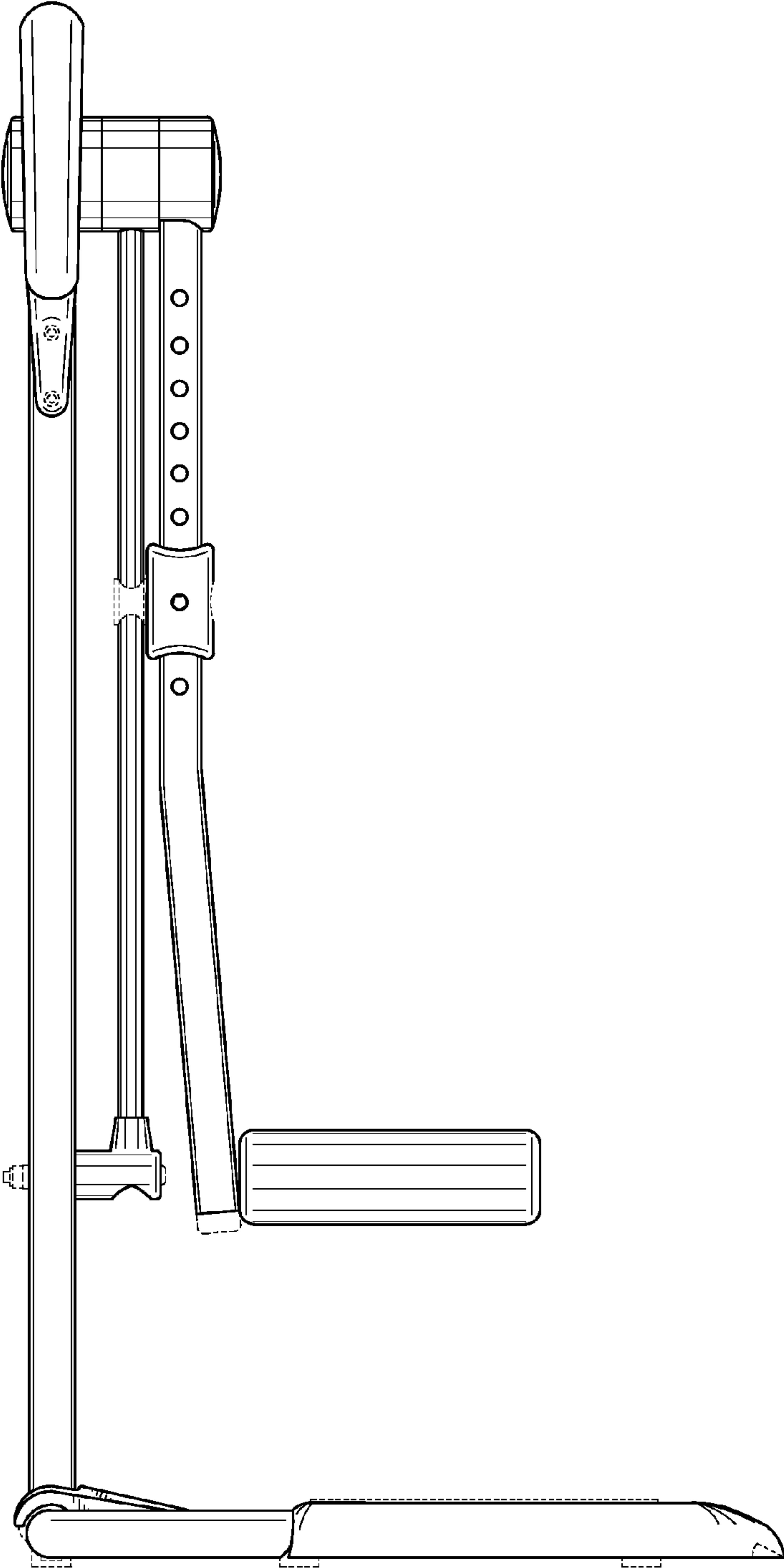


FIG. 4

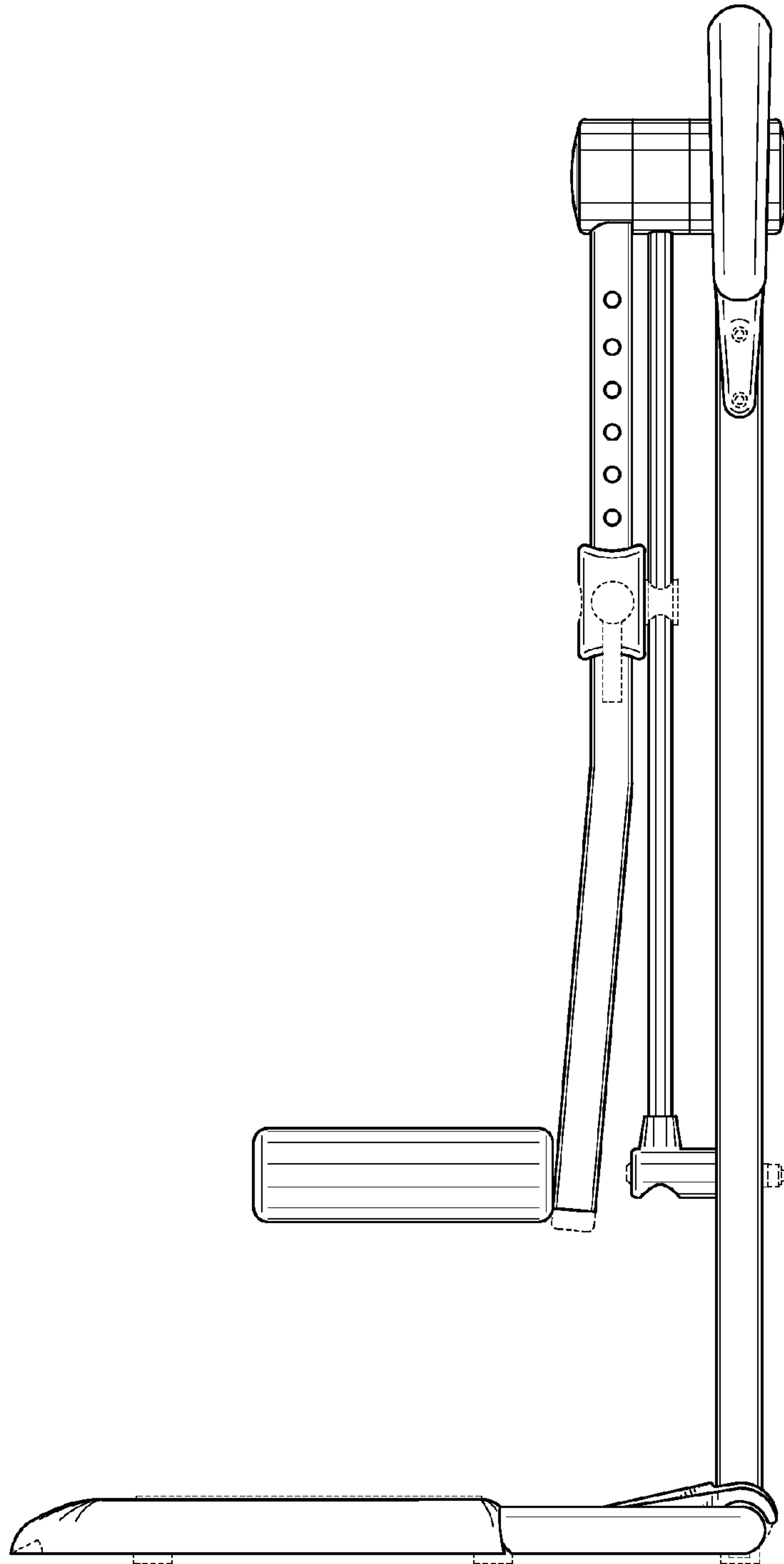


FIG. 5

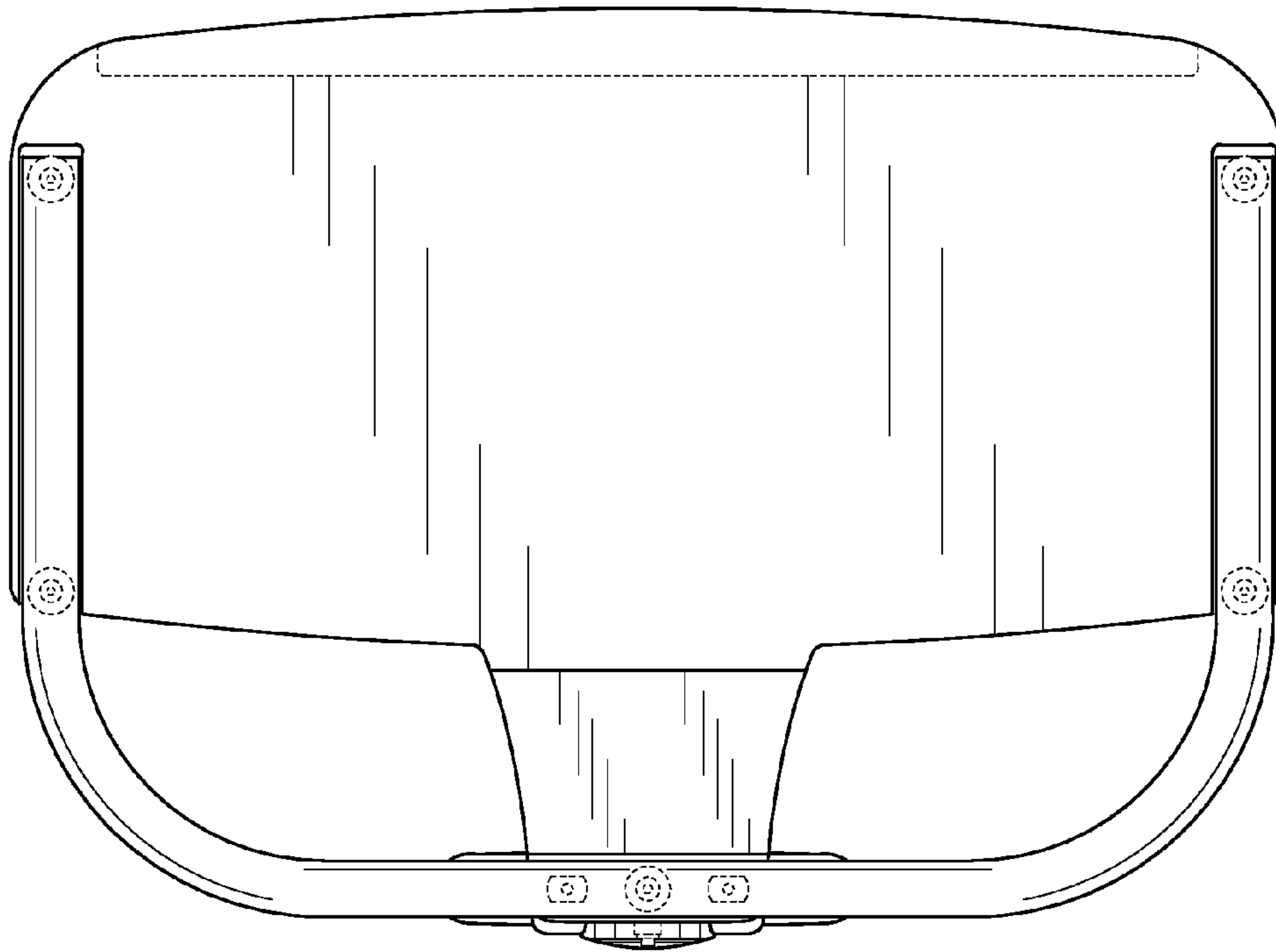


FIG. 6

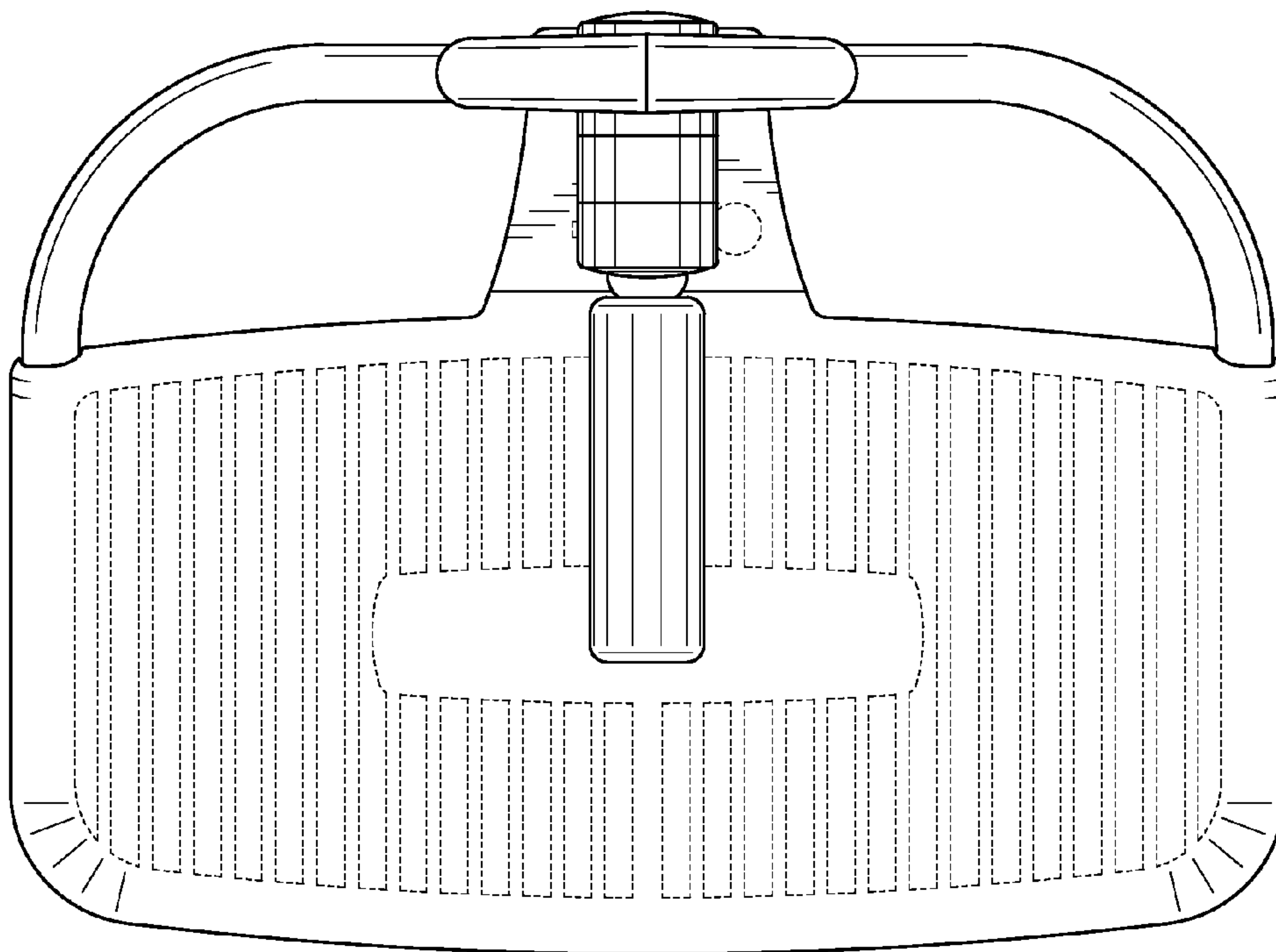


FIG. 7