



US00D673623S

(12) **United States Design Patent**
De Roeck

(10) **Patent No.:** **US D673,623 S**

(45) **Date of Patent:** **** Jan. 1, 2013**

(54) **CYCLE**

(75) **Inventor:** **Sebastian De Roeck**, Westmalle (BE)

(73) **Assignee:** **Ingear B.V.B.A.**, Westmalle (BE)

(**) **Term:** **14 Years**

(21) **Appl. No.:** **29/393,654**

(22) **Filed:** **Jun. 7, 2011**

(30) **Foreign Application Priority Data**

Dec. 8, 2010 (EM) 1790775

(51) **LOC (9) Cl.** **21-01**

(52) **U.S. Cl.** **D21/432; D21/435**

(58) **Field of Classification Search** D21/419,
D21/421, 423, 424, 432, 435, 533, 538; D12/110,
D12/112, 116; 446/440, 457, 462; 280/29,
280/203, 282, 828, 210, 263

See application file for complete search history.

(56) **References Cited**

U.S. PATENT DOCUMENTS

| | | | | |
|---------------|--------|-----------|-------|---------|
| D279,176 S * | 6/1985 | Kasai | | D12/112 |
| 4,596,398 A * | 6/1986 | Grossi | | 280/282 |
| D296,774 S * | 7/1988 | Armstrong | | D12/112 |
| D377,773 S * | 2/1997 | Sloss | | D12/111 |

| | | | | |
|--------------|---------|--------------------|-------|---------|
| D392,343 S * | 3/1998 | Sloss | | D21/435 |
| D435,235 S * | 12/2000 | Matias De Oliveira | | D12/112 |
| D469,477 S * | 1/2003 | Horchler | | D21/424 |
| D473,599 S * | 4/2003 | Horchler | | D21/435 |
| D480,023 S * | 9/2003 | Hsaio | | D12/112 |
| D532,460 S * | 11/2006 | Auberger | | D21/432 |
| D582,489 S * | 12/2008 | Badanjo | | D21/435 |
| D588,205 S * | 3/2009 | Kruger et al. | | D21/423 |
| D630,158 S * | 1/2011 | Jessie, Jr. | | D12/423 |

* cited by examiner

Primary Examiner — Cynthia M Chin

(74) *Attorney, Agent, or Firm* — Banner & Witcoff, Ltd.

(57) **CLAIM**

The ornamental design for a cycle, as shown and described.

DESCRIPTION

FIG. 1 is a front, right perspective view of a cycle showing my new design;

FIG. 2 is a right side view thereof;

FIG. 3 is a left side view thereof;

FIG. 4 is a front, right perspective view of a cycle shown in an alternate configuration;

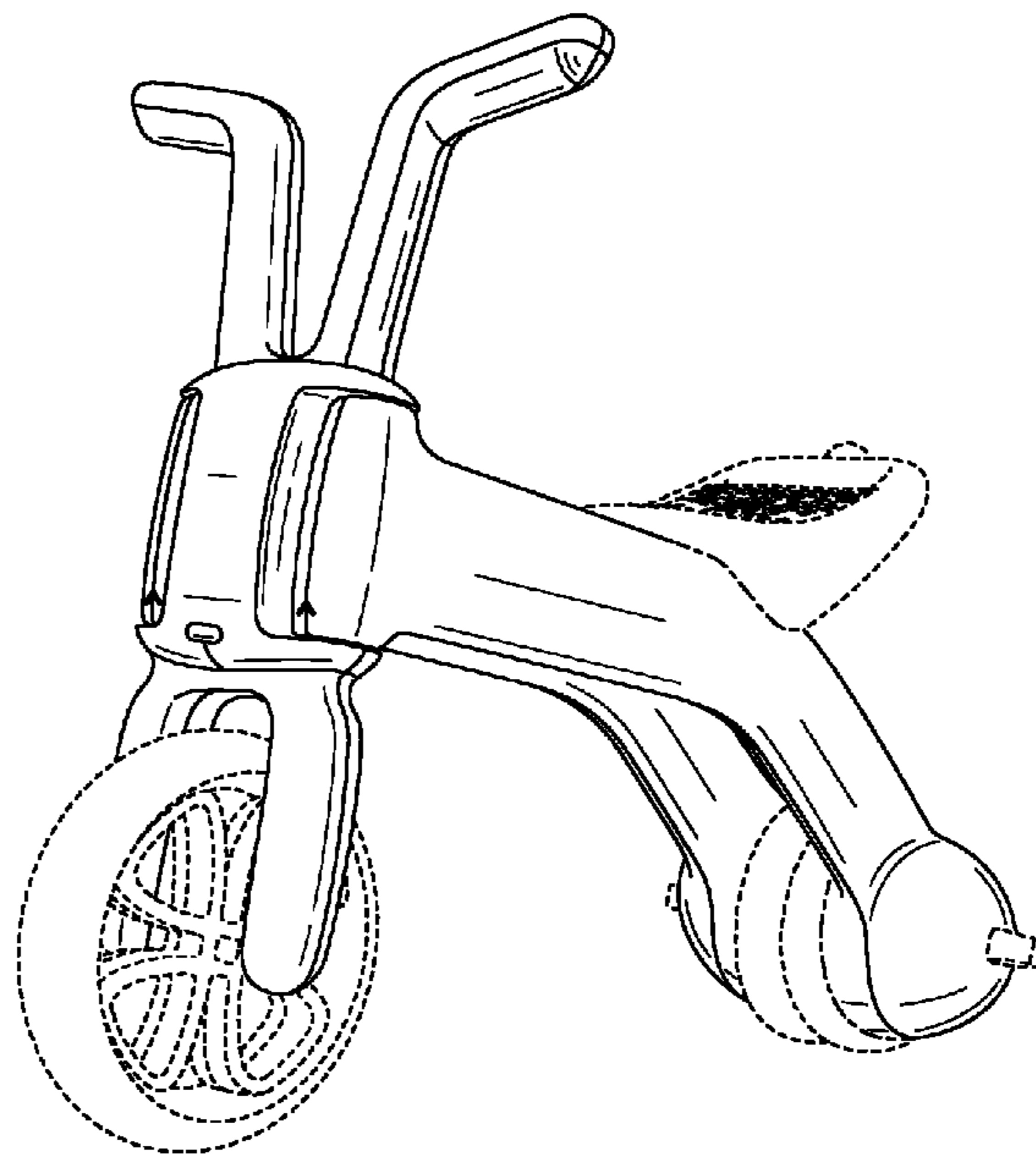
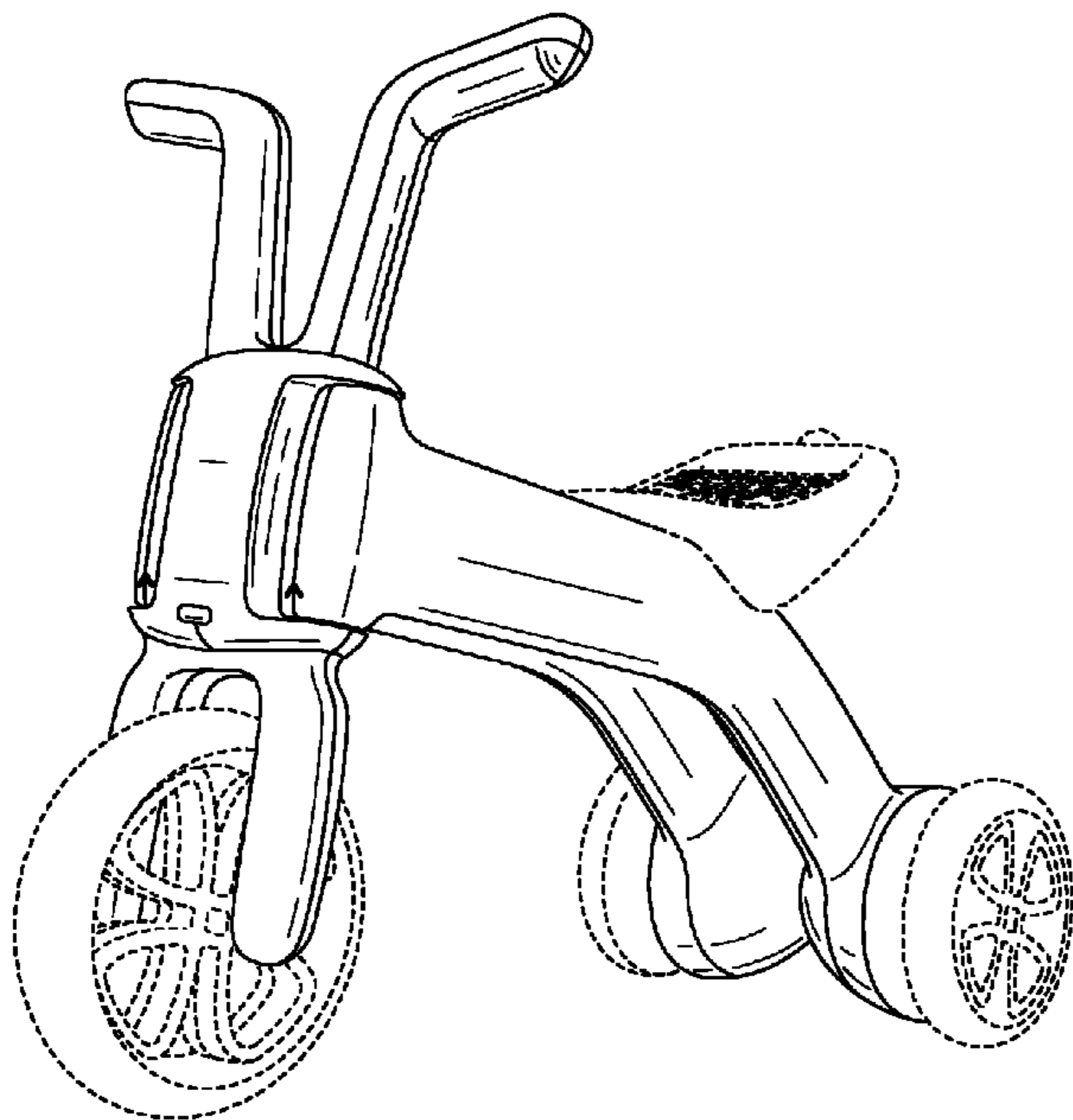
FIG. 5 is a right side view thereof;

FIG. 6 is a left side view thereof; and,

FIG. 7 is a top view thereof.

The broken lines represent portions of the article that form no part of the claim.

1 Claim, 7 Drawing Sheets



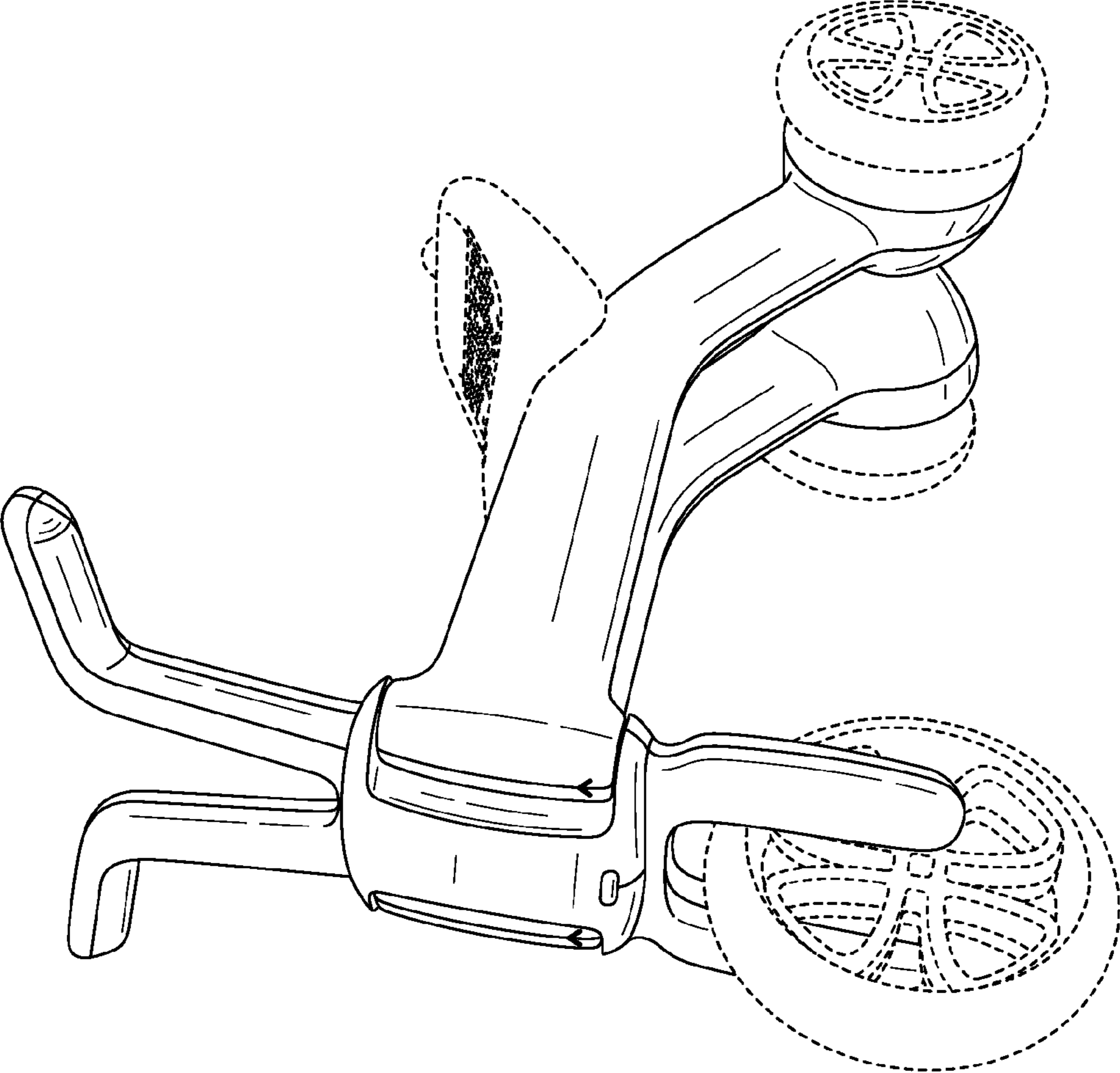


FIG. 1

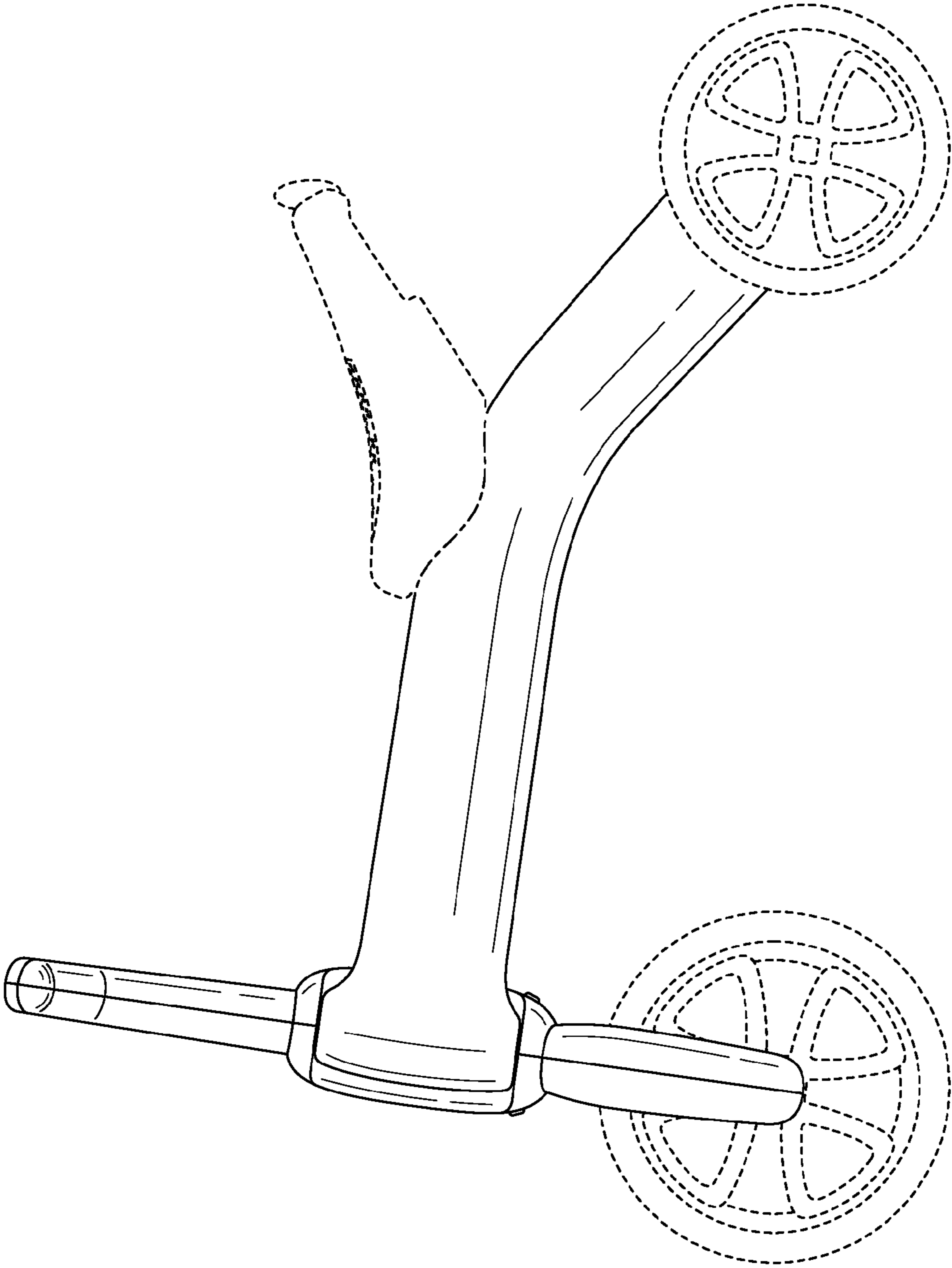


FIG. 2

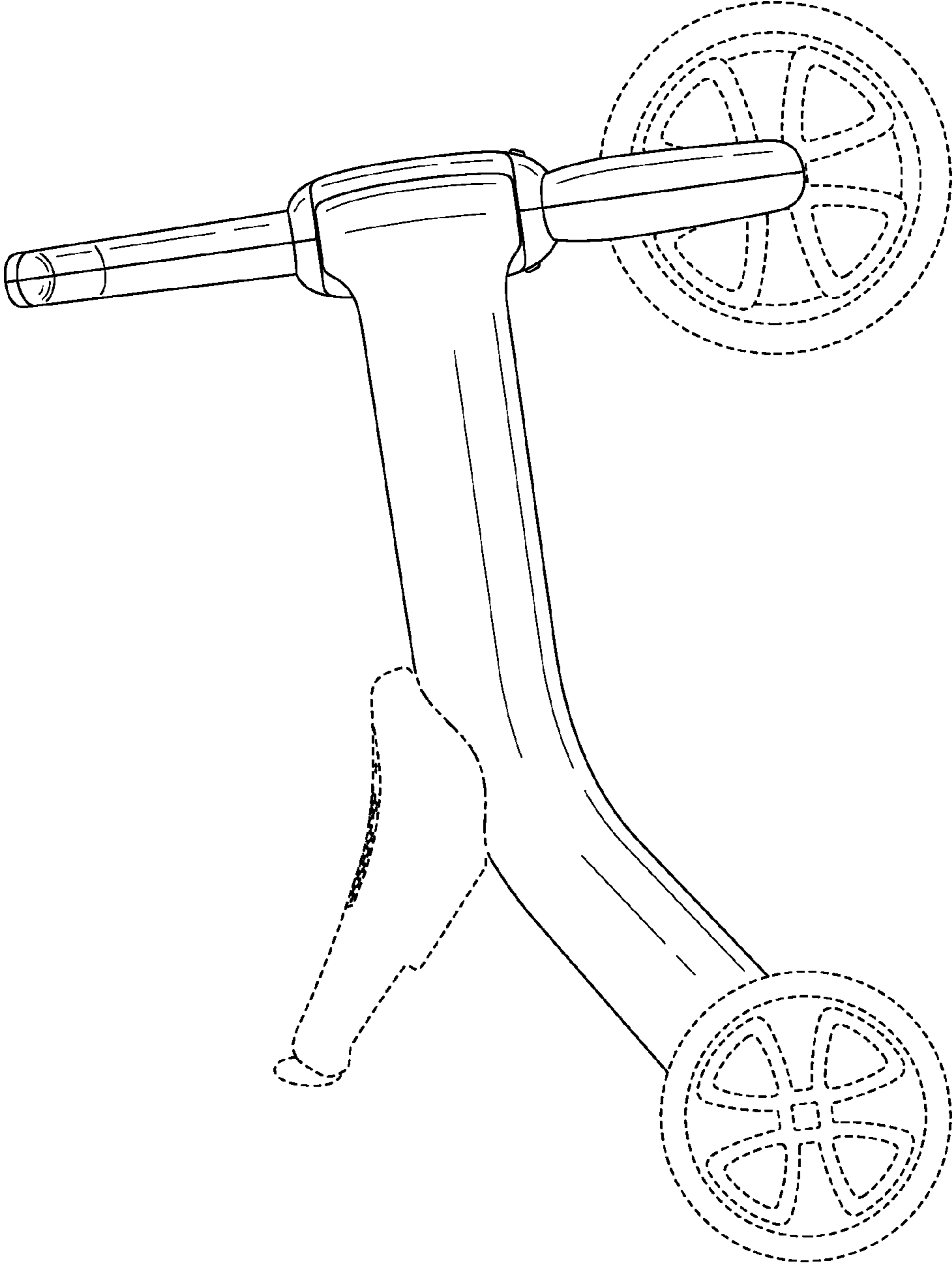


FIG. 3

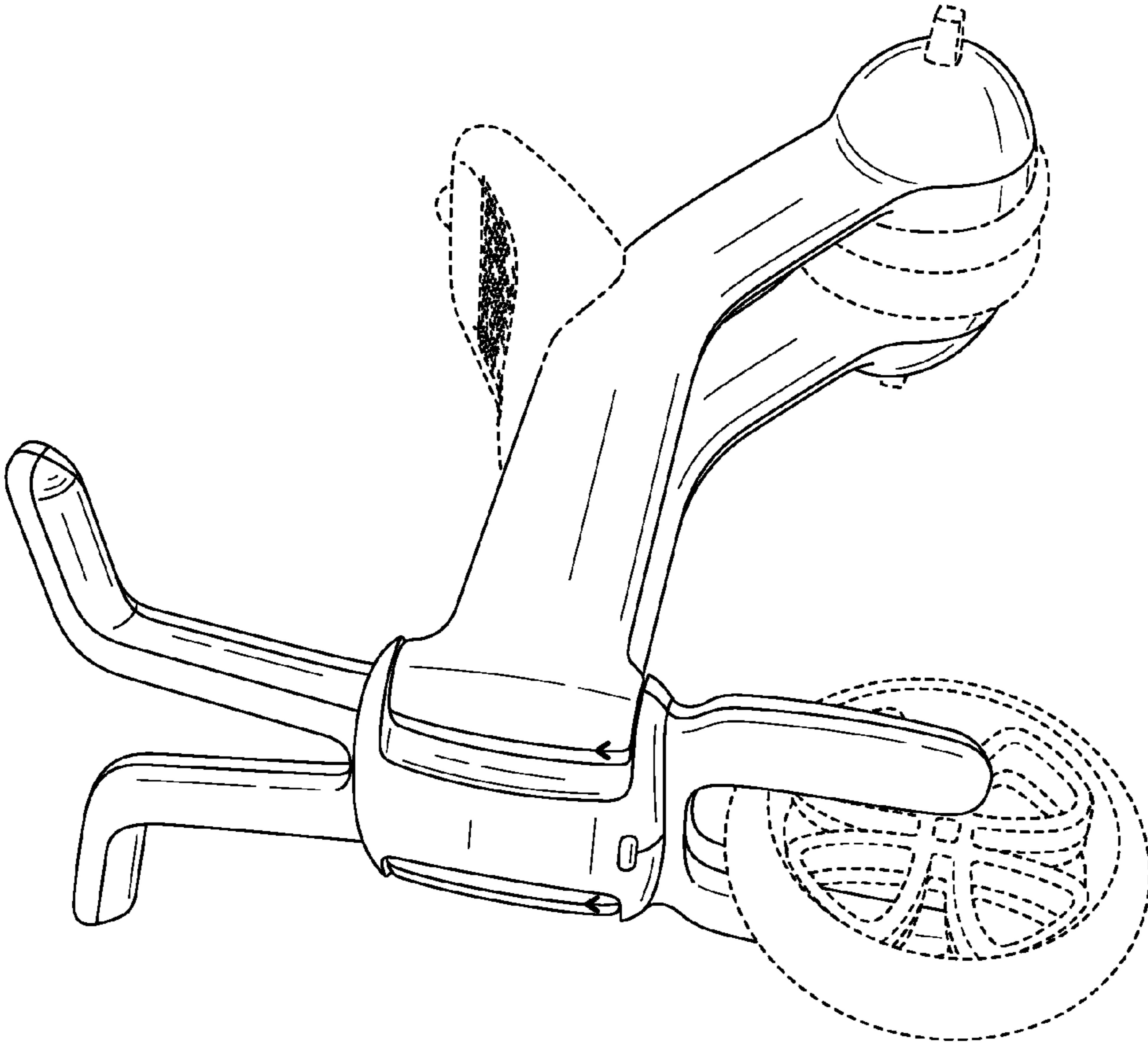


FIG. 4

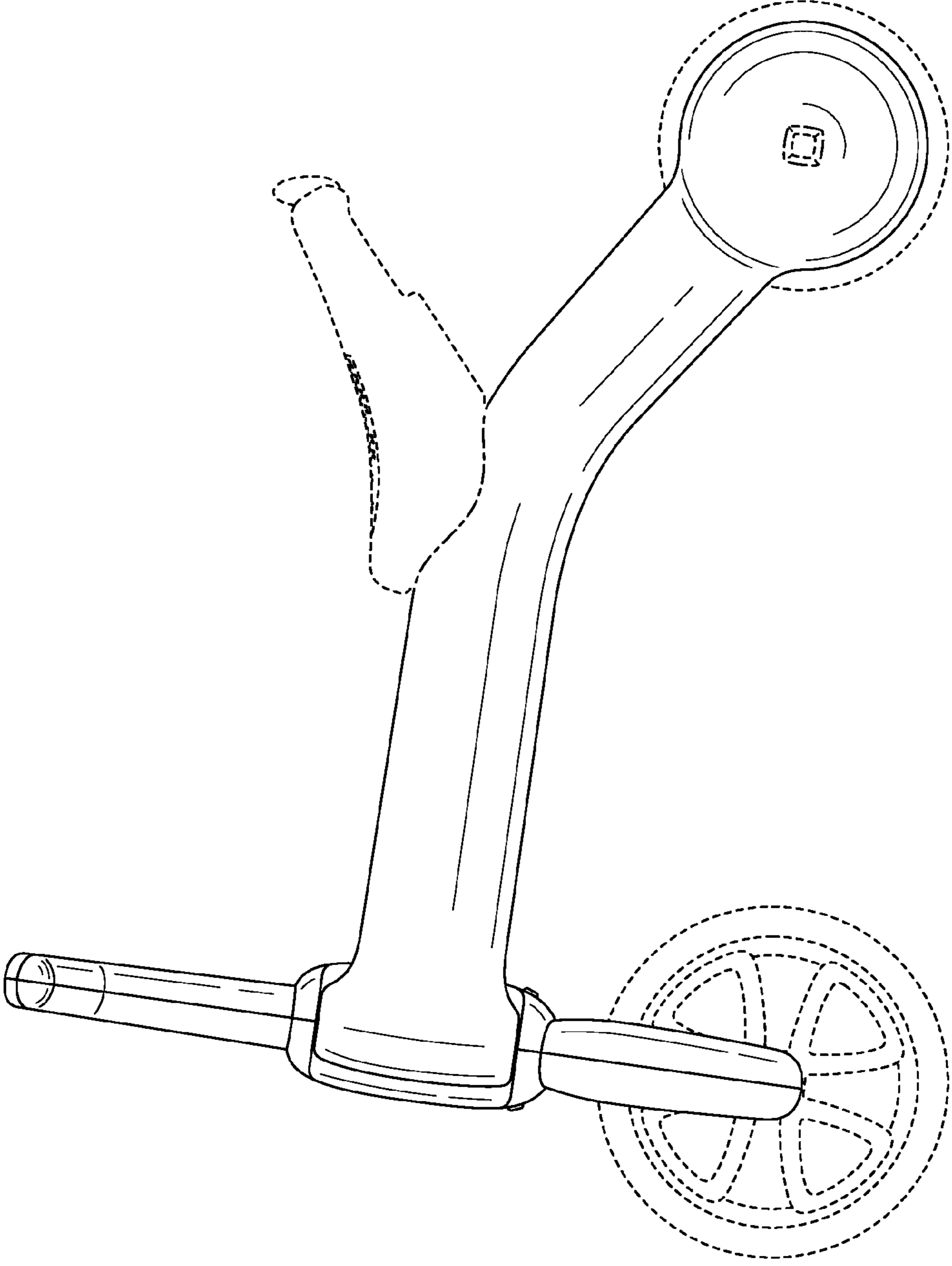


FIG. 5

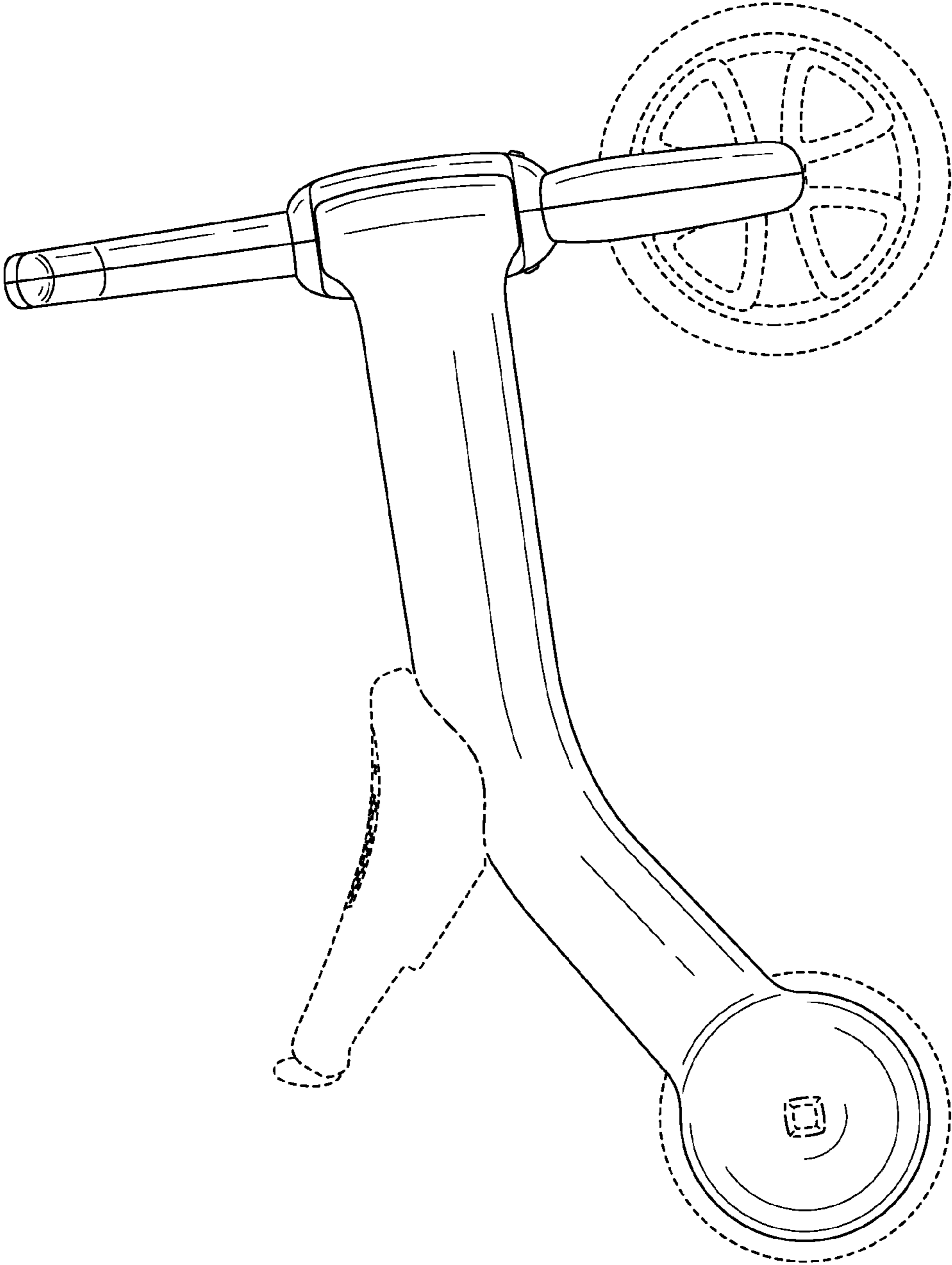


FIG. 6

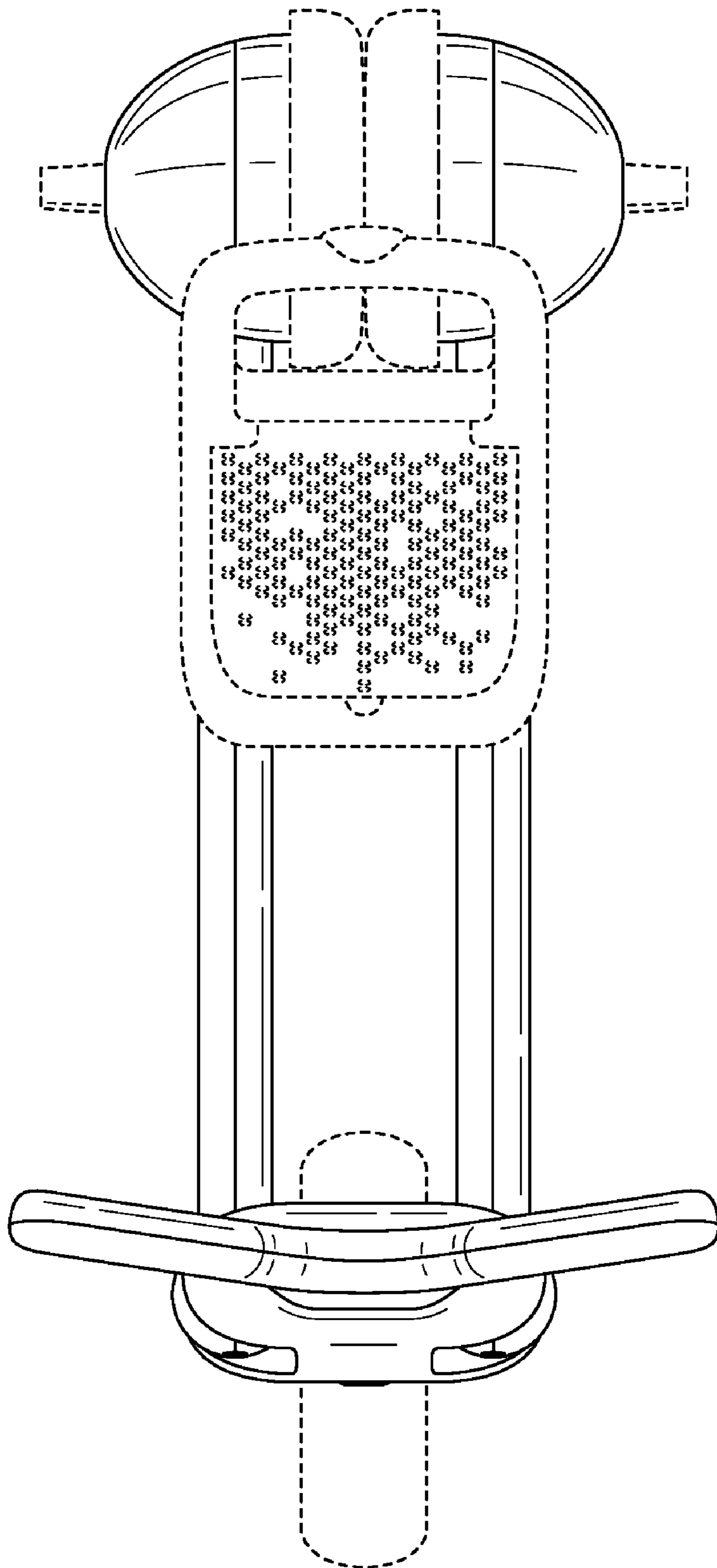


FIG. 7