



US00D673618S

(12) **United States Design Patent**  
**Harper**

(10) **Patent No.:** **US D673,618 S**

(45) **Date of Patent:** **\*\* Jan. 1, 2013**

(54) **VIDEO GAME CONSOLE ACCESSORY  
PROTECTIVE COVER**

(76) Inventor: **Paul Harper**, Phillips Ranch, CA (US)

(\*\*) Term: **14 Years**

(21) Appl. No.: **29/392,854**

(22) Filed: **May 27, 2011**

(51) **LOC (9) Cl.** ..... **21-01**

(52) **U.S. Cl.** ..... **D21/333; D14/217**

(58) **Field of Classification Search** ..... D14/218,  
D14/432, 356, 358.44, 400, 401; D21/332,  
D21/333, 324, 328; 273/148 B; 463/1, 29-47;  
D3/218, 301; 361/807-810; 248/689, 690,  
248/309.1, 314, 346.01, 346.03, 346.06,  
248/346.04; 206/320, 305

See application file for complete search history.

(56) **References Cited**

**U.S. PATENT DOCUMENTS**

4,524,991 A \* 6/1985 Thomas ..... 281/20  
D279,845 S \* 7/1985 Holliman ..... D14/457  
5,568,951 A \* 10/1996 Morgan ..... 292/307 A  
D434,811 S \* 12/2000 Aleman ..... D21/333  
6,360,510 B1 \* 3/2002 Woodrum et al. .... 52/481.1  
6,465,750 B1 \* 10/2002 Rubenstein ..... 200/43.21

7,055,468 B2 \* 6/2006 Schondelmaier et al. . 123/41.31  
7,068,516 B2 \* 6/2006 Chan et al. .... 361/731  
7,255,078 B2 \* 8/2007 Yoshijima et al. .... 123/90.38  
D624,601 S \* 9/2010 Grossman ..... D21/333  
D628,242 S \* 11/2010 Crowder ..... D21/333  
D640,682 S \* 6/2011 Ledbetter et al. .... D14/257

\* cited by examiner

*Primary Examiner* — Prabhakar Deshmukh

(74) *Attorney, Agent, or Firm* — Rhema Law Group, P.C.;  
John D. Tran

(57) **CLAIM**

The ornamental design for a video game console accessory protective cover, as shown and described.

**DESCRIPTION**

FIG. 1 is a front elevational view of a video game console accessory protective cover showing my new design;  
FIG. 2 is a rear elevational view thereof;  
FIG. 3 is a top plan view thereof;  
FIG. 4 is a left side elevational view thereof;  
FIG. 5 is a right side elevational view thereof;  
FIG. 6 is a bottom, front, left perspective view thereof;  
FIG. 7 is a bottom, front, right perspective view thereof;  
FIG. 8 is a top, front, left perspective view thereof; and,  
FIG. 9 is a top, front, right perspective view thereof.

**1 Claim, 8 Drawing Sheets**





FIG. 1



FIG. 2



FIG. 3

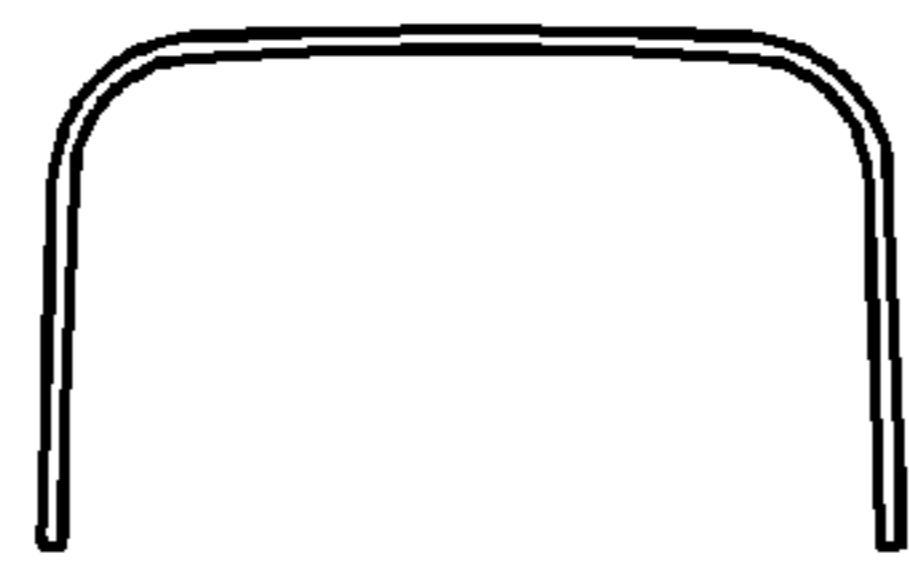


FIG. 4

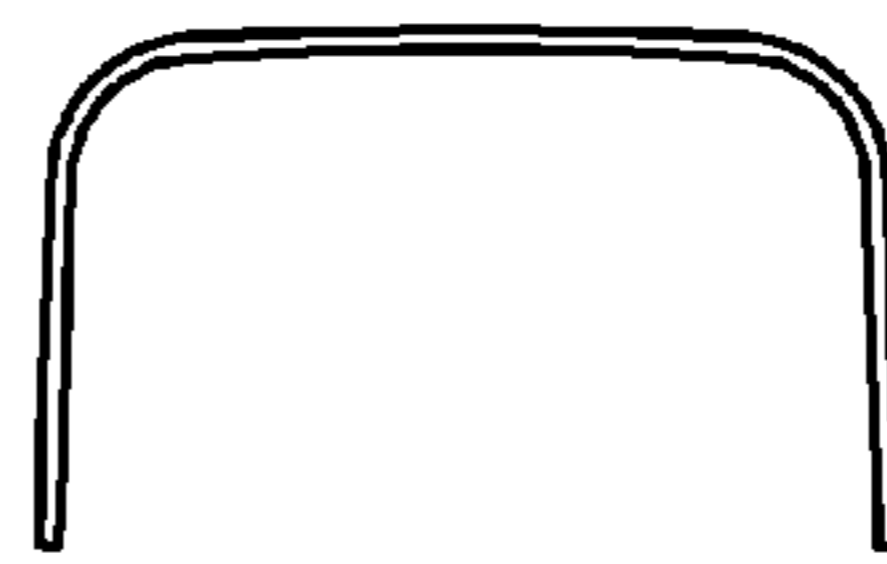


FIG. 5

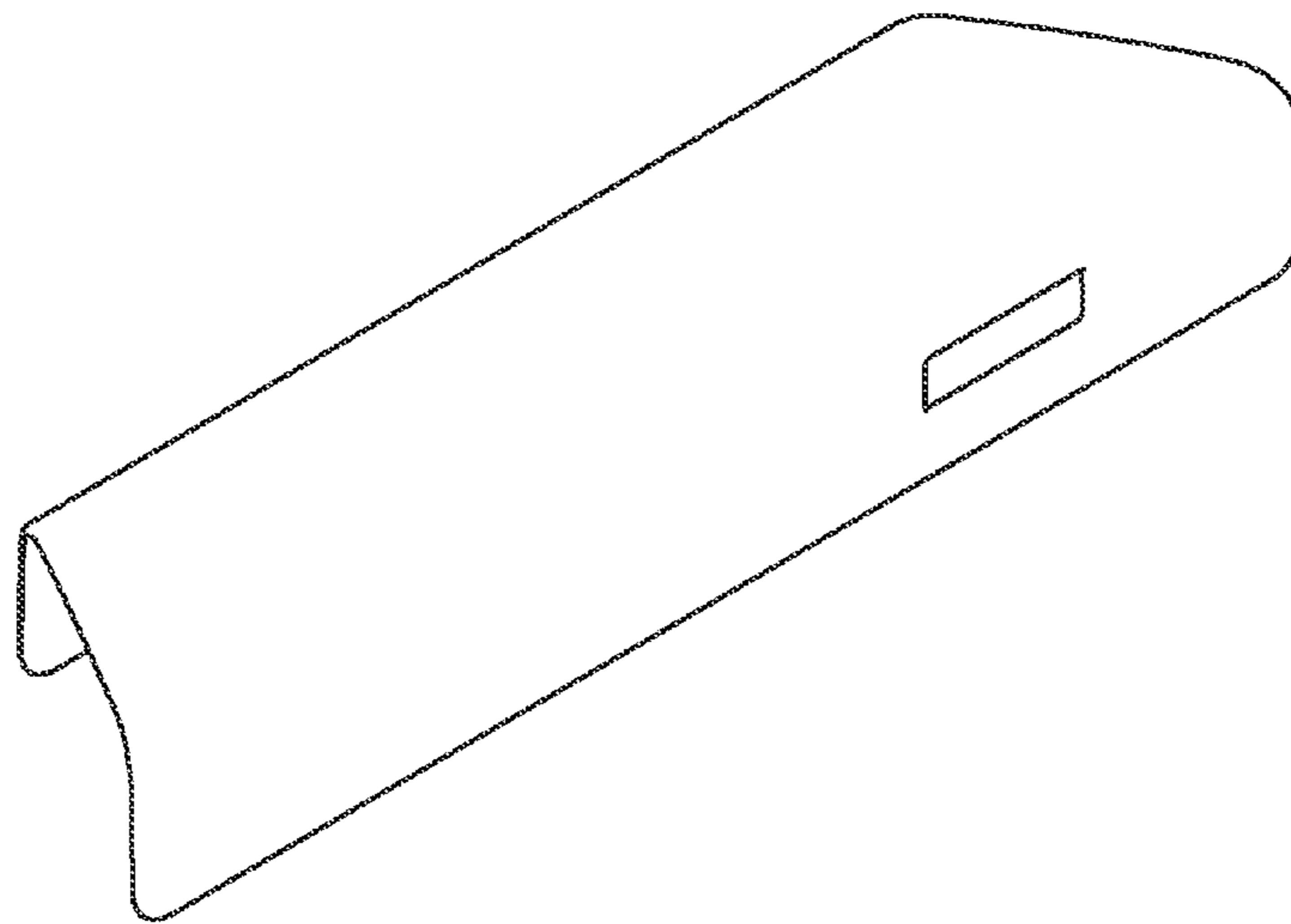


FIG. 6

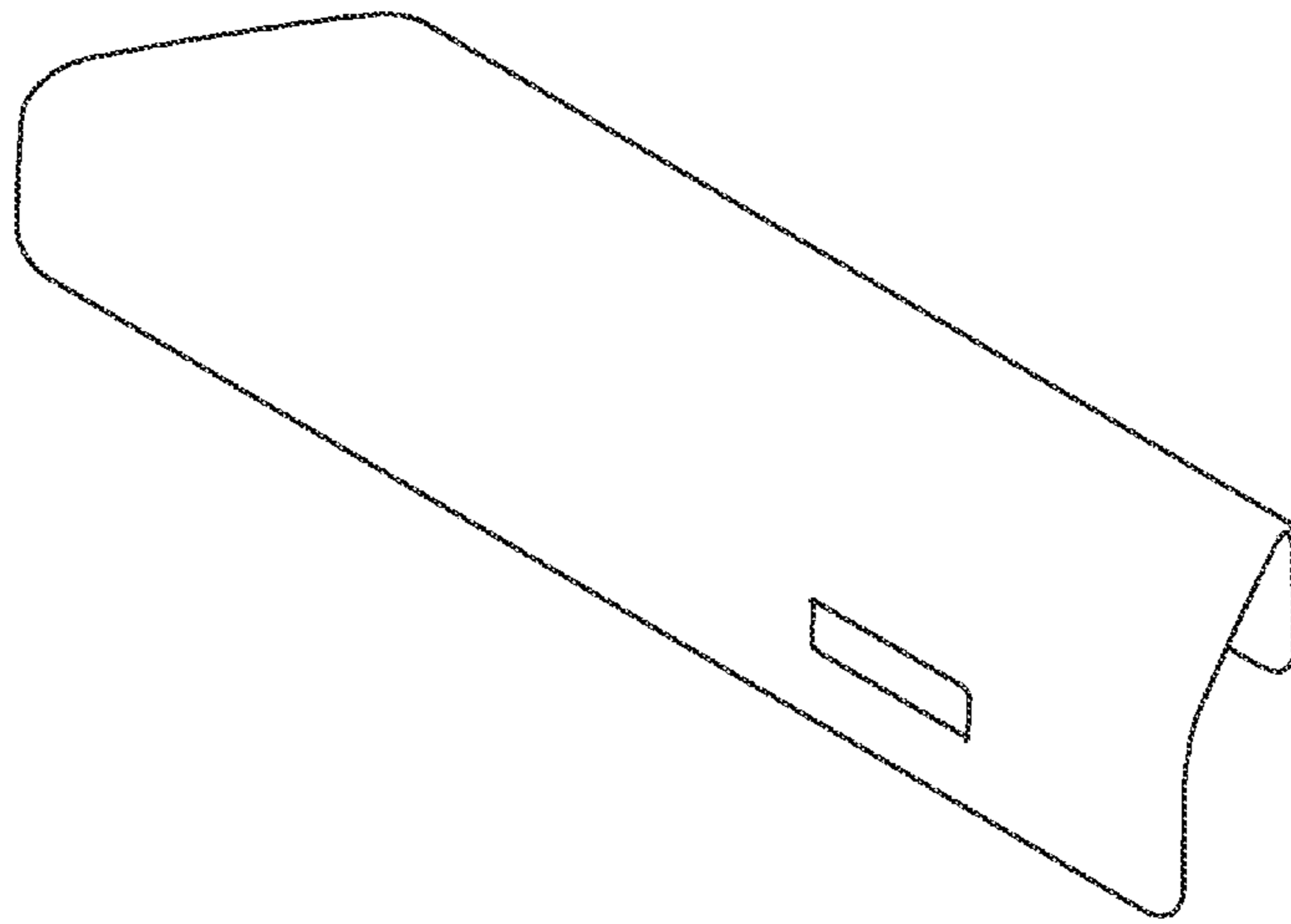


FIG. 7

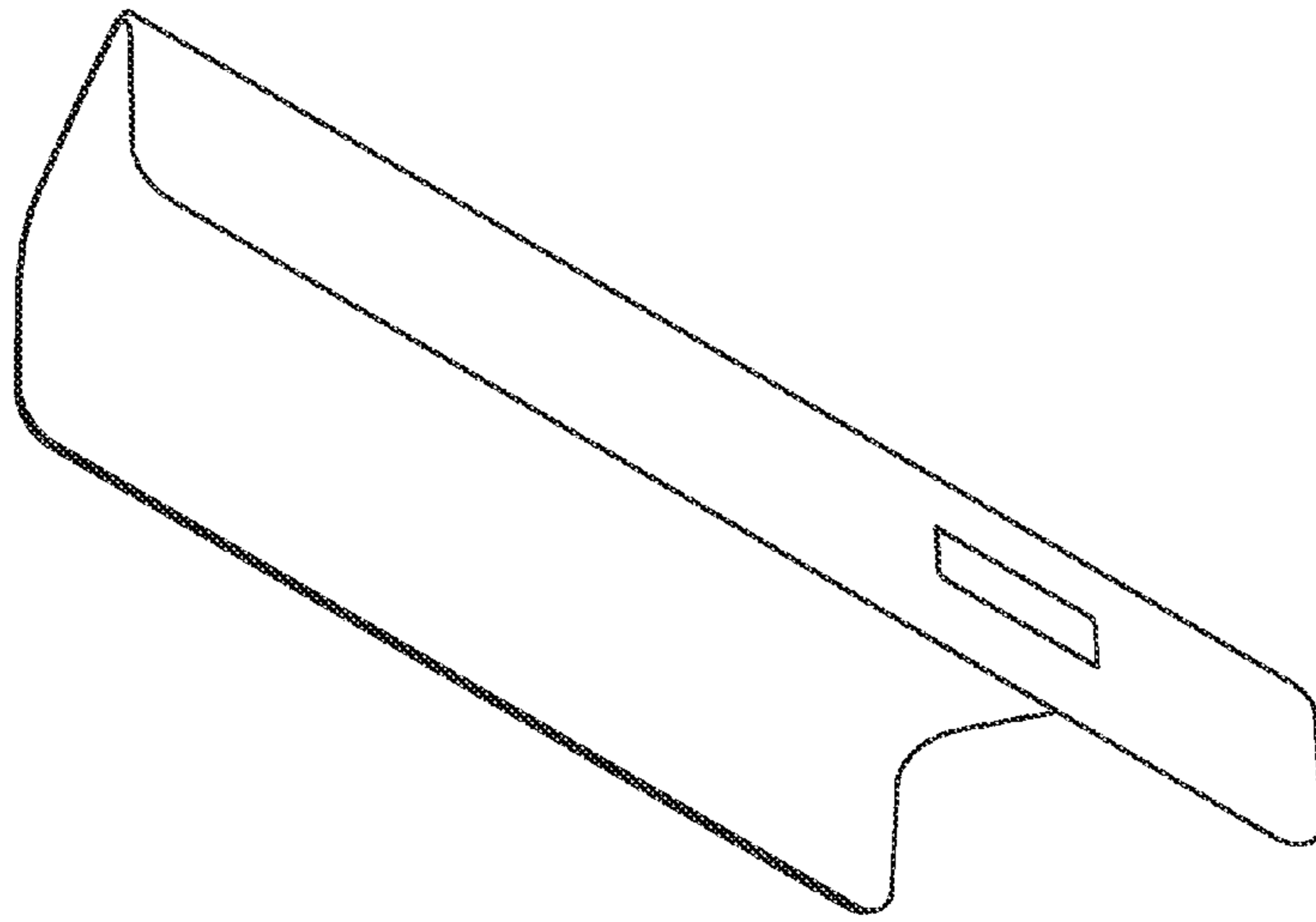


FIG. 8



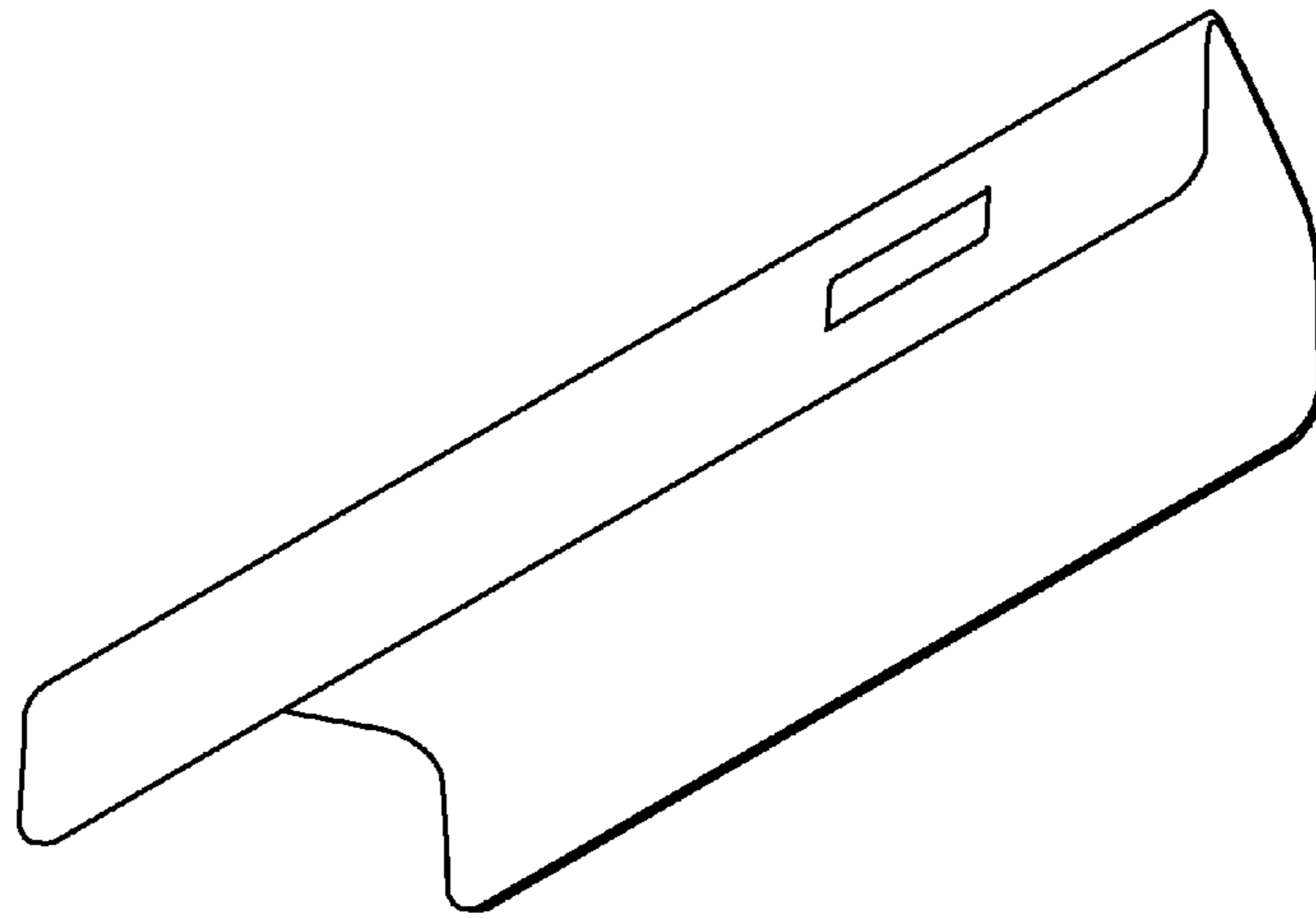


FIG. 9