



US00D673617S

(12) **United States Design Patent**
Klitsner et al.

(10) **Patent No.:** **US D673,617 S**

(45) **Date of Patent:** **** Jan. 1, 2013**

(54) **CAPTURE GAME APPARATUS**
(75) Inventors: **Dan Klitsner**, Larkspur, CA (US);
Hakan Diniz, Springfield, MA (US)

(73) Assignee: **Hasbro, Inc.**, Pawtucket, RI (US)

(**) Term: **14 Years**

(21) Appl. No.: **29/402,760**

(22) Filed: **Sep. 27, 2011**

(51) **LOC (9) Cl.** **21-01**

(52) **U.S. Cl.** **D21/324; D21/328**

(58) **Field of Classification Search** D21/324,
D21/332, 333, 328; 273/148 B; 463/1, 29-35,
463/46, 47; D14/496; 345/156-161; 446/71,
446/73, 76, 81, 408; 84/600-602
See application file for complete search history.

5,685,776 A	11/1997	Stambolic et al.	
5,743,796 A	4/1998	Orak et al.	
6,086,478 A	7/2000	Klitsner et al.	
6,210,278 B1	4/2001	Klitsner	
6,274,800 B1 *	8/2001	Gardner	84/644
7,044,857 B1	5/2006	Klitsner et al.	
D546,894 S *	7/2007	Meyer et al.	D21/328
D577,025 S *	9/2008	Ashida et al.	D14/400
D583,876 S *	12/2008	Ashida et al.	D21/333
D617,846 S *	6/2010	Matsuno et al.	D21/324
D646,725 S *	10/2011	Utsumi et al.	D21/328
D656,554 S *	3/2012	Mar	D21/329
2006/0166745 A1	7/2006	Lo	

* cited by examiner

Primary Examiner — Prabhakar Deshmukh

(74) *Attorney, Agent, or Firm* — Perry Hoffman

(57) **CLAIM**

The ornamental design for a capture game apparatus, as shown and described.

(56) **References Cited**

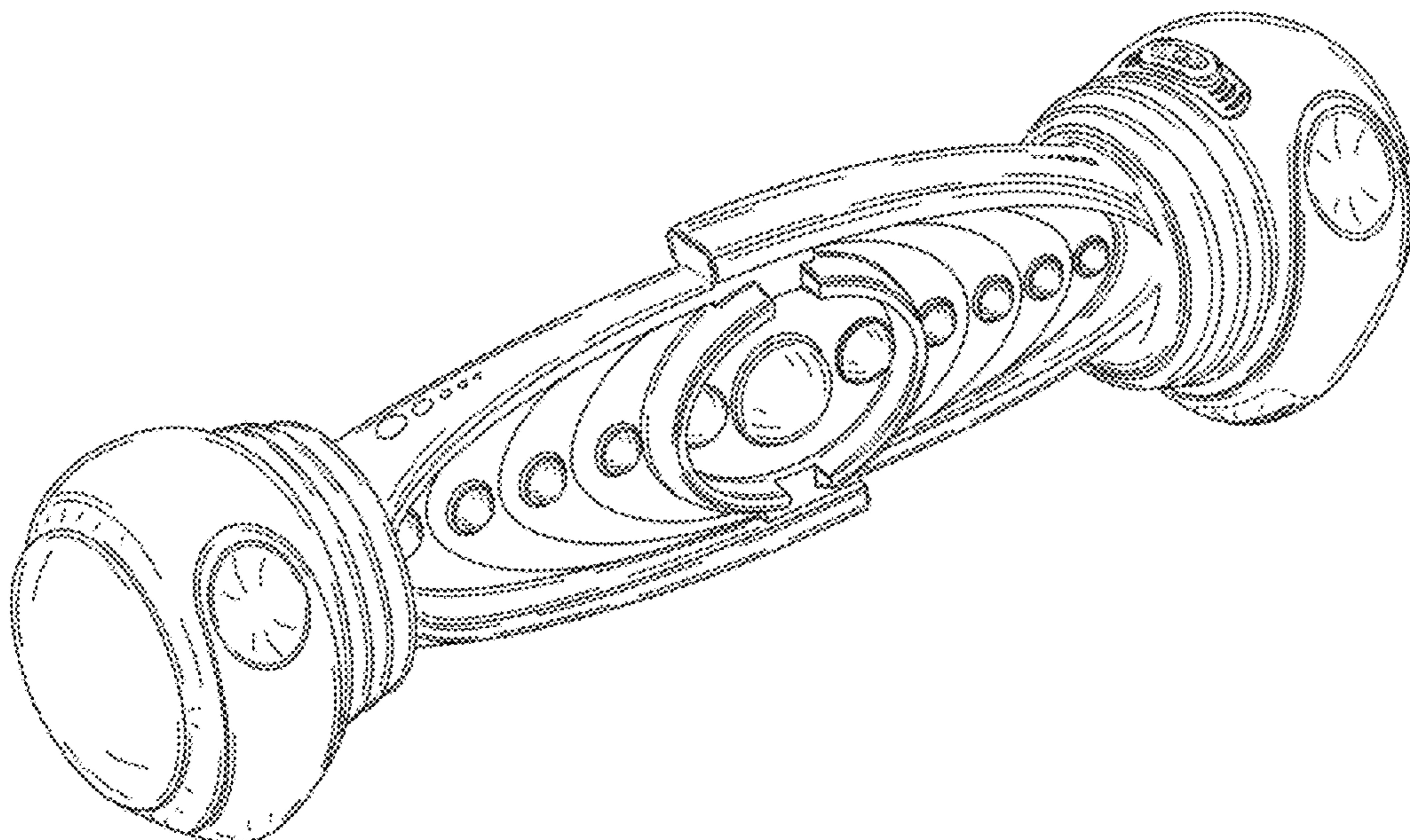
U.S. PATENT DOCUMENTS

4,207,087 A	6/1980	Morrison et al.	
4,261,563 A	4/1981	Goldfarb	
4,285,517 A	8/1981	Morrison	
4,298,198 A	11/1981	Huang et al.	
D263,156 S *	2/1982	Ishikawa	D21/324
4,322,073 A	3/1982	Slavik et al.	
4,326,710 A	4/1982	Breslow et al.	
4,339,135 A	7/1982	Breslow et al.	
4,913,432 A	4/1990	Barra	
4,969,647 A *	11/1990	Mical et al.	463/31
5,060,941 A	10/1991	Barra	
5,207,426 A *	5/1993	Inoue et al.	463/36
5,405,153 A *	4/1995	Hauck	273/460
5,540,608 A *	7/1996	Goldfarb	446/15

DESCRIPTION

FIG. 1 is a perspective view of the capture game apparatus of the instant invention;
FIG. 2 is a front elevational view thereof;
FIG. 3 is a rear elevational view thereof;
FIG. 4 is a right side view thereof;
FIG. 5 is a left side view thereof;
FIG. 6 is a top view thereof; and,
FIG. 7 is a bottom view thereof.
The broken lines shown are included for the purpose of illustrating the unclaimed portions of the article and form no part of the claimed design.

1 Claim, 4 Drawing Sheets



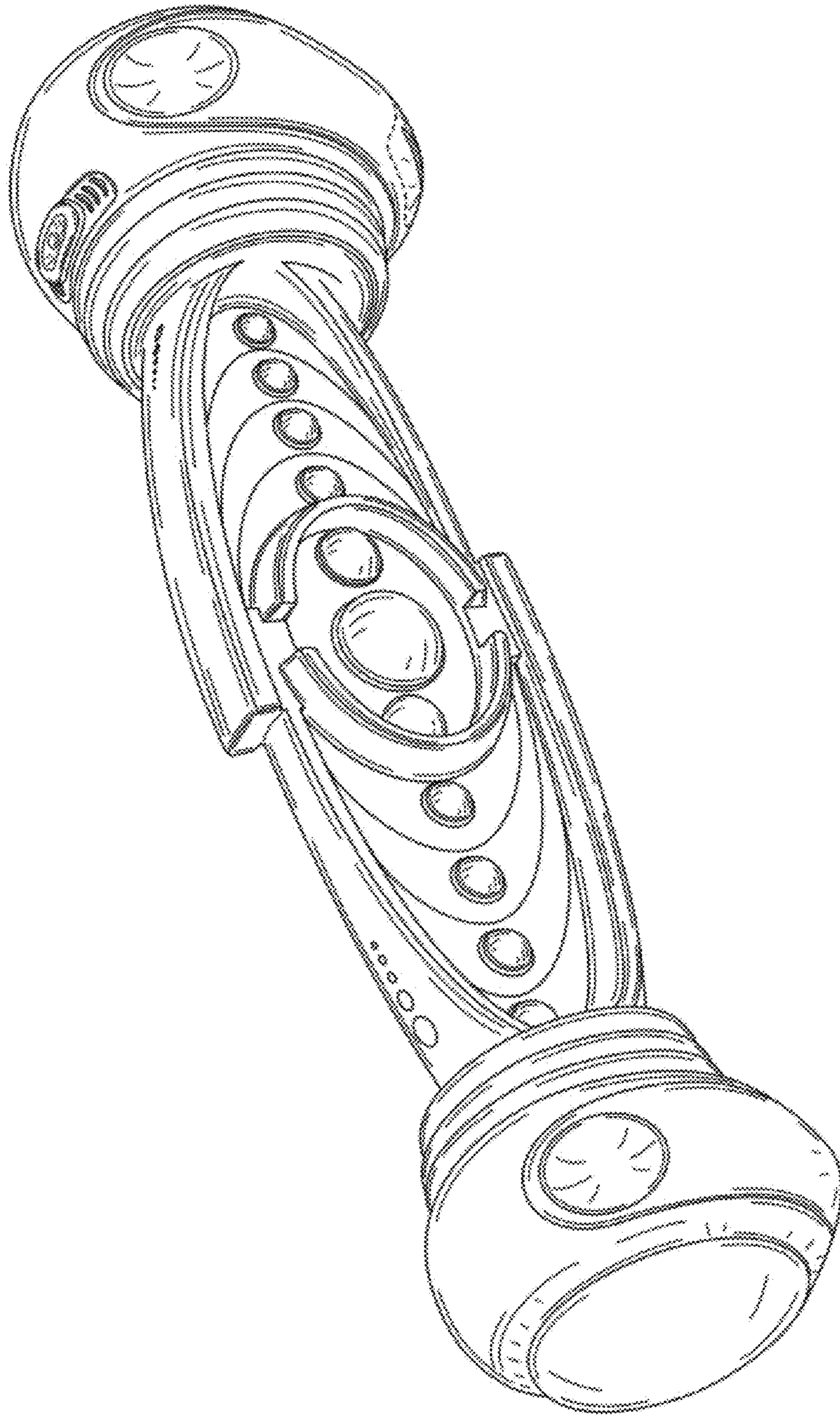


FIG. 1

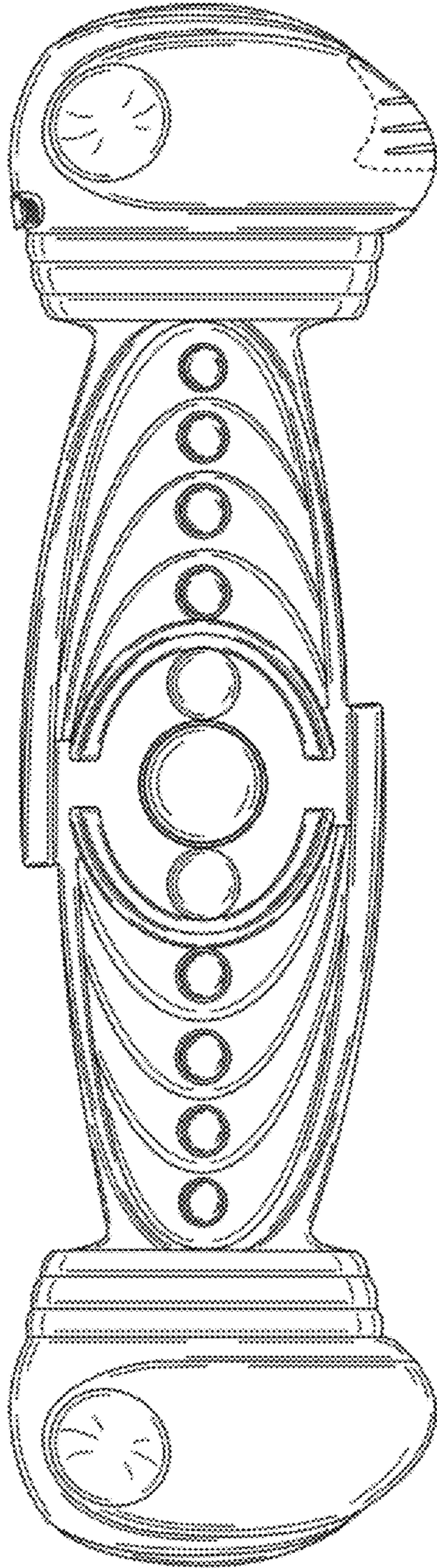


FIG. 2

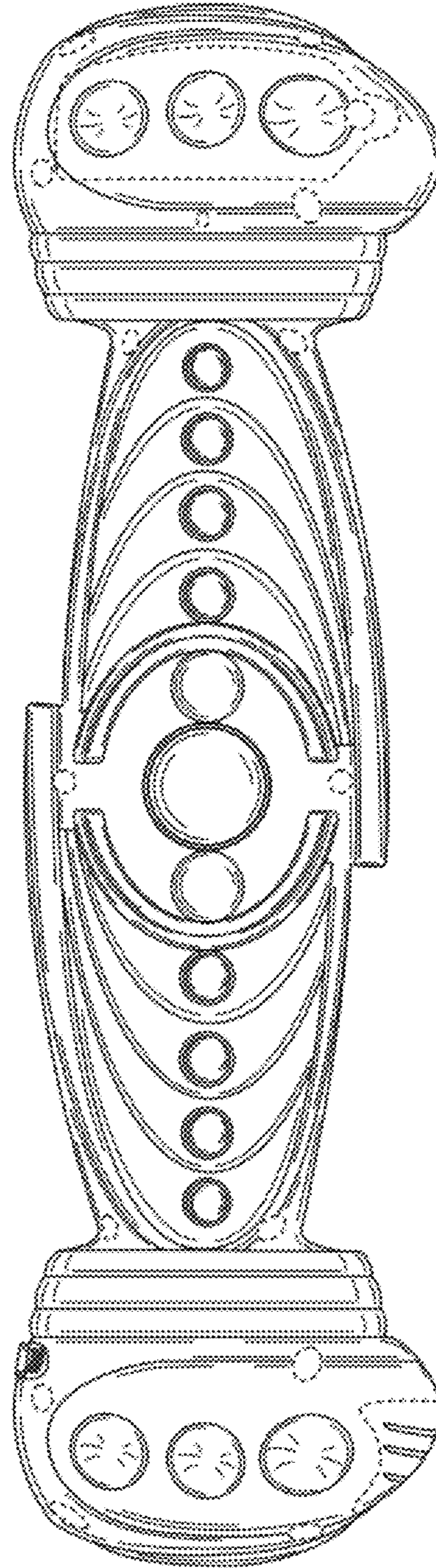


FIG. 3

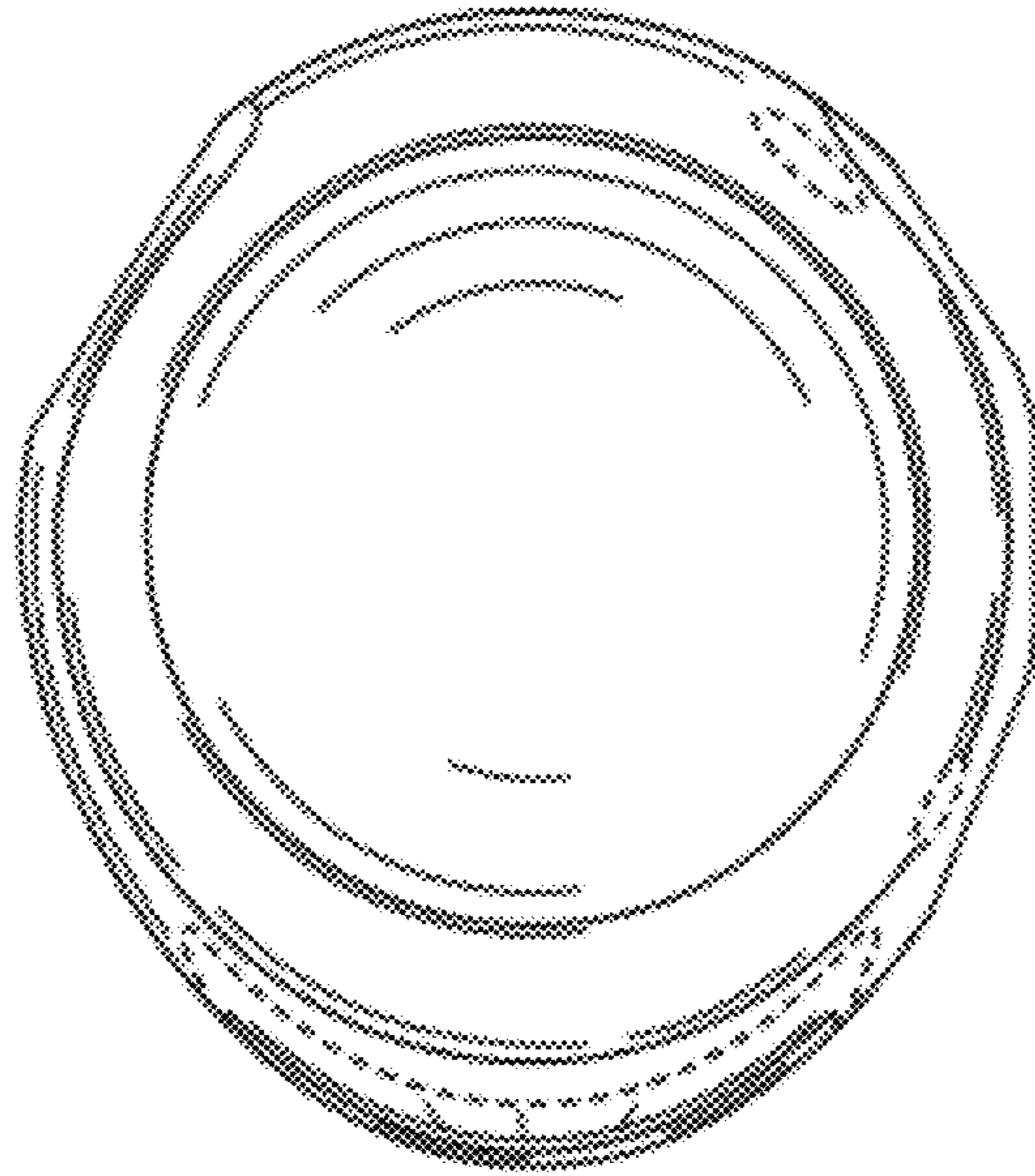


FIG. 4

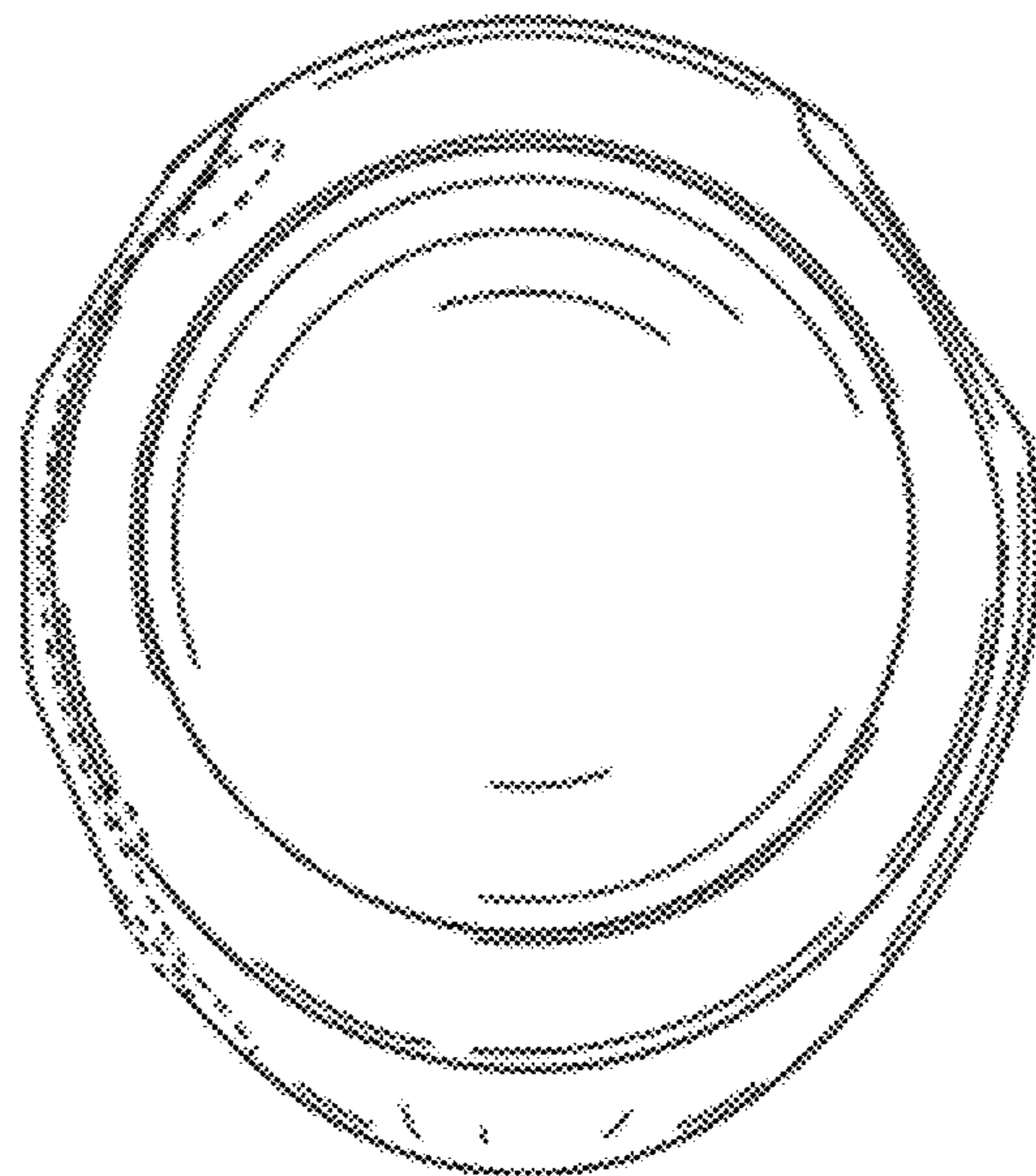


FIG. 5

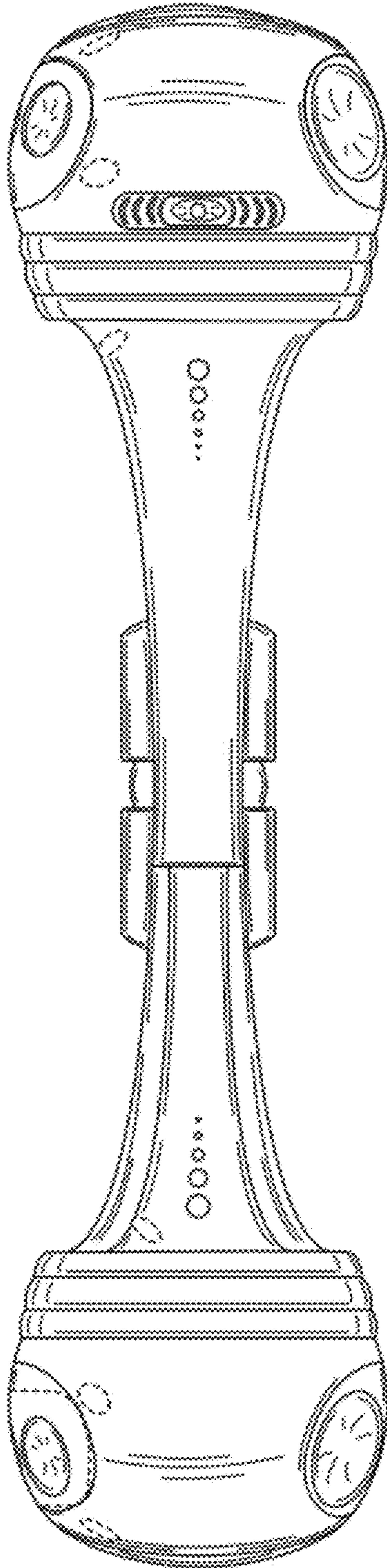


FIG. 6

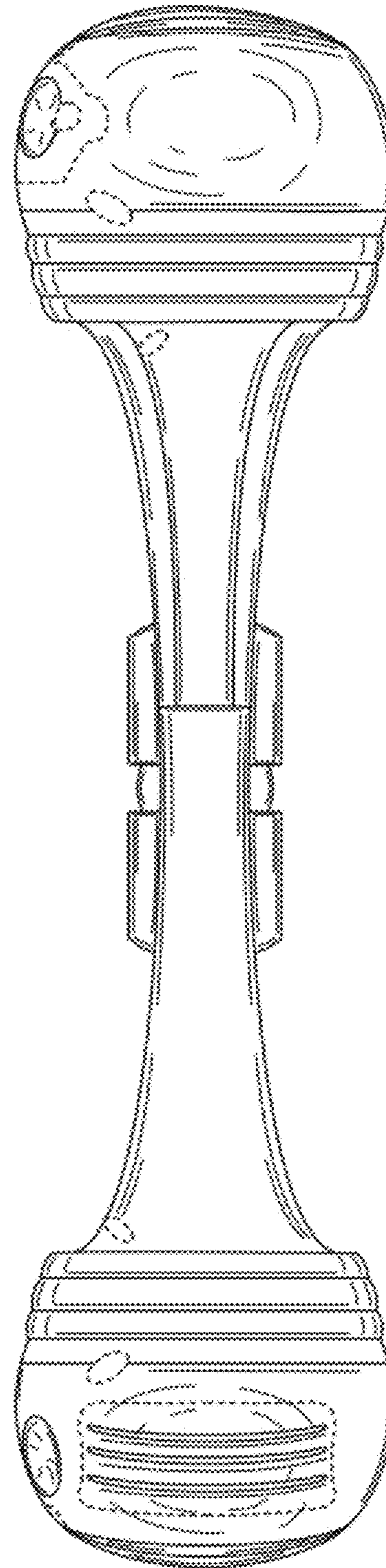


FIG. 7