



US00D673611S

(12) **United States Design Patent**  
**He**

(10) **Patent No.:** **US D673,611 S**  
(45) **Date of Patent:** **\*\* Jan. 1, 2013**

(54) **PENCIL SHARPENER**

(75) Inventor: **Ren Wei He**, New Taipei (TW)

(73) Assignee: **Kikkerland Design, Inc.**, New York, NY (US)

(\*\*) Term: **14 Years**

(21) Appl. No.: **29/400,690**

(22) Filed: **Aug. 31, 2011**

(51) **LOC (9) Cl.** ..... **19-06**

(52) **U.S. Cl.** ..... **D19/73**

(58) **Field of Classification Search** ..... D8/91,  
D8/98; D19/72-74; 30/451-462; 144/28.1,  
144/28.11, 28.2-28.7, 28.72, 28.8, 28.9;  
D21/577, 587, 588, 589, 594, 621  
See application file for complete search history.

(56) **References Cited**

U.S. PATENT DOCUMENTS

3,980,113	A *	9/1976	Birdsall	.....	144/28.6
4,755,074	A *	7/1988	Roberts	.....	401/52
D353,171	S *	12/1994	Favre	.....	D21/631
D412,344	S *	7/1999	Clark	.....	D19/73
D553,193	S *	10/2007	Parrish et al.	.....	D19/73
D578,170	S *	10/2008	Chiang et al.	.....	D21/578

\* cited by examiner

*Primary Examiner* — Elizabeth Albert

(74) *Attorney, Agent, or Firm* — Cascio & Zervas

(57) **CLAIM**

The ornamental design for a pencil sharpener, as shown and described.

**DESCRIPTION**

FIG. 1 is a front elevational view of the pencil sharpener showing my design;

FIG. 2 is a rear elevational view thereof;

FIG. 3 is a right side elevational view thereof;

FIG. 4 is a left side elevational view thereof;

FIG. 5 is a top plan view thereof;

FIG. 6 is a bottom plan view thereof;

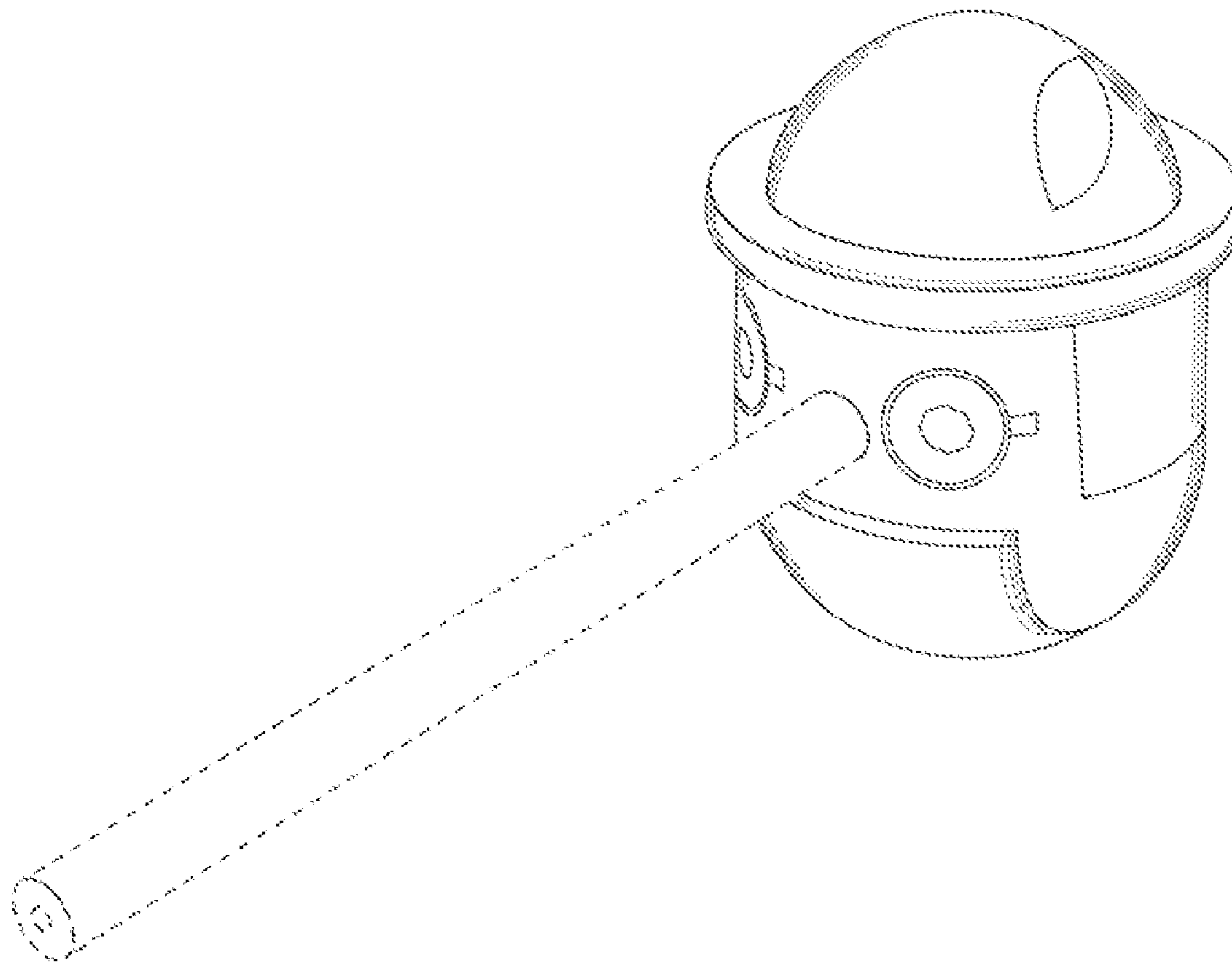
FIG. 7 is a front perspective view thereof;

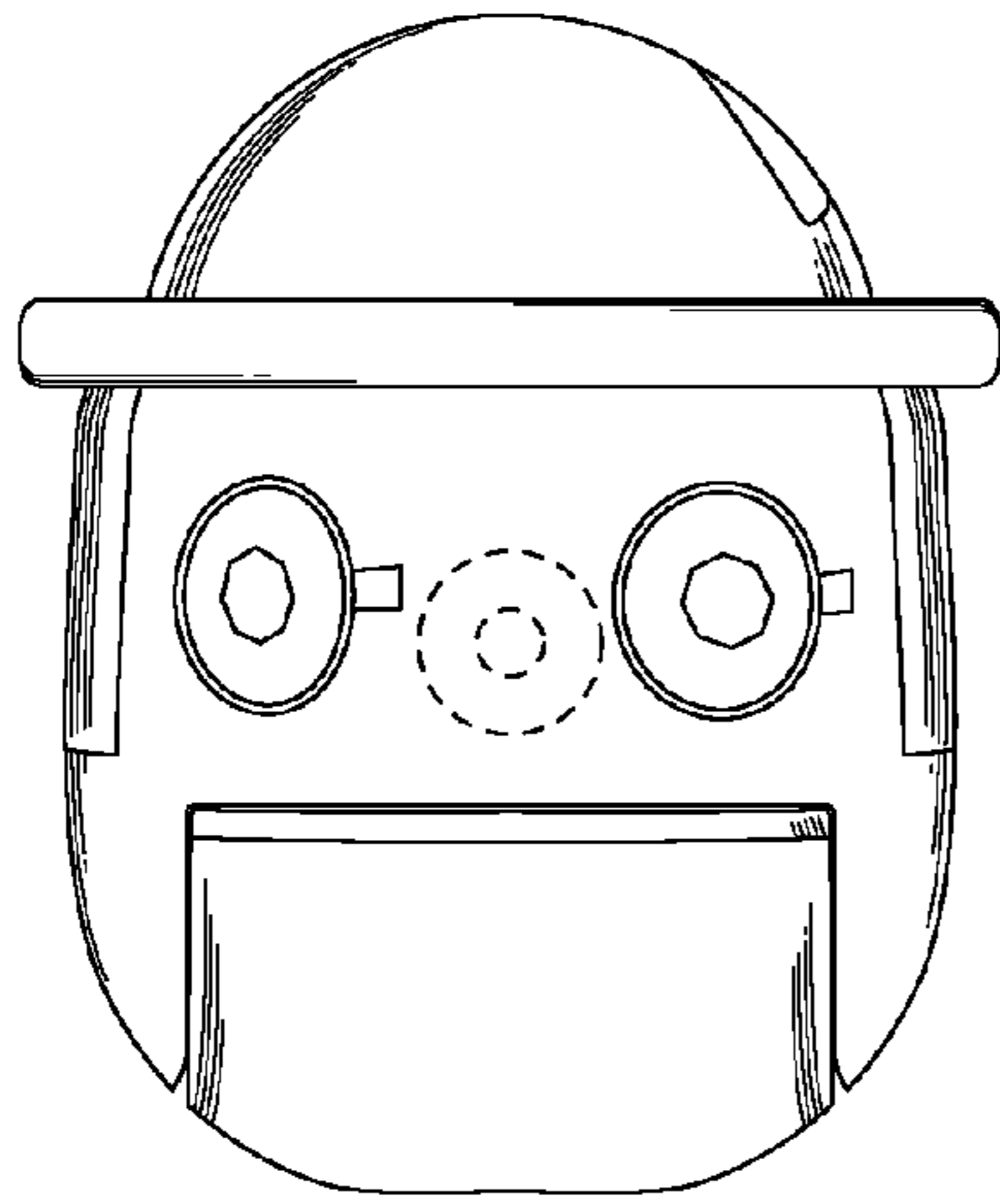
FIG. 8 is a front perspective view thereof illustrating the pencil and lower cover being separated from the top compartment; and,

FIG. 9 is a bottom plan view thereof with the lower cover removed for ease of illustration.

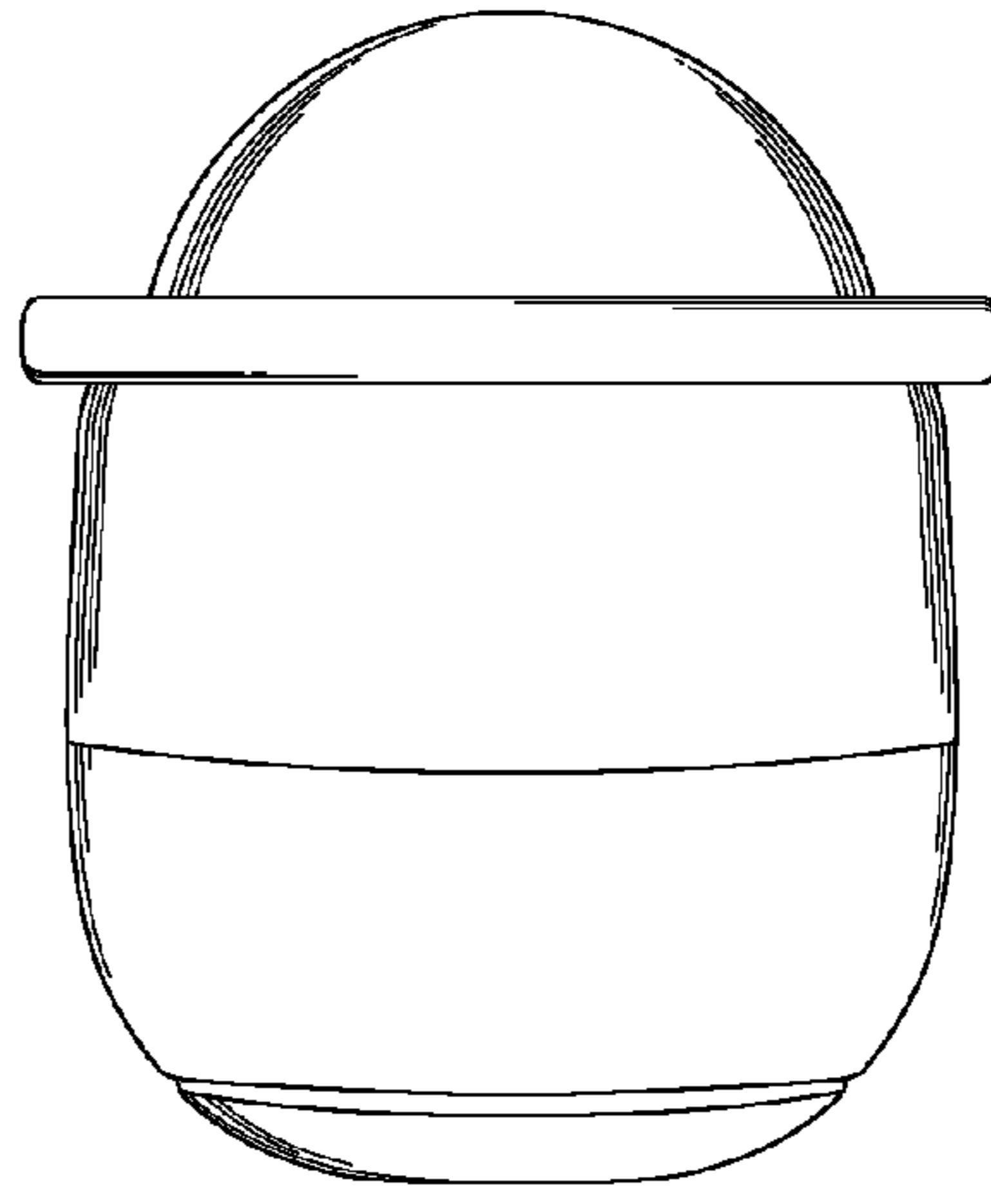
The broken lines in FIGS. 1 and 3 through 9 showing the pencil and in FIG. 9 showing the blade and surface of the inside of the top are included for the purpose of showing portions that form no part of the claimed design.

**1 Claim, 3 Drawing Sheets**

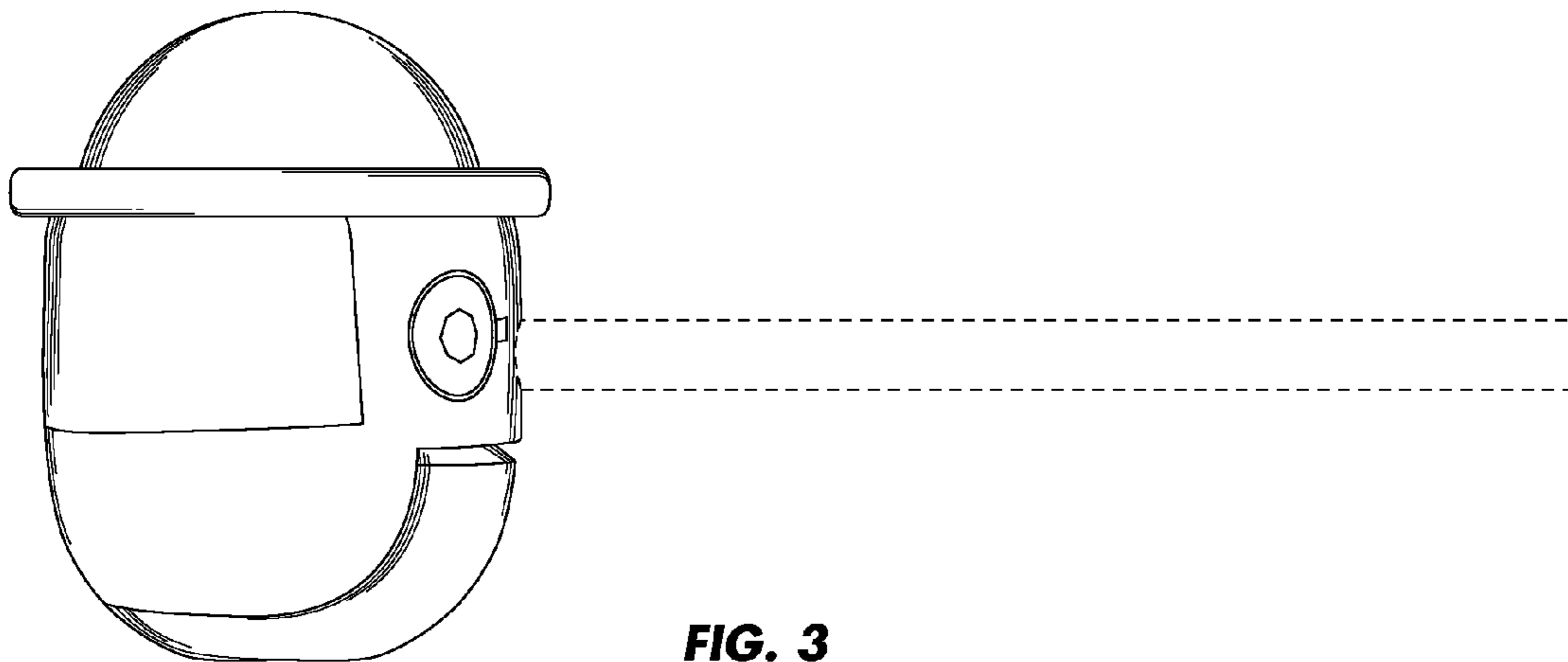




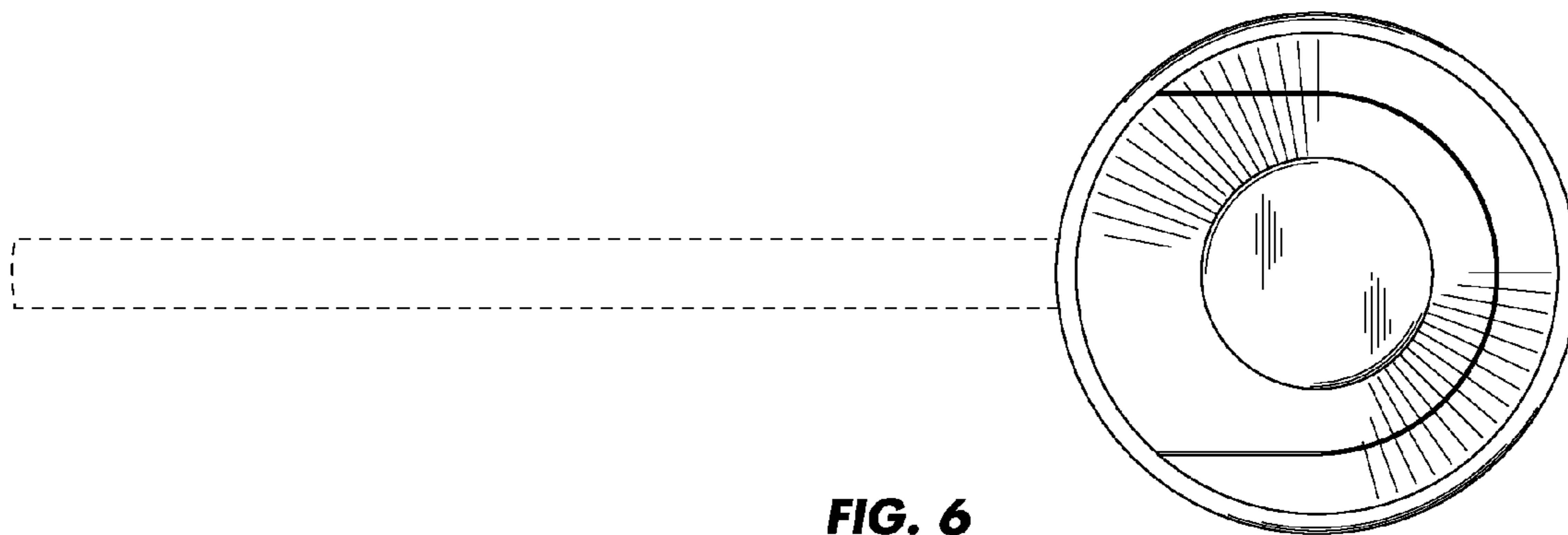
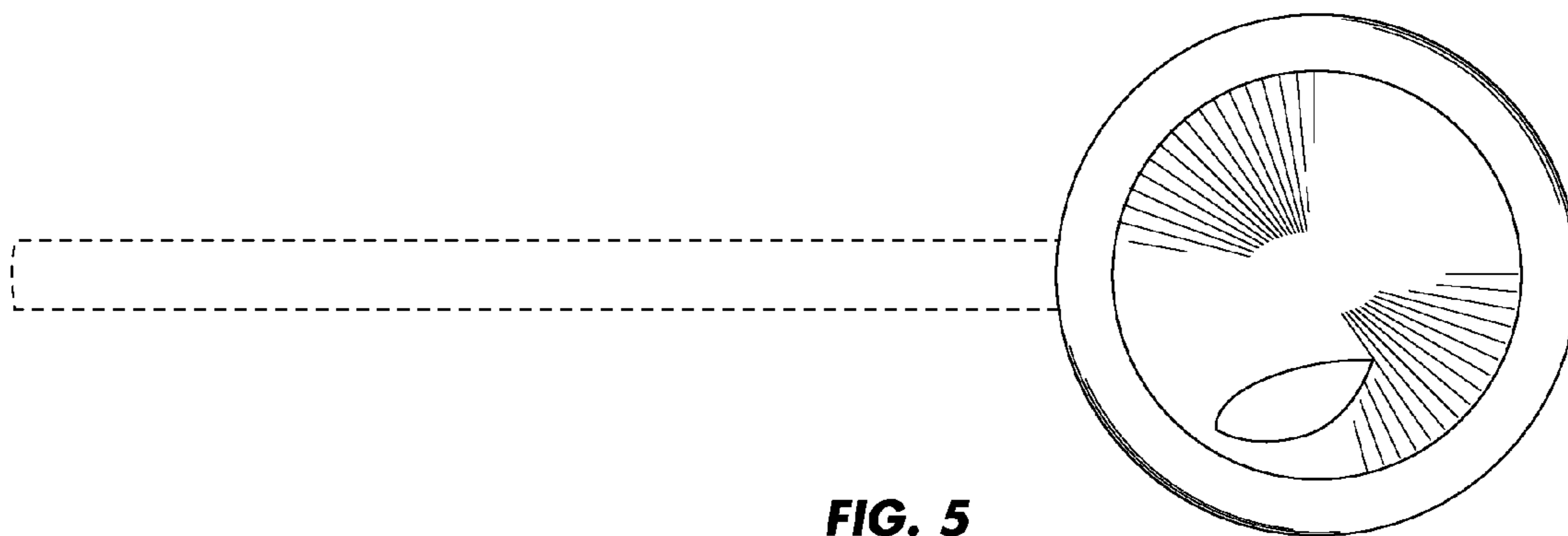
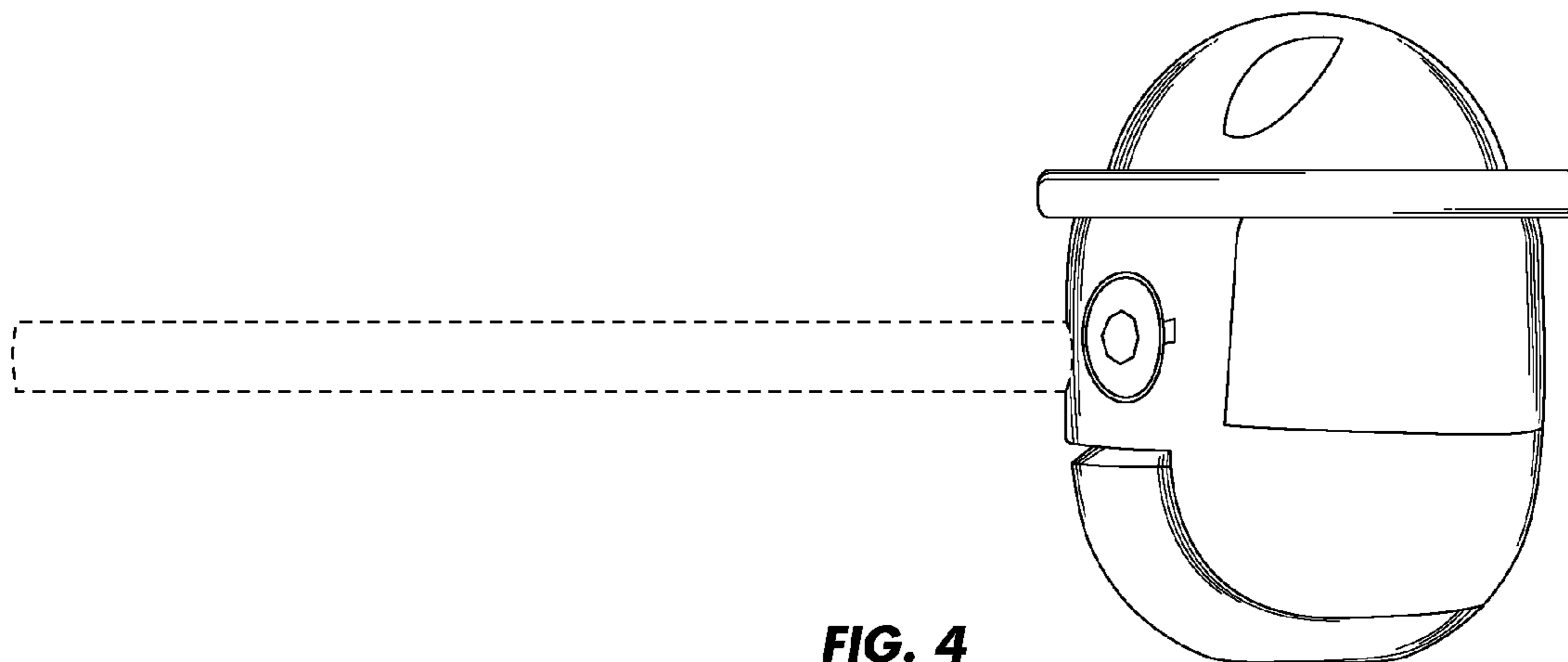
**FIG. 1**



**FIG. 2**



**FIG. 3**



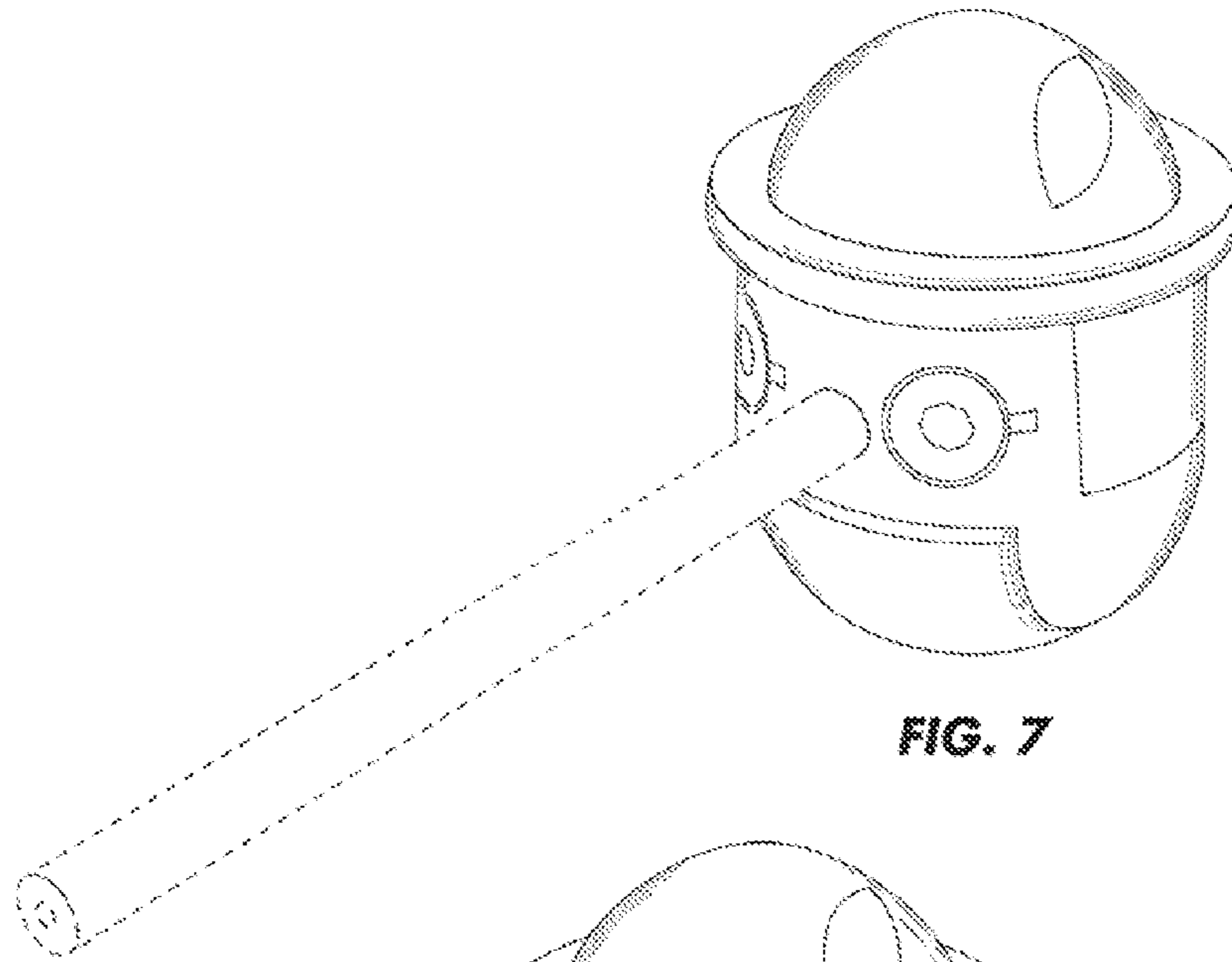


FIG. 7

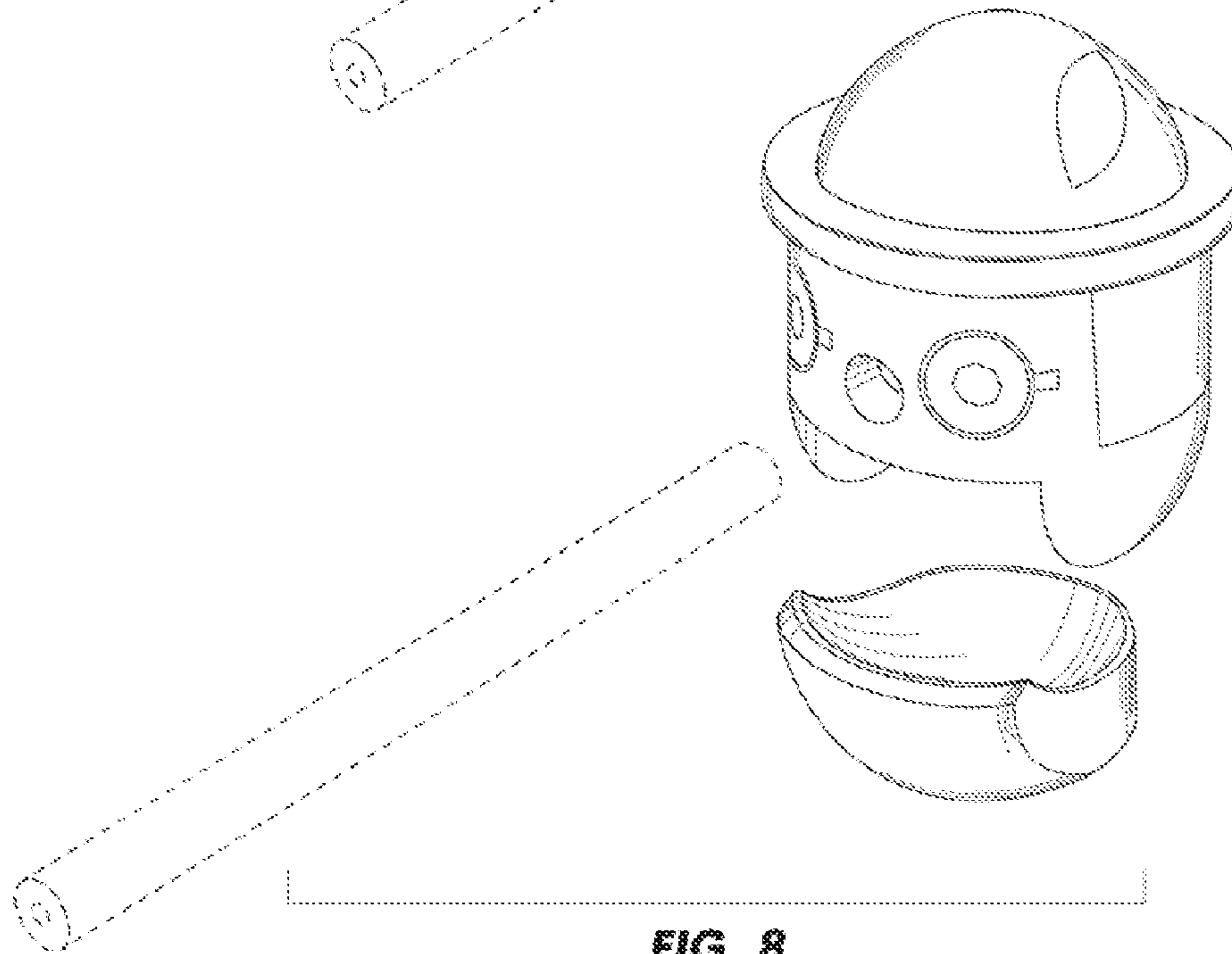


FIG. 8

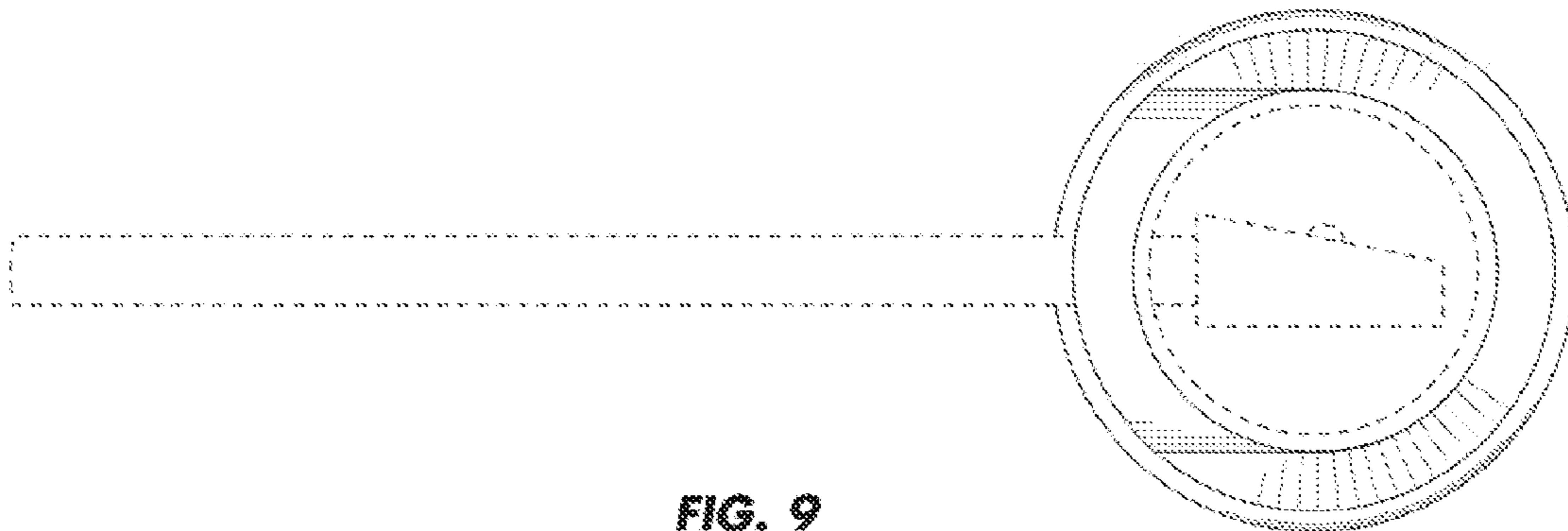


FIG. 9