



US00D673608S

(12) **United States Design Patent**
Duffy, Jr.

(10) **Patent No.:** **US D673,608 S**
(45) **Date of Patent:** **** Jan. 1, 2013**

- (54) **BUSINESS CARD PACKAGE**
- (75) Inventor: **William N. Duffy, Jr.**, Westwood, MA (US)
- (73) Assignee: **The Regal Press Incorporated**, Norwood, MA (US)
- (**) Term: **14 Years**
- (21) Appl. No.: **29/414,964**
- (22) Filed: **Mar. 6, 2012**
- (51) **LOC (9) Cl.** **19-04**
- (52) **U.S. Cl.** **D19/26**
- (58) **Field of Classification Search** D19/22, D19/26-27, 78, 86; D3/201, 247, 249, 273-274; D9/423; 281/22, 27.3, 29, 31, 38; 24/67.1, 24/67 R; 206/39, 104, 106, 457, 527; 402/3, 402/4, 19, 31
See application file for complete search history.

D312,532 S *	12/1990	Prey	D3/247
D404,565 S *	1/1999	Ichihara et al.	D3/247
D551,292 S *	9/2007	Panoke	D19/26
7,380,666 B1 *	6/2008	Buckelew	206/527
D592,047 S *	5/2009	Glass	D9/423

* cited by examiner

Primary Examiner — T. Chase Nelson

Assistant Examiner — Kathleen M Sims

(74) *Attorney, Agent, or Firm* — Cesari and McKenna, LLP; John F. McKenna

(57) **CLAIM**

The ornamental design for a business card package, as shown and described.

DESCRIPTION

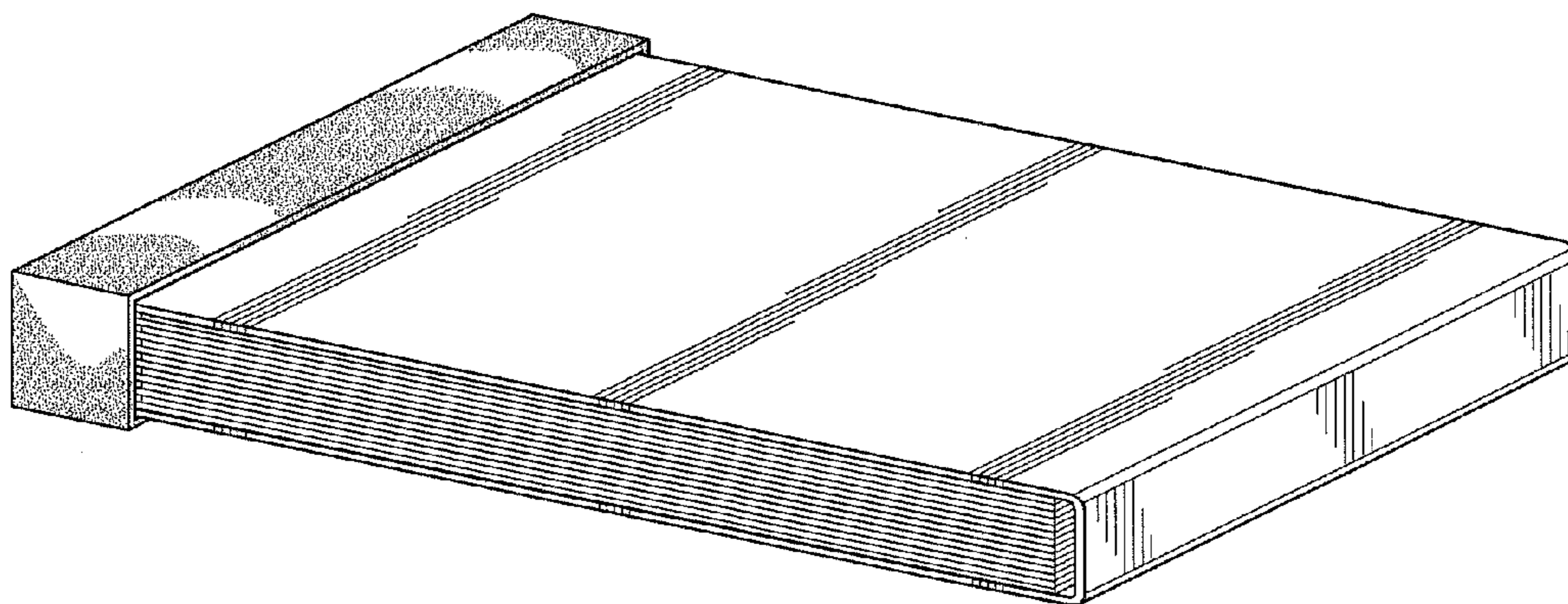
FIG. 1 is a perspective view from above of a business card package showing the new design, the package cover being in its closed position;
 FIG. 2 is a left side elevational view thereof, the right side being a mirror image of the left side;
 FIG. 3 is an upper end elevational view thereof;
 FIG. 4 is a lower end elevational view thereof;
 FIG. 5 is a top plan view thereof;
 FIG. 6 is a bottom plan view thereof; and,
 FIG. 7 is a view similar to FIG. 1 showing the package with its cover in the open position.
 The dashed lines shown on the sides of FIGS. 1 and 2 and on the top of FIG. 7 of the business card package represents perforated tear lines.
 The stippling indicates a contrasting color.

1 Claim, 4 Drawing Sheets

(56) **References Cited**

U.S. PATENT DOCUMENTS

1,079,960 A *	12/1913	Tollstam	24/67.1
1,255,751 A *	2/1918	Hunter	24/67.1
1,846,172 A *	2/1932	Wiggins et al.	24/67.1
1,955,633 A *	4/1934	Hill	206/39
2,851,754 A *	9/1958	Ecker	24/67 R
3,749,301 A *	7/1973	Peckar	229/125.37
3,958,689 A *	5/1976	Roth	206/104
D245,458 S *	8/1977	Hauss et al.	D3/247
4,053,048 A *	10/1977	Cohn	206/106
4,221,289 A *	9/1980	Lodrick	206/98



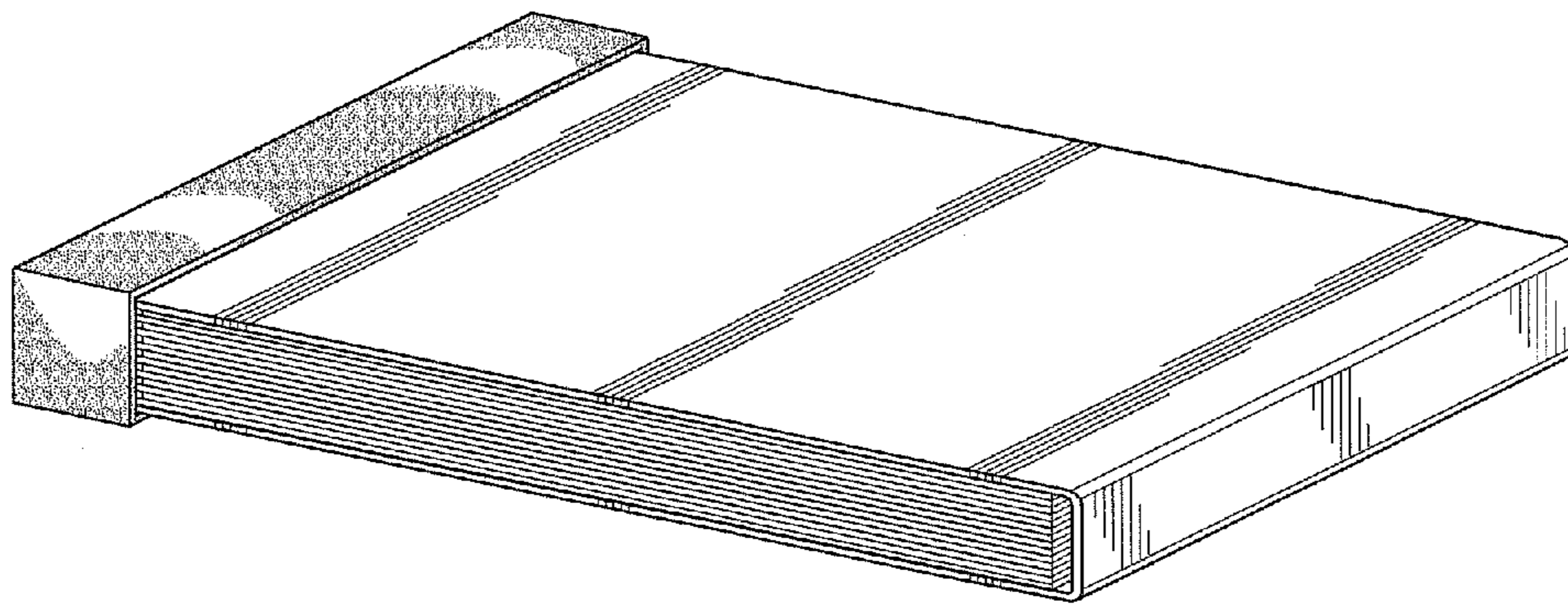


FIG. 1

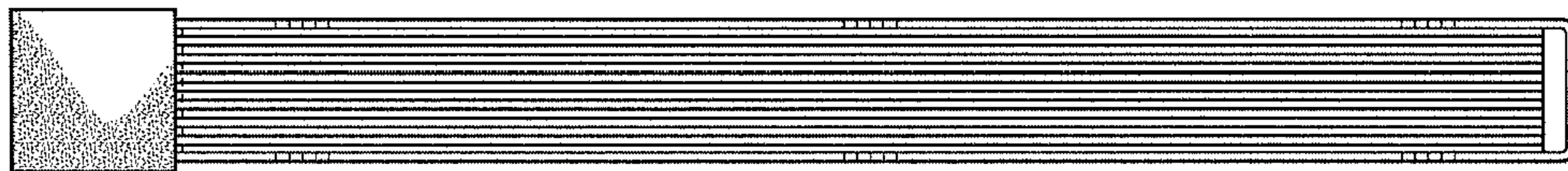


FIG. 2

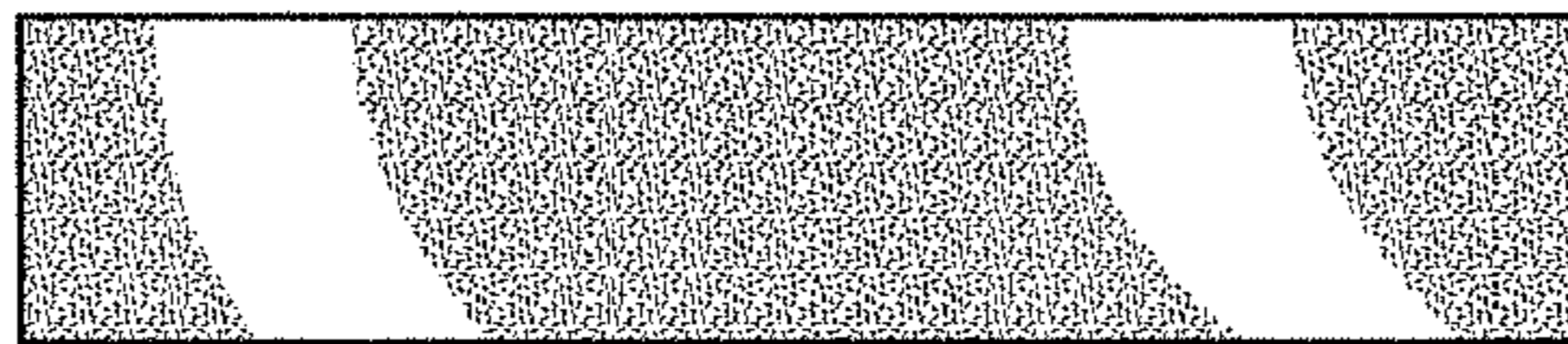


FIG. 3

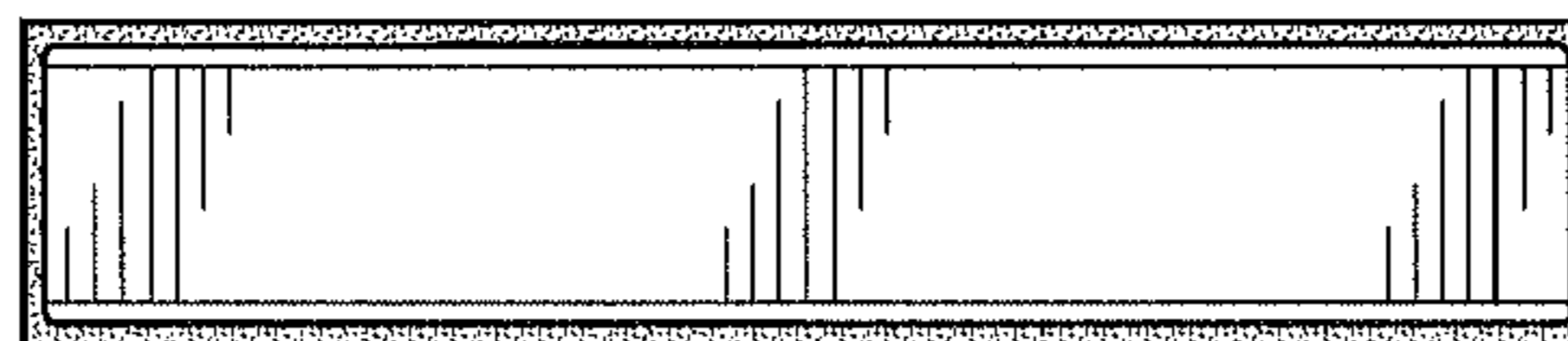


FIG. 4

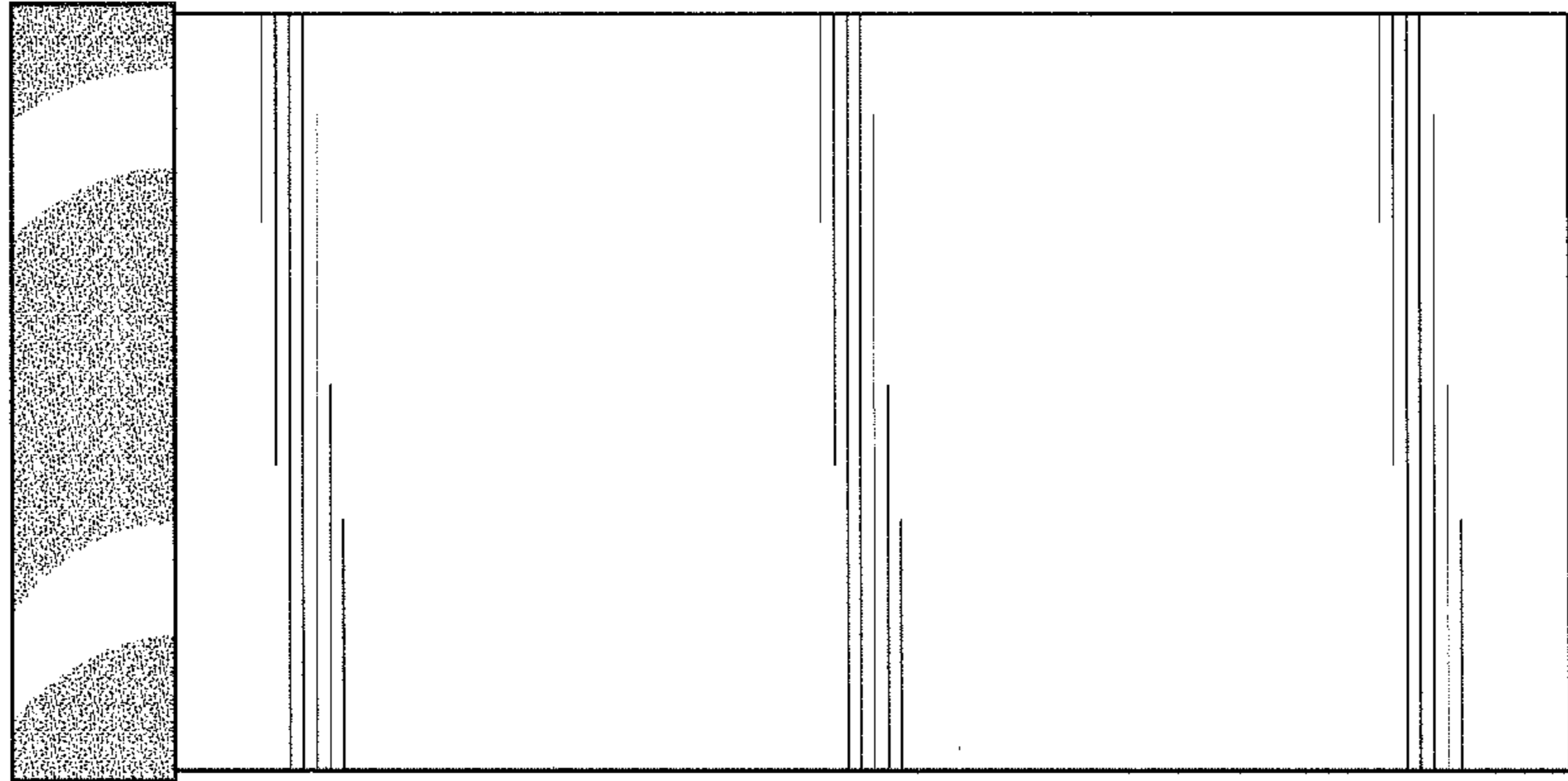


FIG. 5

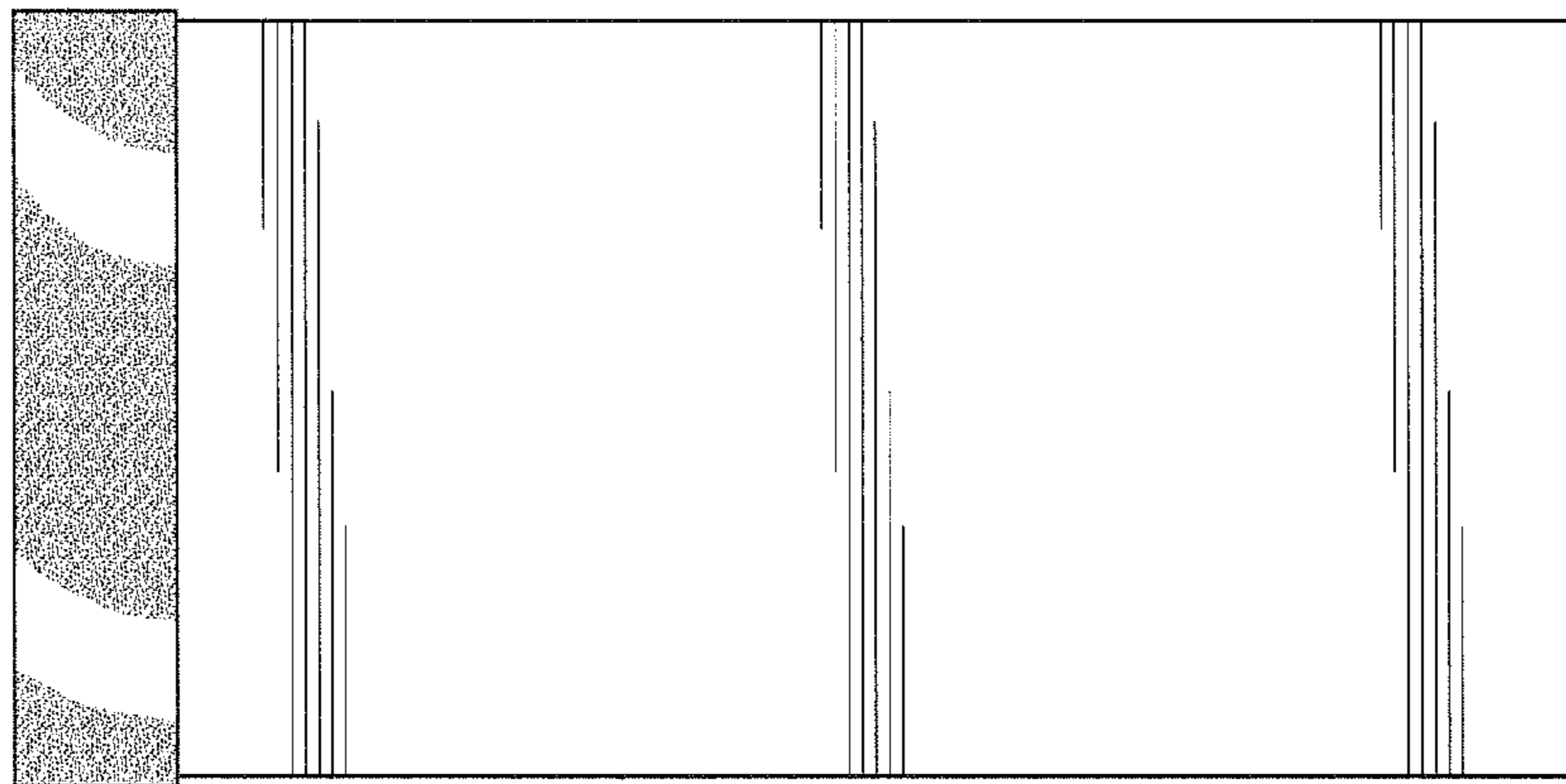


FIG. 6

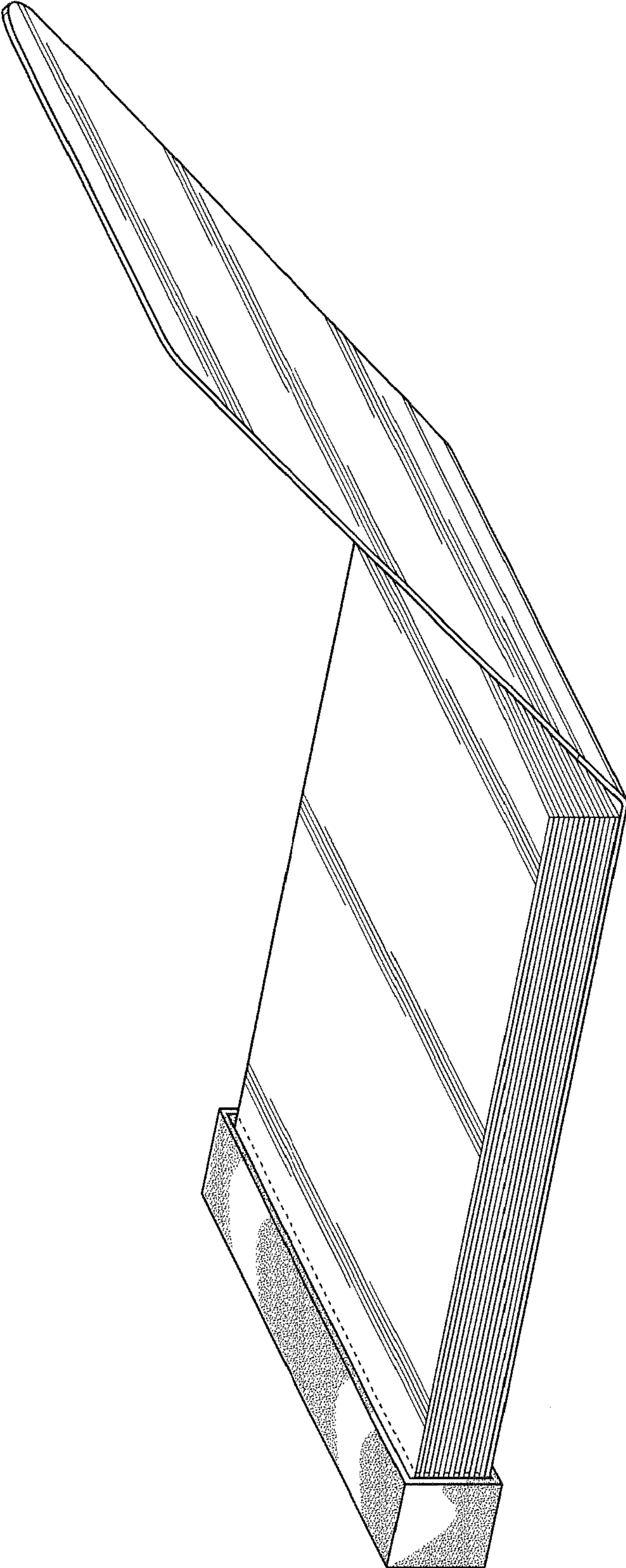


FIG. 7