



US00D673607S

(12) **United States Design Patent**  
**Sato et al.**

(10) **Patent No.:** **US D673,607 S**  
(45) **Date of Patent:** **\*\* \*Jan. 1, 2013**

- (54) **POCKET**
- (75) Inventors: **Jay K. Sato**, Mission Viejo, CA (US);  
**Susan L. Broyles**, Sierra Madre, CA (US);  
**Eric Kim**, Irvine, CA (US);  
**Darren Ferris**, La Habra Heights, CA (US)
- (73) Assignee: **Avery Dennison Corporation**,  
Pasadena, CA (US)
- (\*) Notice: This patent is subject to a terminal disclaimer.
- (\*\*) Term: **14 Years**
- (21) Appl. No.: **29/379,654**
- (22) Filed: **Nov. 22, 2010**

**Related U.S. Application Data**

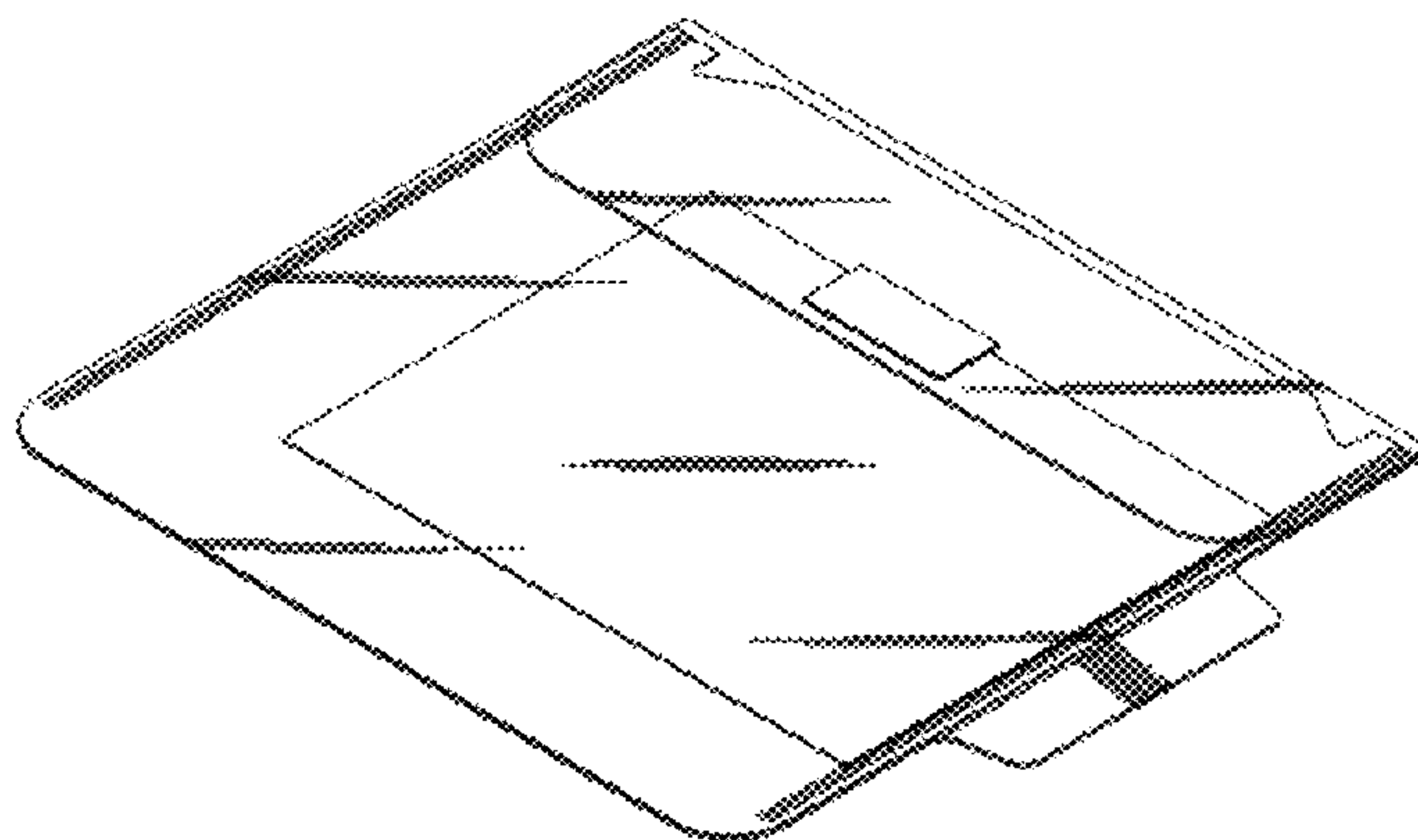
- (63) Continuation-in-part of application No. 29/353,492, filed on Jan. 8, 2010, now abandoned.
- (51) **LOC (9) Cl.** ..... **19-04**
- (52) **U.S. Cl.** ..... **D19/26**
- (58) **Field of Classification Search** ..... D19/26-33,  
D19/86, 88, 75, 78; 281/29, 31, 38, 15.1;  
229/67.1, 67.3, 72, 68; 206/308.3, 312; D3/227,  
D3/230, 303; 283/81; 402/79  
See application file for complete search history.

(56) **References Cited**

**U.S. PATENT DOCUMENTS**

3,142,437	A *	7/1964	Grant et al.	229/67.1
D202,940	S *	11/1965	Bloom	D19/86
3,459,361	A	8/1969	Matton	
3,540,646	A *	11/1970	Kizler	229/72
D243,846	S *	3/1977	Watson	D19/3
4,388,958	A *	6/1983	Dworkin	229/72
D286,463	S	11/1986	Sfikas	
D291,985	S *	9/1987	Cornwell	D12/192
D299,888	S *	2/1989	Maxwell	D6/407
D304,261	S *	10/1989	Cheung	D6/407
D312,476	S	11/1990	Westendorff	
D312,656	S	12/1990	Huber	

5,011,189	A	4/1991	Olson	
5,031,772	A	7/1991	Woodriff	
5,056,824	A	10/1991	Olson	
5,060,847	A	10/1991	Angus	
5,062,530	A *	11/1991	Mitsuyama	206/425
5,141,485	A	8/1992	Welt	
5,249,827	A	10/1993	Olson	
D344,015	S *	2/1994	Jacobson	D9/707
D352,733	S *	11/1994	French et al.	D19/32
5,366,776	A	11/1994	Mertens	
5,417,509	A	5/1995	Schwartz	
D363,083	S	10/1995	Thompson, III et al.	
5,513,457	A	5/1996	Byrnes et al.	
D379,370	S *	5/1997	Lee	D19/33
D381,690	S *	7/1997	Anderson et al.	D19/90
5,647,482	A	7/1997	Kleinfelder	
5,662,217	A	9/1997	Durr	
5,911,442	A	6/1999	Olson	
D415,195	S *	10/1999	Kinkel et al.	D19/3
6,220,504	B1	4/2001	Flynn et al.	
6,220,505	B1	4/2001	Flynn et al.	
6,279,817	B1	8/2001	Flynn et al.	
6,352,198	B1	3/2002	Flynn et al.	
6,357,651	B1	3/2002	Flynn et al.	
6,364,198	B1	4/2002	Flynn et al.	
6,367,689	B1	4/2002	Flynn et al.	
6,375,065	B1	4/2002	Flynn et al.	
6,398,024	B2	6/2002	Koehn	
6,415,976	B1	7/2002	Flynn et al.	
6,425,519	B1	7/2002	Flynn et al.	
6,427,905	B1	8/2002	Flynn et al.	
6,488,999	B1	12/2002	Flynn et al.	
6,499,652	B1	12/2002	Flynn et al.	
6,523,737	B1	2/2003	Flynn et al.	
6,681,928	B1	1/2004	Siek et al.	
D490,636	S *	6/2004	Bergh et al.	D6/626
D491,407	S *	6/2004	Martinetti	D6/626
6,796,428	B1 *	9/2004	Ong	206/425
6,845,864	B2	1/2005	Taw et al.	
6,967,046	B2	11/2005	Bollinger et al.	
7,040,051	B2	5/2006	Windorski	
D522,575	S	6/2006	Smith	
D522,576	S	6/2006	Smith	
7,108,169	B2	9/2006	Balzer	
7,140,135	B2	11/2006	Irvine et al.	
7,225,570	B2	6/2007	Windorski	
D546,705	S *	7/2007	Suzuki	D9/707
7,237,710	B1	7/2007	Ong	
D567,286	S	4/2008	Takahashi	
D577,768	S	9/2008	Takahashi	
D601,189	S *	9/2009	Riesterer et al.	D19/26
D601,264	S	9/2009	Patterson et al.	
D602,524	S	10/2009	Wong et al.	





D608,390	S	1/2010	Wong et al.	
D608,391	S	1/2010	Wong et al.	
D638,215	S *	5/2011	Kellington .....	D3/203.1
8,141,907	B2 *	3/2012	Seiffarth .....	281/31
D661,996	S *	6/2012	Hollyman .....	D9/702
2001/0050238	A1 *	12/2001	Senior .....	206/308.1
2003/0010815	A1	1/2003	Balzer	
2003/0039786	A1	2/2003	Milliorn et al.	
2004/0058114	A1	3/2004	Koch	
2004/0149603	A1	8/2004	Hodsdon	
2004/0247812	A1	12/2004	Milliorn et al.	
2006/0057324	A1	3/2006	Phillips et al.	
2006/0124237	A1	6/2006	Nordin et al.	
2009/0110863	A1	4/2009	Dangami	

FOREIGN PATENT DOCUMENTS

EP	1058665	12/2000
GB	2335410	9/1999
GB	2397290	7/2004
WO	02-055396	7/2002
WO	02-070359	9/2002
WO	2005-035269	4/2005

OTHER PUBLICATIONS

Filing Pocket; from: <https://www.totalofficesupplies.co.uk/catalog/31-filing-pockets-polypropylene-full-size-selfadhesive-a5-clear-ref-10085-pack-10-p9616.html>.

Self-Adhesive Pocket; from: <http://www.duraweld.co.uk/products-ranges.asp?ID=4>.

Office action dated May 6, 2010 from corresponding Canadian Application No. 134174.

Response dated Sep. 2, 2010 from corresponding Canadian Application No. 134174.

Office Action dated Jun. 8, 2011 from related Canadian Application No. 140709.

Response dated Sep. 22, 2011 from related Canadian Application No. 140709.

Office Action dated Jun. 22, 2012 from related Canadian Application No. 140709.

Notice of Allowance dated Nov. 25, 2010 from related Mexican Application No. MX/f?2010/000505.

Aug. 26, 2010—Notice of Allowance.

Nov. 3, 2010—Notice of Allowance.

Nov. 22, 2010—RCE.

Dec. 9, 2010—Notice of Allowance.

Jan. 5, 2011—Notice of Abandonment.

Feb. 15, 2011—CPA.

May 11, 2011—CPA.

Oct. 19, 2011—Notice of Allowance.

Jan. 27, 2012—Notice of Allowance.

\* cited by examiner

*Primary Examiner* — T. Chase Nelson

*Assistant Examiner* — Kathleen M Sims

(74) *Attorney, Agent, or Firm* — Patent Group Law Department Avery Dennison Corporation

(57) **CLAIM**

We claim the ornamental designs for pockets, as shown and described.

**DESCRIPTION**

FIG. 1 is a top perspective view of a first embodiment of a pocket embodying our new design, the pocket in a closed configuration having a flap held closed with a hook and loop closure mechanism, and a region of adhesive that is covered with a piece of liner on the pocket's bottom surface.

FIG. 2 is a top perspective view of the pocket of FIG. 1 with the flap in a partially open configuration.

FIG. 3 is a top perspective view of the pocket of FIG. 1 with the flap in an open configuration.

FIG. 4 is a bottom perspective view of the pocket of FIG. 1.

FIG. 5 is a bottom perspective view of the pocket of FIG. 1 with the piece of liner partially removed from the region of adhesive.

FIG. 6 is a top plan view of the pocket of FIG. 1.

FIG. 7 is a bottom plan view of the pocket of FIG. 1.

FIG. 8 is a front-edge elevational view of the pocket of FIG. 1.

FIG. 9 is a back-edge elevational view of the pocket of FIG. 1.

FIG. 10 is a left-side elevational view of the pocket of FIG. 1.

FIG. 11 is a right-side elevational view of the pocket of FIG. 1.

FIG. 12 is a top perspective view of a second embodiment of a pocket embodying our new design, the pocket in a closed configuration having a flap held closed with a hook and loop closure mechanism, and a region of adhesive that is covered with a piece of liner on the pocket's bottom surface.

FIG. 13 is a top perspective view of the pocket of FIG. 12 with the flap in a partially open configuration.

FIG. 14 is a top perspective view of the pocket of FIG. 12 with the flap in an open configuration.

FIG. 15 is a bottom perspective view of the pocket of FIG. 12.

FIG. 16 is a bottom perspective view of the pocket of FIG. 12 with the piece of liner partially removed from the region of adhesive.

FIG. 17 is a top plan view of the pocket of FIG. 12.

FIG. 18 is a bottom plan view of the pocket of FIG. 12.

FIG. 19 is a front-edge elevational view of the pocket of FIG. 12.

FIG. 20 is a back-edge elevational view of the pocket of FIG. 12.

FIG. 21 is a left-side elevational view of the pocket of FIG. 12.

FIG. 22 is a right-side elevational view of the pocket of FIG. 12.

FIG. 23 is a top perspective view of a third embodiment of a pocket embodying our new design, the pocket in a closed configuration having a flap held closed with two hook and loop closure mechanisms, and a region of adhesive that is covered with a piece of liner on the pocket's bottom surface.

FIG. 24 is a top perspective view of the pocket of FIG. 23 with the flap in a partially open configuration.

FIG. 25 is a top perspective view of the pocket of FIG. 23 with the flap in an open configuration.

FIG. 26 is a bottom perspective view of the pocket of FIG. 23.

FIG. 27 is a bottom perspective view of the pocket of FIG. 23 with the piece of liner partially removed from the region of adhesive.

FIG. 28 is a top plan view of the pocket of FIG. 23.

FIG. 29 is a bottom plan view of the pocket of FIG. 23.

FIG. 30 is a front-edge elevational view of the pocket of FIG. 23.

FIG. 31 is a back-edge elevational view of the pocket of FIG. 23.

FIG. 32 is a left-side elevational view of the pocket of FIG. 23; and,

FIG. 33 is a right-side elevational view of the pocket of FIG. 23.

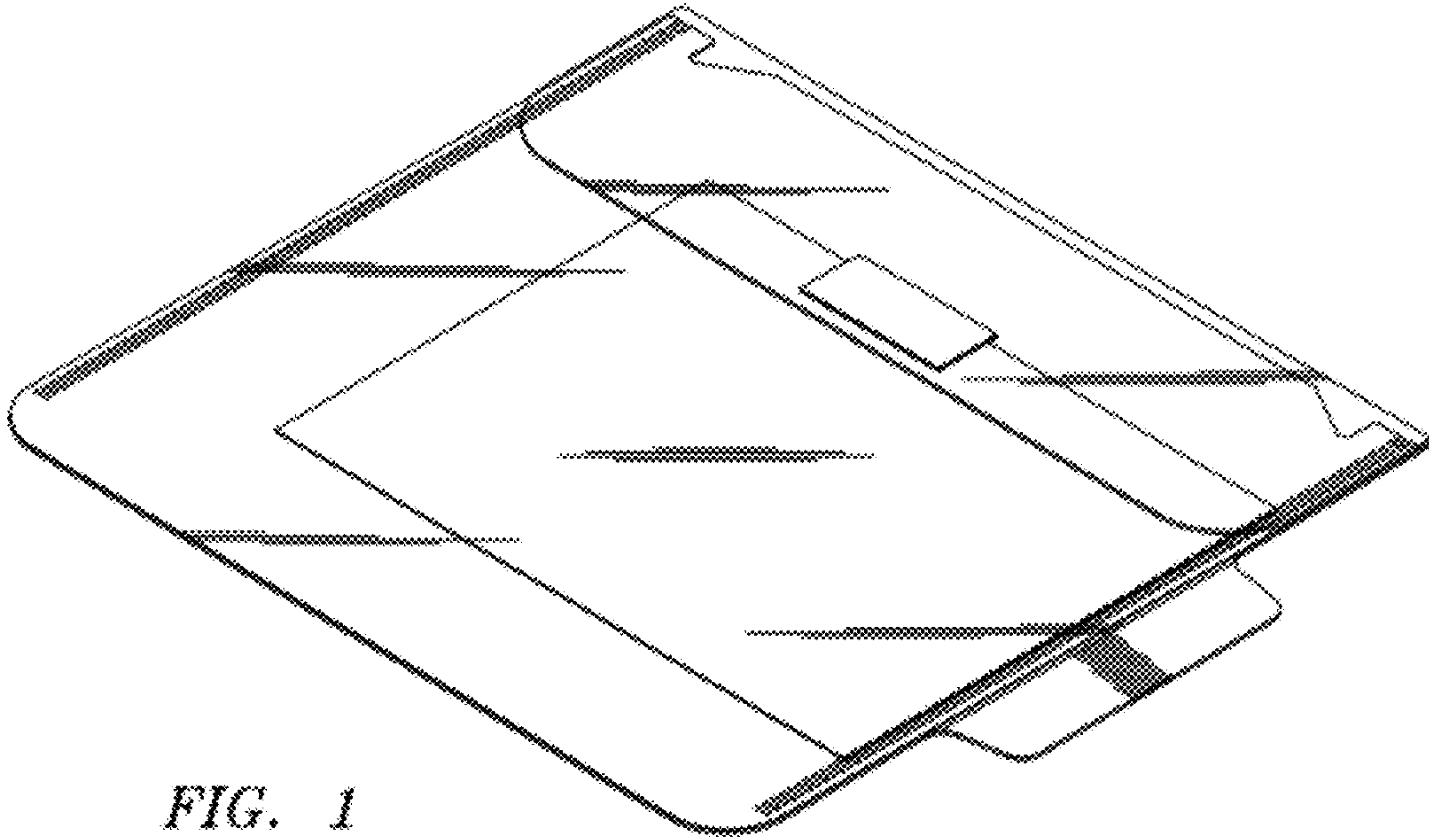


FIG. 1

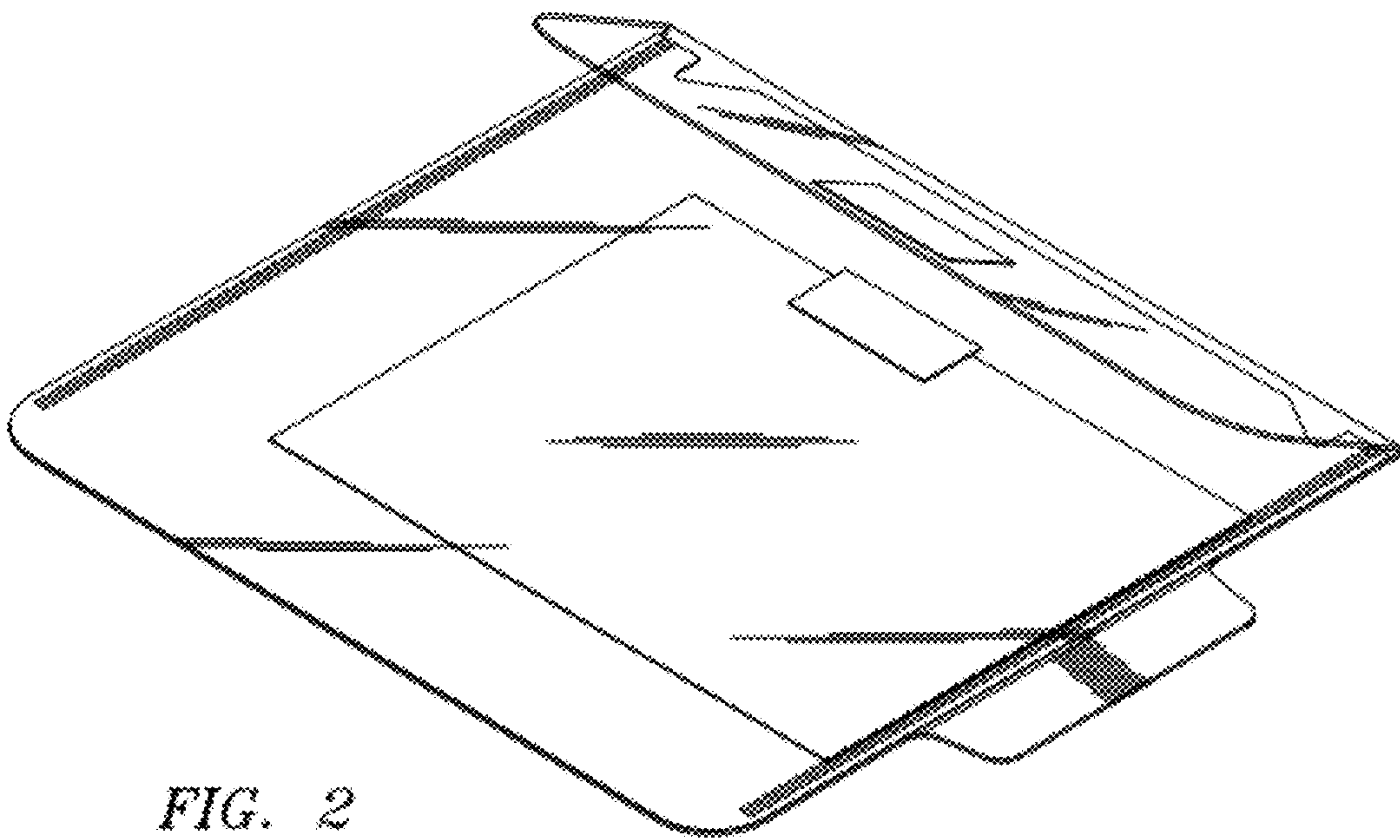


FIG. 2



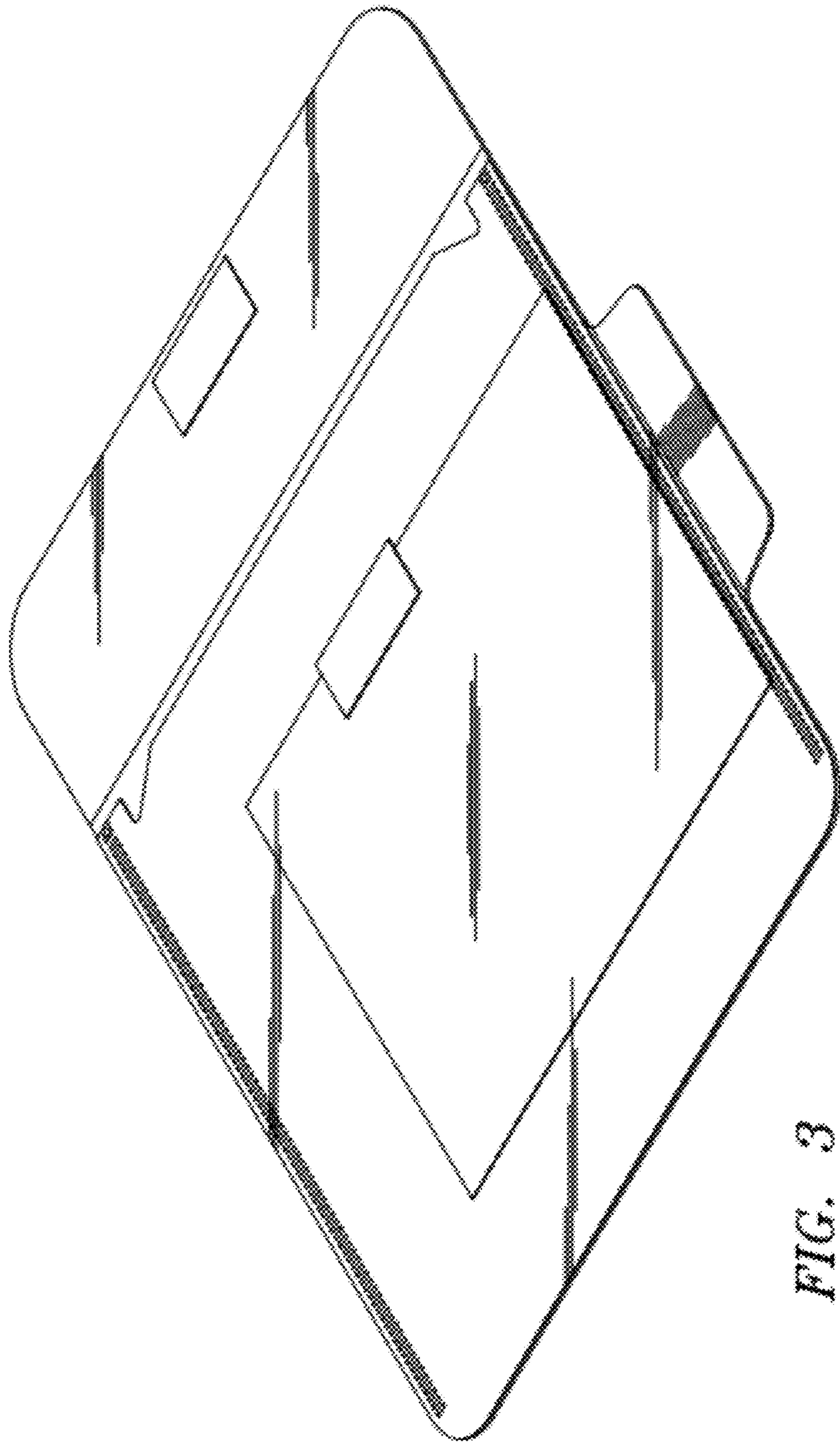


FIG. 3

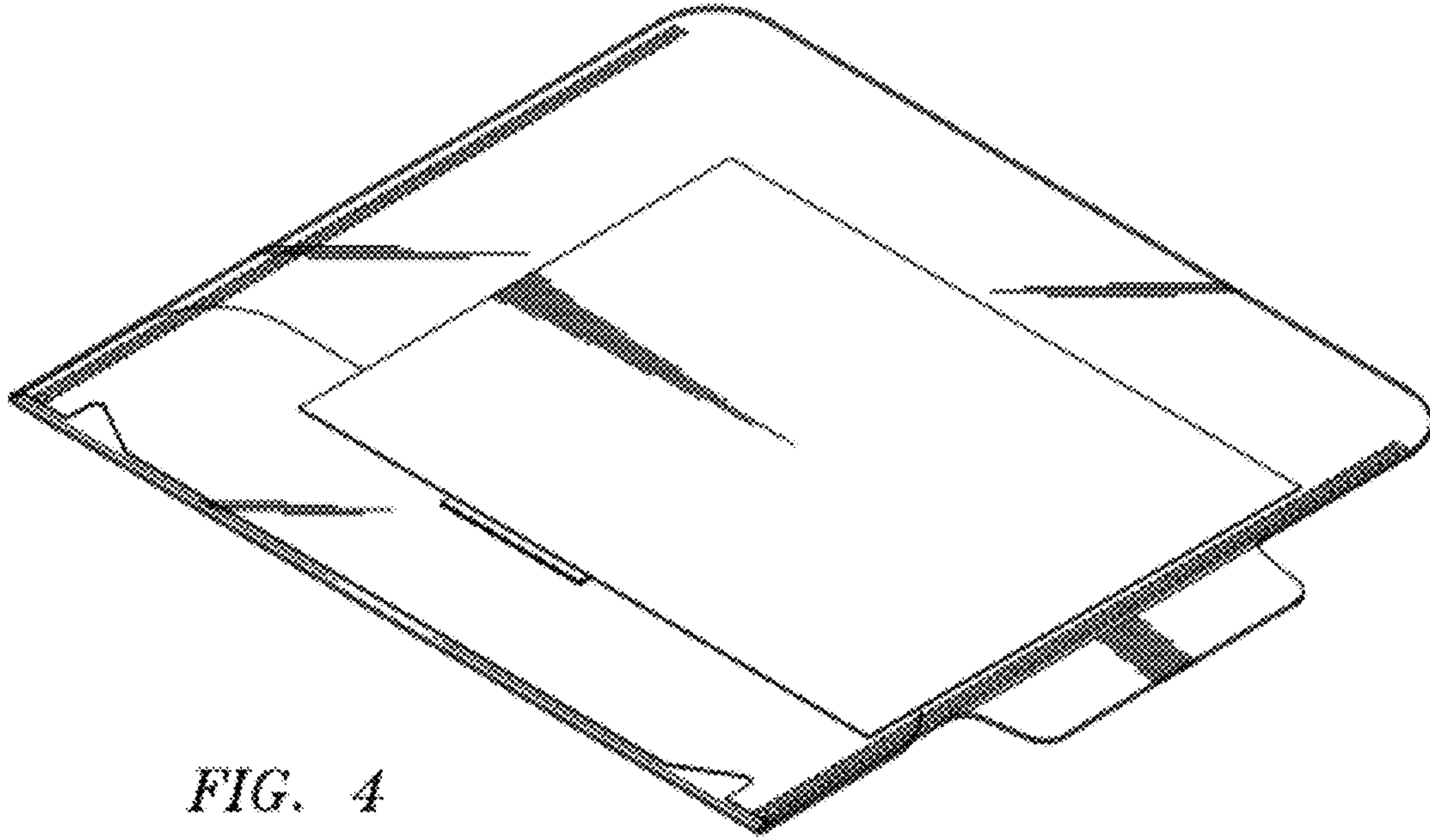


FIG. 4

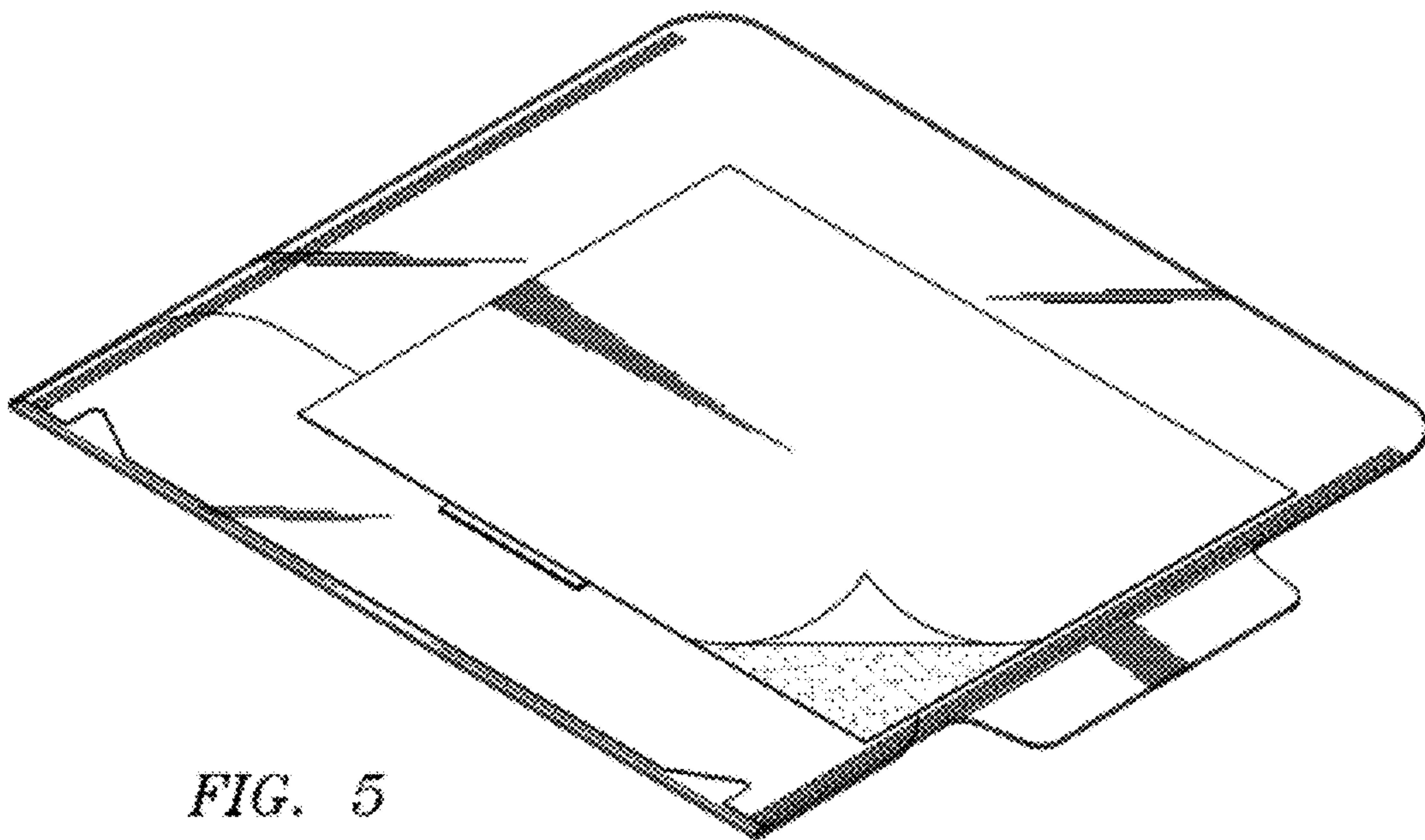


FIG. 5

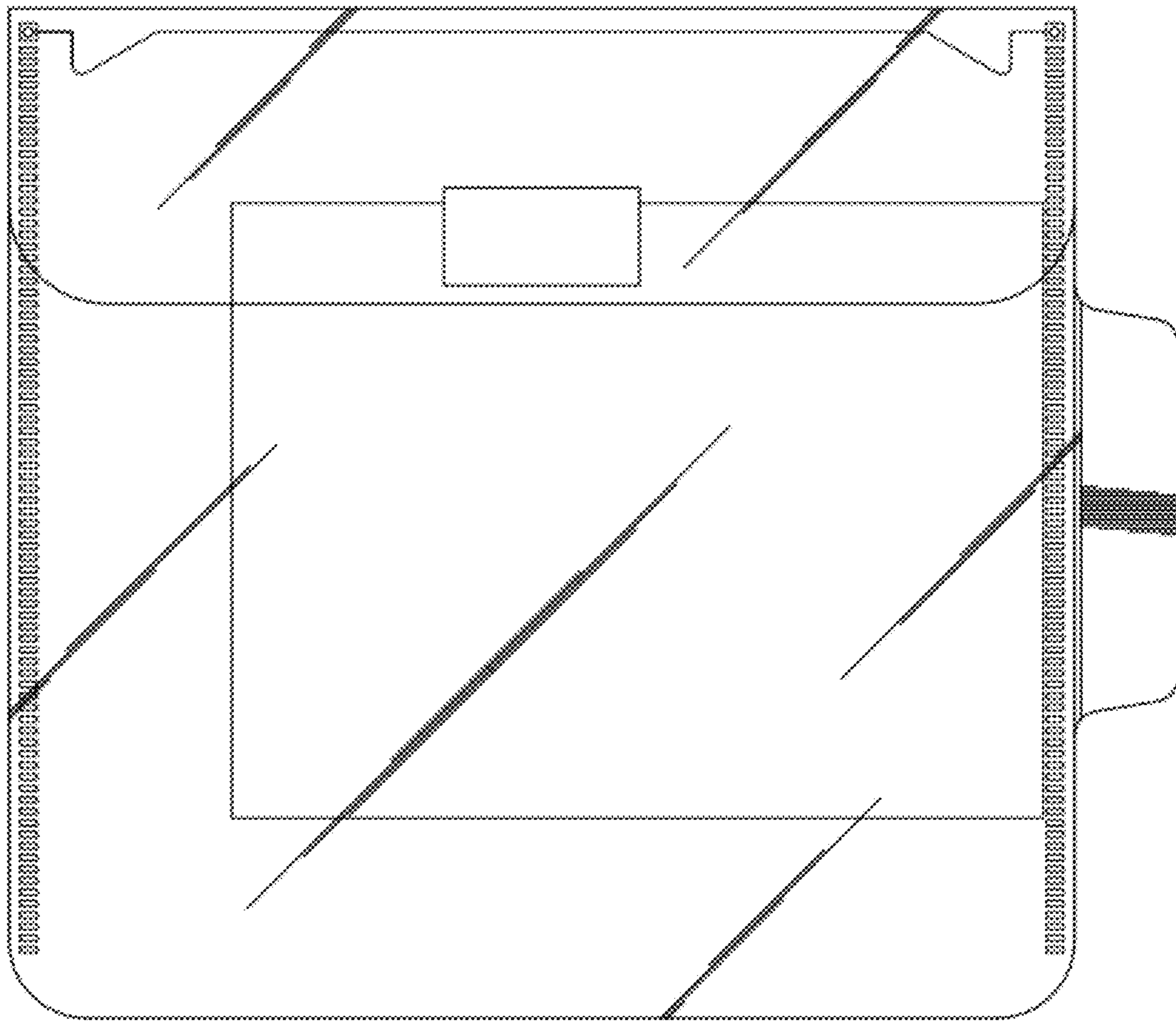
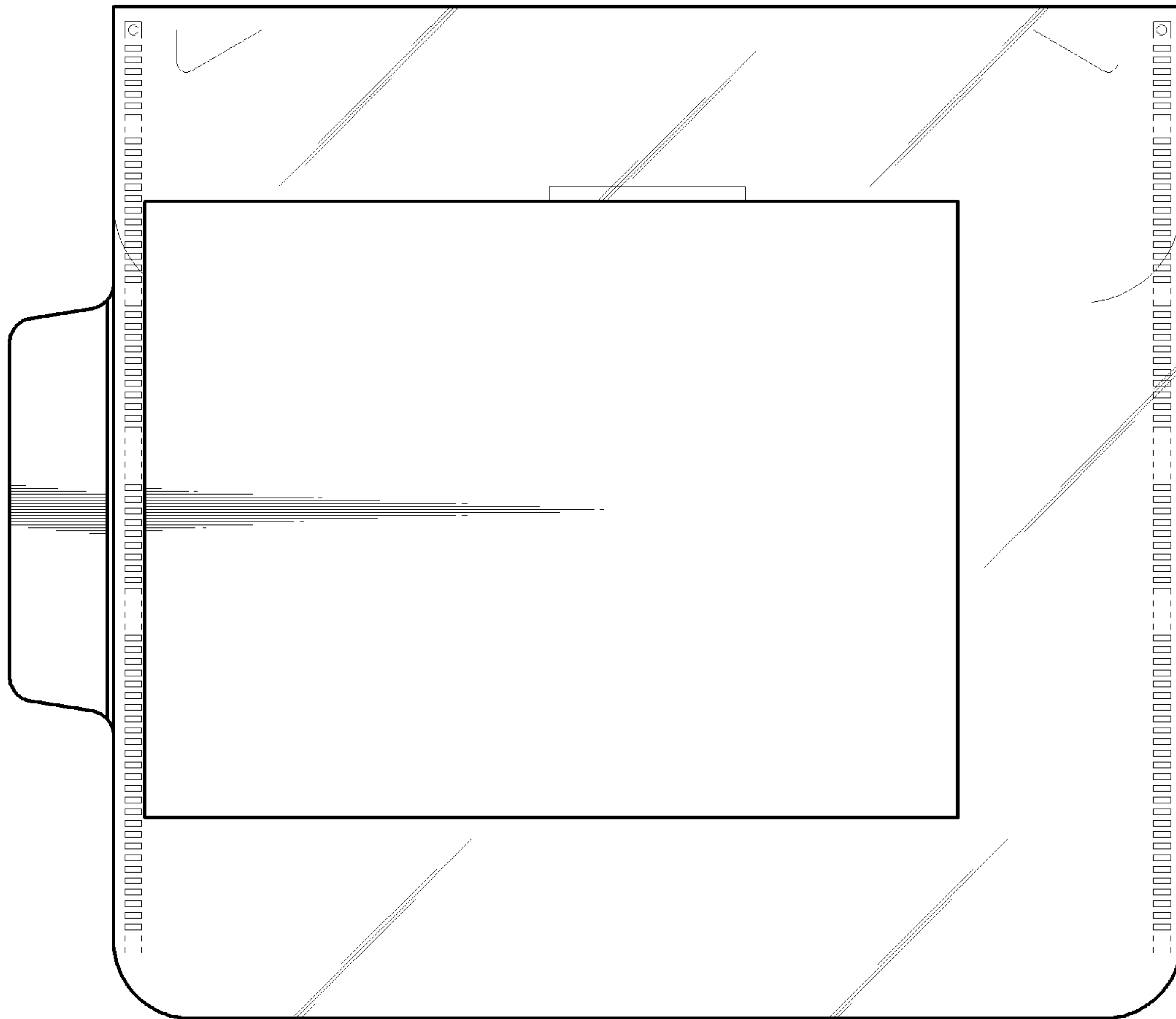


FIG. 6



**FIG. 7**



*FIG. 8*



*FIG. 9*



*FIG. 10*



*FIG. 11*



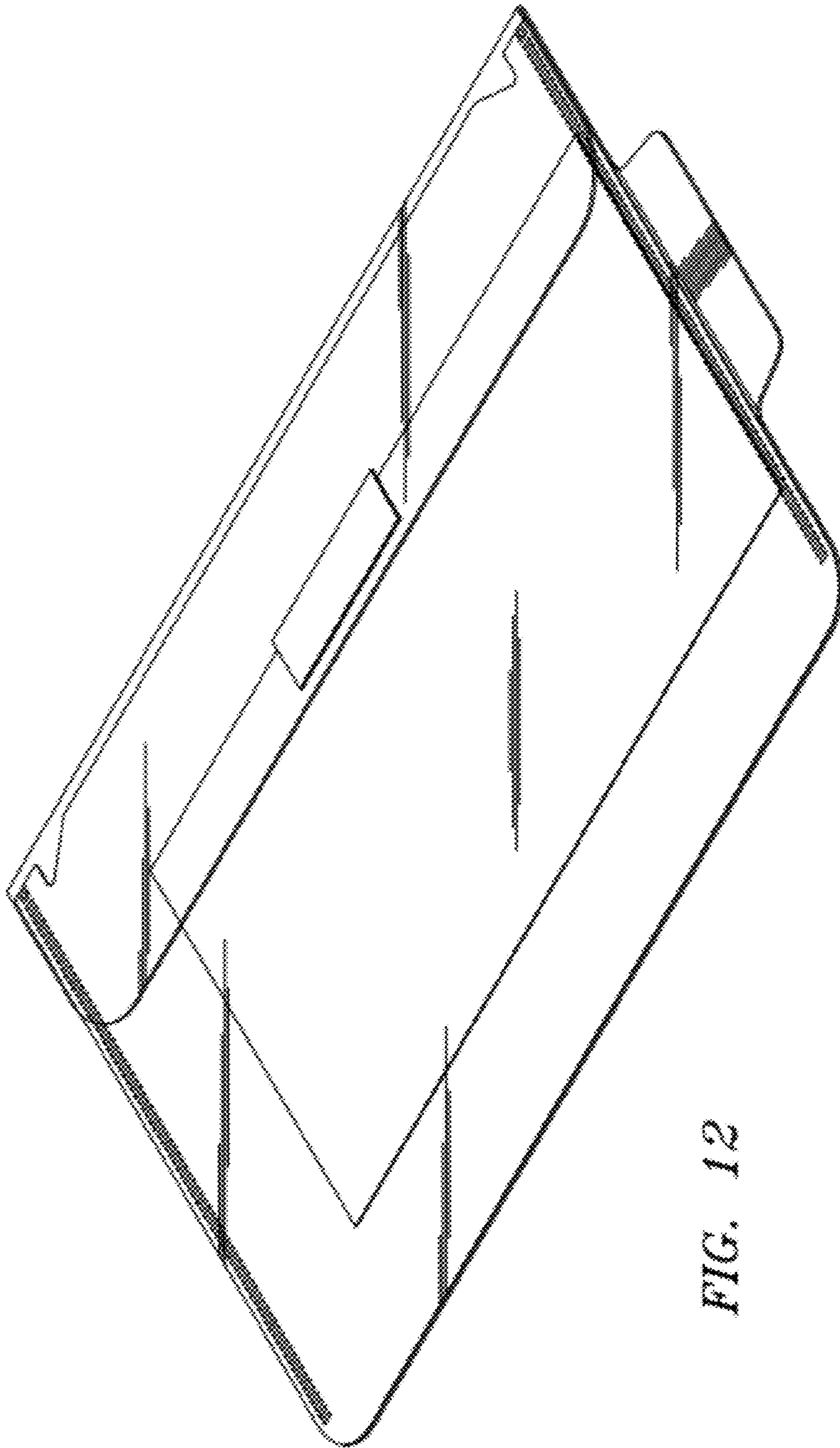


FIG. 12

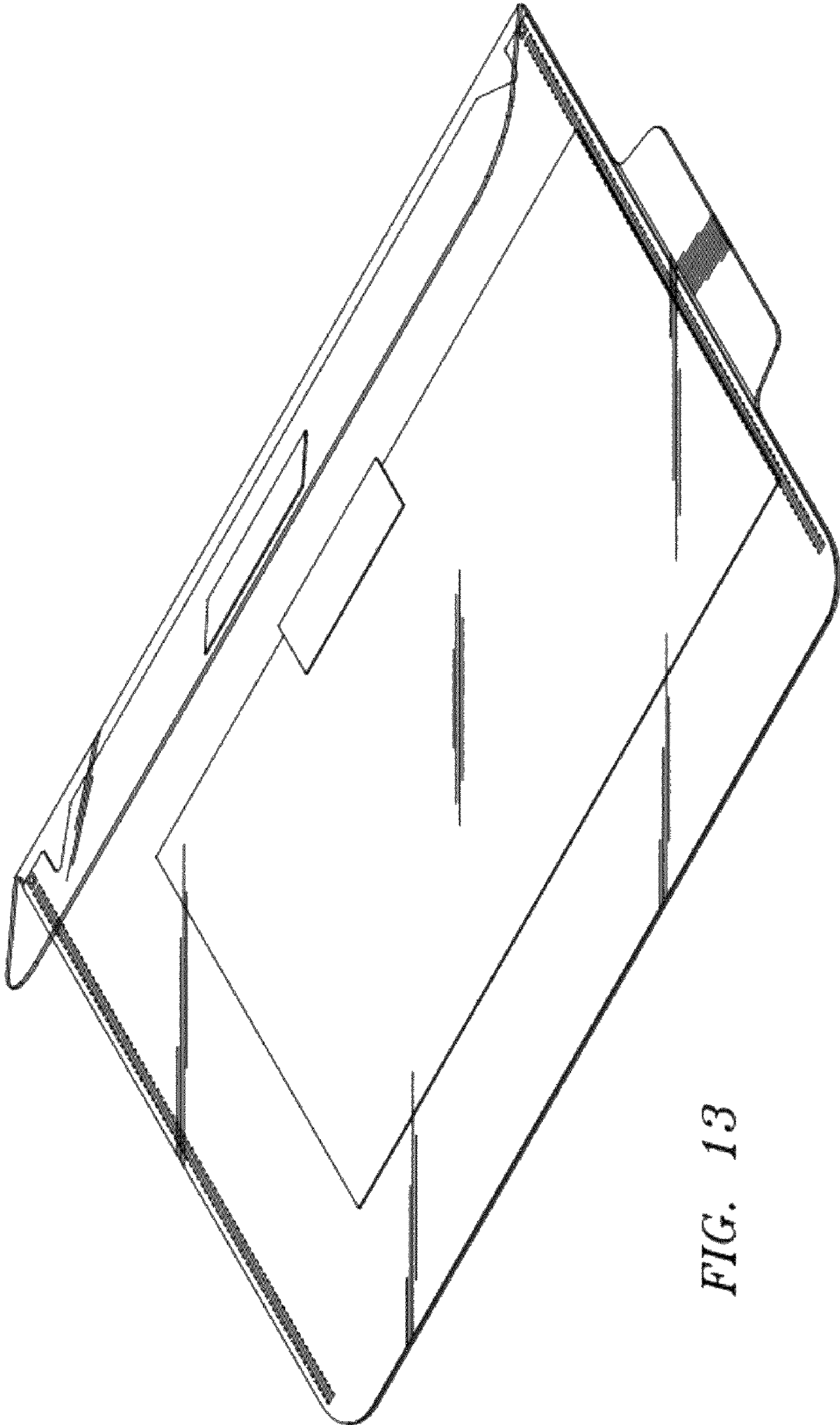


FIG. 13

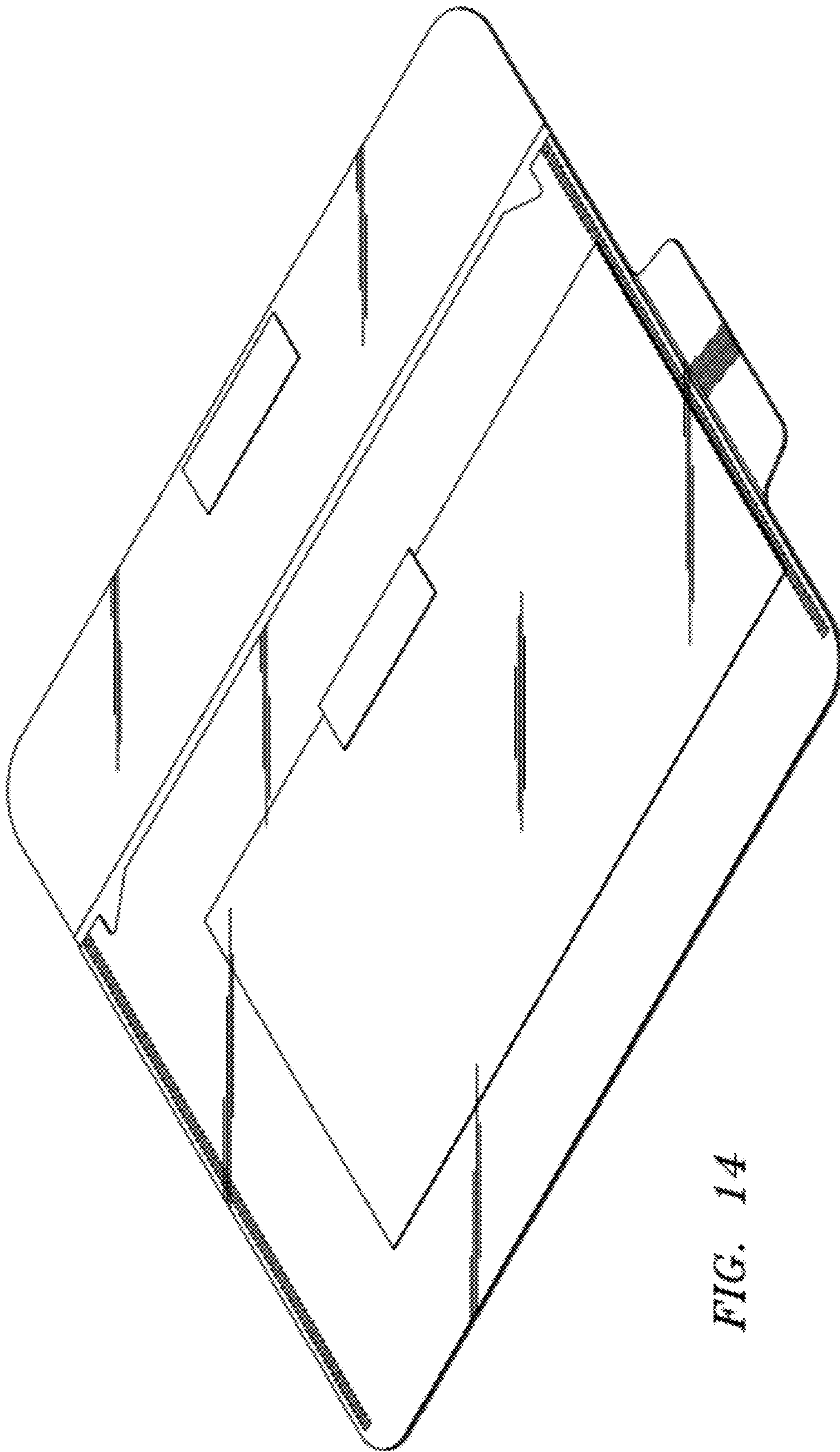


FIG. 14



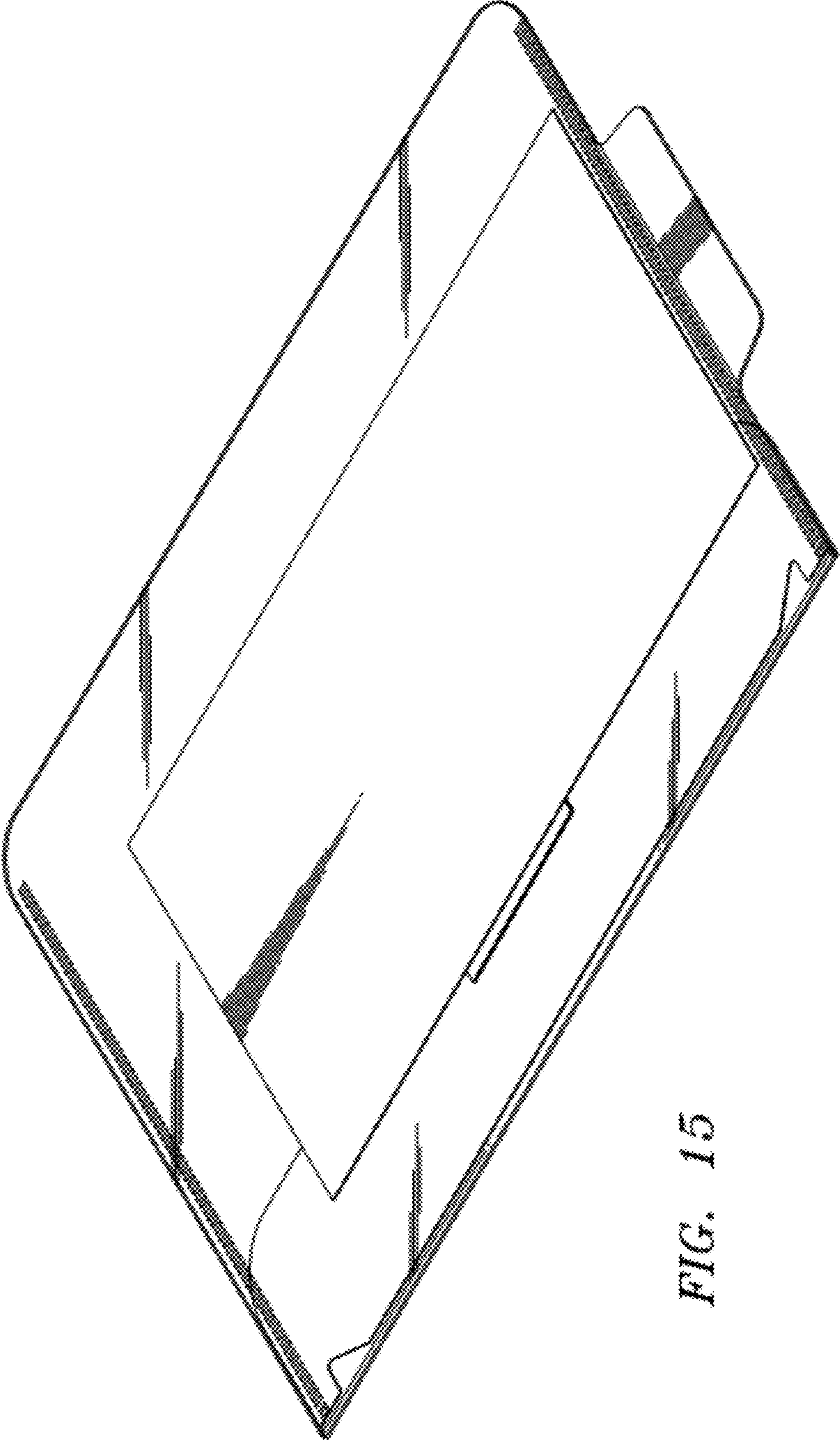


FIG. 15

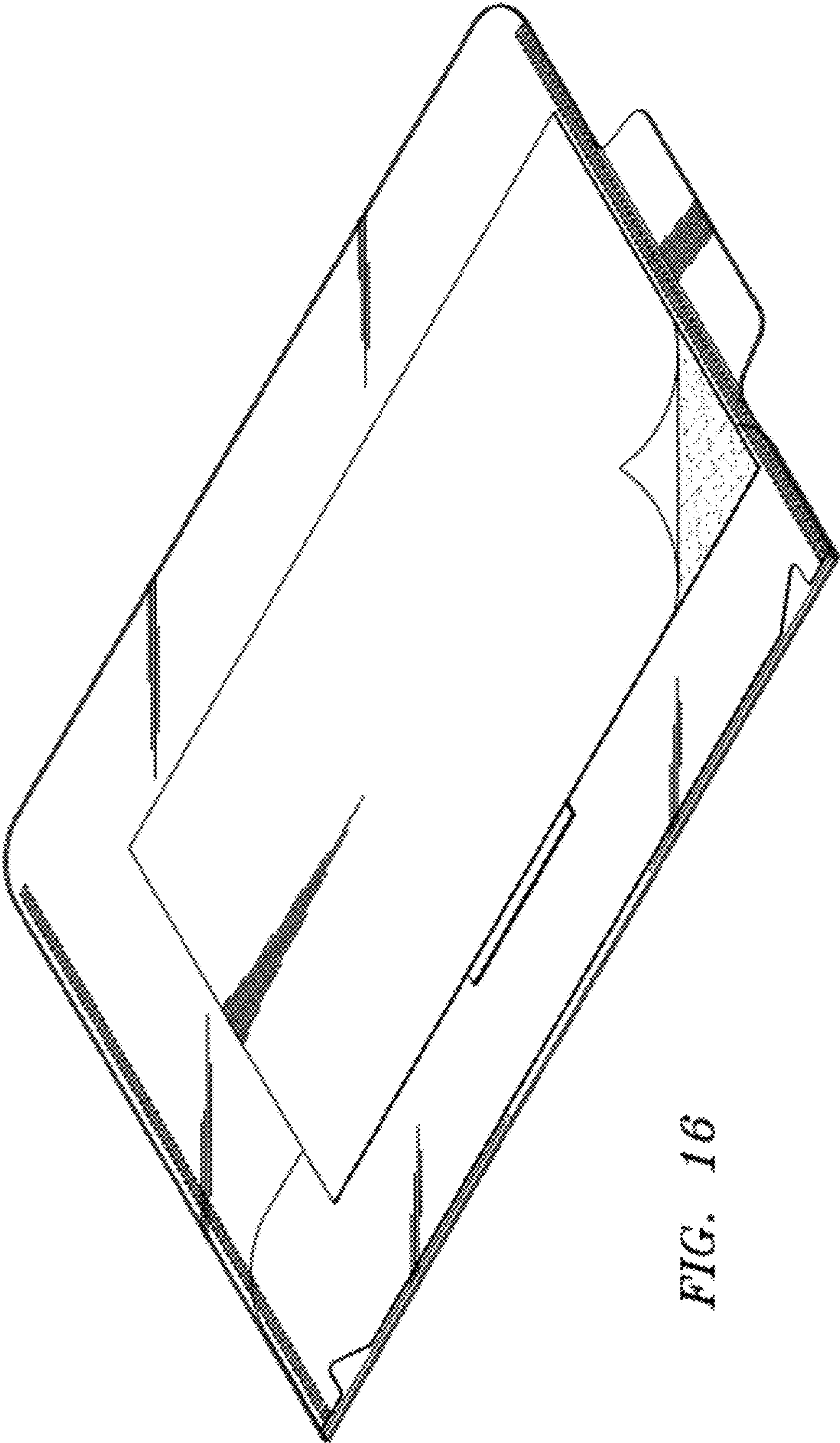


FIG. 16

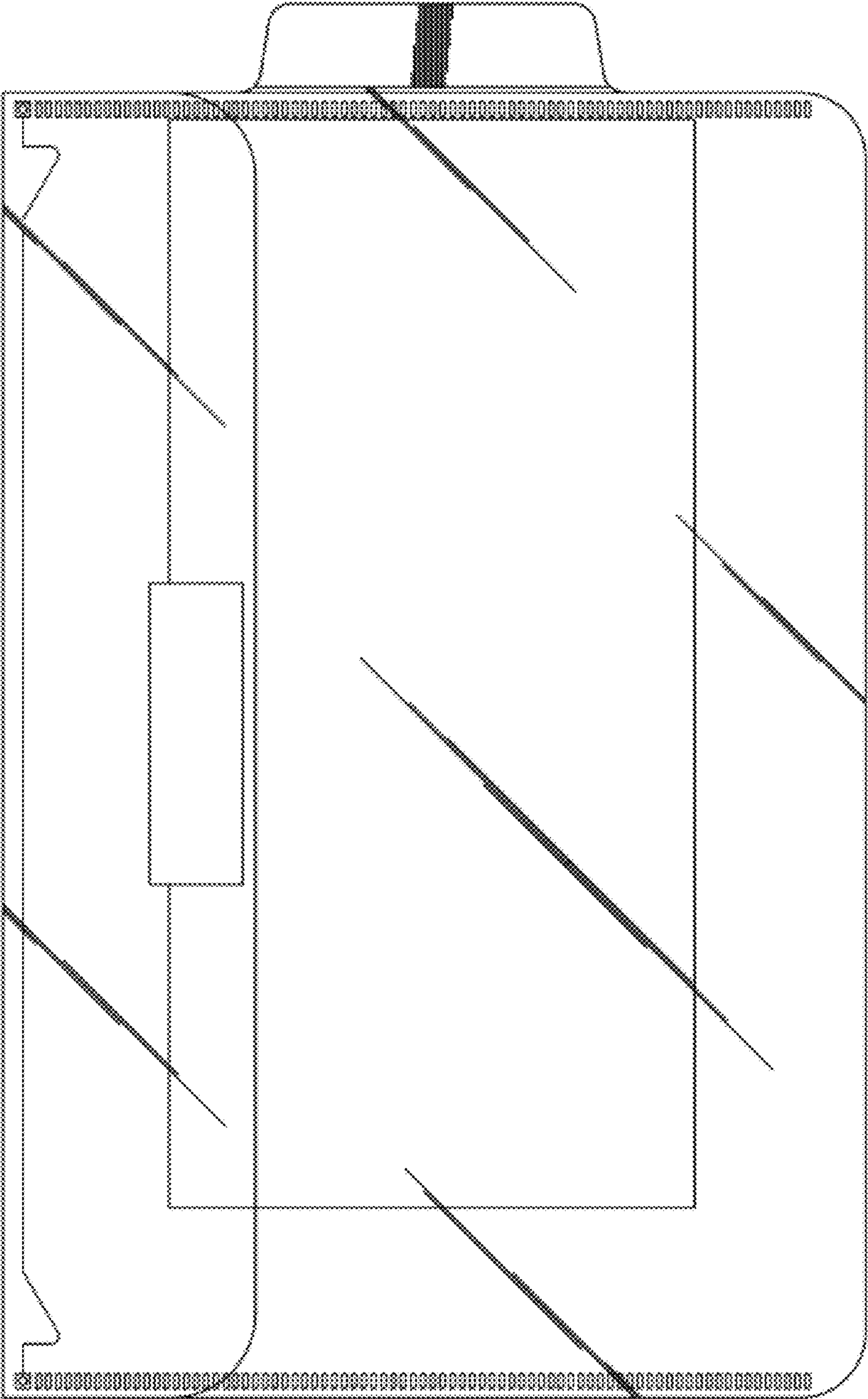
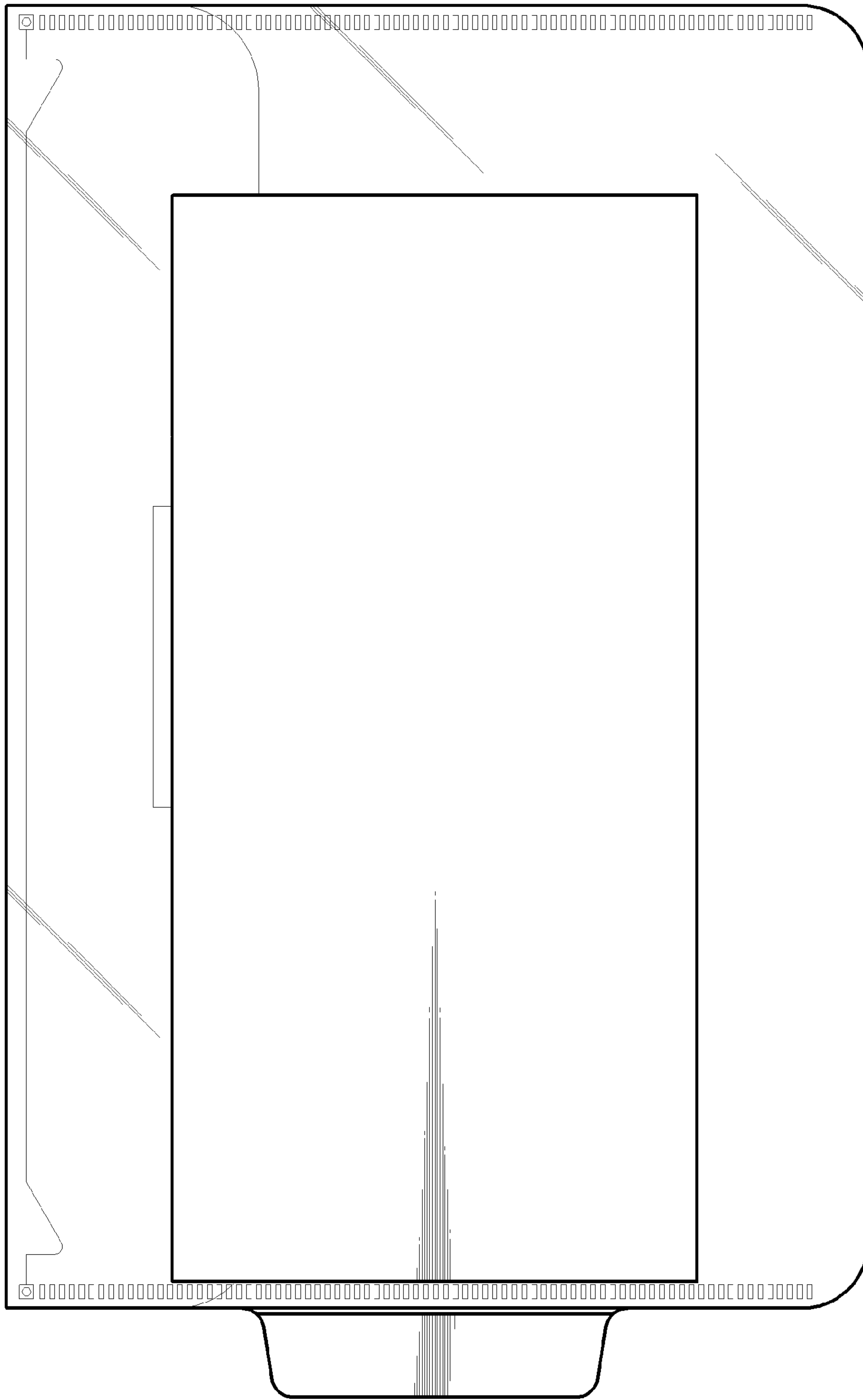


FIG. 17





**FIG. 18**



*FIG. 19*



*FIG. 20*



*FIG. 21*



*FIG. 22*

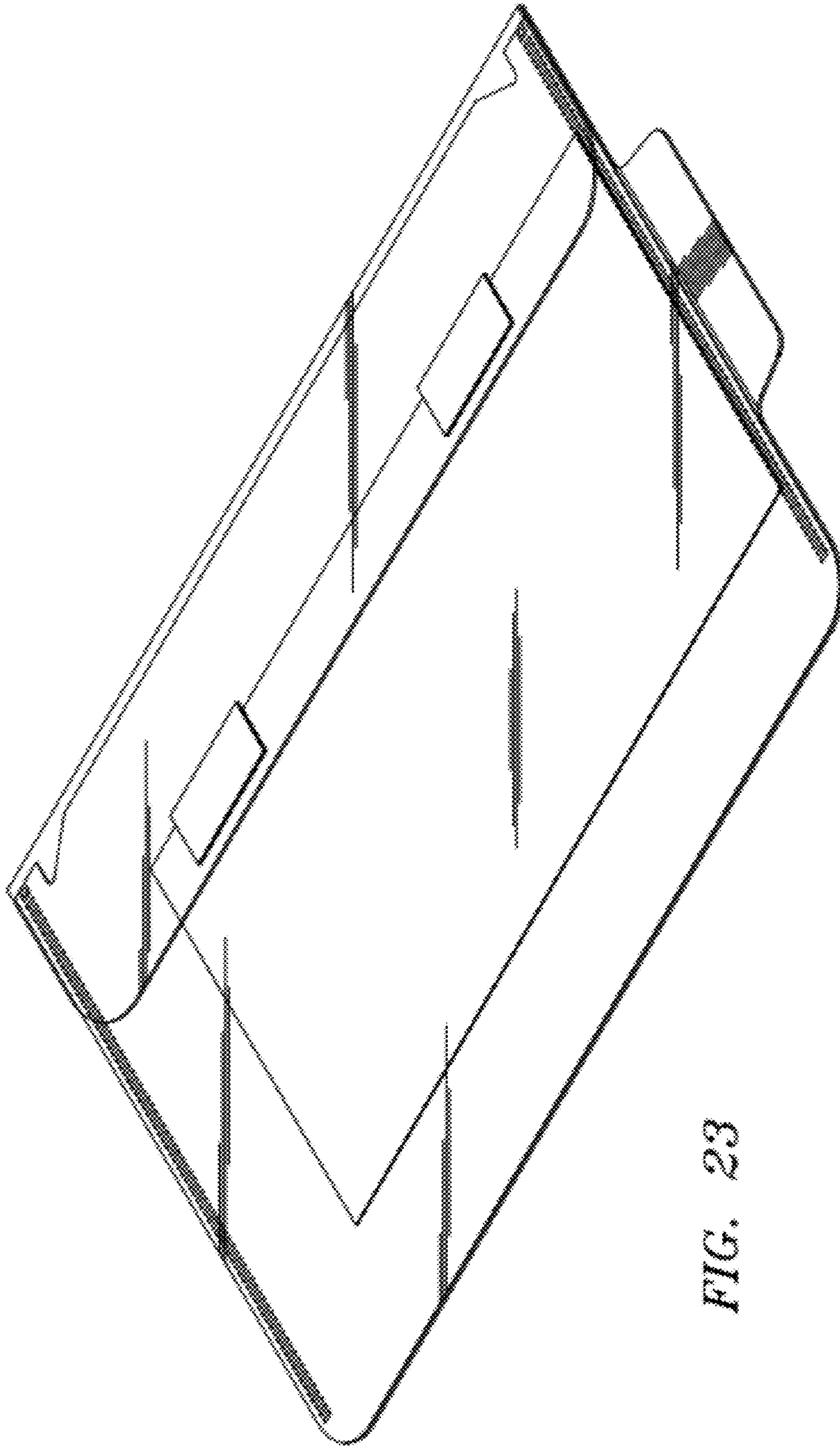


FIG. 23



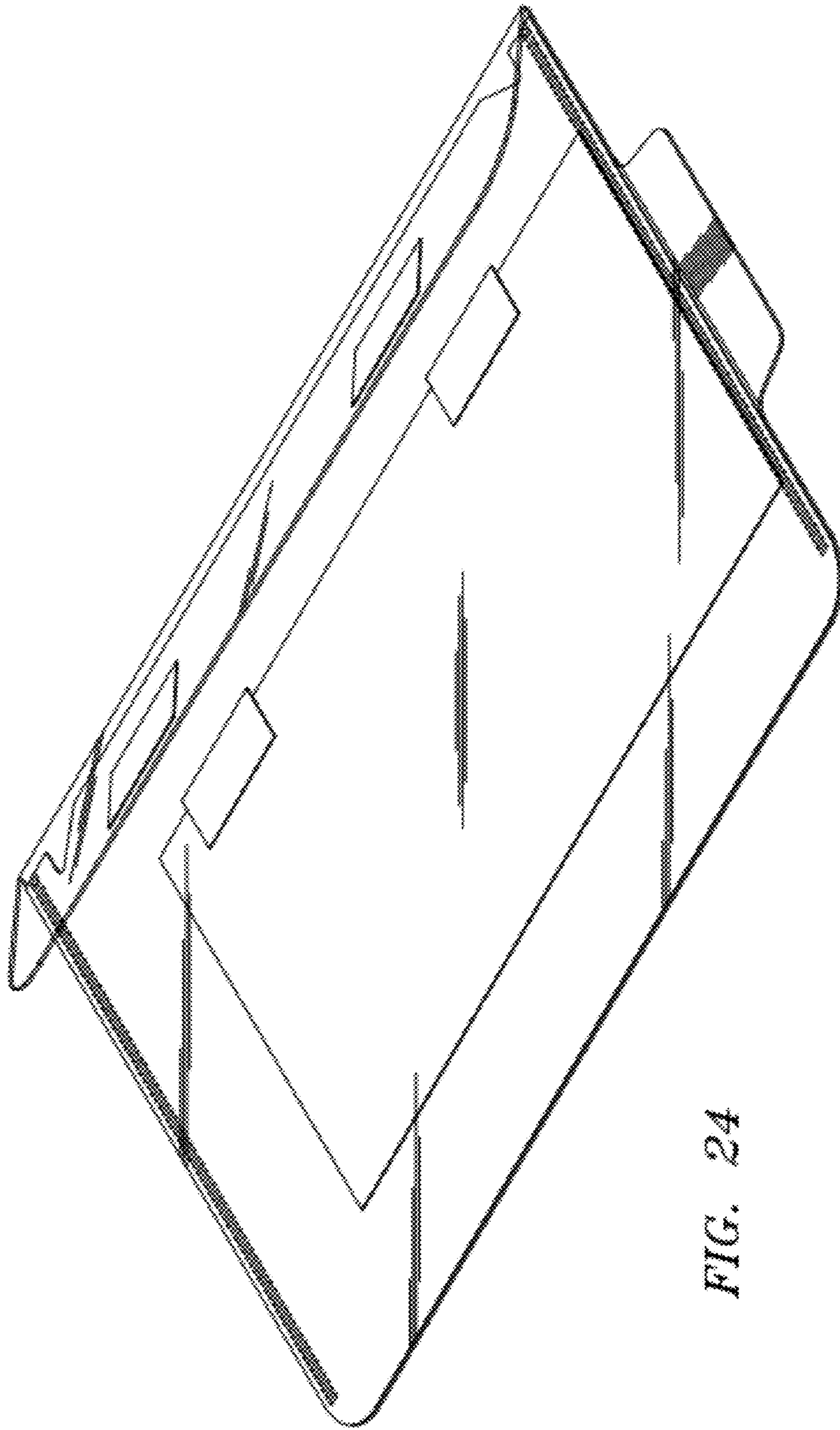


FIG. 24

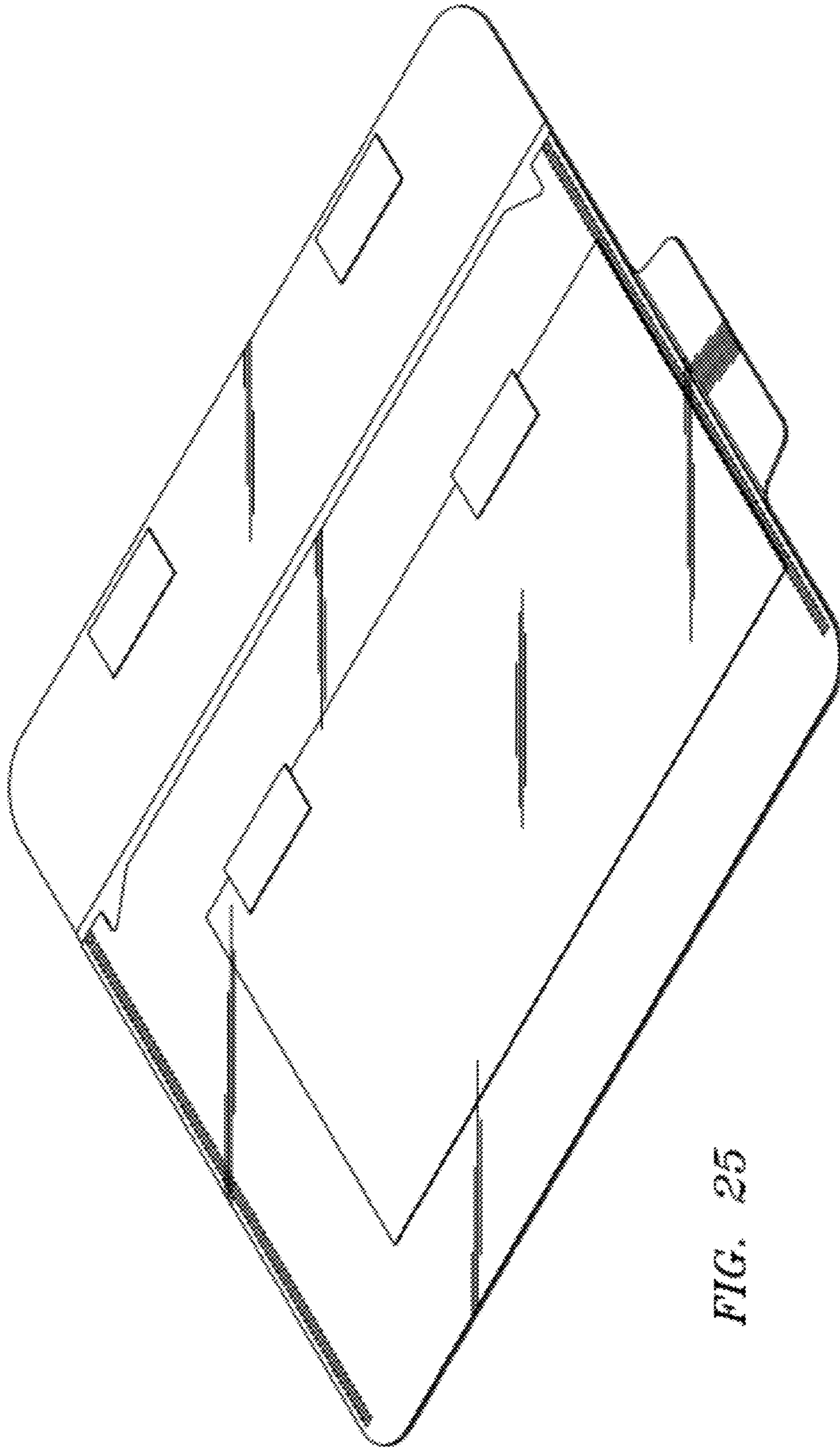


FIG. 25

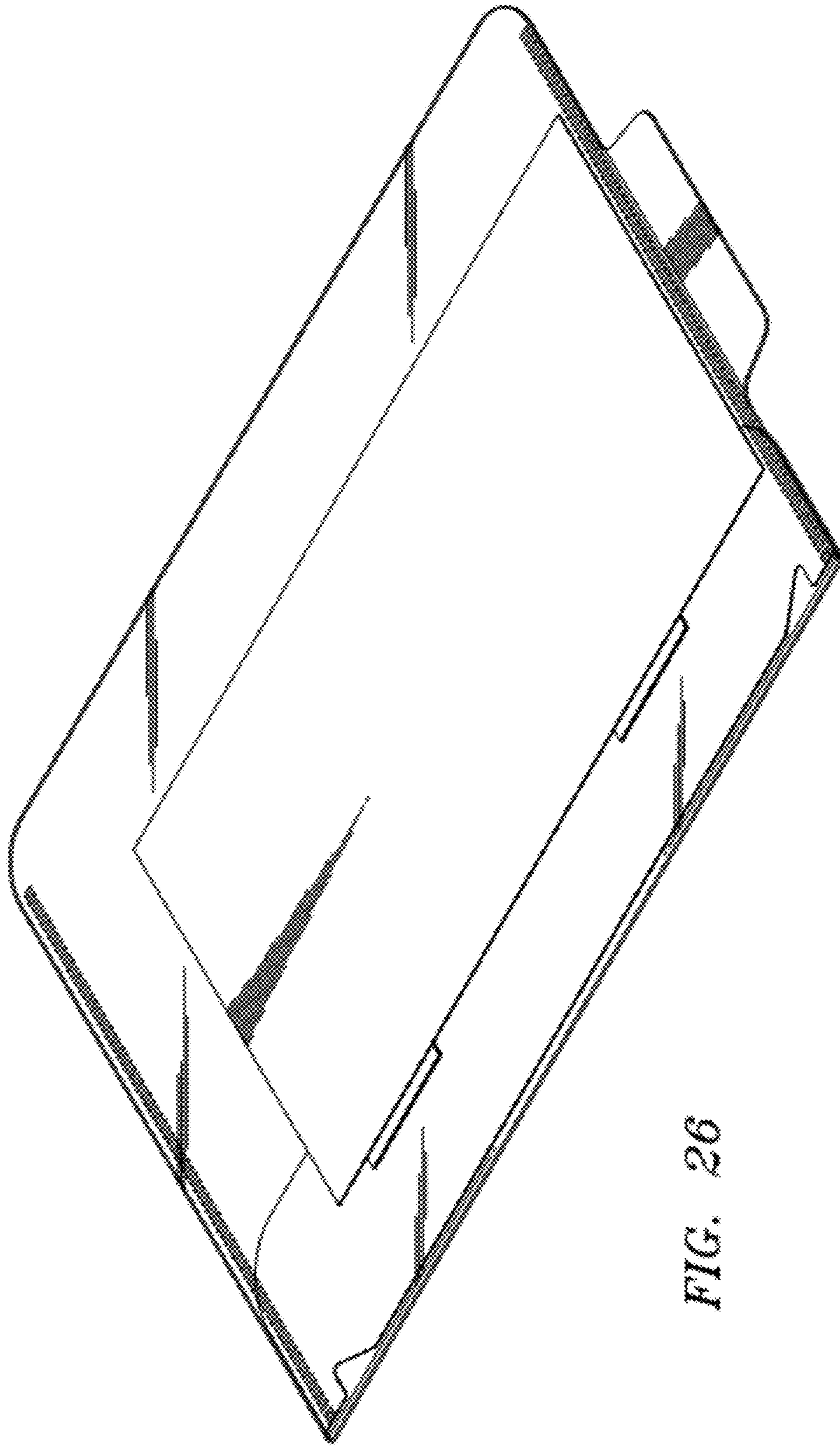


FIG. 26



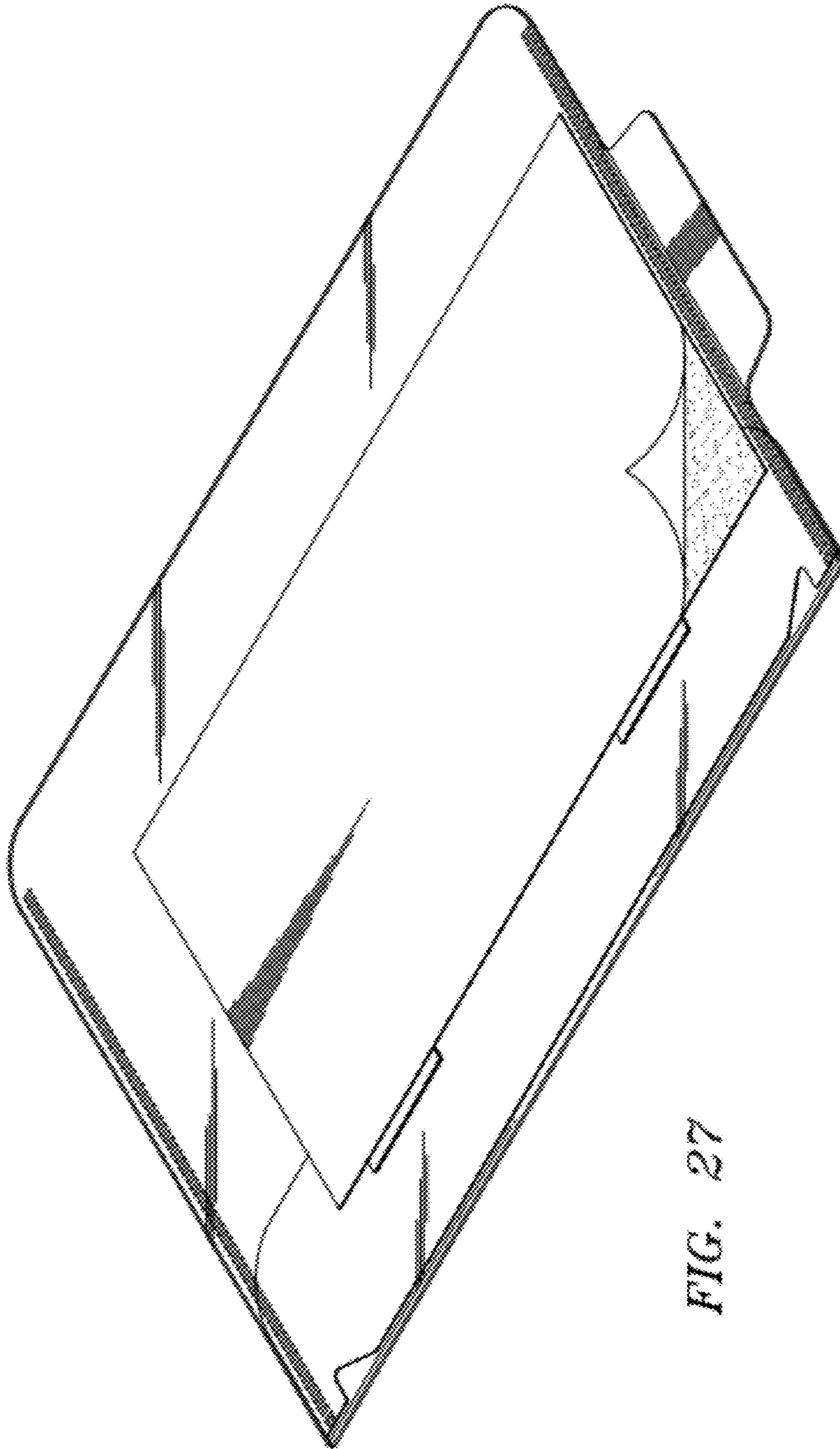


FIG. 27

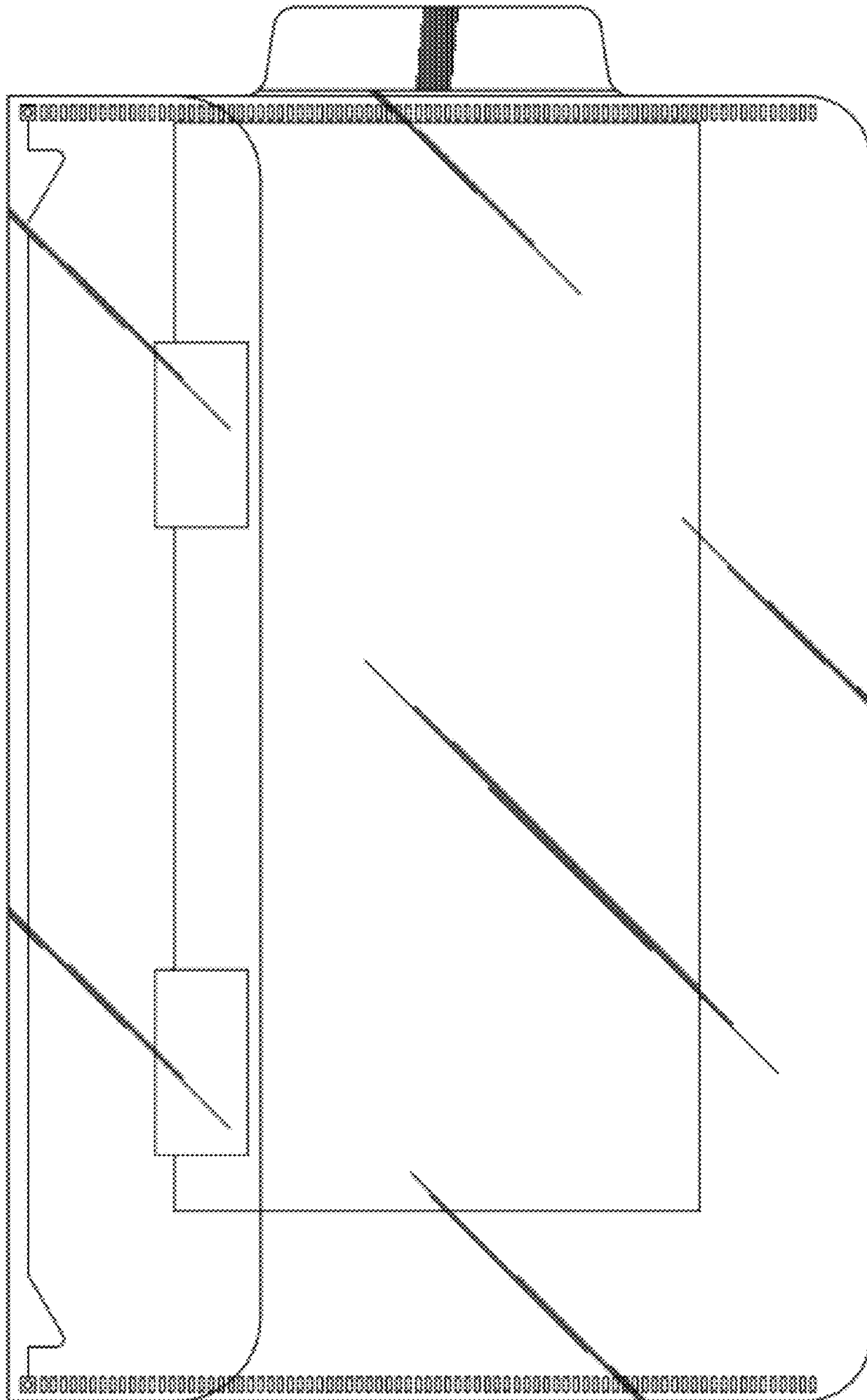
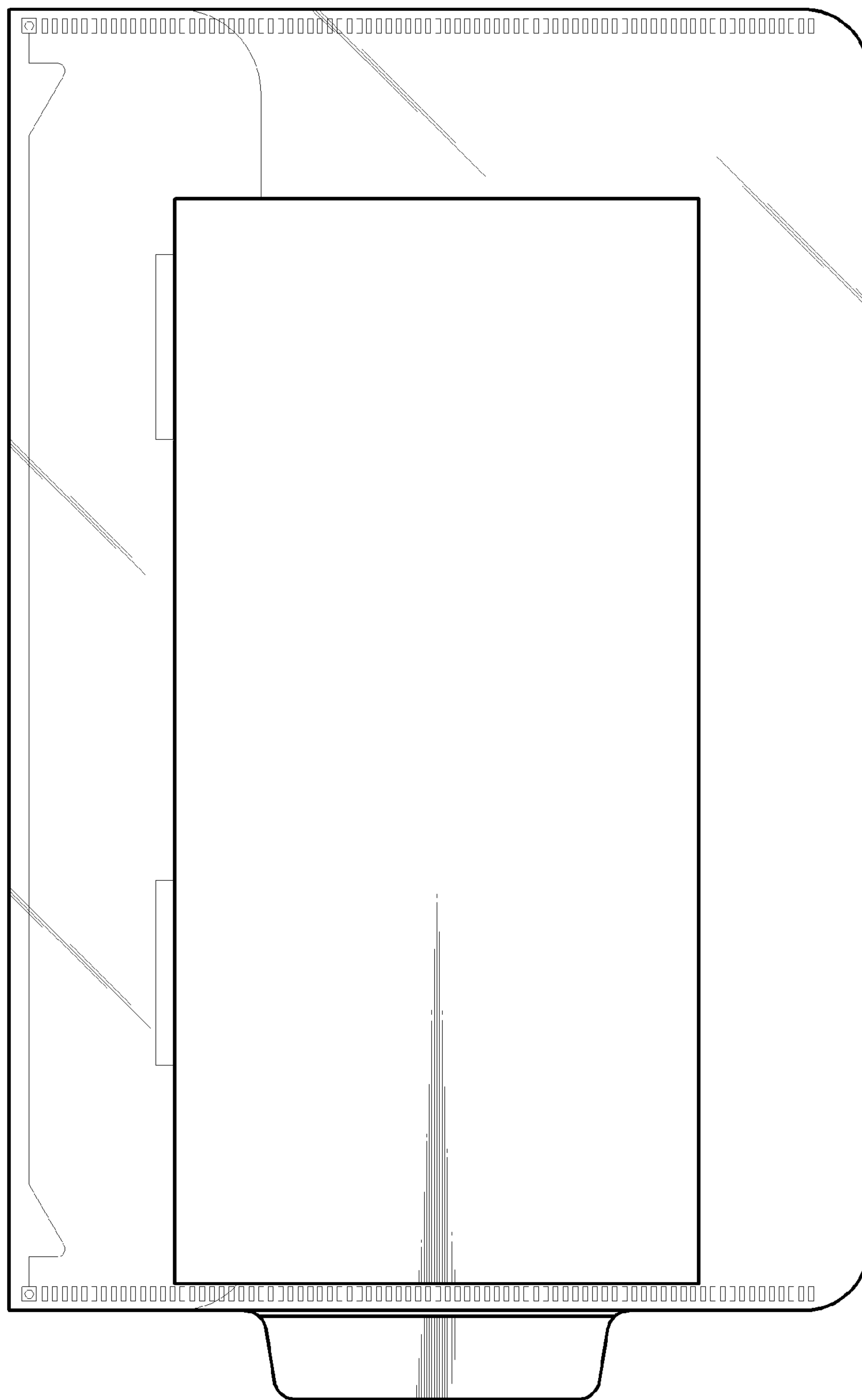


FIG. 28



**FIG. 29**





*FIG. 30*



*FIG. 31*



*FIG. 32*



*FIG. 33*