



US00D673605S

(12) **United States Design Patent**
Johnson et al.

(10) **Patent No.:** **US D673,605 S**
(45) **Date of Patent:** **** Jan. 1, 2013**

(54) **PRINT HEAD**

(75) Inventors: **Kevin C. Johnson**, Minneapolis, MN
(US); **Brett R. Johnson**, Roseville, MN
(US)

(73) Assignee: **Stratasys, Inc.**, Eden Prairie, MN (US)

(**) Term: **14 Years**

(21) Appl. No.: **29/418,610**

(22) Filed: **Apr. 18, 2012**

Related U.S. Application Data

(62) Division of application No. 29/381,753, filed on Dec. 22, 2010, now Pat. No. Des. 660,353.

(51) **LOC (9) Cl.** **18-02**

(52) **U.S. Cl.** **D18/56**

(58) **Field of Classification Search** D18/12,
D18/40, 43, 56; 347/86-67
See application file for complete search history.

(56) **References Cited**

U.S. PATENT DOCUMENTS

- 4,749,347 A 6/1988 Valavaara
- 5,121,329 A 6/1992 Crump
- 5,255,988 A * 10/1993 Yamamoto D18/56
- 5,303,141 A 4/1994 Batchelder et al.
- 5,312,224 A 5/1994 Batchelder et al.
- 5,340,433 A 8/1994 Crump
- D354,982 S * 1/1995 Akahane et al. D18/56
- 5,426,722 A 6/1995 Batchelder
- 5,503,785 A 4/1996 Crump et al.
- D377,047 S * 12/1996 Ishizawa et al. D18/56
- 5,653,925 A 8/1997 Batchelder
- 5,738,817 A 4/1998 Danforth et al.
- 5,764,521 A 6/1998 Batchelder et al.
- 5,866,058 A 2/1999 Batchelder et al.
- 5,939,008 A 8/1999 Comb et al.
- 5,968,561 A 10/1999 Batchelder et al.
- 6,004,124 A 12/1999 Swanson et al.
- 6,022,207 A 2/2000 Dahlin et al.

- 6,028,410 A 2/2000 Leavitt et al.
- 6,054,077 A 4/2000 Comb et al.
- D424,103 S * 5/2000 Eckard et al. D18/56
- 6,067,480 A 5/2000 Stuffle et al.
- 6,070,107 A 5/2000 Lombardi et al.
- 6,085,957 A 7/2000 Zinniel et al.
- 6,129,872 A 10/2000 Jang
- 6,149,267 A * 11/2000 Geissmann 347/87
- 6,228,923 B1 5/2001 Lombardi et al.
- D449,335 S * 10/2001 Giles et al. D18/56
- 6,547,995 B1 4/2003 Comb
- 6,629,011 B1 9/2003 Calderon et al.
- 6,645,412 B2 11/2003 Priedeman, Jr.
- 6,685,866 B2 2/2004 Swanson et al.
- 6,722,872 B1 4/2004 Swanson et al.
- 6,749,414 B1 6/2004 Hanson et al.
- 6,776,602 B2 8/2004 Swanson et al.
- 6,790,403 B1 9/2004 Priedeman, Jr. et al.

(Continued)

FOREIGN PATENT DOCUMENTS

WO WO-2009/088995 7/2009

Primary Examiner — Cathy A MacCormac

(74) *Attorney, Agent, or Firm* — Brian R. Morrison;
Westman, Champlin & Kelley, P.A.

(57) **CLAIM**

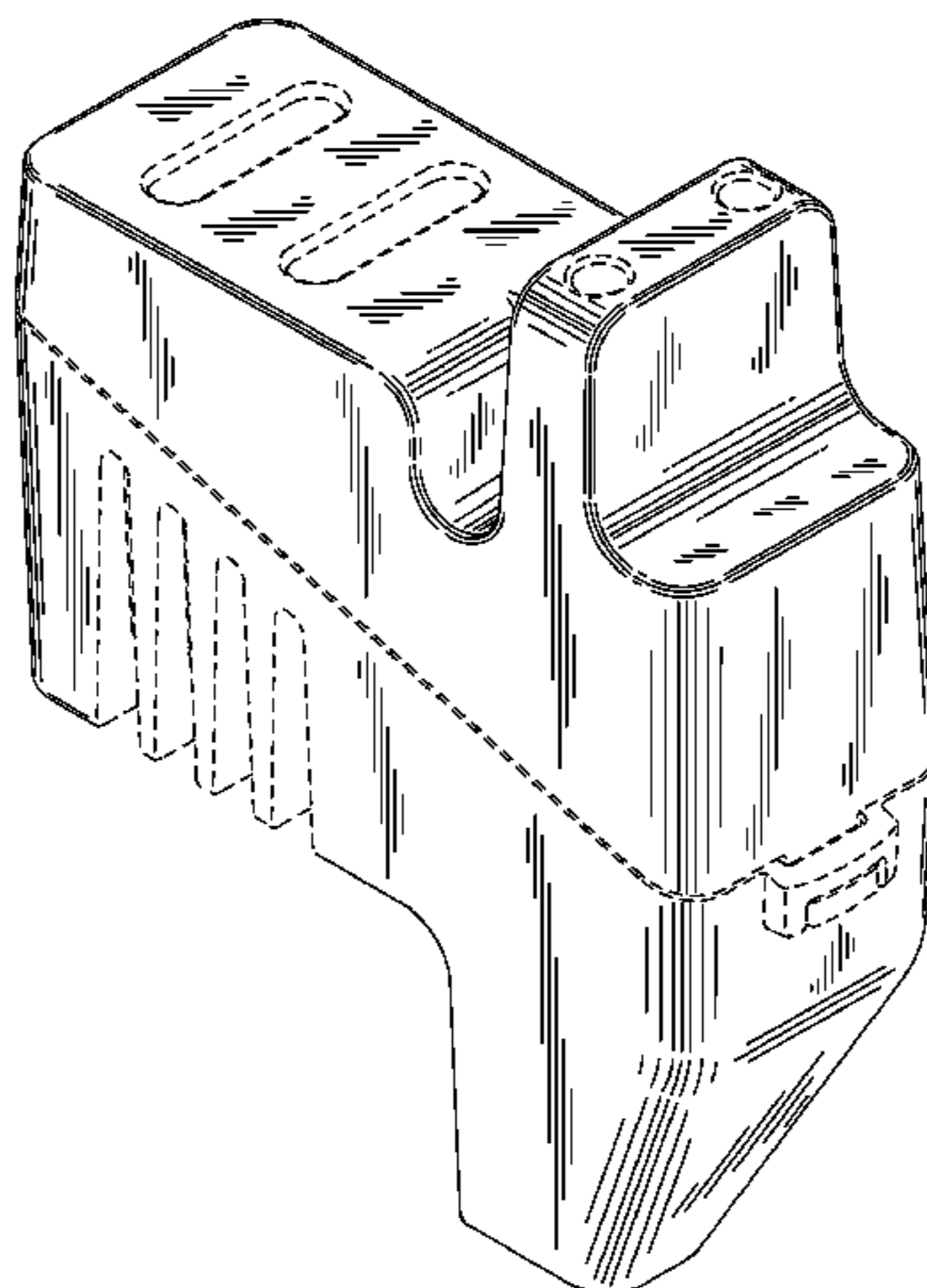
The ornamental design for a print head, as shown and described.

DESCRIPTION

FIG. 1 is a top front perspective view of a print head;
FIG. 2 is a top rear perspective view thereof;
FIG. 3 is a front view thereof;
FIG. 4 is a rear view thereof;
FIG. 5 is a left side view thereof;
FIG. 6 is a right side view thereof;
FIG. 7 is a top view thereof; and,
FIG. 8 is a bottom view thereof.

The features shown in broken lines illustrate environmental subject matter only, and form no part of the claimed design.

1 Claim, 6 Drawing Sheets



US D673,605 S

Page 2

U.S. PATENT DOCUMENTS						
			2009/0035405	A1	2/2009	Leavitt
			2009/0263582	A1	10/2009	Batchelder
6,814,907	B1	11/2004	Comb			
6,866,807	B2	3/2005	Comb et al.			
6,869,559	B2	3/2005	Hopkins			
6,923,634	B2	8/2005	Swanson et al.			
6,998,087	B1	2/2006	Hanson et al.			
D525,296	S *	7/2006	Nakashima et al.	D18/56		
7,122,246	B2	10/2006	Comb et al.			
7,169,337	B2	1/2007	Swanson et al.			
7,172,715	B2	2/2007	Swanson et al.			
D542,344	S *	5/2007	Duby et al.	D18/56		
7,297,304	B2	11/2007	Swanson et al.			
7,314,591	B2	1/2008	Priedeman, Jr.			
7,384,255	B2	6/2008	LaBossiere et al.			
D590,015	S *	4/2009	Matsuba et al.	D18/56		
7,604,470	B2	10/2009	LaBossiere et al.			
7,625,200	B2	12/2009	Leavitt			
2005/0173838	A1	8/2005	Priedeman, Jr. et al.			
2007/0228590	A1	10/2007	LaBossiere et al.			
2007/0228592	A1	10/2007	Dunn et al.			
2008/0169585	A1	7/2008	Zinniel			
			2009/0273122	A1	11/2009	Batchelder et al.
			2009/0274540	A1	11/2009	Batchelder et al.
			2010/0021580	A1	1/2010	Swanson et al.
			2010/0096072	A1	4/2010	Hopkins et al.
			2010/0096485	A1	4/2010	Taatjes et al.
			2010/0096489	A1	4/2010	Taatjes et al.
			2010/0100224	A1	4/2010	Comb et al.
			2010/0283172	A1	11/2010	Swanson
			2011/0074065	A1	3/2011	Swanson et al.
			2011/0076495	A1	3/2011	Swanson et al.
			2011/0076496	A1	3/2011	Swanson et al.
			2011/0117268	A1	5/2011	Bosveld et al.
			2011/0121476	A1	5/2011	Batchelder et al.
			2011/0220781	A1	9/2011	Batchelder
			2012/0018924	A1	1/2012	Swanson et al.
			2012/0068378	A1	3/2012	Swanson et al.
			2012/0070523	A1	3/2012	Swanson et al.

* cited by examiner

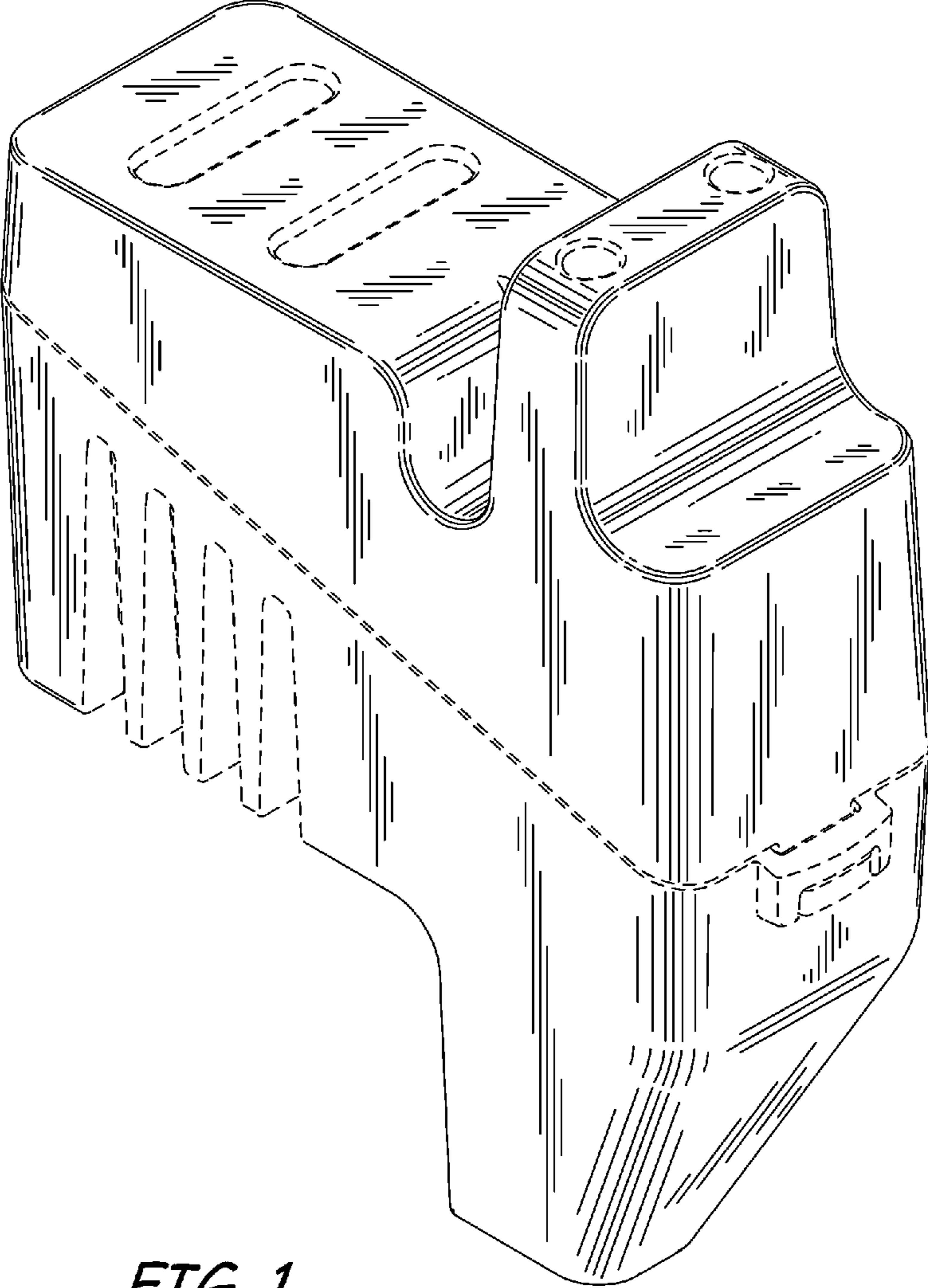


FIG. 1

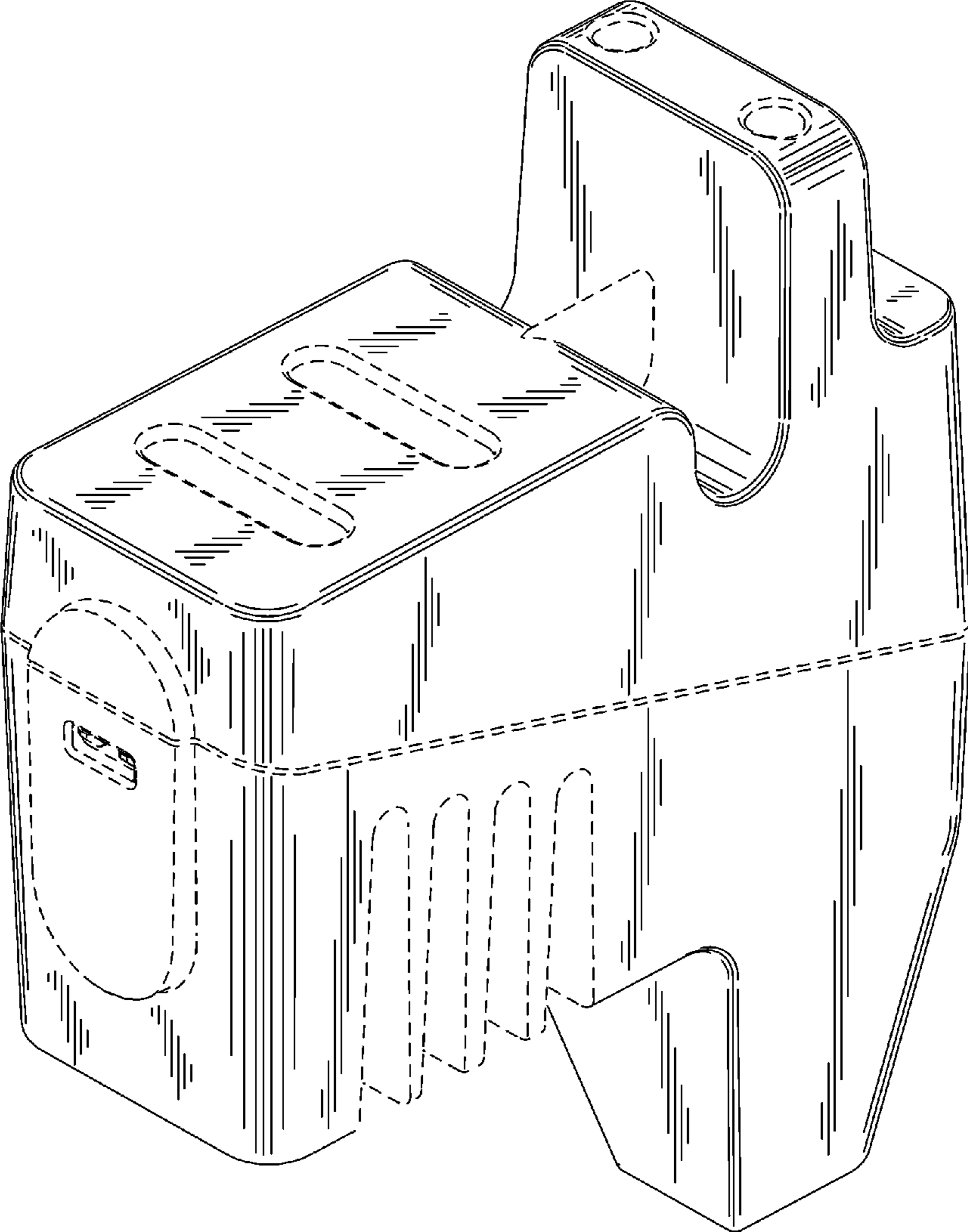


FIG. 2

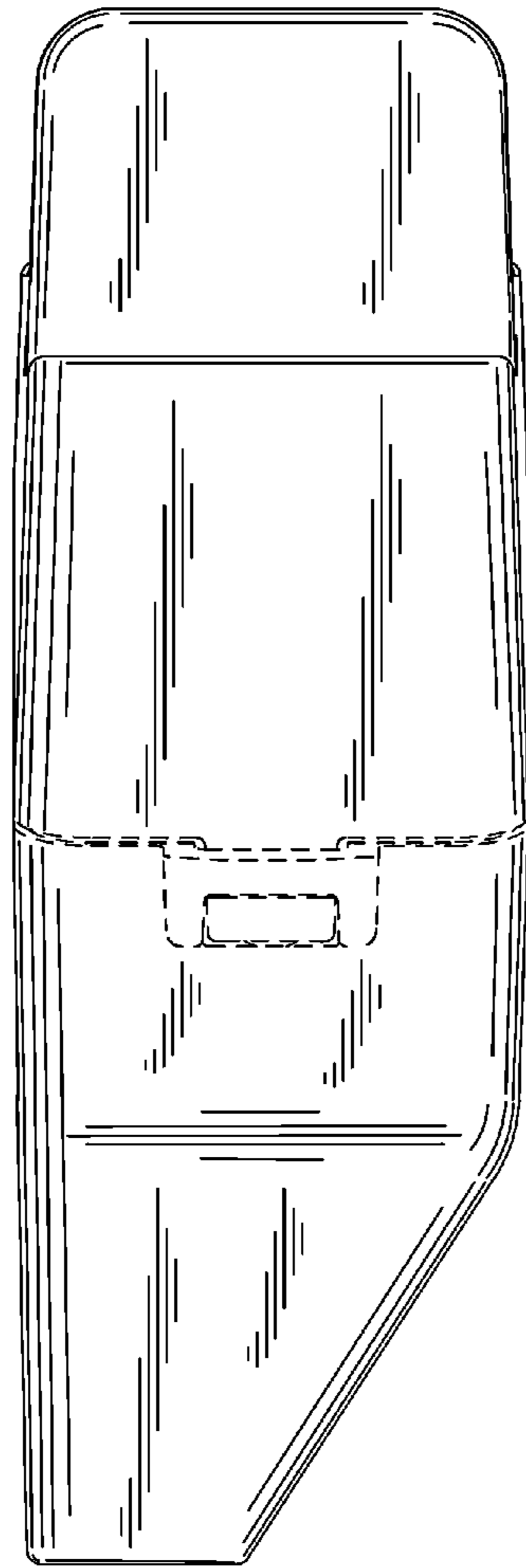


FIG. 3

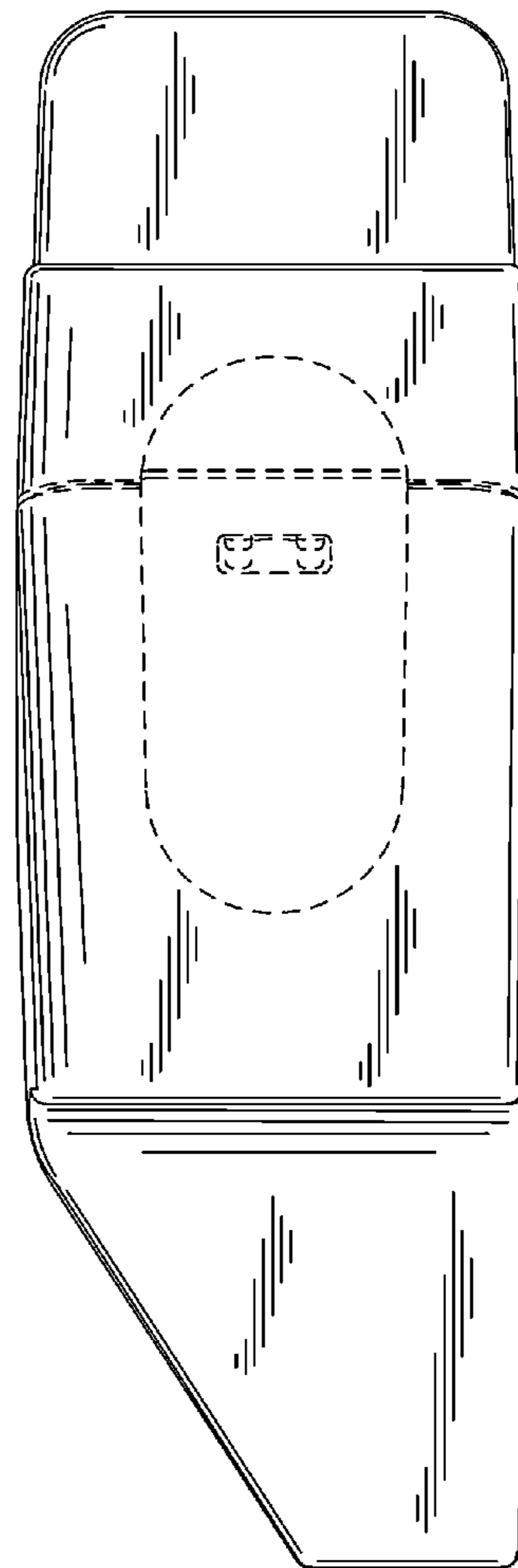


FIG. 4

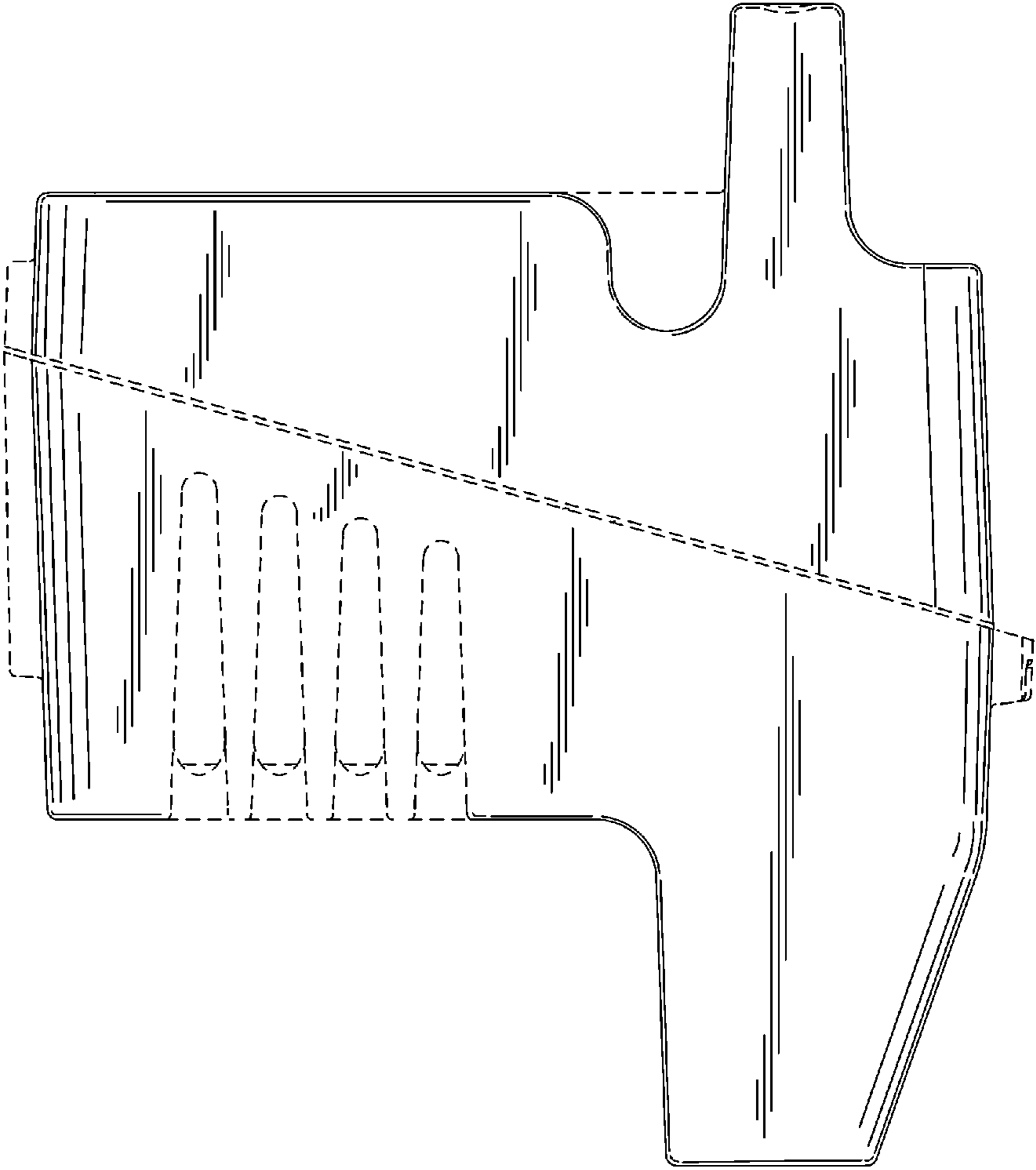


FIG. 5

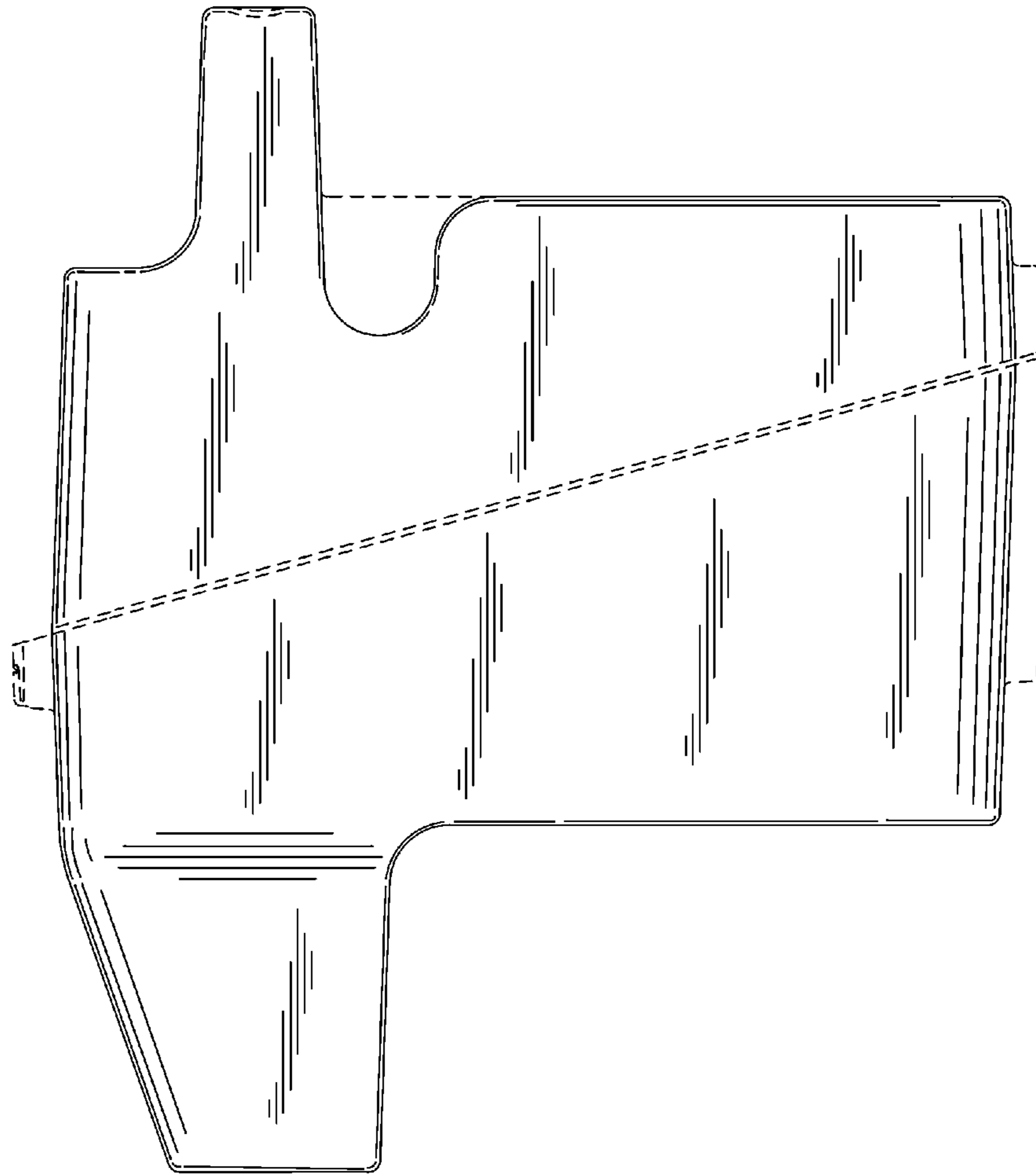


FIG. 6

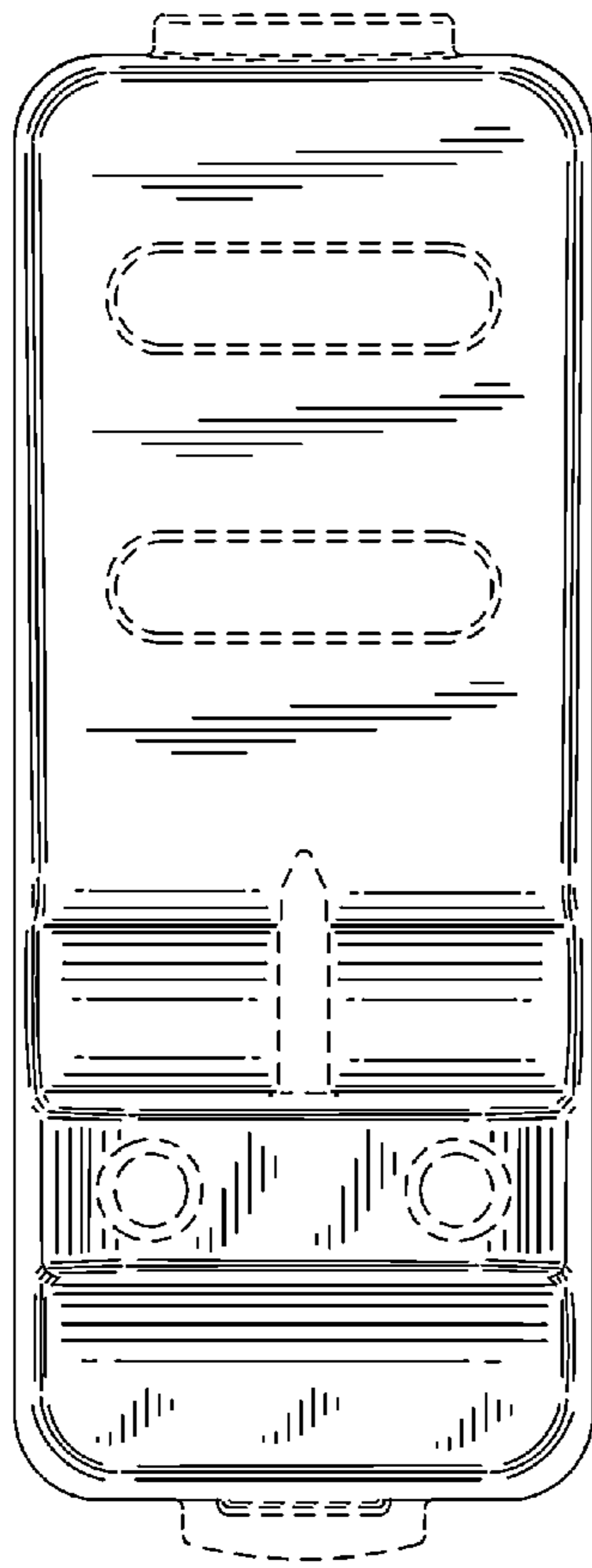


FIG. 7

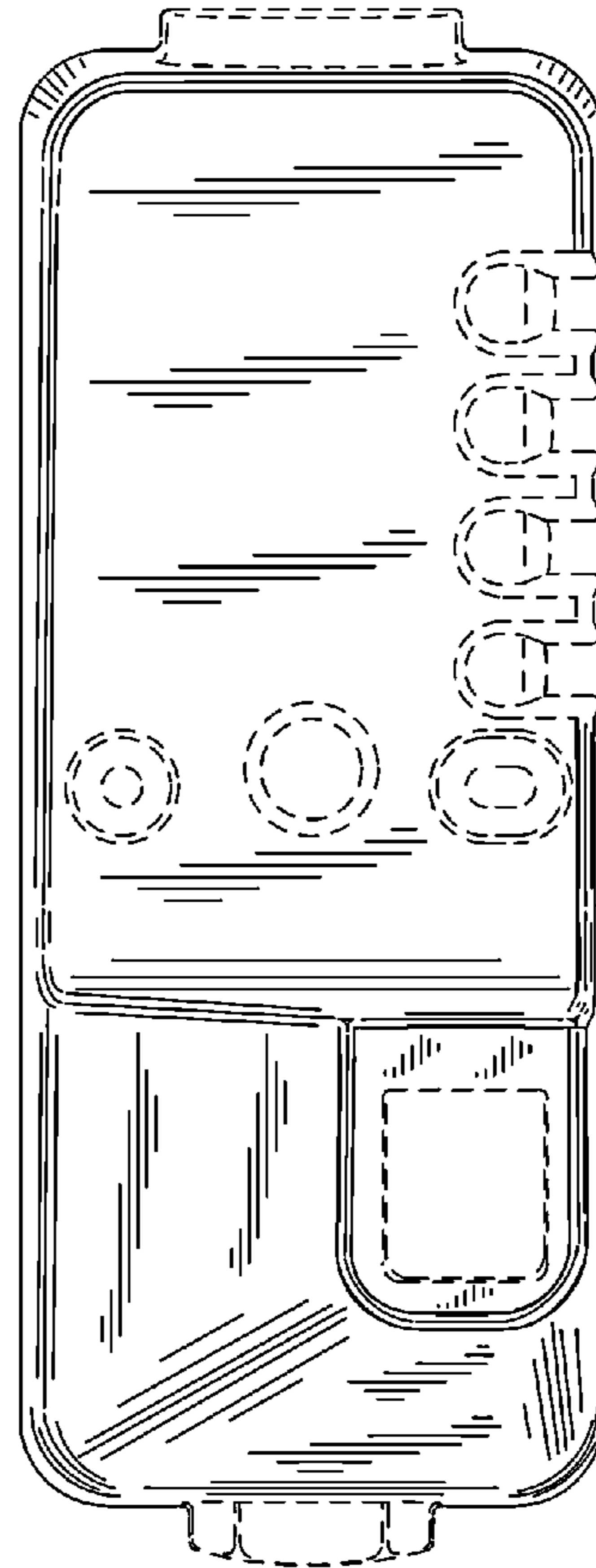


FIG. 8