



US00D673604S

(12) **United States Design Patent**  
**Nanno et al.**

(10) **Patent No.:** **US D673,604 S**  
(45) **Date of Patent:** **\*\* Jan. 1, 2013**

(54) **BUTTON FOR A PRINTER**  
(75) Inventors: **Tomoyuki Nanno**, Nagoya (JP);  
**Masahide Asano**, Nagoya (JP)  
(73) Assignee: **Brother Industries, Ltd.**, Nagoya (JP)  
(\*\*) Term: **14 Years**  
(21) Appl. No.: **29/380,084**  
(22) Filed: **Nov. 30, 2010**

|              |         |                 |       |        |
|--------------|---------|-----------------|-------|--------|
| D518,090 S * | 3/2006  | Massey et al.   | ..... | D18/50 |
| D525,292 S * | 7/2006  | Inoue et al.    | ..... | D18/50 |
| D532,450 S * | 11/2006 | Smith et al.    | ..... | D18/55 |
| D534,208 S * | 12/2006 | Hwang et al.    | ..... | D18/50 |
| D540,852 S * | 4/2007  | Huang et al.    | ..... | D18/50 |
| D544,908 S * | 6/2007  | Gant et al.     | ..... | D18/56 |
| D555,194 S * | 11/2007 | Smith et al.    | ..... | D18/55 |
| D558,820 S * | 1/2008  | Hong et al.     | ..... | D18/50 |
| D562,886 S * | 2/2008  | Egami et al.    | ..... | D18/55 |
| D579,489 S * | 10/2008 | Kanno et al.    | ..... | D18/50 |
| D607,046 S * | 12/2009 | Sato            | ..... | D18/50 |
| D611,091 S * | 3/2010  | Ishikawa et al. | ..... | D18/55 |

\* cited by examiner

(30) **Foreign Application Priority Data**

Jun. 9, 2010 (JP) ..... 2010-014149  
(51) **LOC (9) Cl.** ..... **18-02**  
(52) **U.S. Cl.** ..... **D18/56; D18/50**  
(58) **Field of Classification Search** ..... D14/420-425,  
D14/463-470; D18/14, 19, 36-37, 50, 54,  
D18/54.1, 55; 400/613, 613.1-613.4, 690,  
400/690.1-690.4, 691-694  
See application file for complete search history.

*Primary Examiner* — Cathy A MacCormac

(74) *Attorney, Agent, or Firm* — Oliff & Berridge, PLC

(57) **CLAIM**

The ornamental design for a button for a printer, as shown and described.

**DESCRIPTION**

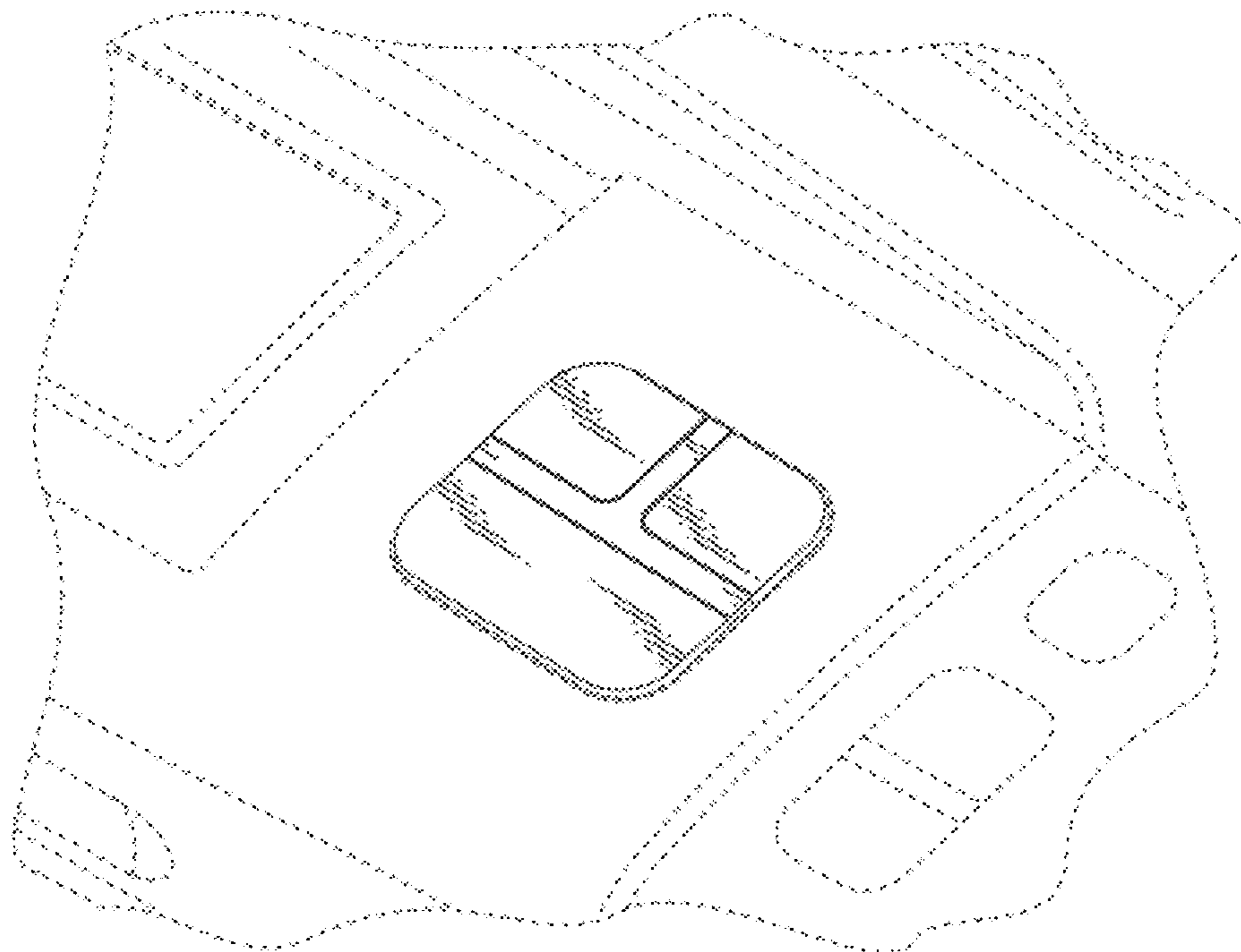
FIG. 1 is a perspective view of a button for a printer;  
FIG. 2 is an enlarged partial perspective view thereof;  
FIG. 3 is an enlarged partial front view thereof;  
FIG. 4 is an enlarged partial top view thereof;  
FIG. 5 is an enlarged partial right-side view thereof; and,  
FIG. 6 is an enlarged partial left-side view thereof.  
The broken lines depict environmental subject matter only  
and form no part of the claimed design.

(56) **References Cited**

U.S. PATENT DOCUMENTS

|              |         |                |       |           |
|--------------|---------|----------------|-------|-----------|
| D266,849 S * | 11/1982 | Meister et al. | ..... | D18/54    |
| D428,419 S * | 7/2000  | Nakamura       | ..... | D14/467   |
| D483,380 S * | 12/2003 | Yamaguchi      | ..... | D14/471   |
| D514,123 S * | 1/2006  | Naruki et al.  | ..... | D14/203.3 |

**1 Claim, 6 Drawing Sheets**



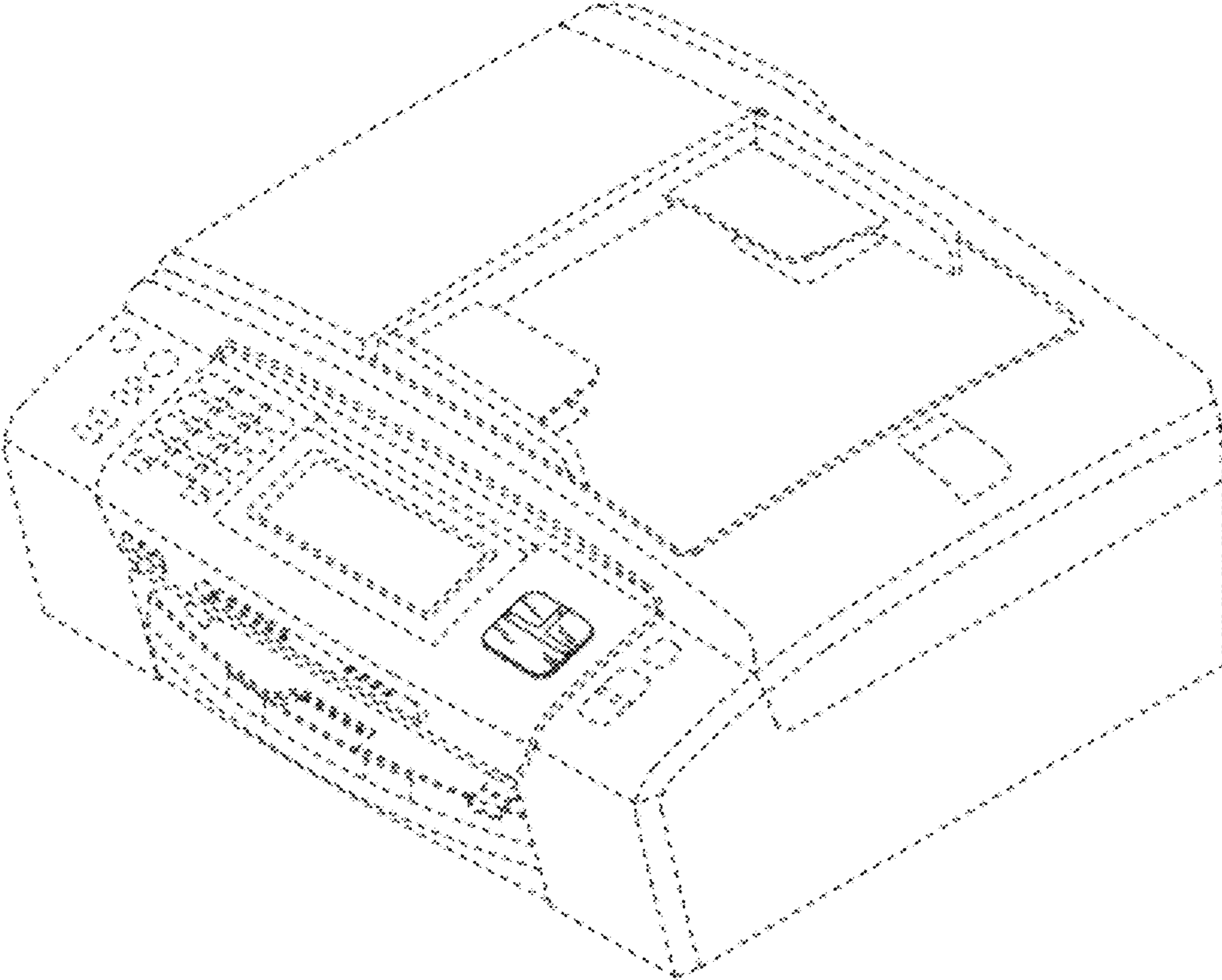


FIG. 1

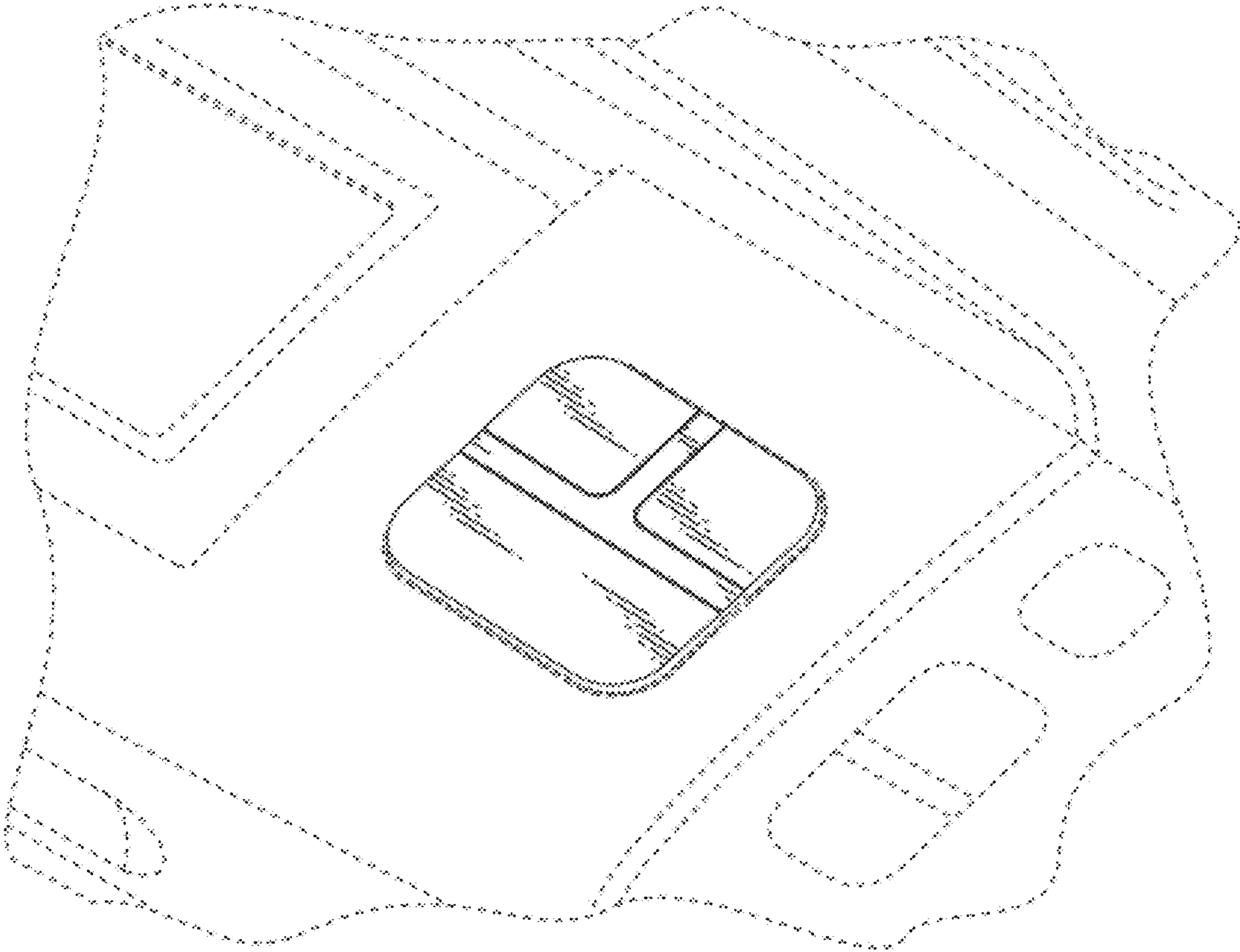


FIG. 2

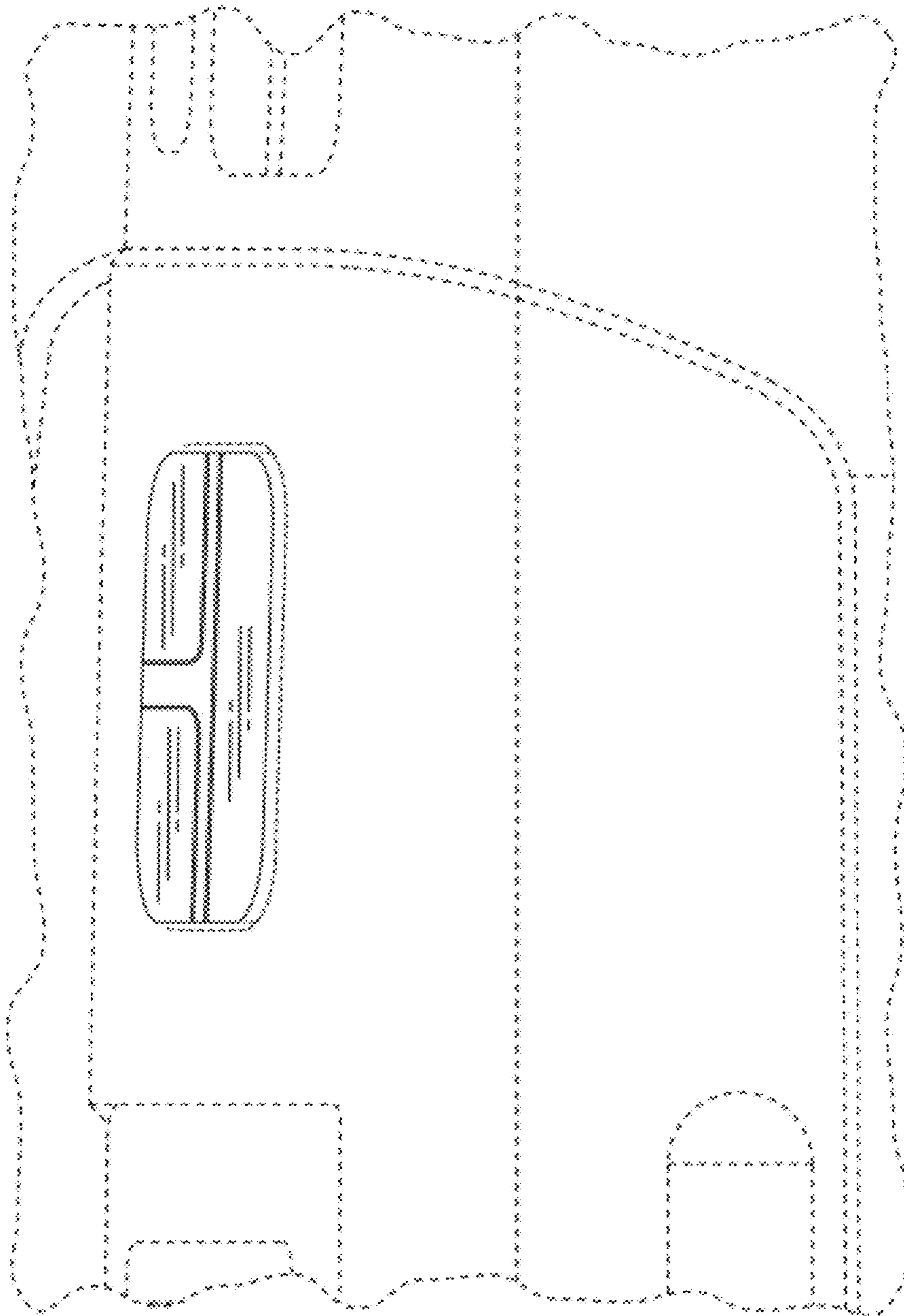


FIG. 3

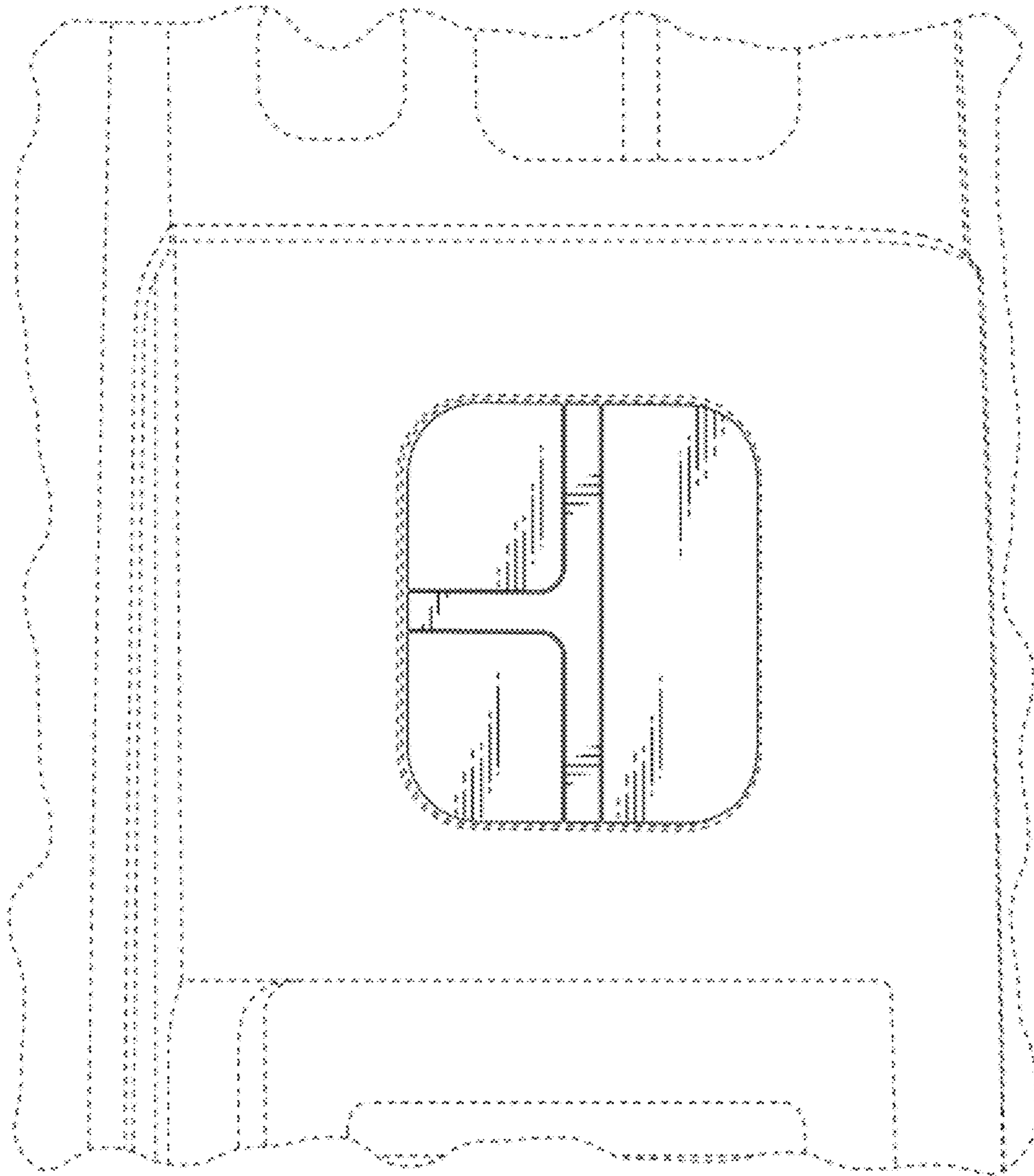


FIG. 4

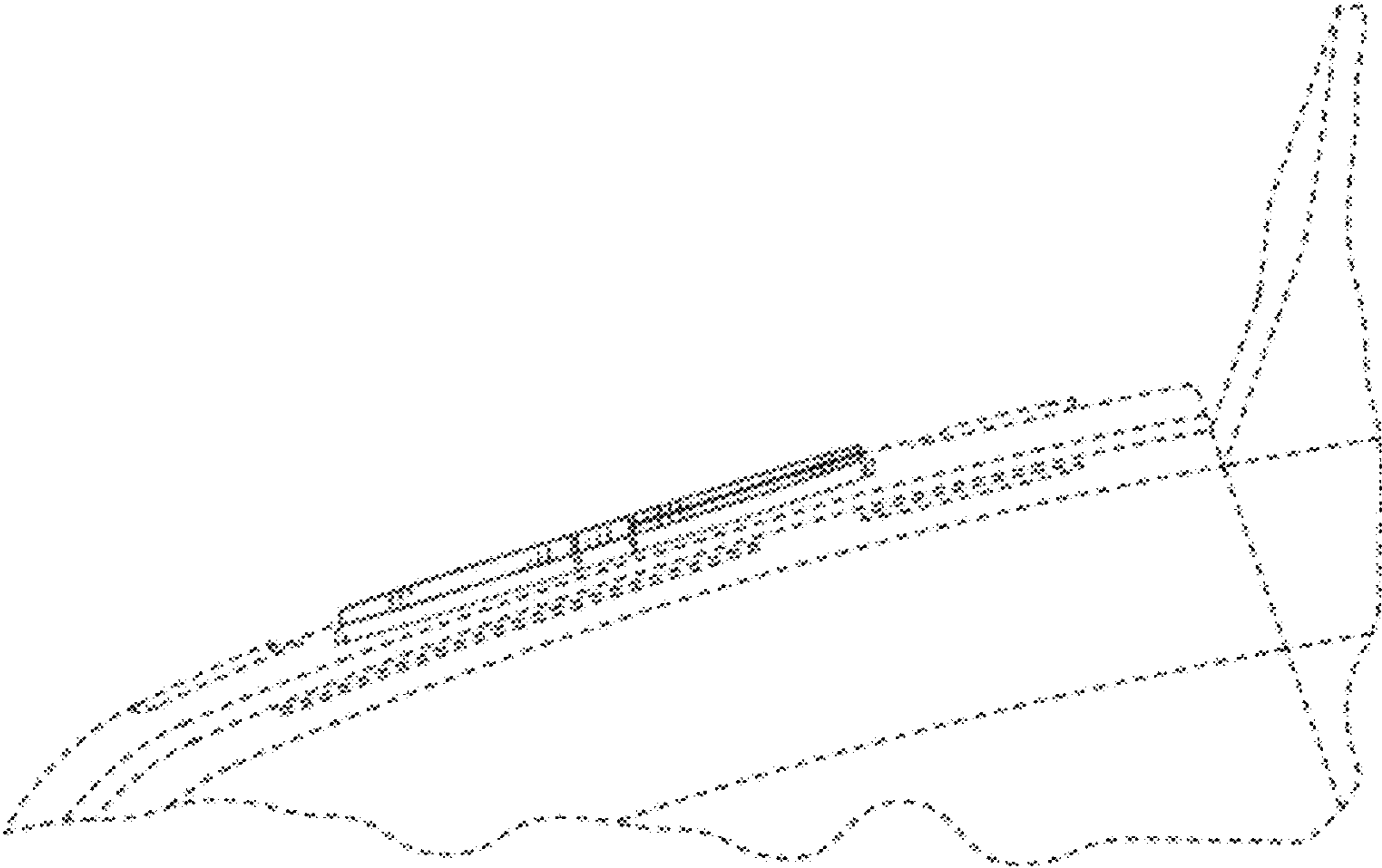


FIG. 5

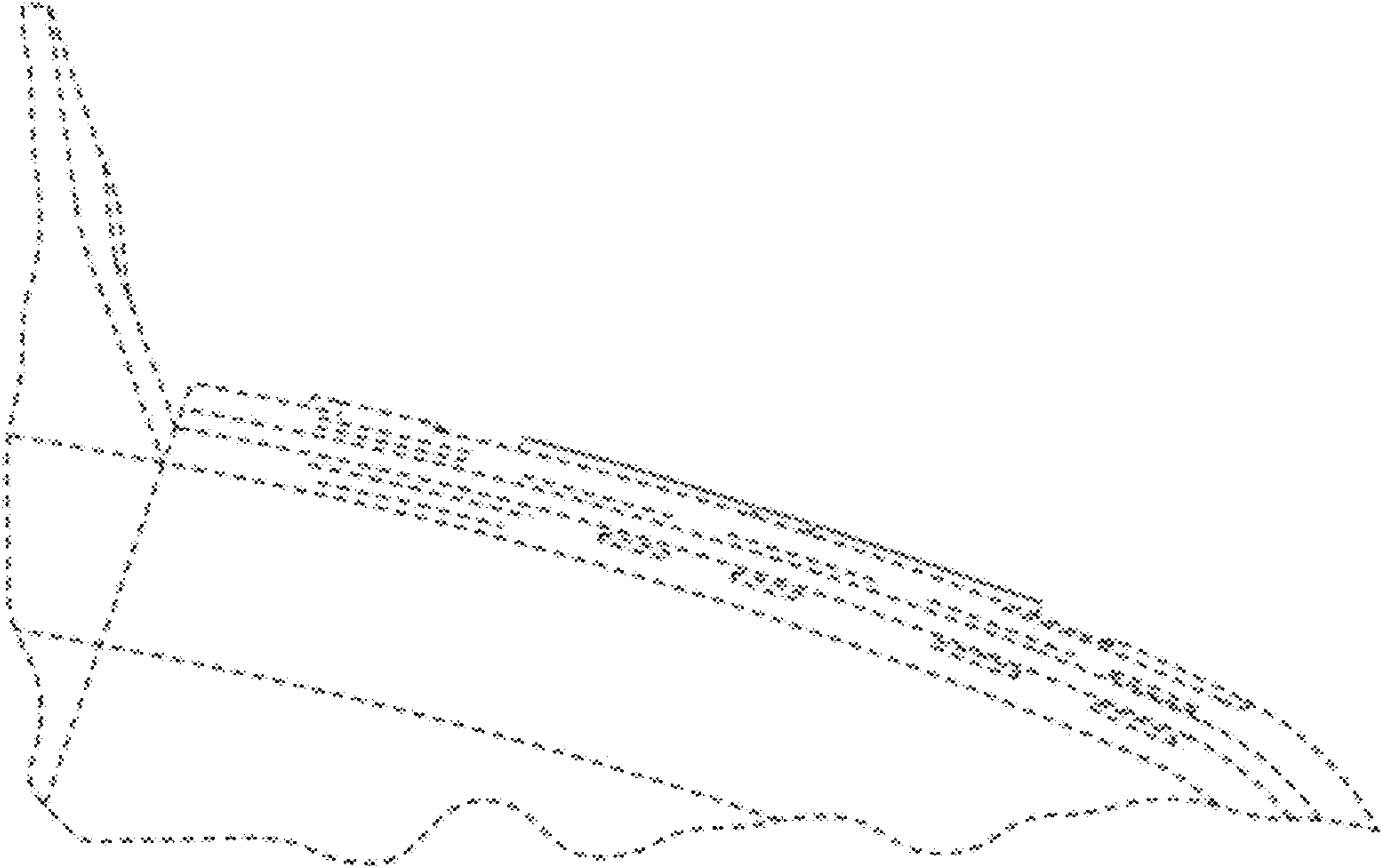


FIG. 6