



US00D673603S

(12) **United States Design Patent**
Suzuki et al.

(10) **Patent No.:** **US D673,603 S**
(45) **Date of Patent:** **** Jan. 1, 2013**

- (54) **PRINTER**
- (75) Inventors: **Jiro Suzuki**, Nagoya (JP); **Yusaku Seki**, Nagoya (JP)
- (73) Assignee: **Brother Industries, Ltd.**, Nagoya (JP)
- (**) Term: **14 Years**
- (21) Appl. No.: **29/416,893**
- (22) Filed: **Mar. 28, 2012**

D584,344 S *	1/2009	Lee et al.	D18/43
D586,385 S	2/2009	Kim et al.		
D589,084 S *	3/2009	Suzuki et al.	D18/36
D596,227 S	7/2009	Larson et al.		
D613,792 S *	4/2010	Suzuki et al.	D18/55
D614,235 S *	4/2010	Nakata	D18/55
D616,927 S	6/2010	Suzuki et al.		
D633,555 S *	3/2011	Egami	D18/50
D633,556 S	3/2011	Park et al.		
D639,581 S	6/2011	Penke et al.		
D641,778 S *	7/2011	Lee et al.	D18/55
D643,464 S *	8/2011	Sato et al.	D18/55
D647,133 S	10/2011	Sato et al.		
8,155,556 B2 *	4/2012	Moribe et al.	D18/50
D661,345 S *	6/2012	Asano et al.	D18/50

Related U.S. Application Data

- (62) Division of application No. 29/390,660, filed on Apr. 28, 2011.

Foreign Application Priority Data

- Oct. 28, 2010 (JP) 2010-25970
- Oct. 28, 2010 (JP) 2010-25971

- (51) **LOC (9) Cl.** **14-02**
- (52) **U.S. Cl.** **D18/55**

- (58) **Field of Classification Search** D18/14, D18/19, 36-37, 50, 54, 54.1, 55; D14/452-425, D14/463-470; 400/613, 613.1-613.4, 690, 400/690.1-690.4, 691-694
See application file for complete search history.

References Cited

U.S. PATENT DOCUMENTS

- D534,578 S 1/2007 Katayama et al.
- D545,357 S 6/2007 Hattori et al.
- D574,886 S * 8/2008 Mase et al. D18/55
- D575,330 S 8/2008 Egami et al.
- D579,973 S 11/2008 Park et al.
- D581,976 S * 12/2008 Park et al. D18/55

OTHER PUBLICATIONS

Apr. 4, 2012 Office Action issued in U.S. Appl. No. 29/390,660.

* cited by examiner

Primary Examiner — Cathy A MacCormac

(74) *Attorney, Agent, or Firm* — Oliff & Berridge, PLC

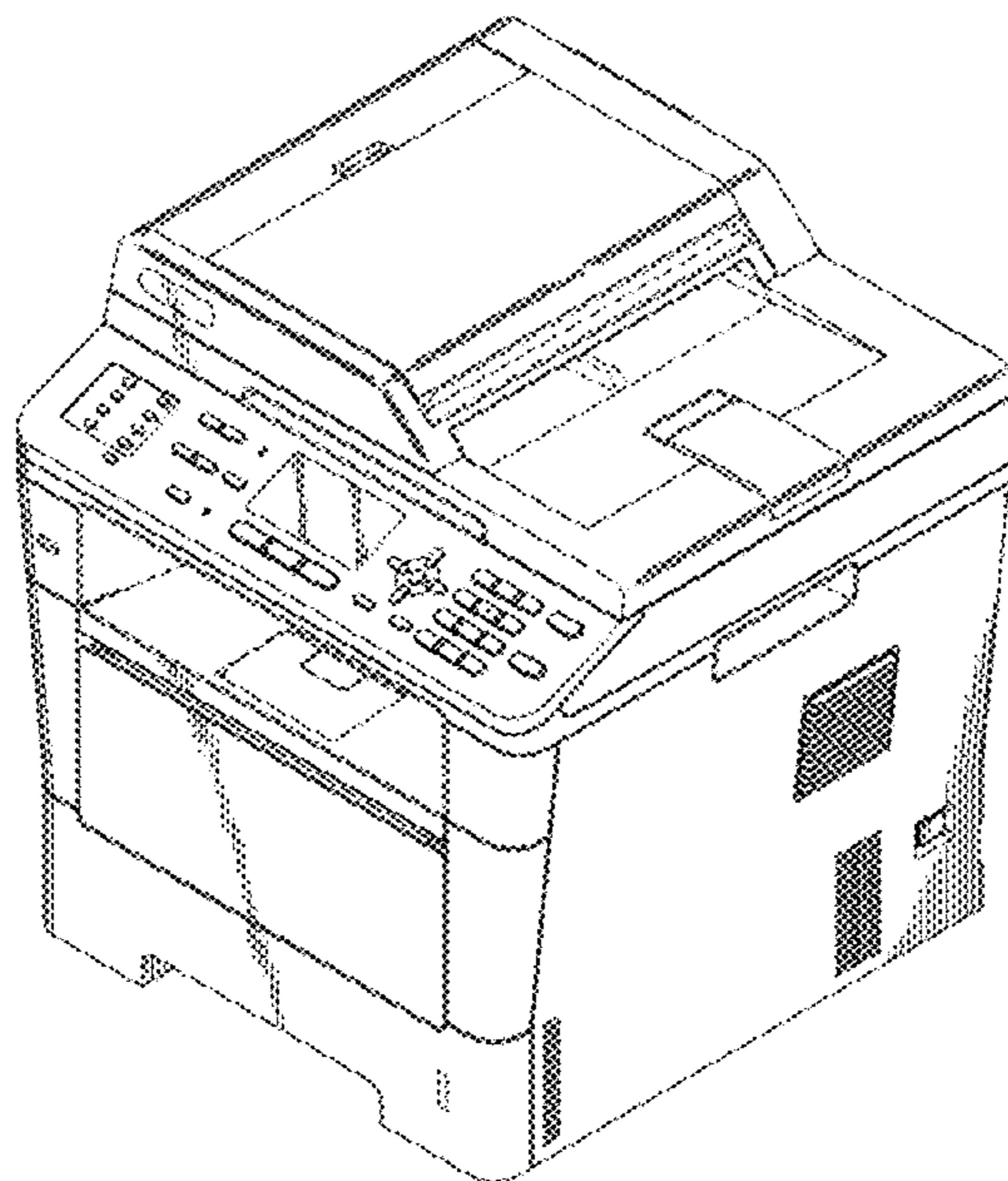
CLAIM

(57) The ornamental design for a printer, as shown and described.

DESCRIPTION

FIG. 1 is a perspective view of a printer;
 FIG. 2 is another perspective view thereof;
 FIG. 3 front view thereof;
 FIG. 4 is a top view thereof;
 FIG. 5 is a right-side view thereof;
 FIG. 6 is a left-side view thereof;
 FIG. 7 is a rear view thereof; and,
 FIG. 8 is a bottom view thereof.
 The broken lines depict environmental subject matter only and form no part of the claimed design.

1 Claim, 8 Drawing Sheets



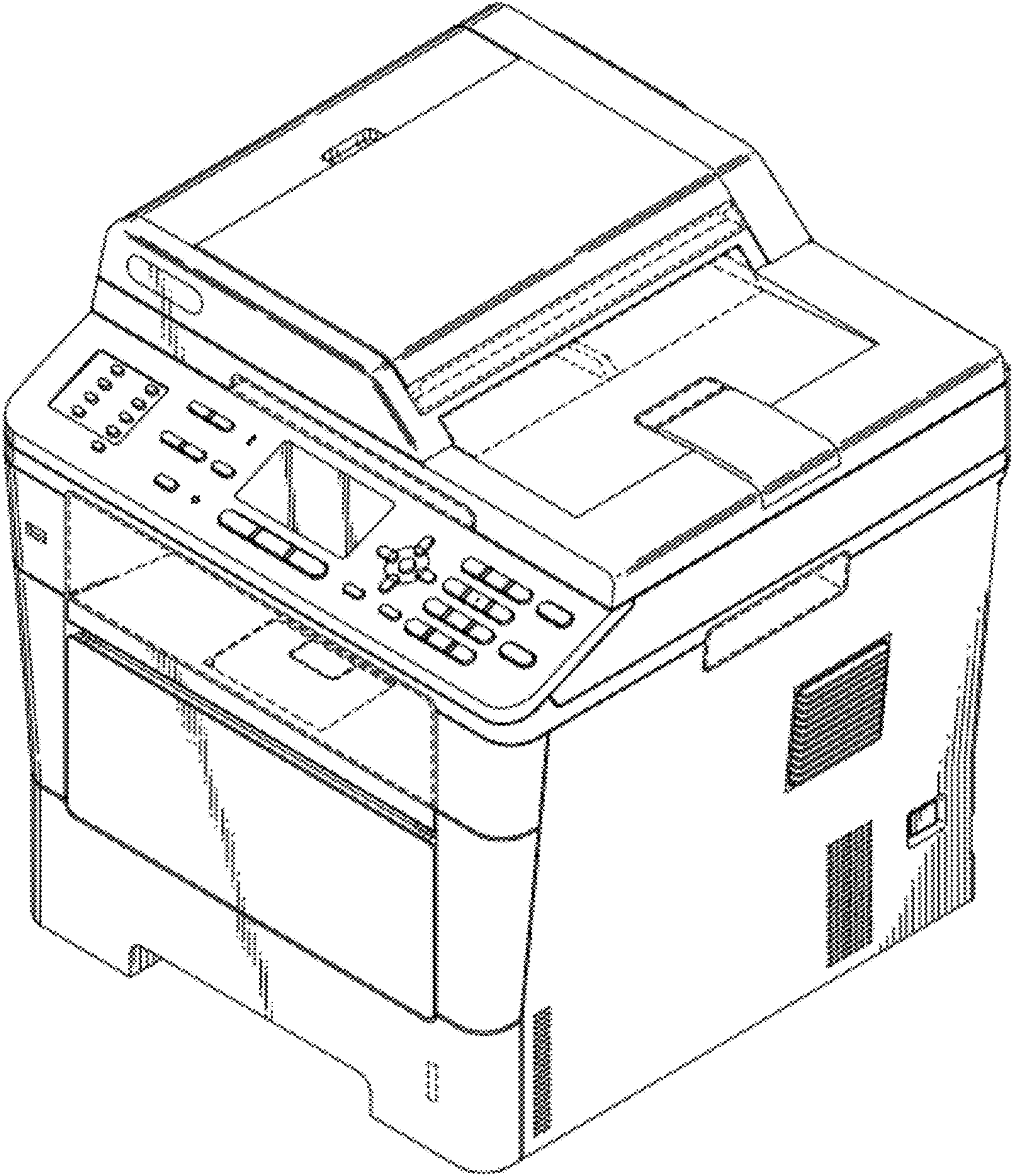


FIG. 1

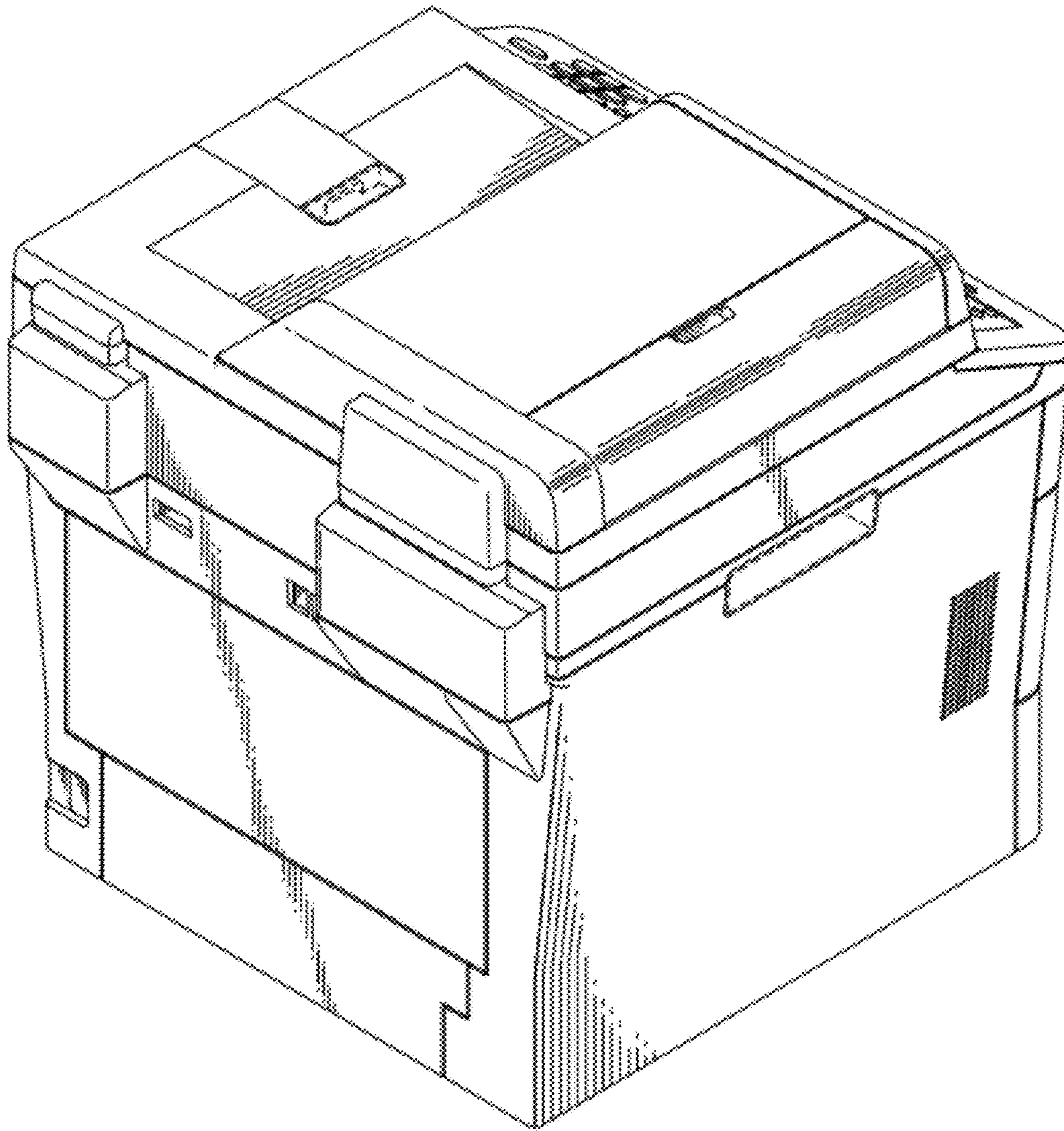


FIG. 2

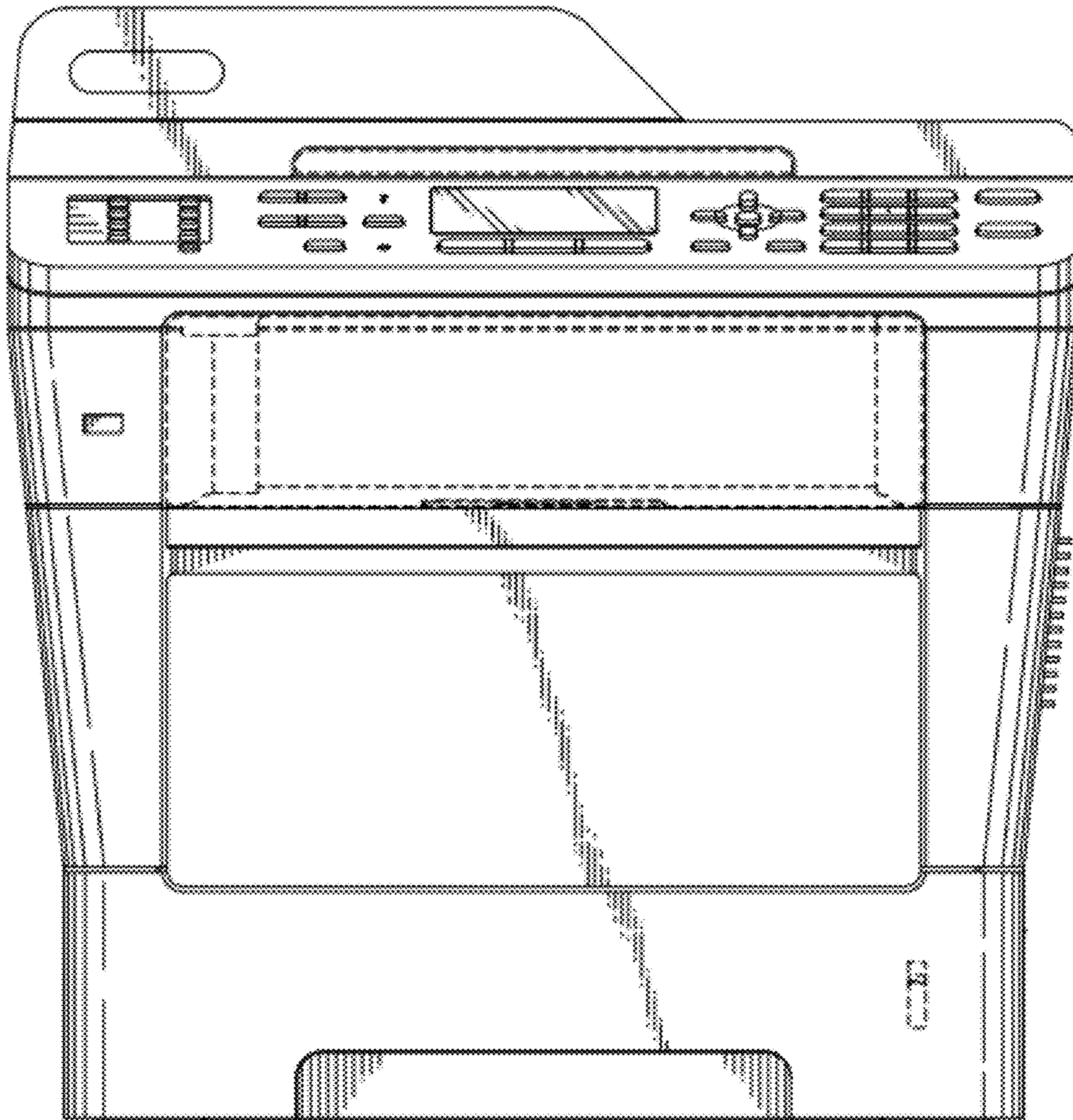


FIG. 3

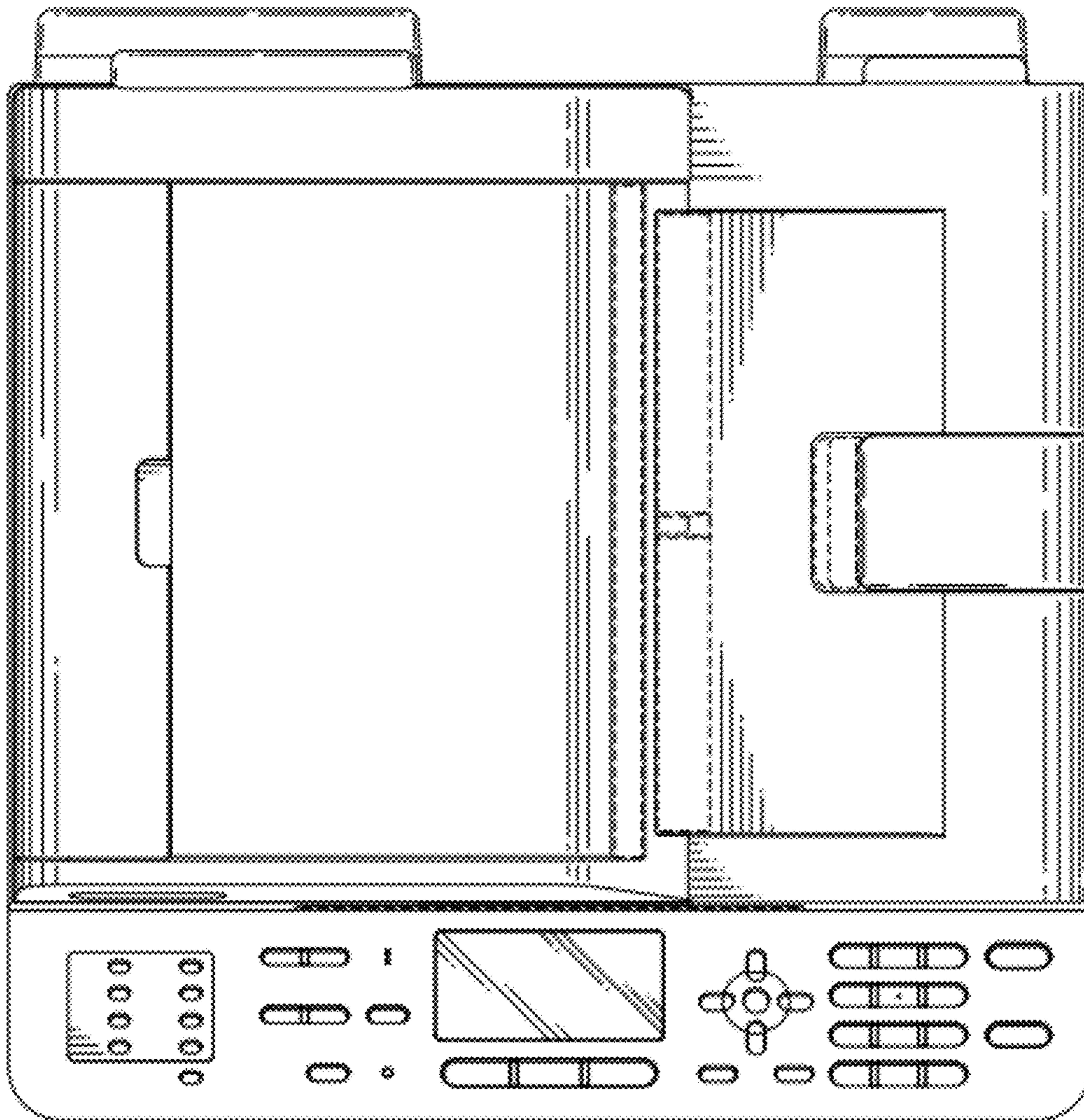


FIG. 4

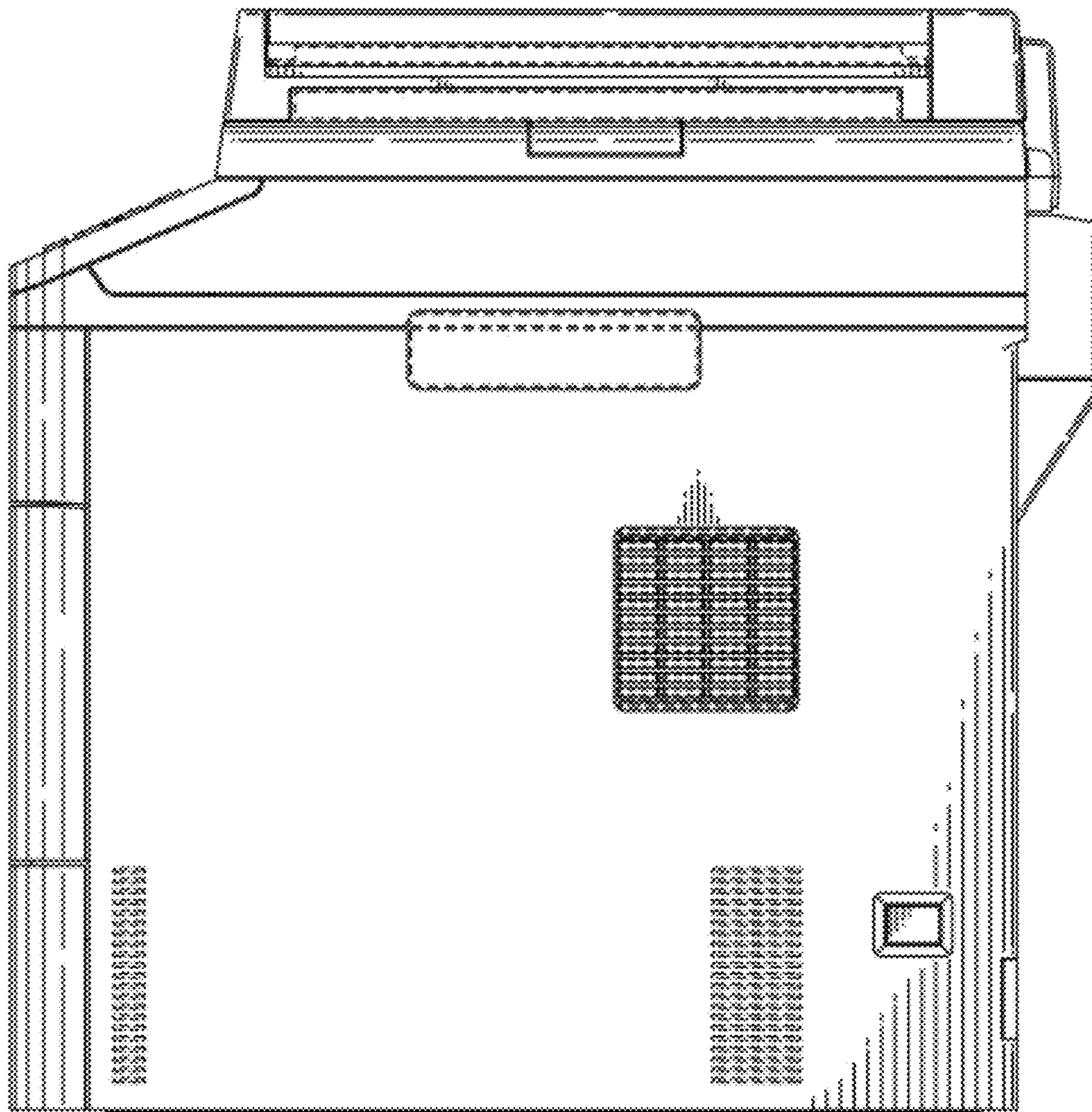


FIG. 5

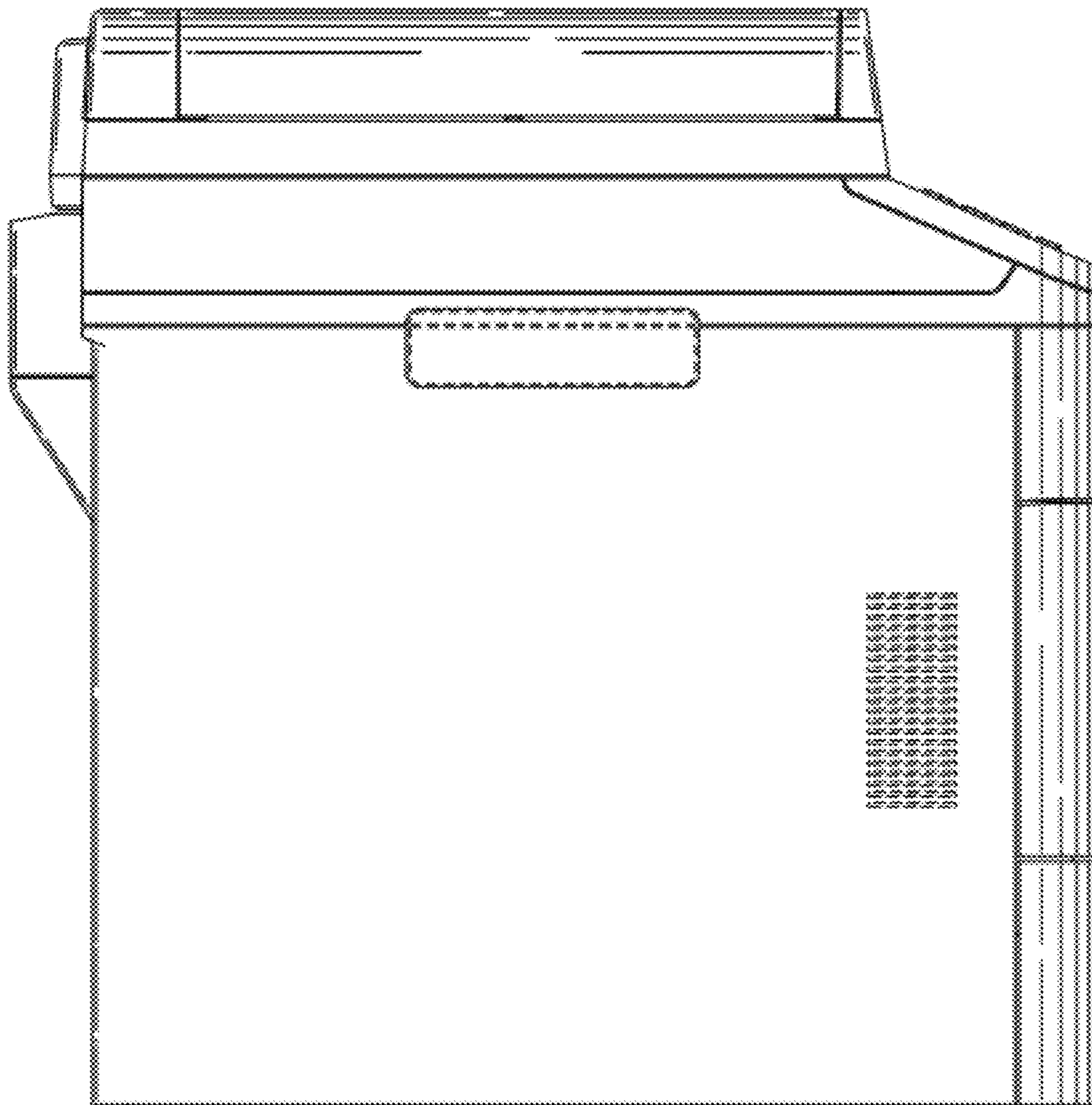


FIG. 6

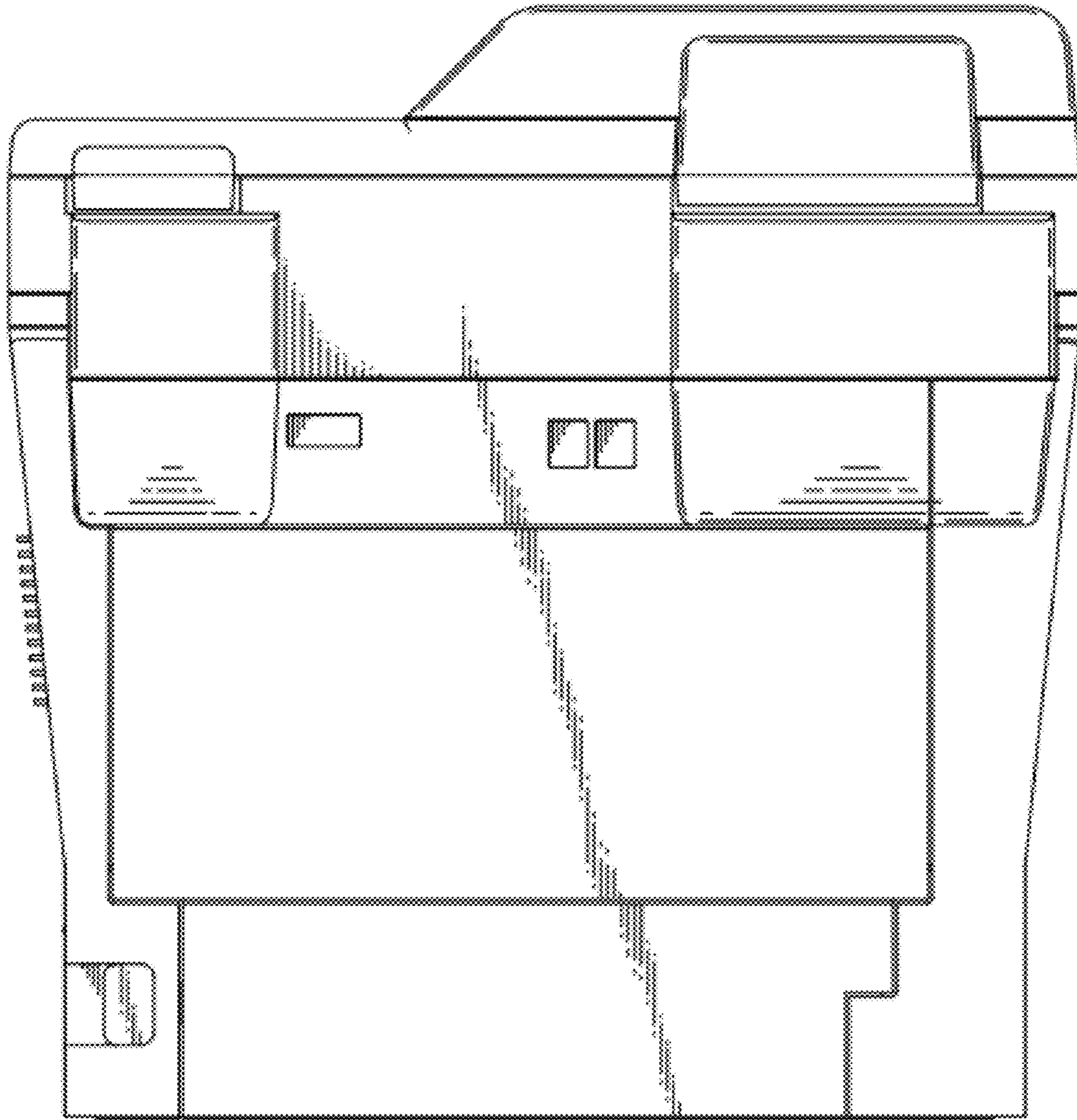


FIG. 7

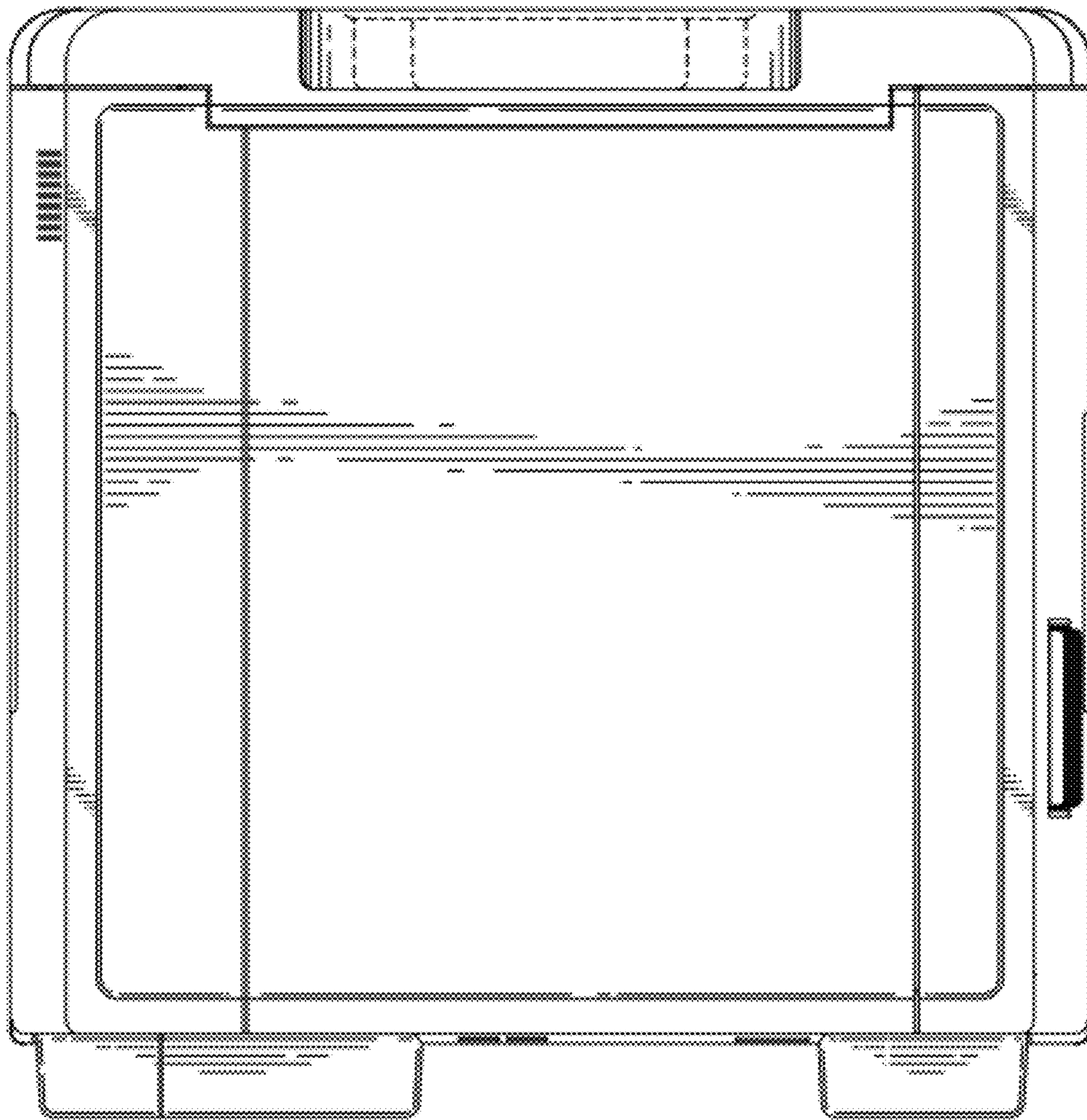


FIG. 8