



US00D673602S

(12) **United States Design Patent**  
**Szyszko**

(10) **Patent No.:** **US D673,602 S**  
(45) **Date of Patent:** **\*\* Jan. 1, 2013**

(54) **ROTARY SCREEN PRINTER**  
(76) Inventor: **Alexander Szyszko**, Temecula, CA (US)  
(\*\*) Term: **14 Years**  
(21) Appl. No.: **29/409,975**  
(22) Filed: **Dec. 30, 2011**  
(51) **LOC (9) Cl.** ..... **18-02**  
(52) **U.S. Cl.** ..... **D18/53**  
(58) **Field of Classification Search** ..... D18/53,  
D18/50, 55, 56, 59, 36-39, 46-49; D14/301,  
D14/303; 270/1.01; 271/8.1; 101/2; 358/1.1;  
355/78; 399/361  
See application file for complete search history.

(56) **References Cited**

**U.S. PATENT DOCUMENTS**

2,553,085	A	4/1951	Groce	
3,383,147	A *	5/1968	Proulx et al.	312/197
3,416,440	A	12/1968	Miller et al.	
3,427,964	A	2/1969	Vasilantone	
3,543,679	A	12/1970	Wahl	
D231,574	S	4/1974	Landesman	
D238,515	S	1/1976	Landesman	
4,084,504	A	4/1978	Fuchs	
D251,250	S *	3/1979	Levine	D18/38
D251,433	S *	3/1979	Levine	D18/38
4,981,074	A	1/1991	Machita et al.	
5,127,321	A *	7/1992	Proffer	101/115
5,189,950	A	3/1993	Eppinger	
5,315,929	A *	5/1994	Sundqvist	101/127.1
5,438,922	A *	8/1995	Bubley et al.	101/123

5,520,106	A	5/1996	Karlyn	
5,806,424	A *	9/1998	Elliot	101/127.1
5,996,486	A *	12/1999	Karlyn et al.	101/123
6,053,101	A *	4/2000	Hix	101/126
6,152,030	A	11/2000	Fuqua	
7,231,873	B2	6/2007	Macchi	
2003/0041752	A1 *	3/2003	Witte	101/128.21
2006/0207448	A1 *	9/2006	Fresener et al.	101/115
2006/0249039	A1	11/2006	Feldman et al.	
2007/0240589	A1 *	10/2007	Eppinger	101/126
2009/0314201	A1 *	12/2009	Baccini	118/500

\* cited by examiner

*Primary Examiner* — Bridget L Eland  
(74) *Attorney, Agent, or Firm* — Kirk A. Buhler; Buhler & Associates

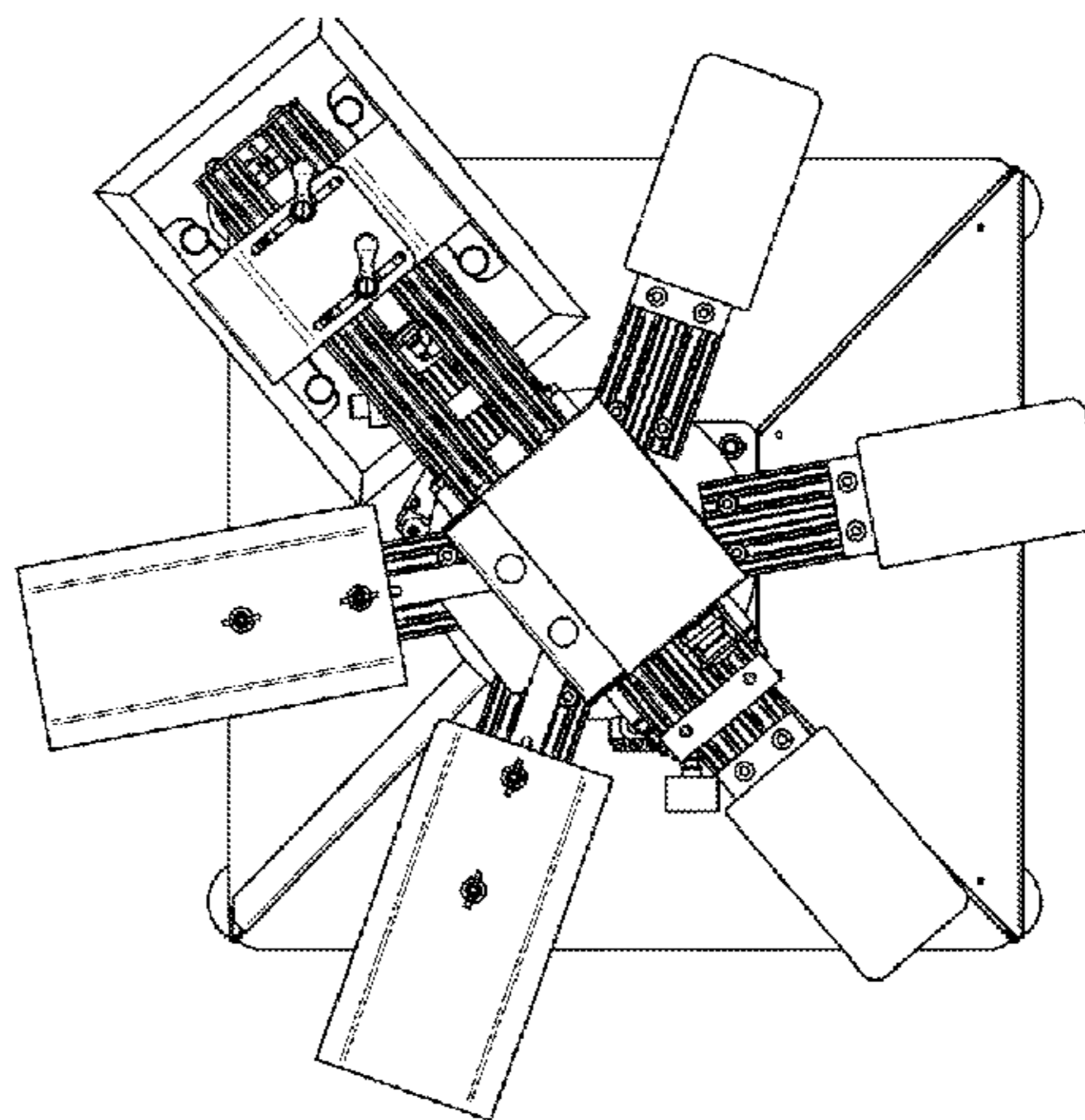
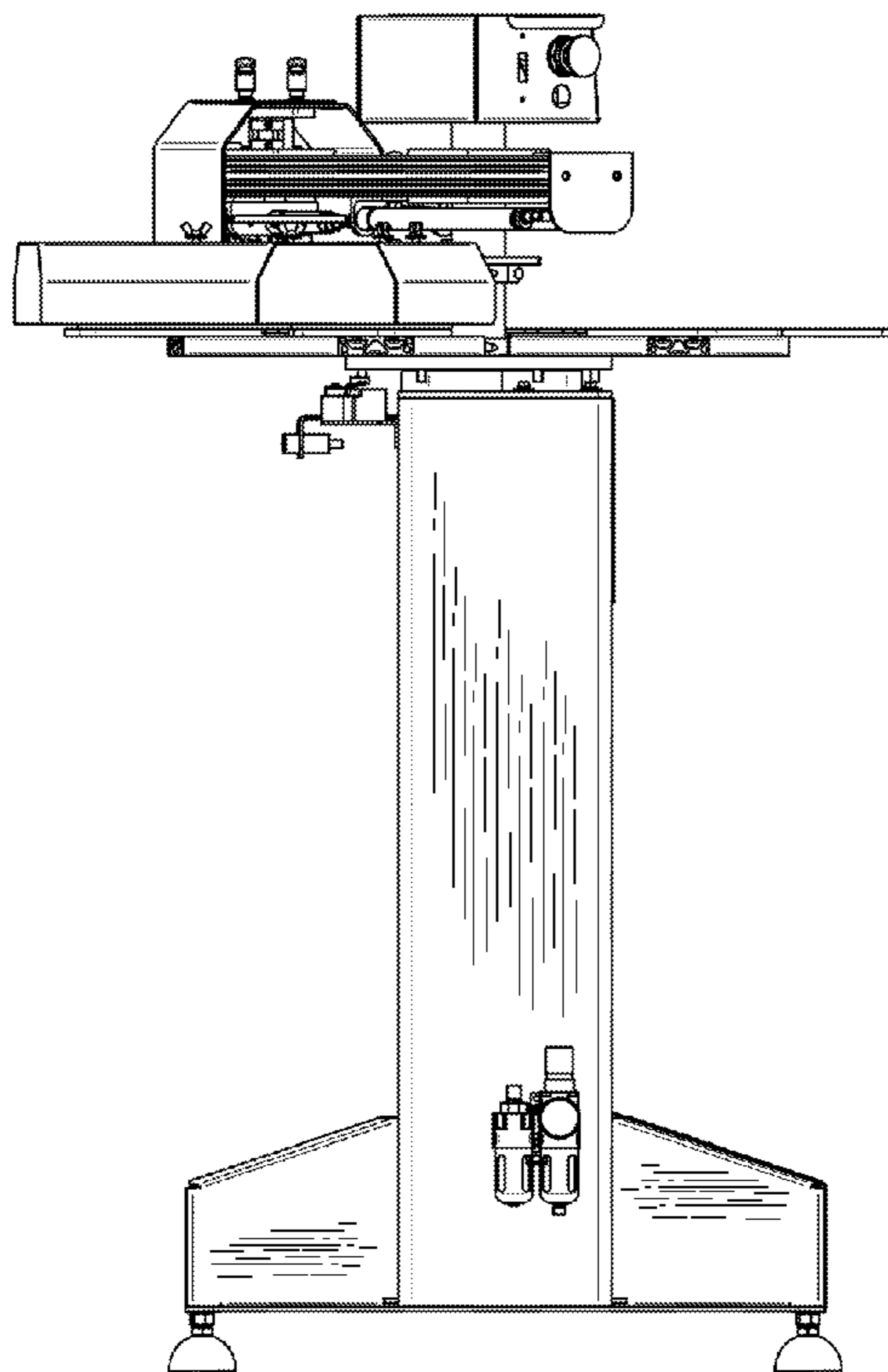
(57) **CLAIM**

The ornamental design for a rotary screen printer, as shown and described.

**DESCRIPTION**

FIG. 1 is a top, perspective view for a rotary screen printer showing my new design;  
FIG. 2 is a left side view thereof;  
FIG. 3 is a back side view thereof;  
FIG. 4 is a right side view thereof;  
FIG. 5 is a front side view thereof;  
FIG. 6 is a bottom side view thereof, and,  
FIG. 7 is a top side view.

**1 Claim, 6 Drawing Sheets**



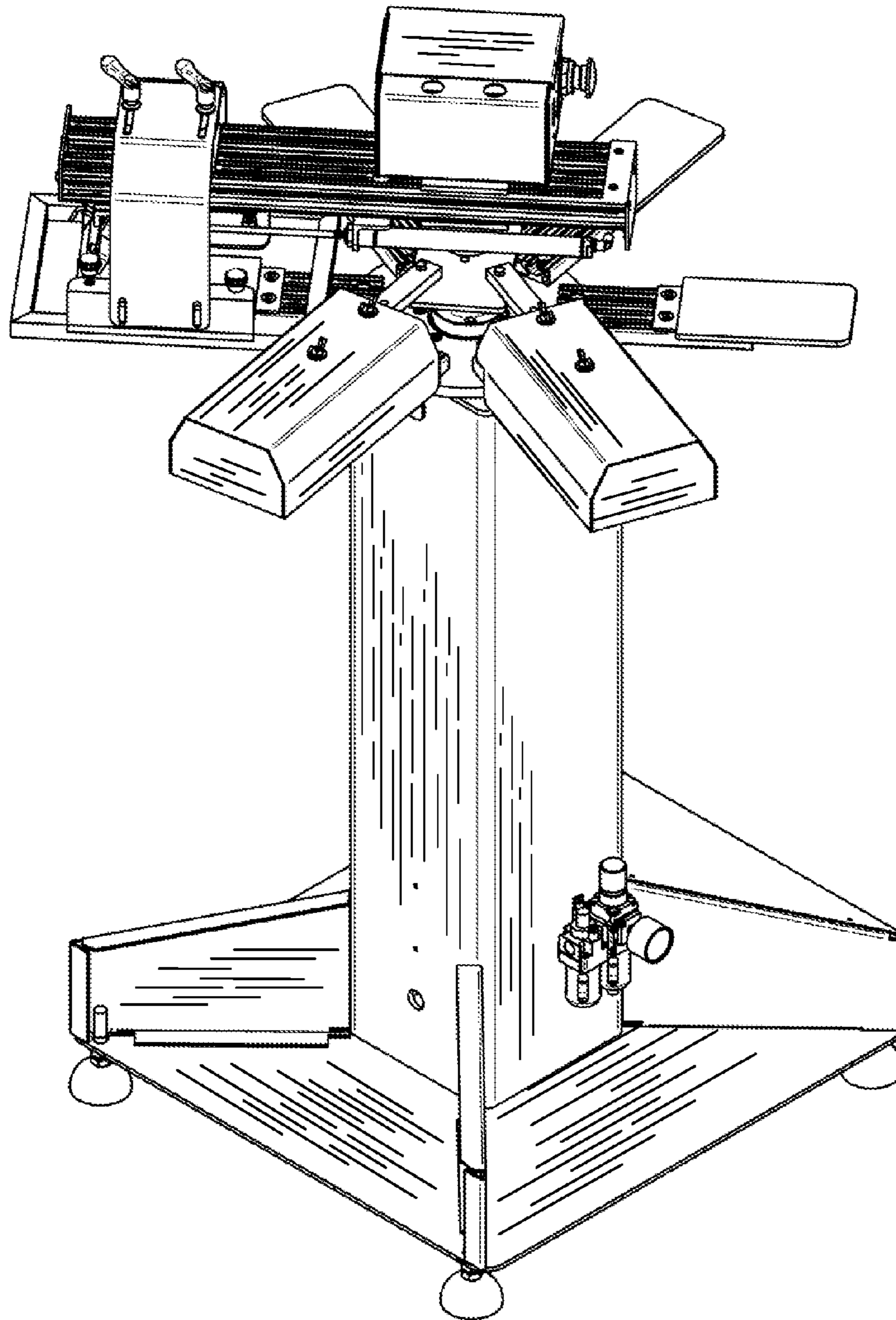


FIG. 1

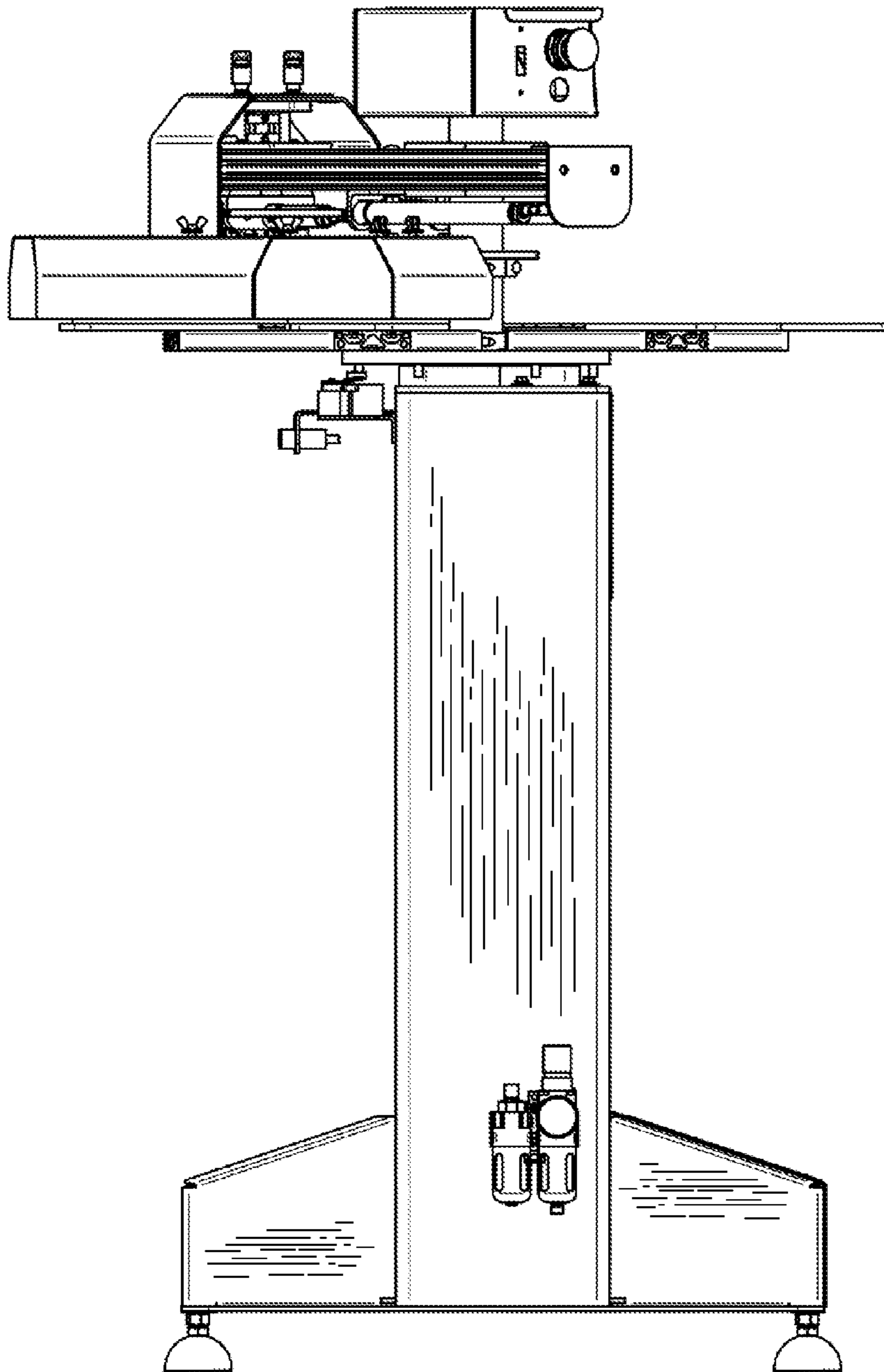


FIG. 2

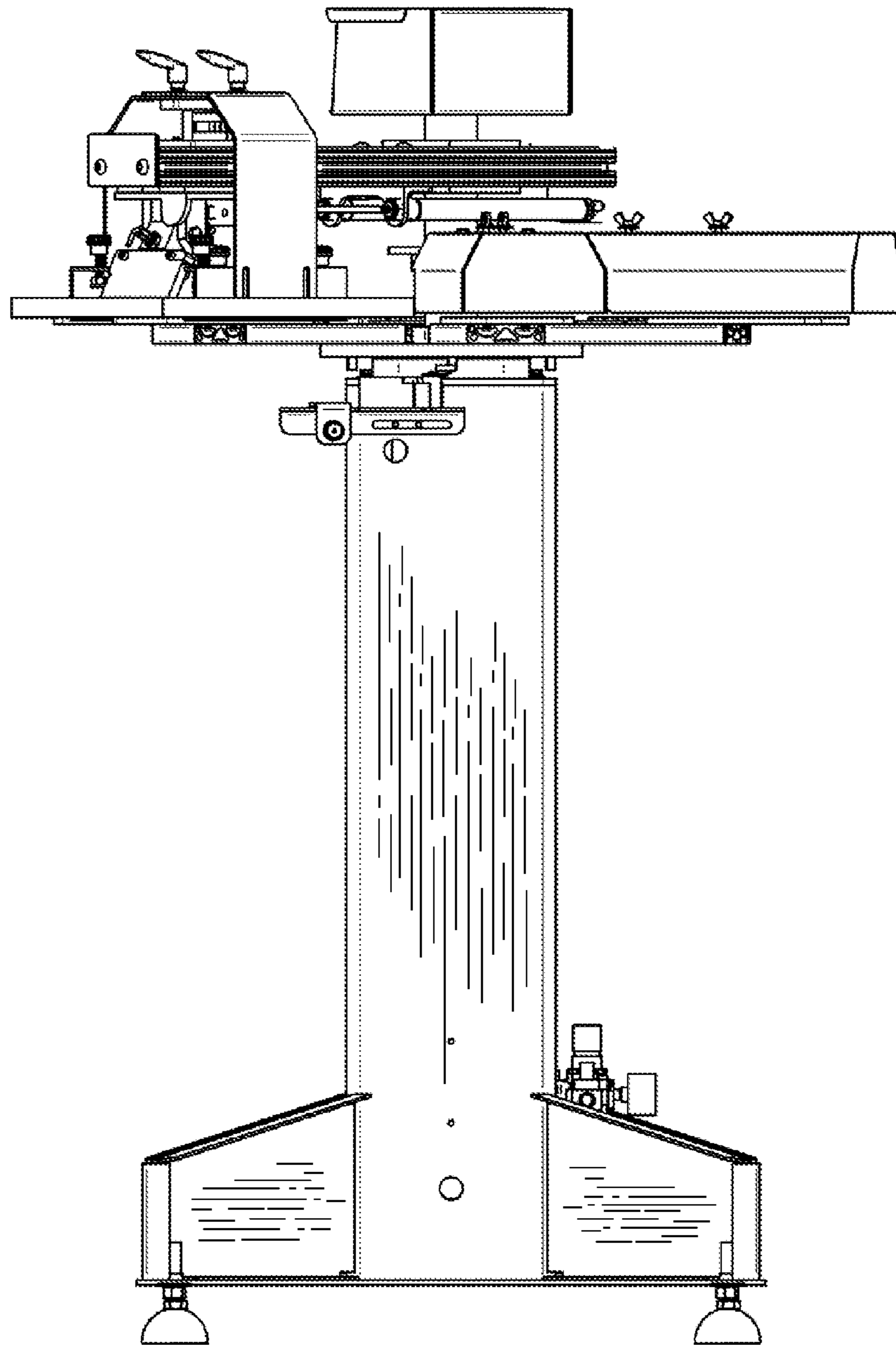


FIG. 3

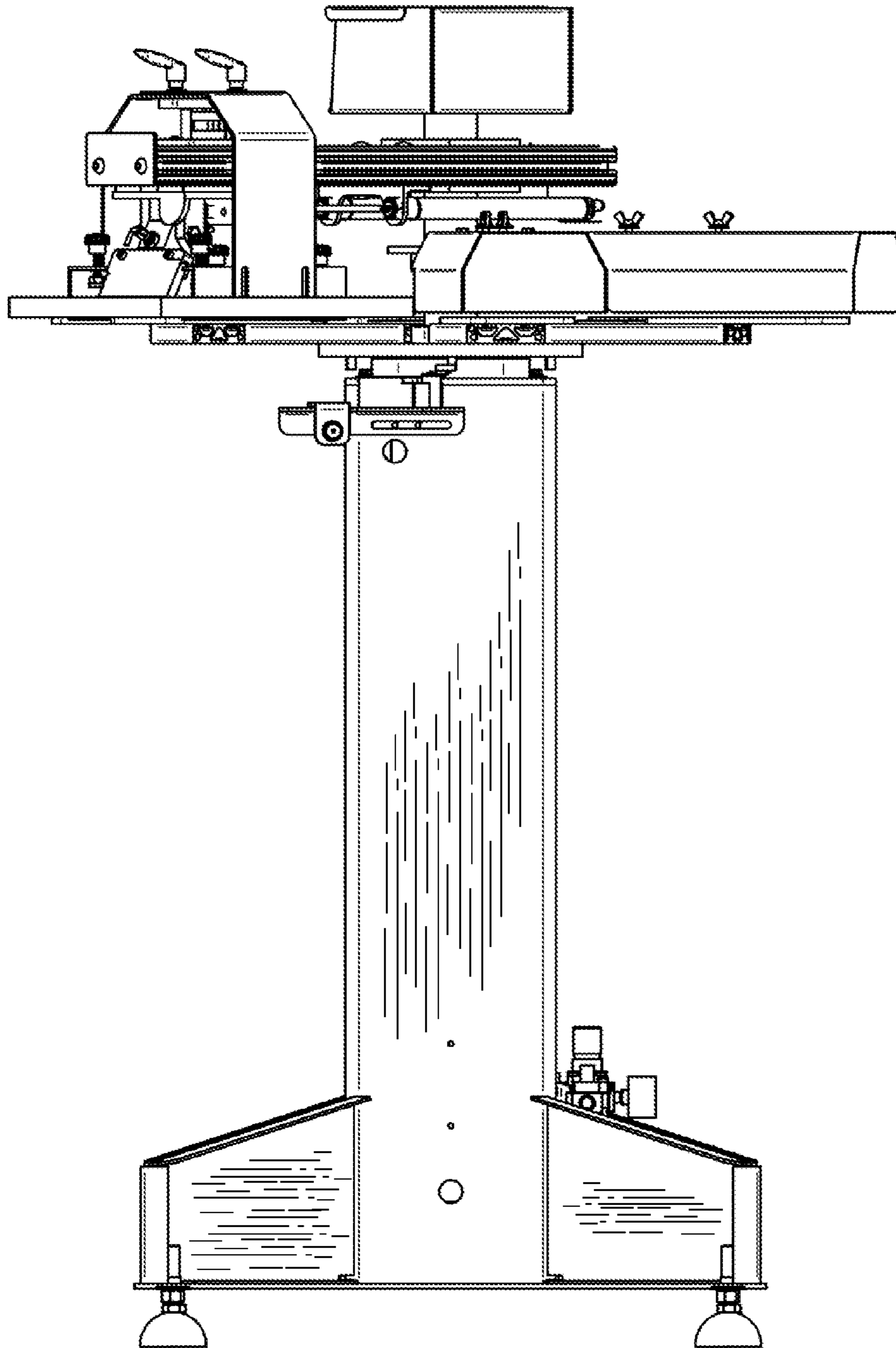


FIG. 4

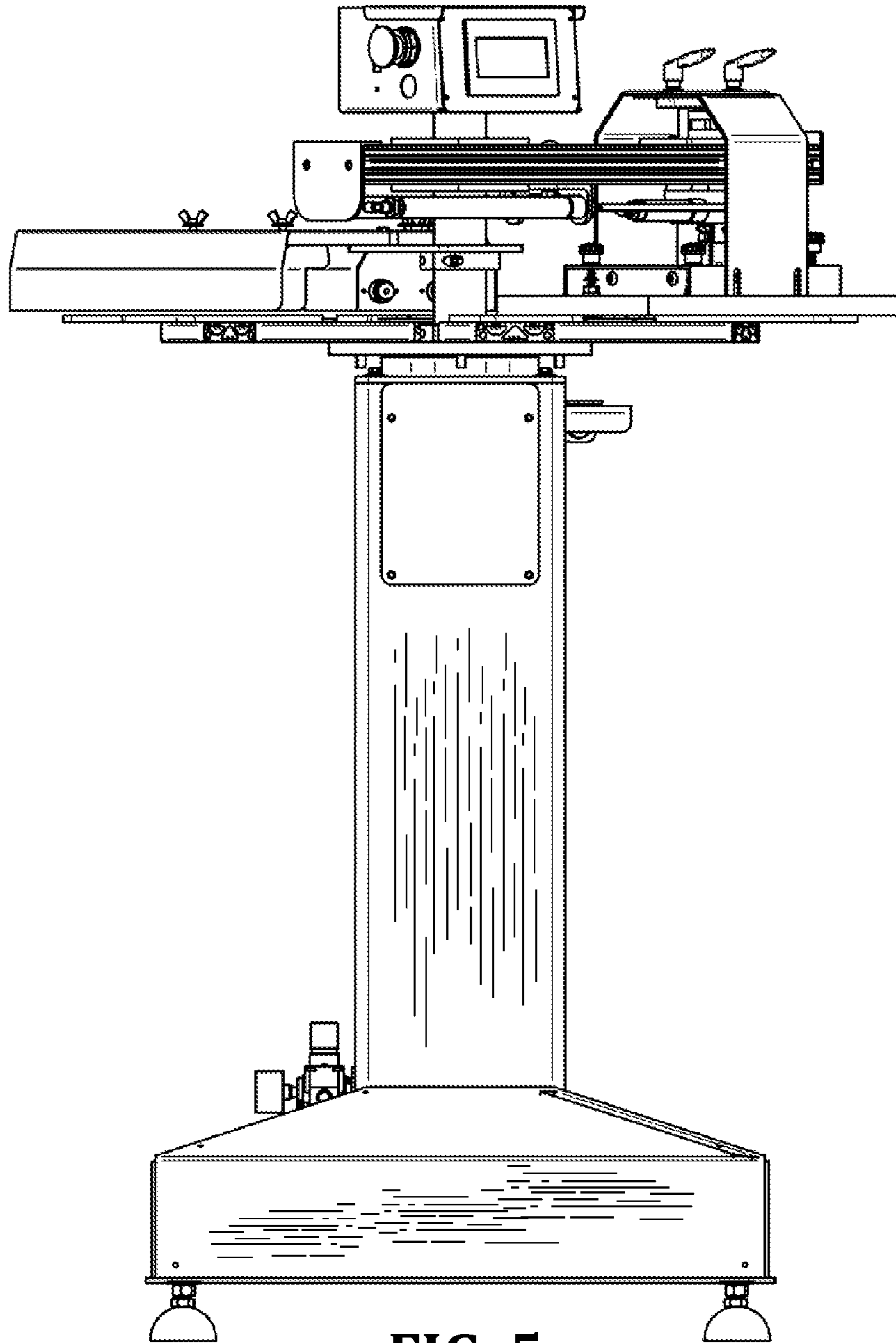
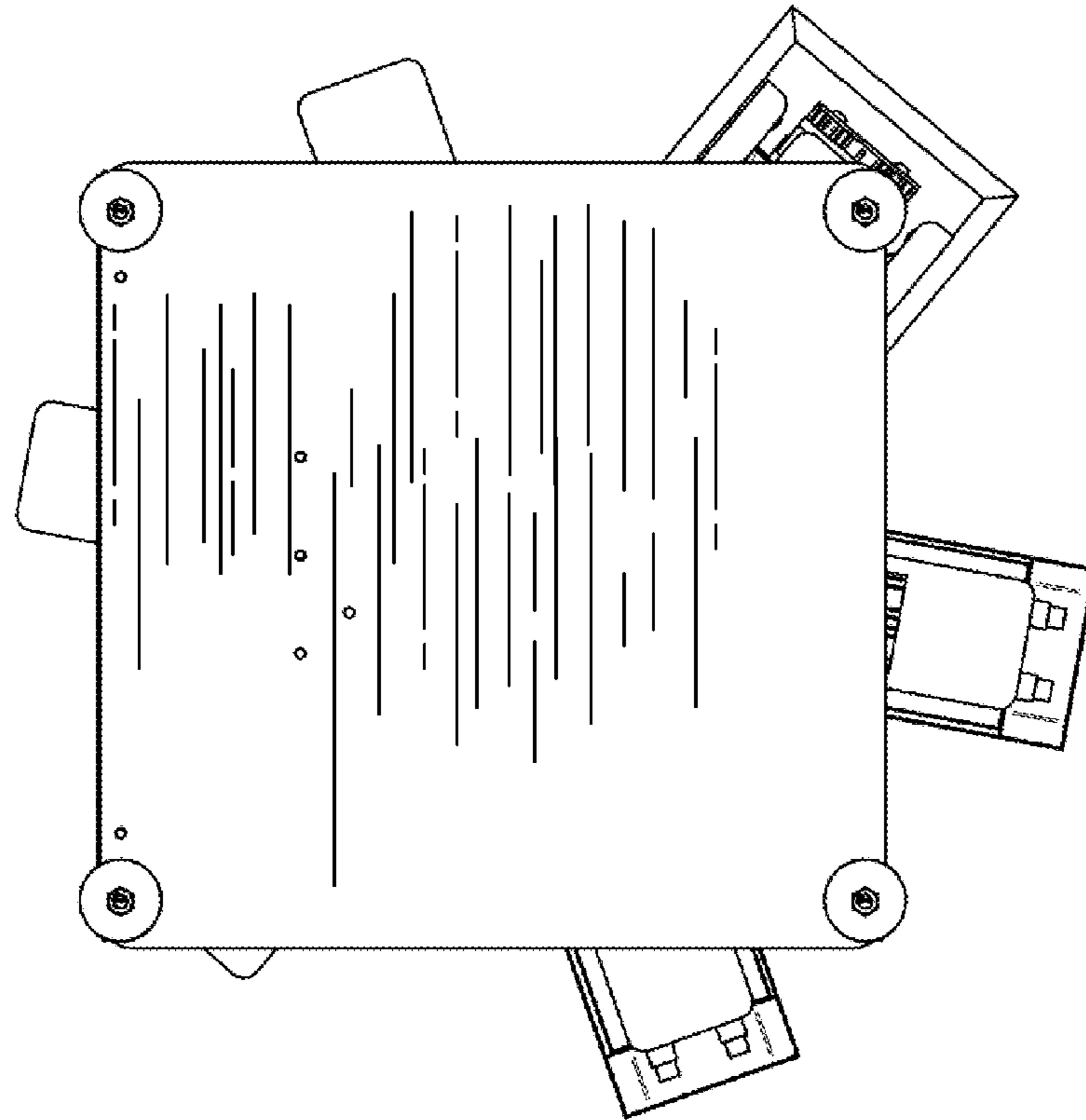


FIG. 5

**FIG. 6**



**FIG. 7**

