



US00D673596S

(12) **United States Design Patent**  
**Schultheiss et al.**

(10) **Patent No.:** **US D673,596 S**  
(45) **Date of Patent:** **\*\* Jan. 1, 2013**

(54) **HYDRAULIC AXIAL PISTON MACHINE**

(75) Inventors: **Martin Schultheiss**, Schwabisch Gmund (DE); **Christian Spielvogel**, Horb (DE)

(73) Assignee: **Robert Bosch GmbH**, Stuttgart (DE)

(\*\*) Term: **14 Years**

(21) Appl. No.: **29/371,087**

(22) Filed: **Oct. 15, 2010**

(30) **Foreign Application Priority Data**

Apr. 16, 2010 (EM) ..... 001696717

(51) **LOC (9) Cl.** ..... **15-99**

(52) **U.S. Cl.** ..... **D15/149**

(58) **Field of Classification Search** ..... D15/1,  
D15/3, 5, 148, 149; 91/476, 499, 505; 92/12.2,  
92/19, 20, 71; 417/212, 218, 269, 319  
See application file for complete search history.

(56) **References Cited**

**U.S. PATENT DOCUMENTS**

6,405,634	B1 *	6/2002	Hansen	92/71
6,595,886	B1 *	7/2003	Forster	475/83
6,663,354	B2 *	12/2003	Forster	417/222.1
6,701,824	B2 *	3/2004	Forster	92/12.2
D501,860	S *	2/2005	Wanschura et al.	D15/149
D502,717	S *	3/2005	Wanschura et al.	D15/149
D533,205	S *	12/2006	Sinz	D15/149
D543,565	S *	5/2007	Kopecki	D15/149
7,263,925	B1 *	9/2007	Hansen et al.	92/71
D553,654	S *	10/2007	Betz	D15/148

2006/0169072	A1 *	8/2006	Beck	74/61
2006/0201323	A1 *	9/2006	Forster	92/71
2006/0269421	A1 *	11/2006	Sakikawa et al.	417/53
2007/0186764	A1 *	8/2007	Hansen et al.	92/12.2
2010/0269687	A1 *	10/2010	Krogh et al.	91/506
2011/0252958	A1 *	10/2011	Spielvogel et al.	92/12.2

\* cited by examiner

*Primary Examiner* — Patricia Palasik

(74) *Attorney, Agent, or Firm* — Maginot, Moore & Beck

(57) **CLAIM**

The ornamental design for a hydraulic axial piston machine, as shown and described.

**DESCRIPTION**

FIG. 1 is a top perspective view of our new design;  
 FIG. 2 is a front elevation view thereof;  
 FIG. 3 is a rear elevation view thereof;  
 FIG. 4 is a bottom plan view thereof;  
 FIG. 5 is a top plan view thereof;  
 FIG. 6 is a side elevation view thereof; and  
 FIG. 7 is an opposite side elevation view thereof;  
 FIG. 8 is a top perspective view of a second embodiment of our new design;  
 FIG. 9 is a front elevation view thereof;  
 FIG. 10 is a rear elevation view thereof;  
 FIG. 11 is bottom plan view thereof;  
 FIG. 12 is a top plan view thereof;  
 FIG. 13 is a side elevation view thereof; and,  
 FIG. 14 is an opposite side elevation view thereof.  
 The broken lines in the drawings depict unclaimed environmental subject matter.

**1 Claim, 14 Drawing Sheets**

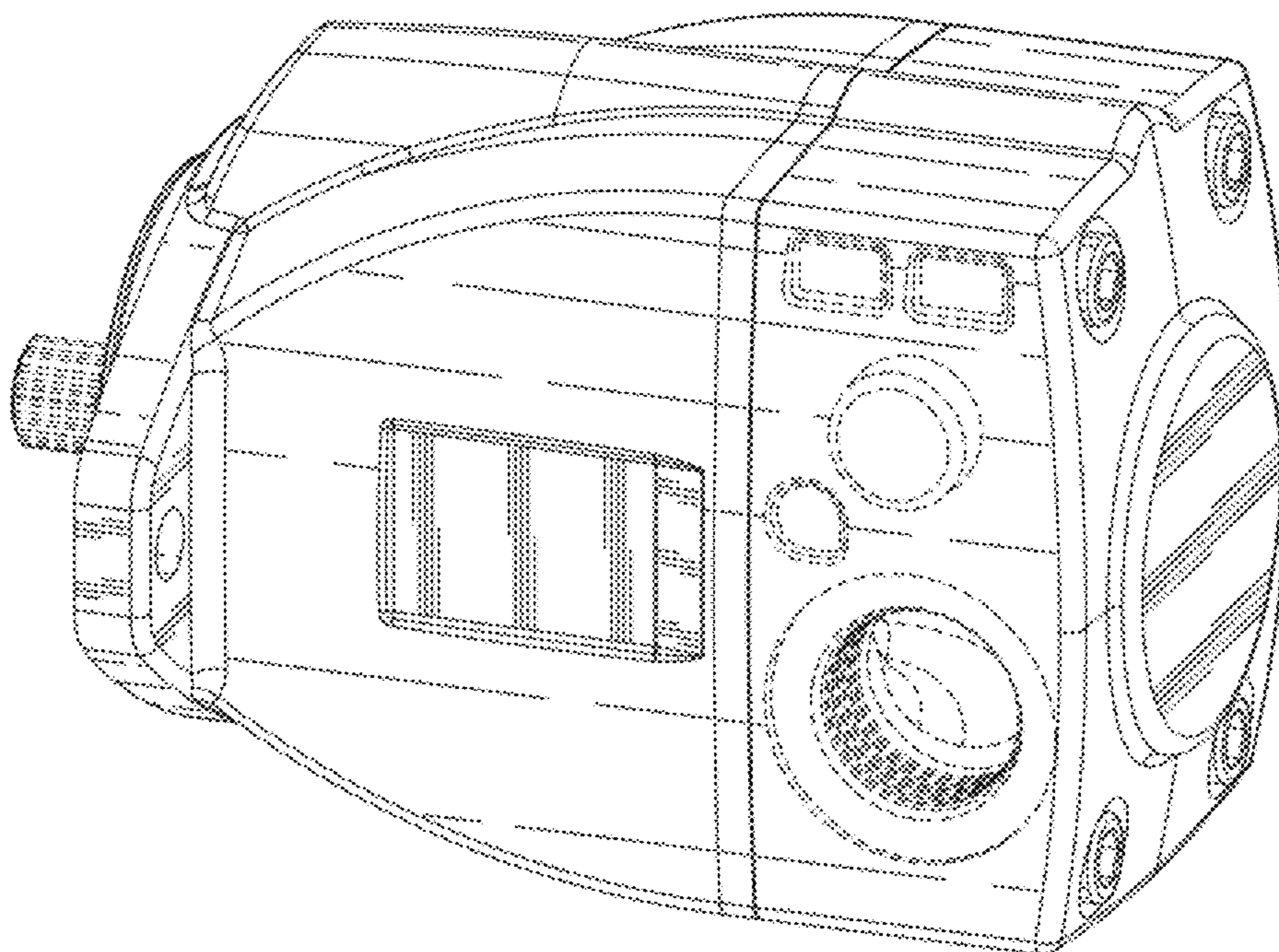


Fig. 1

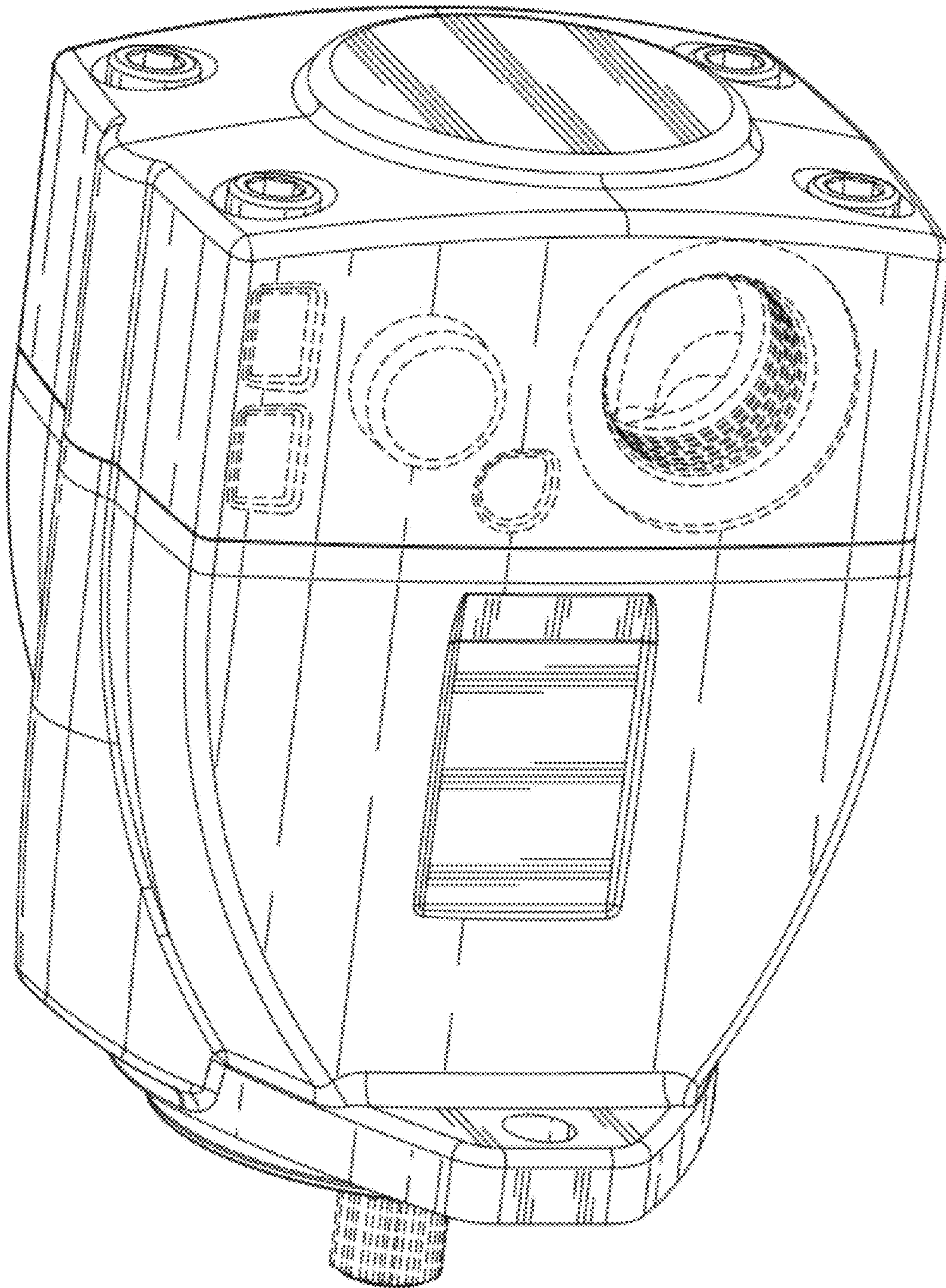


Fig. 2

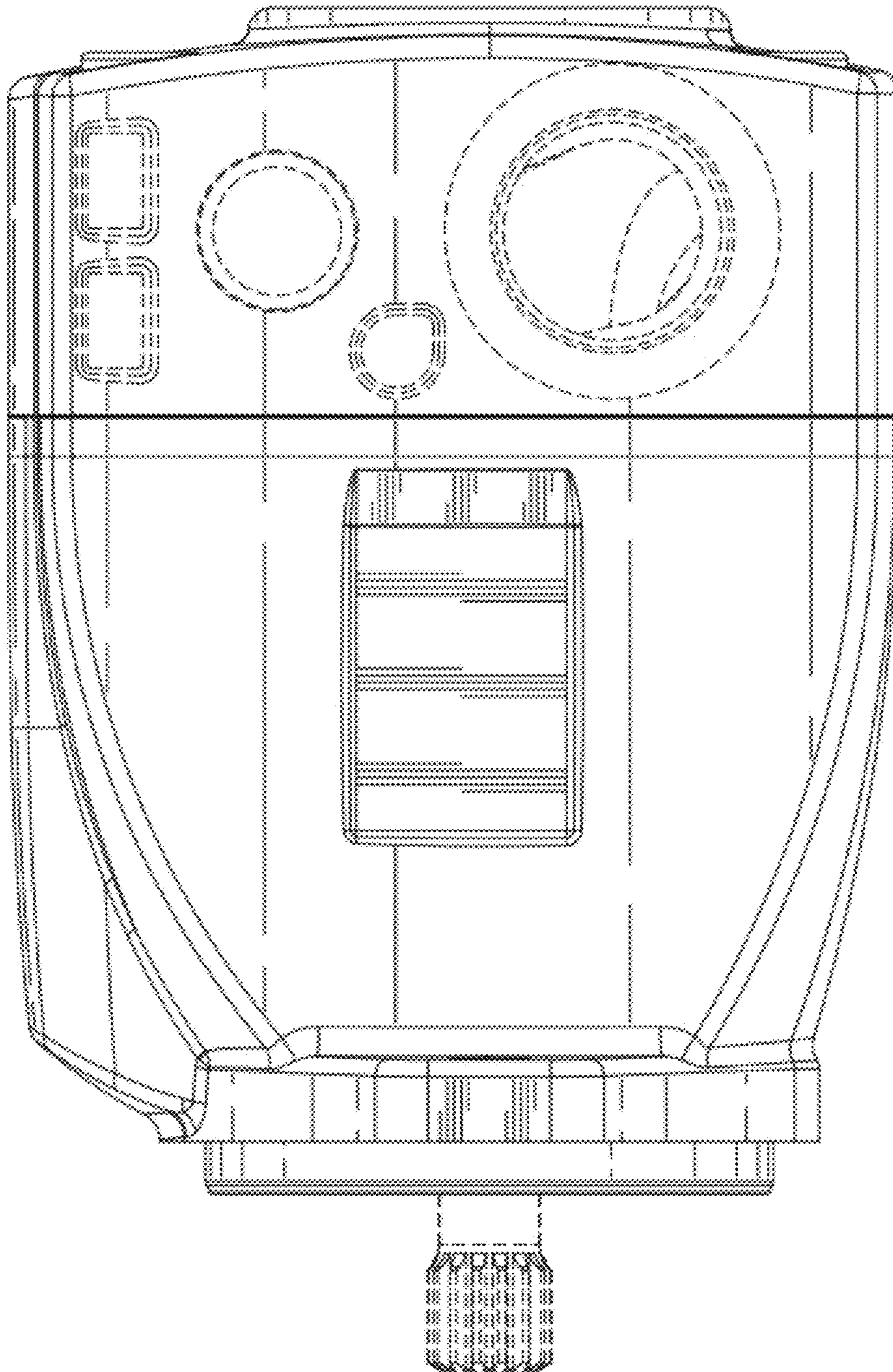
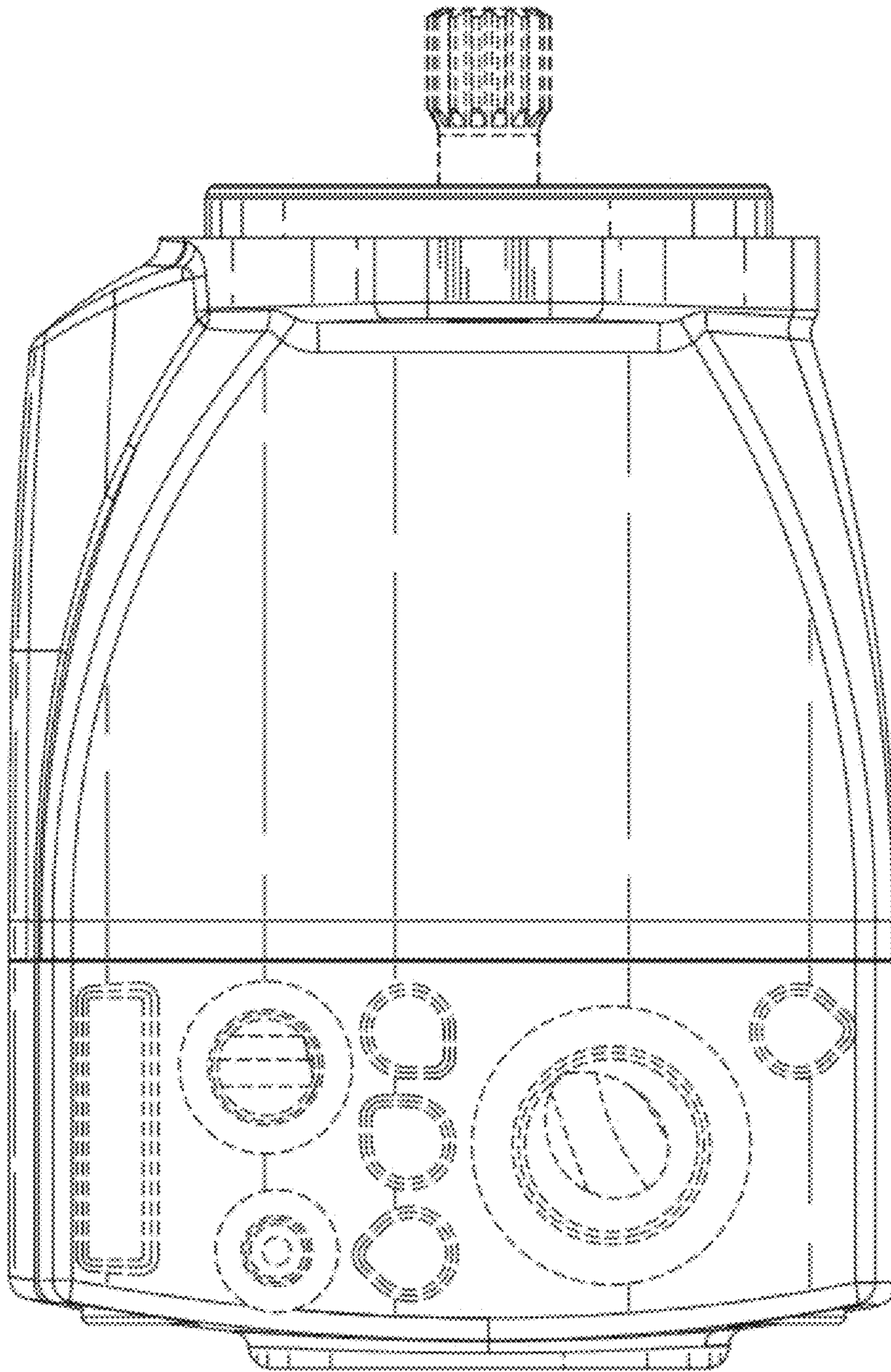


Fig. 3



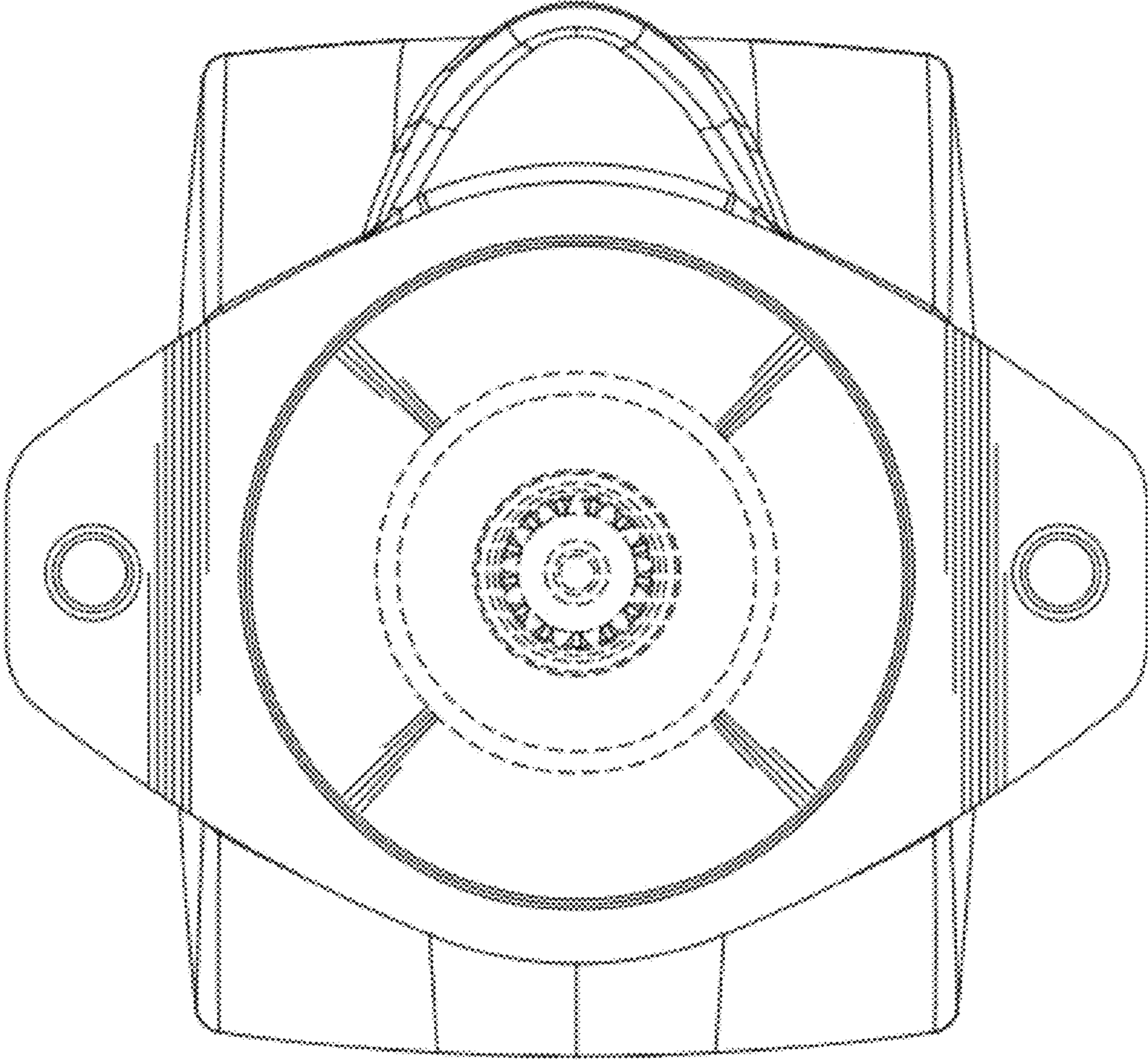


Fig. 4

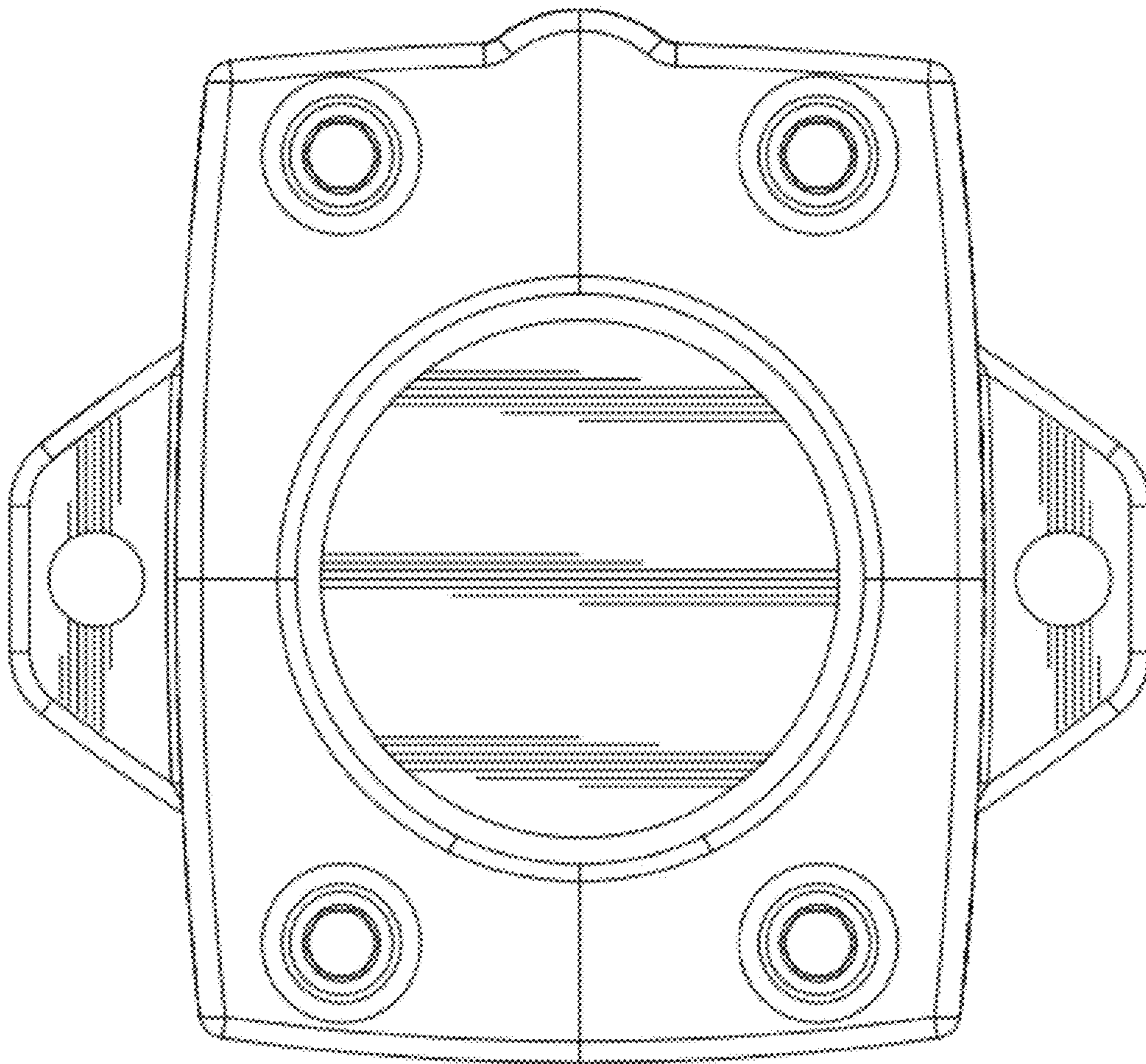


Fig. 5

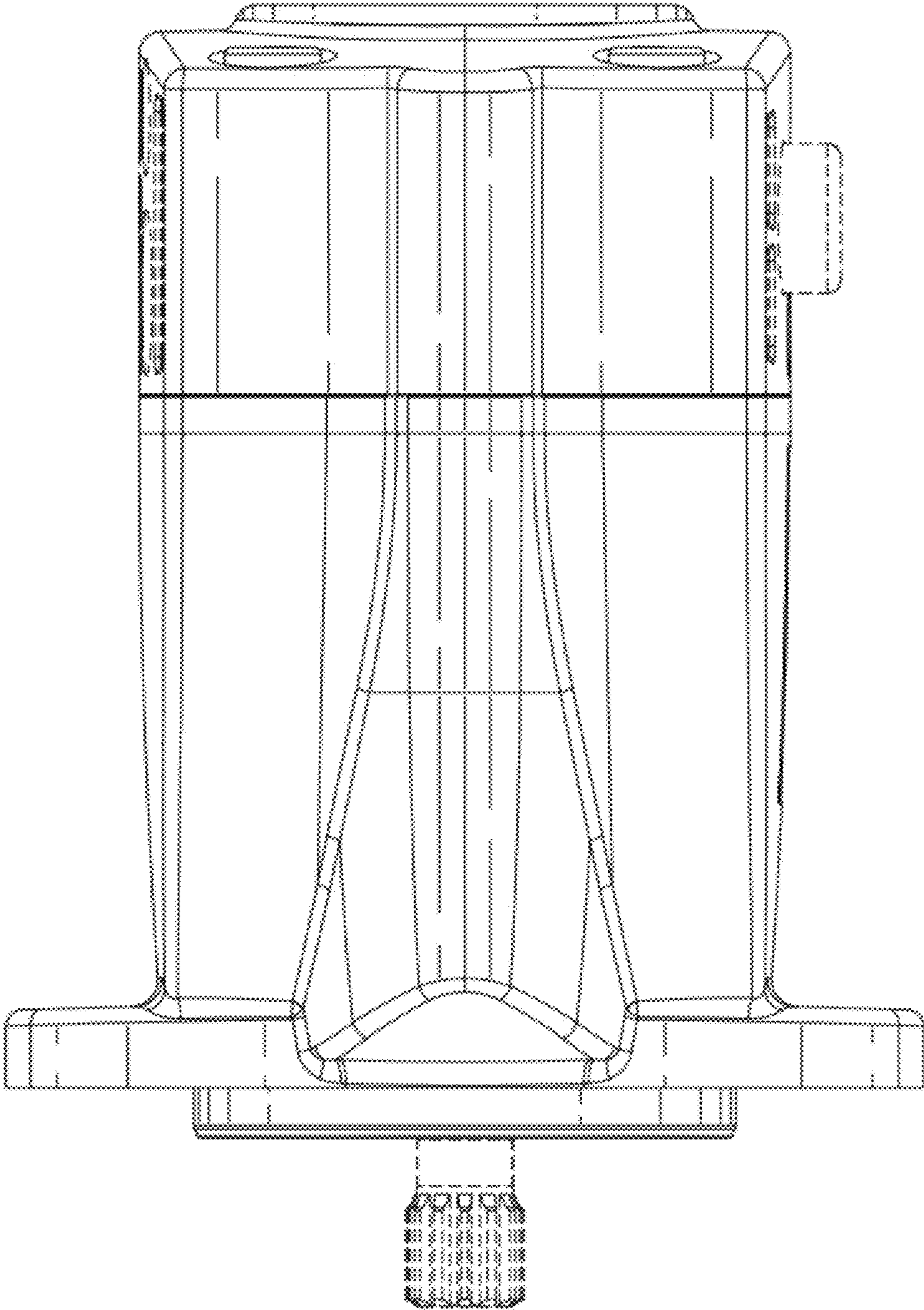


Fig. 6

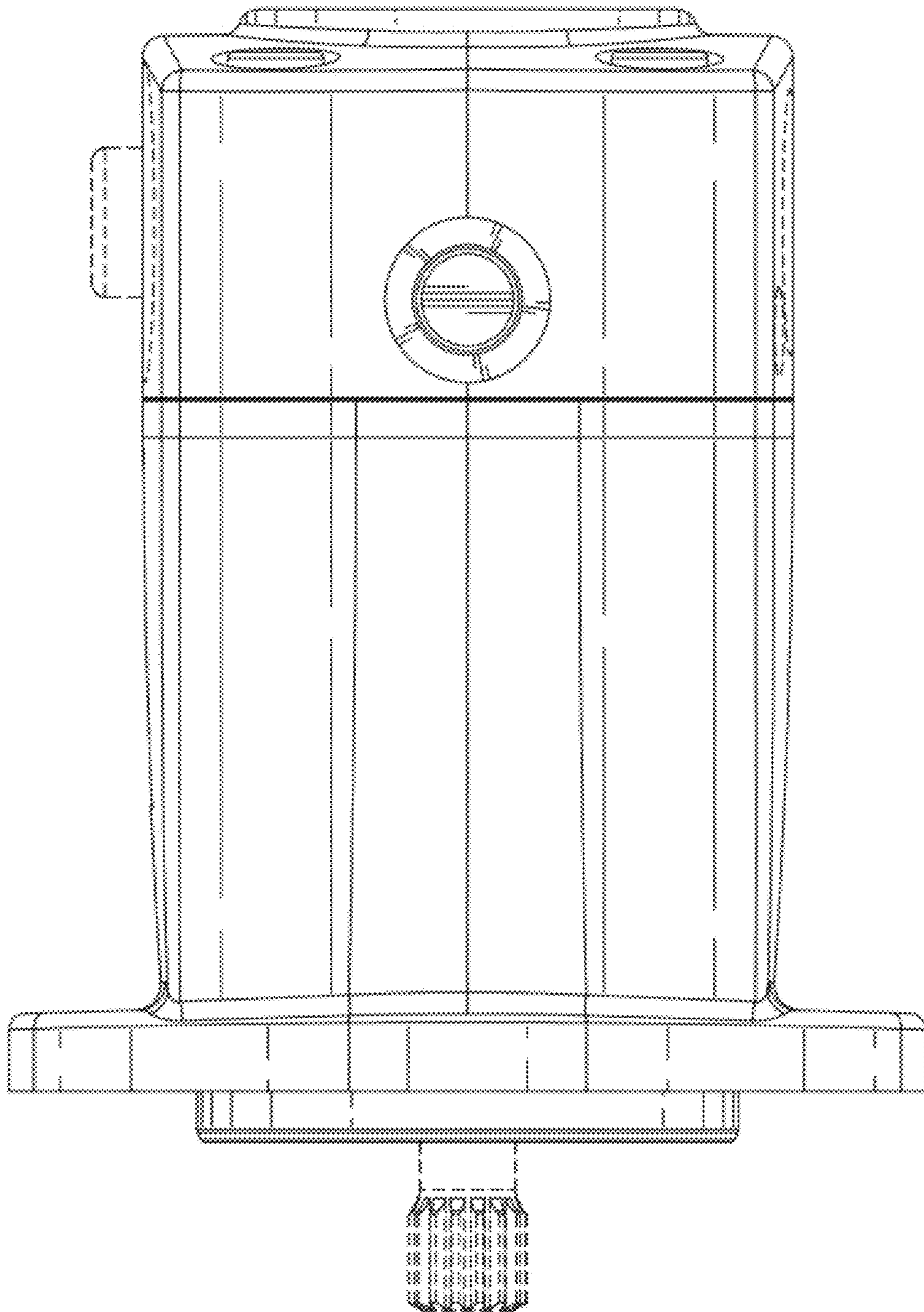


Fig. 7



Fig. 8

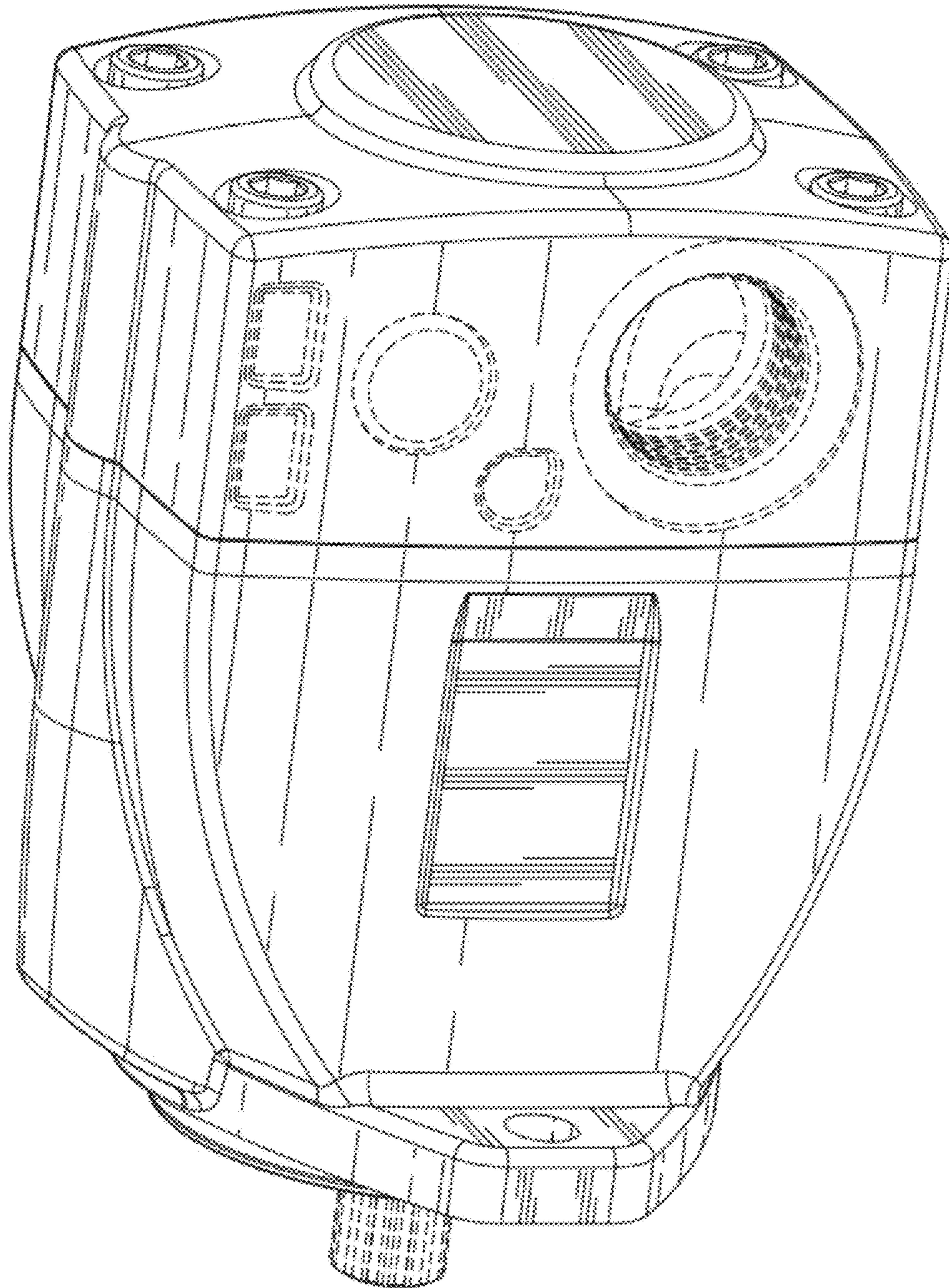


Fig. 9

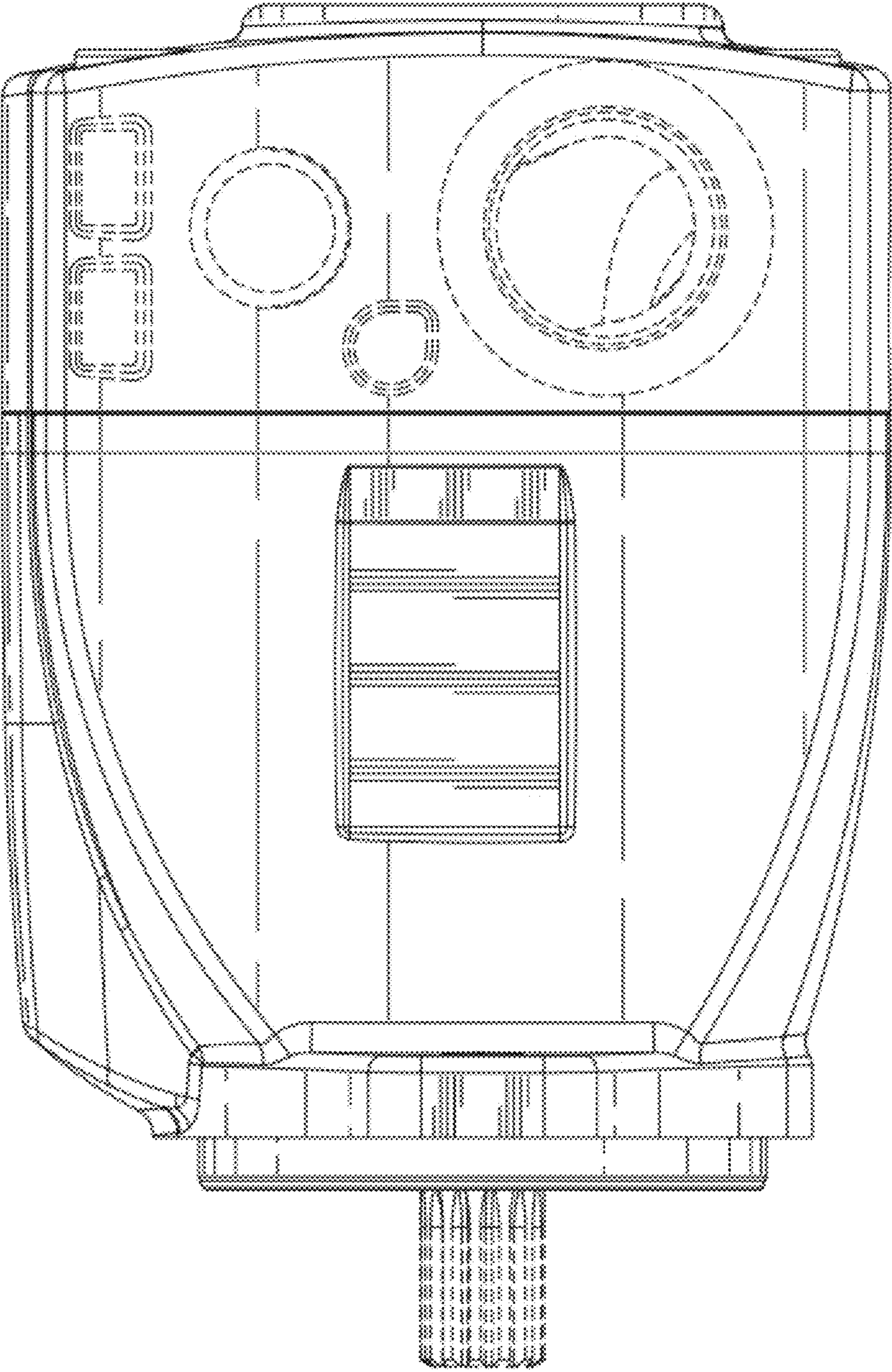
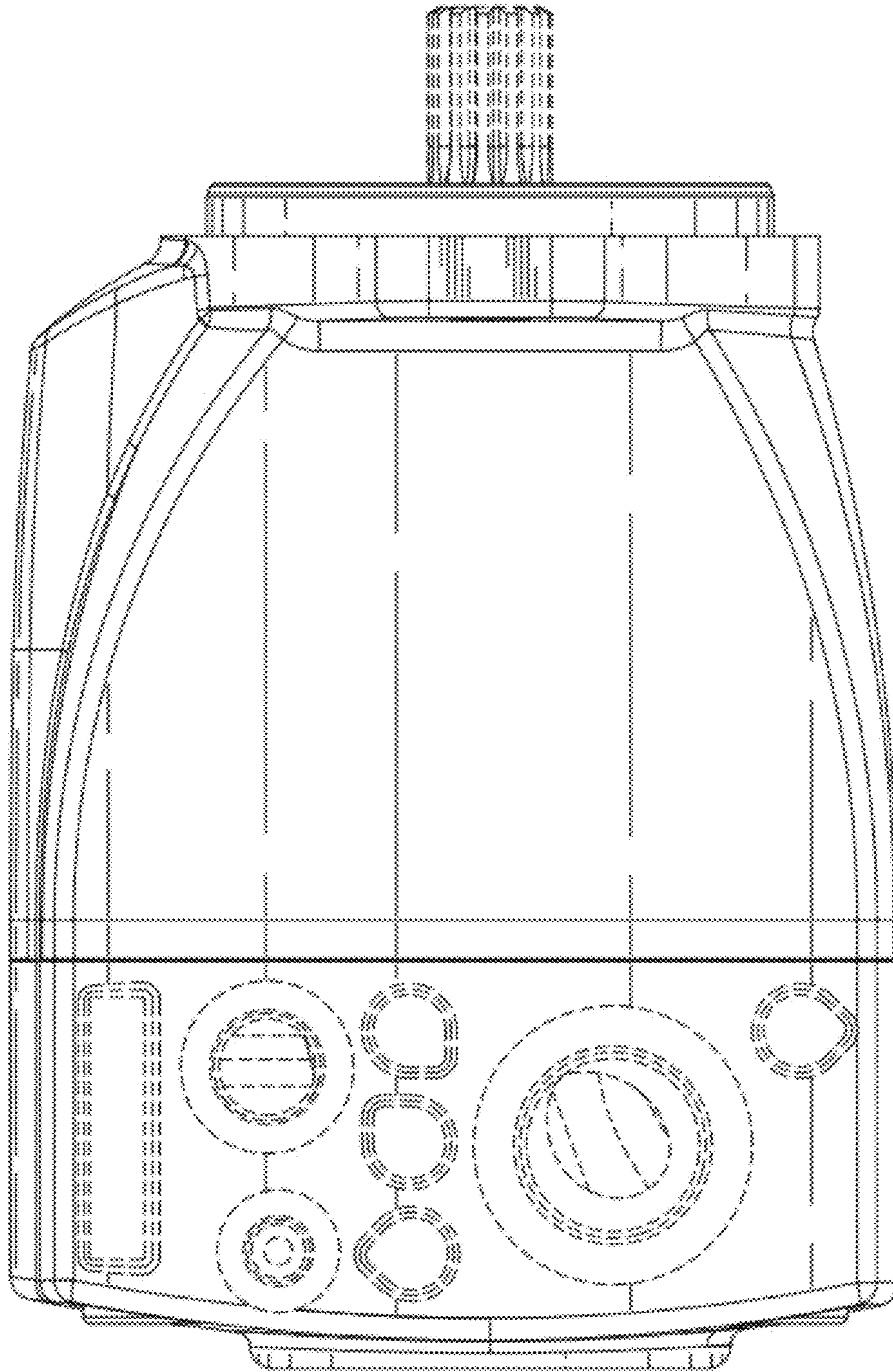


Fig. 10



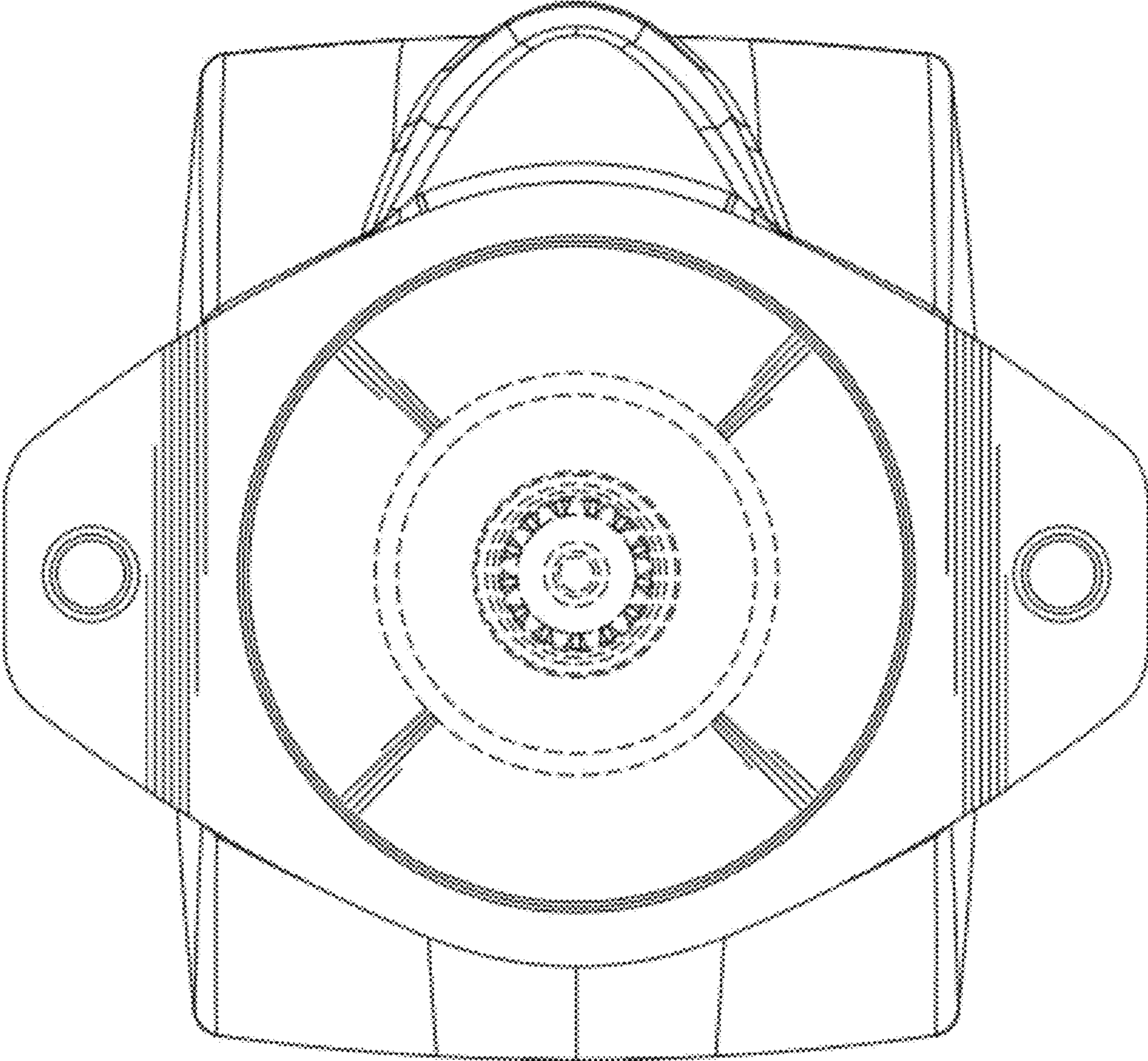


Fig. 11

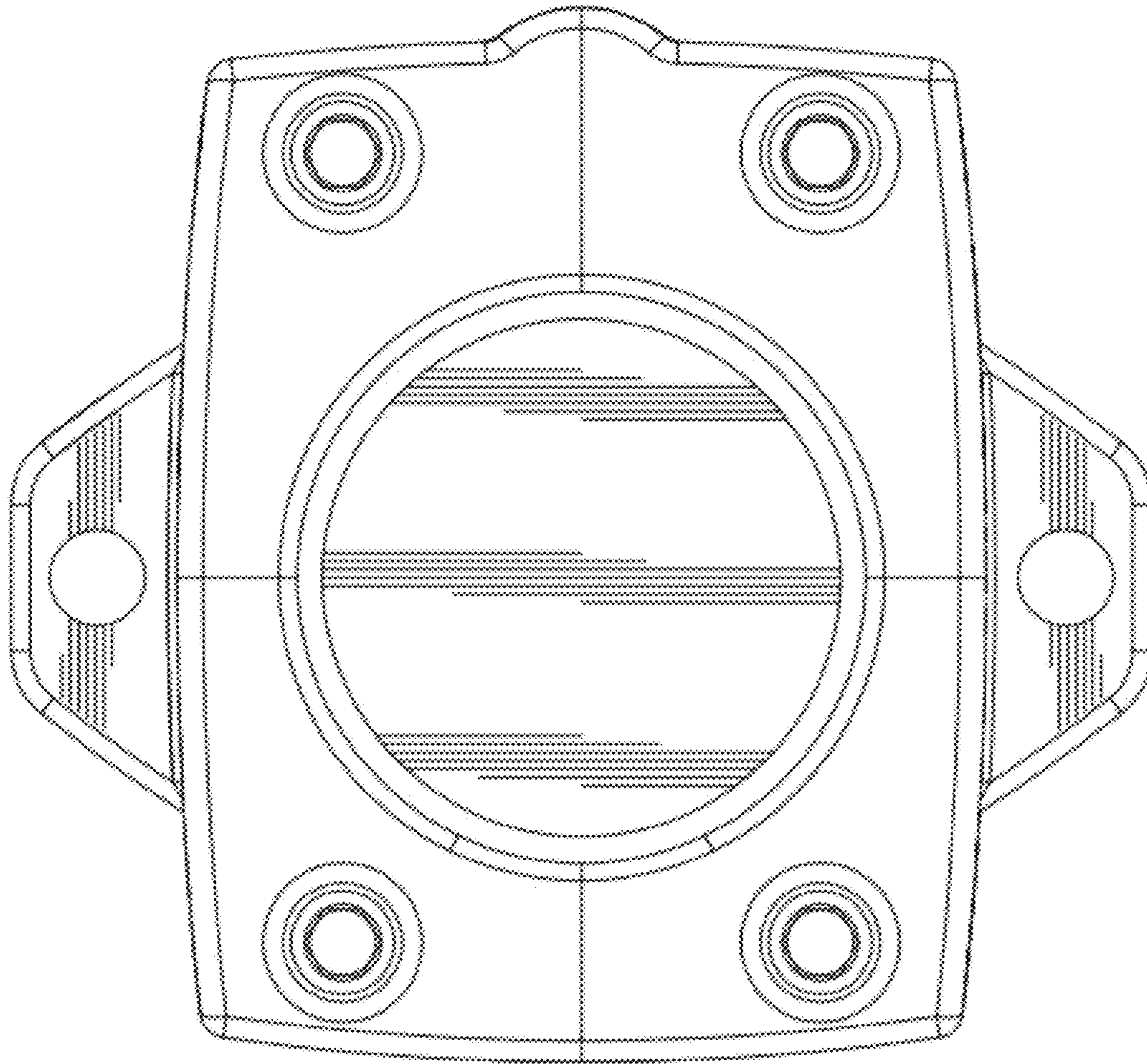


Fig. 12

Fig. 13

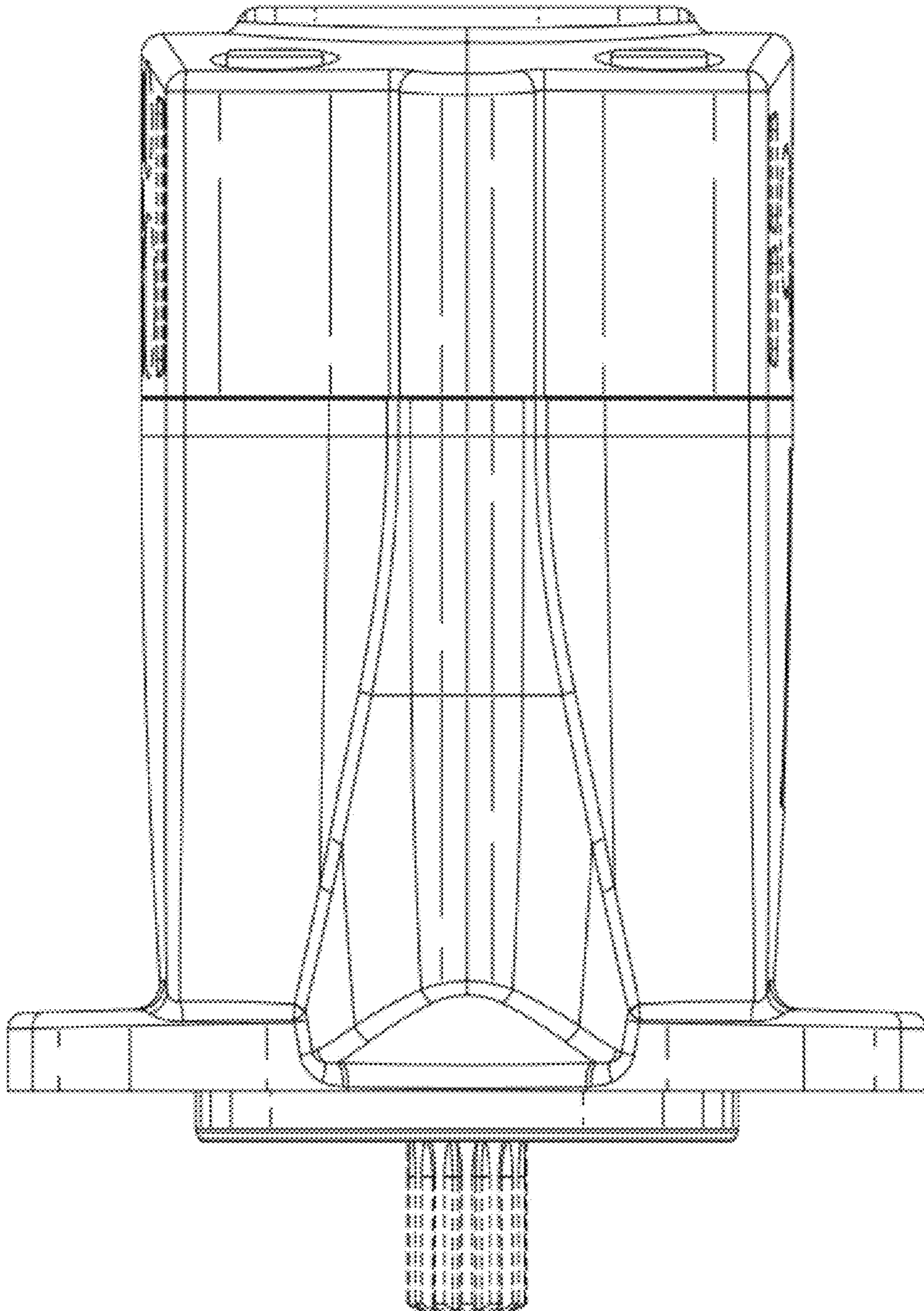


Fig. 14

