



US00D673594S

(12) **United States Design Patent**
Ganzer

(10) **Patent No.:** **US D673,594 S**
(45) **Date of Patent:** **** Jan. 1, 2013**

(54) **NOZZLE FOR APPLYING ADHESIVE TO STRANDS**

(75) Inventor: **Charles P. Ganzer**, Cumming, GA (US)

(73) Assignee: **Nordson Corporation**, Westlake, OH (US)

(**) Term: **14 Years**

(21) Appl. No.: **29/424,938**

(22) Filed: **Jun. 18, 2012**

(51) **LOC (9) Cl.** **15-09**

(52) **U.S. Cl.** **D15/144.1**

(58) **Field of Classification Search** D15/144, D15/144.1, 144.2; D23/229; 222/52, 54-55, 222/146.5, 239, 320, 325, 389, 566, 567; 239/1, 11, 29, 71, 135, 296, 423, 536, 539
See application file for complete search history.

(56) **References Cited**

U.S. PATENT DOCUMENTS

3,911,173	A	10/1975	Sprague, Jr.
4,666,542	A	5/1987	De Jonckheere
4,842,666	A	6/1989	Werenicz
4,917,696	A	4/1990	De Jonckheere
4,995,333	A	2/1991	Keller et al.
5,275,676	A	1/1994	Rooyakkers et al.
5,322,729	A	6/1994	Heeter et al.
5,338,569	A	8/1994	Hatch
5,340,648	A	8/1994	Rollins et al.
5,413,654	A	5/1995	Igaue et al.
5,429,694	A	7/1995	Herrmann
5,501,756	A	3/1996	Rollins et al.
5,505,995	A	4/1996	Leonard
5,507,909	A	4/1996	Rollins et al.
5,525,175	A	6/1996	Blenke et al.
5,576,091	A	11/1996	Zajackowski et al.
5,582,668	A	12/1996	Kling

5,688,555	A	11/1997	Teng
5,779,799	A	7/1998	Davis
5,866,210	A	2/1999	Rosynsky et al.
5,916,393	A	6/1999	Shaffer et al.
5,939,136	A	8/1999	Cronk et al.
6,033,513	A	3/2000	Nakamura
6,077,373	A	6/2000	Fletcher et al.
6,077,375	A	6/2000	Kwok
D433,692	S *	11/2000	Fort et al. D15/144.1
6,235,137	B1	5/2001	Van Eperen et al.
6,248,097	B1	6/2001	Beitz et al.

(Continued)

FOREIGN PATENT DOCUMENTS

WO 0066351 A2 11/2000

Primary Examiner — Patricia Palasik

(74) *Attorney, Agent, or Firm* — Wood, Herron & Evans, L.L.P.

(57) **CLAIM**

The ornamental design for a nozzle for applying adhesive to strands, as shown and described.

DESCRIPTION

FIG. 1 is a bottom front perspective view of a nozzle for applying adhesive to strands according to the present invention.

FIG. 2 is a bottom rear perspective view of the nozzle for applying adhesive to strands.

FIG. 3 is a top front perspective view of the nozzle for applying adhesive to strands.

FIG. 4 is a front view of FIG. 1, the rear view being a mirror image thereof.

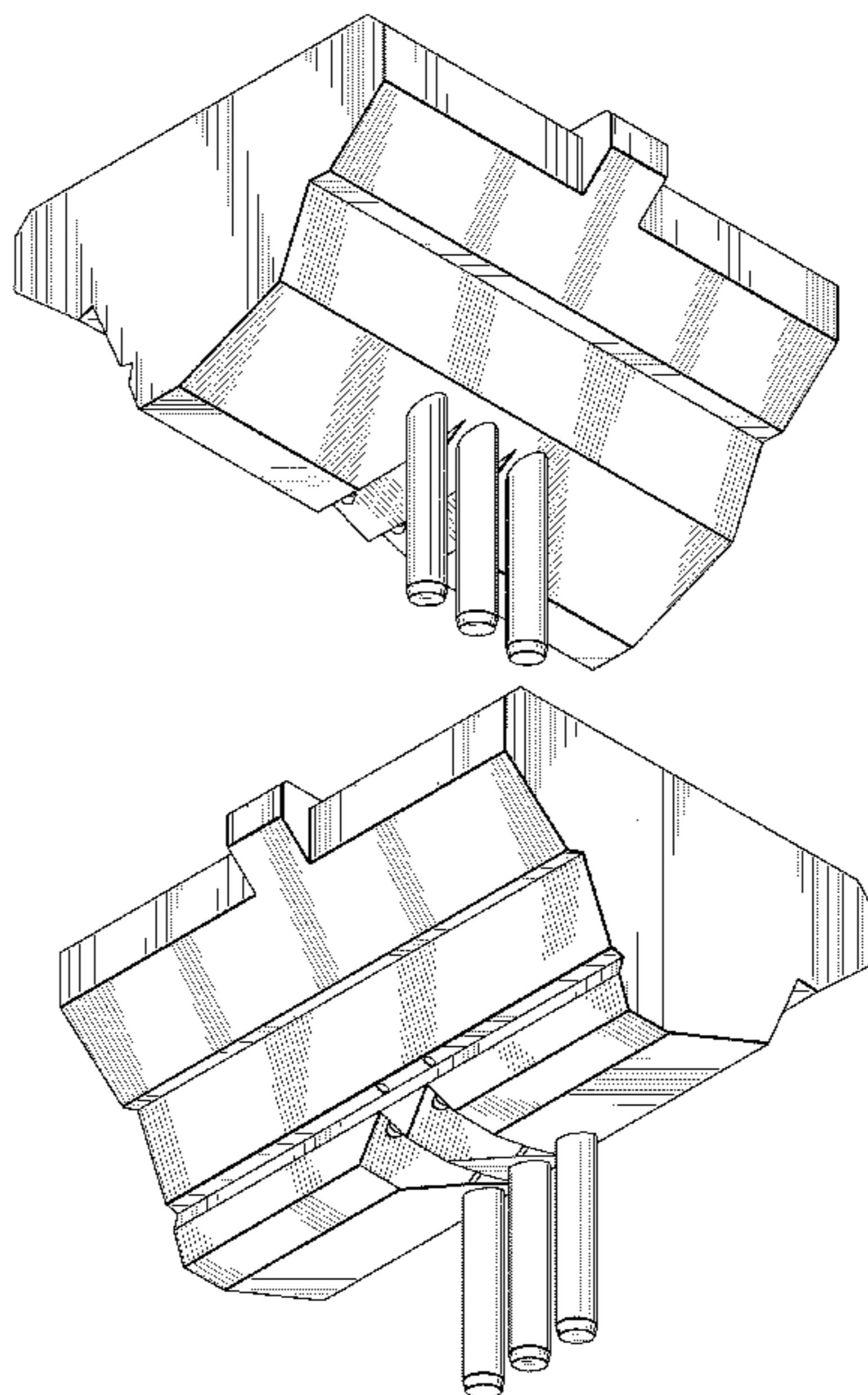
FIG. 5 is a left side view of FIG. 1.

FIG. 6 is a right side view of FIG. 1.

FIG. 7 is a top view of FIG. 1; and,

FIG. 8 is a bottom view of FIG. 1.

1 Claim, 4 Drawing Sheets



US D673,594 S

Page 2

U.S. PATENT DOCUMENTS

6,289,841	B1	9/2001	Caldwell				
6,291,016	B1	9/2001	Donges et al.				
6,361,634	B1	3/2002	White et al.				
6,378,784	B1	4/2002	Allen et al.				
6,383,568	B1	5/2002	Gast-Bray				
6,436,216	B1	8/2002	Grover				
6,509,089	B1	1/2003	Rollins et al.				
6,537,373	B1	3/2003	Kitano et al.				
6,579,382	B2	6/2003	Ito				
6,589,601	B1	7/2003	Shimada				
6,652,693	B2	11/2003	Burriss et al.				
6,676,038	B2	1/2004	Gressett, Jr. et al.				
6,719,846	B2	4/2004	Nakamura et al.				
6,745,948	B1	6/2004	Hidaka et al.				
6,855,373	B2	2/2005	Karlsson				
6,863,225	B2	3/2005	Nakamura				
6,905,081	B2	6/2005	Saidman et al.				
6,911,232	B2	6/2005	Crane et al.				
6,926,772	B2	8/2005	Leonard				
6,936,125	B2	8/2005	Harris				
7,014,911	B2	3/2006	Harris				
D519,536	S *	4/2006	de Leeuw et al.	D15/144			
D521,035	S *	5/2006	de Leeuw et al.	D15/144			
D529,321	S *	10/2006	Gould et al.	D6/545			
D536,354	S *	2/2007	Kufner et al.	D15/144			
7,175,108	B2	2/2007	Saine				
D550,261	S *	9/2007	Bondeson et al.	D15/144			
7,374,792	B2	5/2008	Rosynsky et al.				
7,438,763	B2	10/2008	Kanke				
7,462,240	B2	12/2008	Harris et al.				
7,465,367	B2	12/2008	Day				
D588,617	S *	3/2009	Burmester et al.	D15/144			
7,521,087	B2	4/2009	Rosynsky et al.				
7,559,487	B2	7/2009	Gressett, Jr. et al.				
7,578,882	B2	8/2009	Harris et al.				
7,647,885	B2	1/2010	Crane et al.				
7,754,040	B2	7/2010	Norrby				
7,798,434	B2	9/2010	Bondeson et al.				
7,820,001	B2	10/2010	Thomas et al.				
D641,767	S *	7/2011	Juergens	D15/144			
D643,054	S *	8/2011	Sennrich	D15/144			
2001/0017102	A1	8/2001	Caldwell				
2001/0028920	A1	10/2001	Ito et al.				
2001/0030014	A1	10/2001	Kwok				
2001/0053420	A1	12/2001	Donges et al.				
2001/0054477	A1	12/2001	Kwok				
2002/0036050	A1	3/2002	Kwok				
2003/0089447	A1	5/2003	Molee et al.				
2003/0104130	A1	6/2003	Karlsson				
2003/0161955	A1	8/2003	Brumwell				
2003/0161964	A1	8/2003	Leonard				
2003/0224105	A1	12/2003	Chondroudou et al.				
2006/0254698	A1	11/2006	Tachibana et al.				
2006/0258249	A1	11/2006	Fairbanks et al.				
2007/0135008	A1	6/2007	Hall et al.				
2008/0145530	A1 *	6/2008	Bondeson et al.	427/207.1			
2010/0024987	A1	2/2010	Saine et al.				
2010/0221435	A1	9/2010	Fork et al.				
2010/0221449	A1	9/2010	Schlatterbeck et al.				
2010/0224121	A1	9/2010	Klingel				
2010/0279127	A1	11/2010	Ukai et al.				
2010/0297353	A1	11/2010	Sahoda et al.				
2011/0114266	A1	5/2011	Petersen et al.				
2011/0139066	A1	6/2011	Chuang et al.				

* cited by examiner

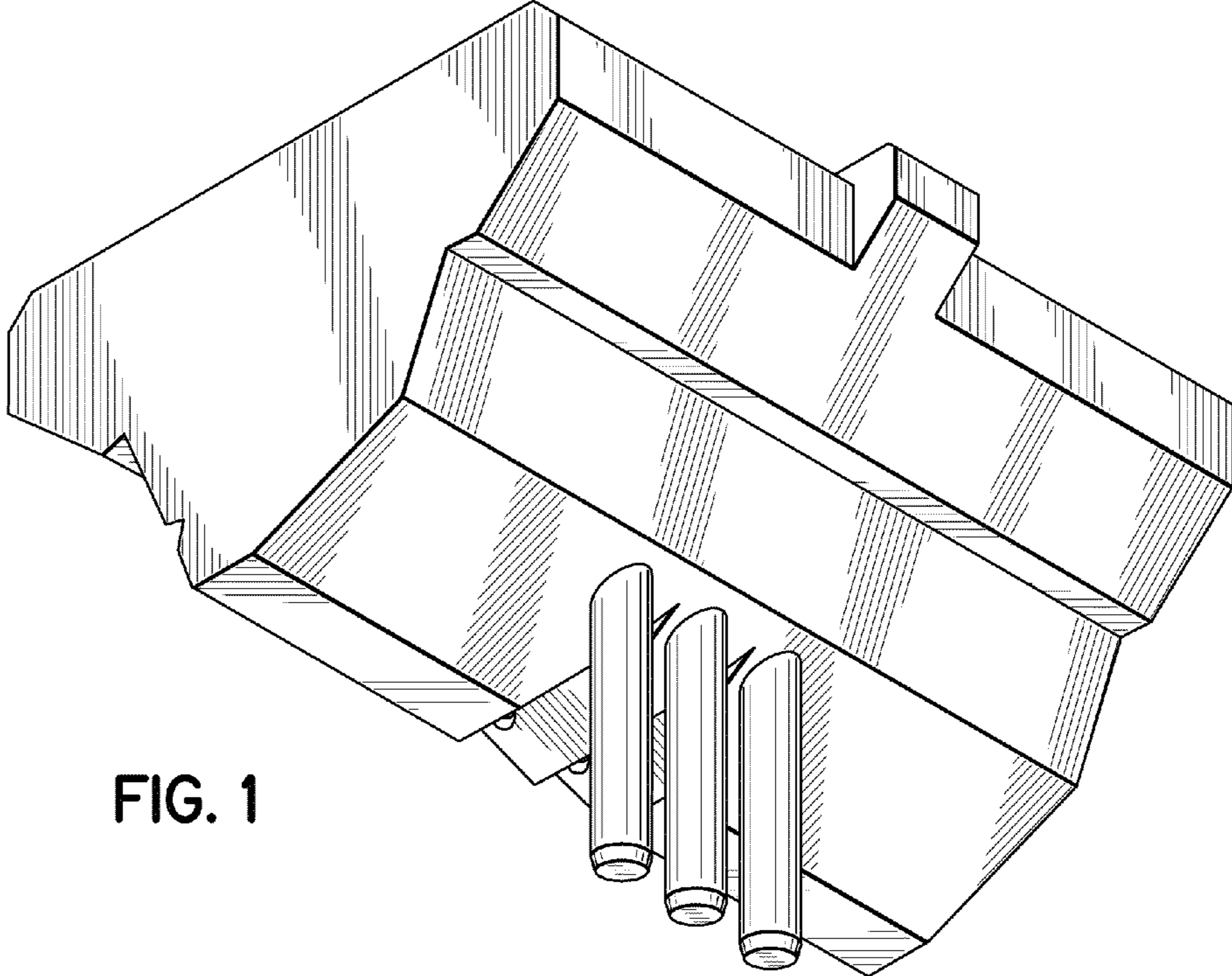


FIG. 1

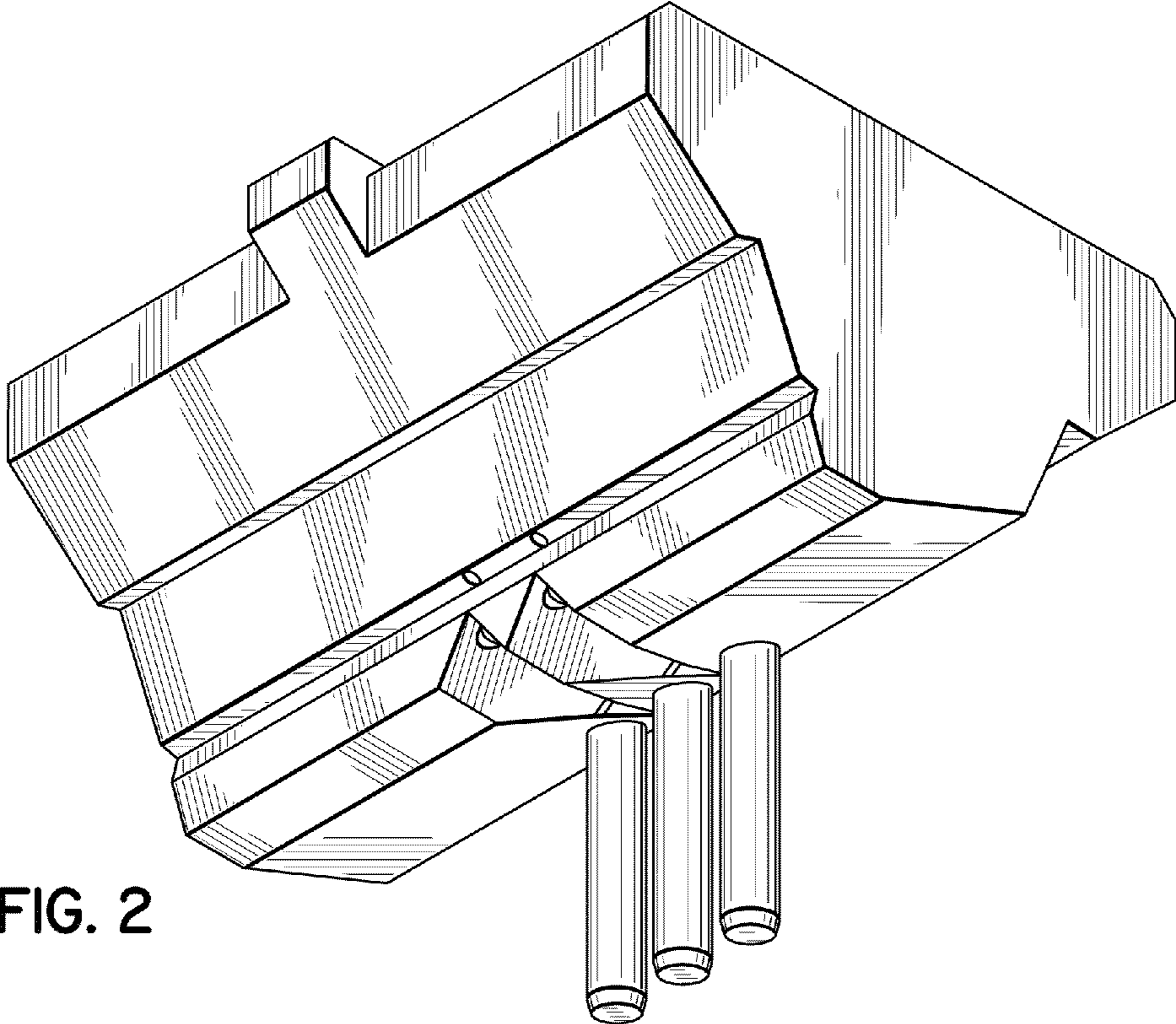


FIG. 2

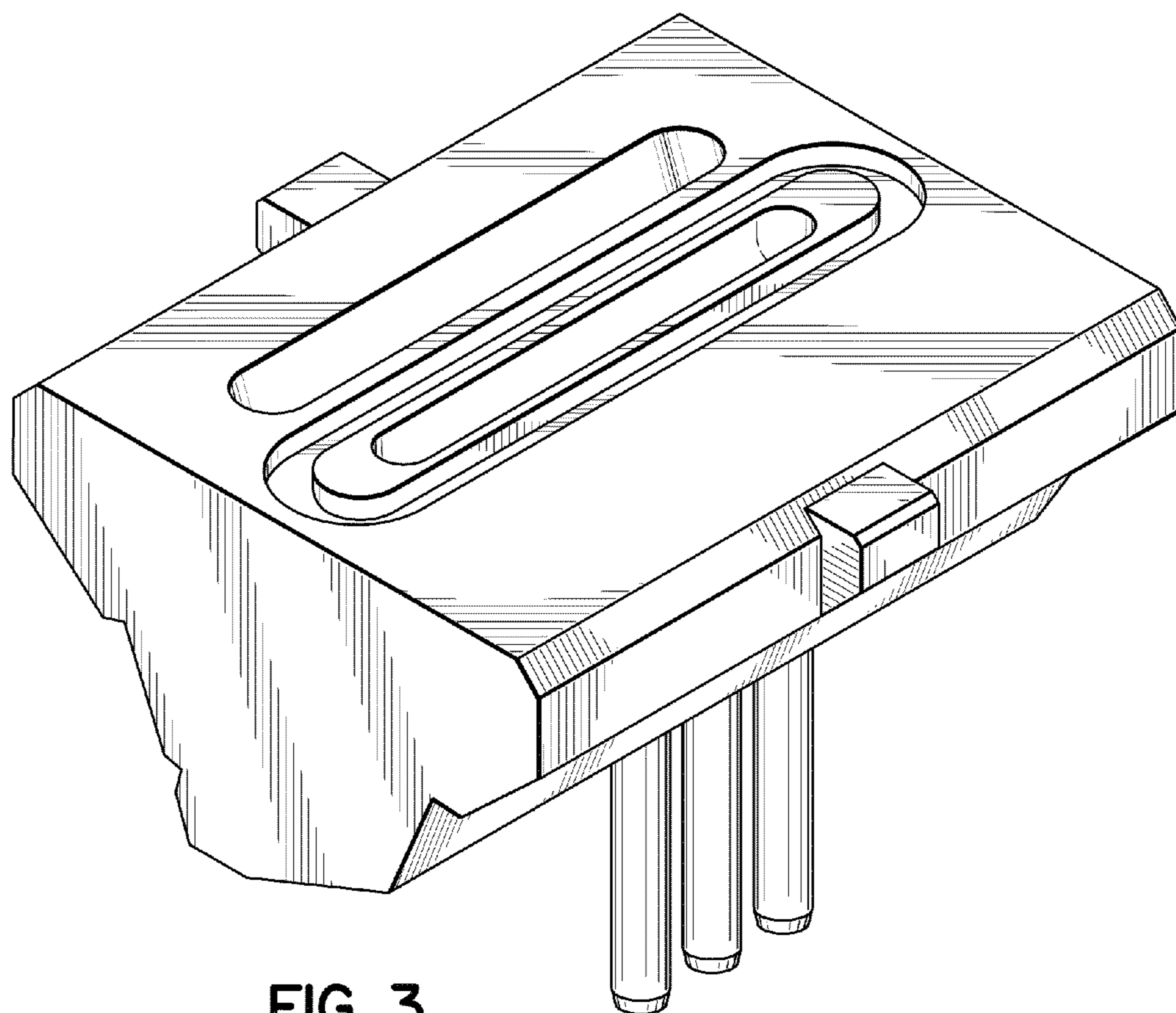


FIG. 3

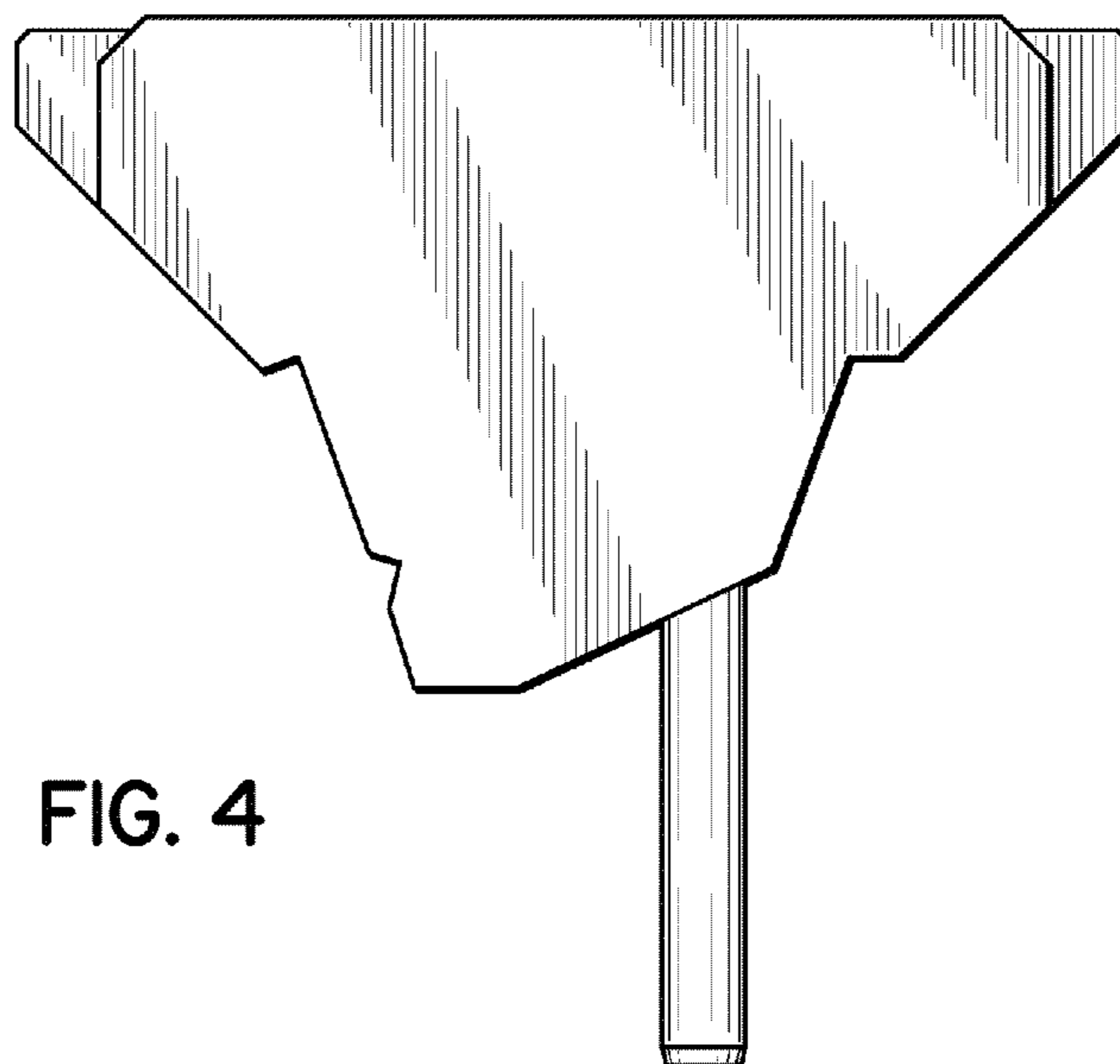
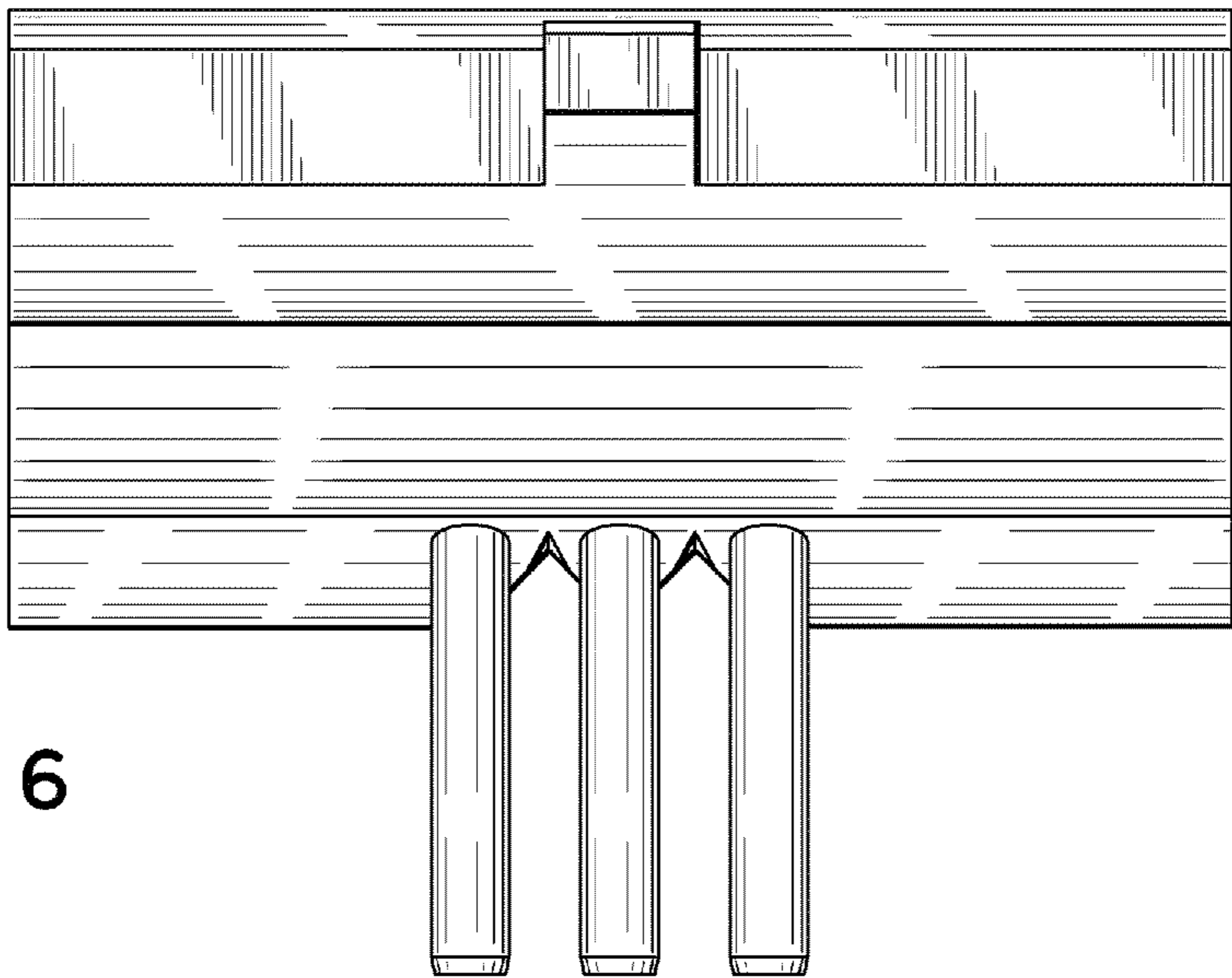
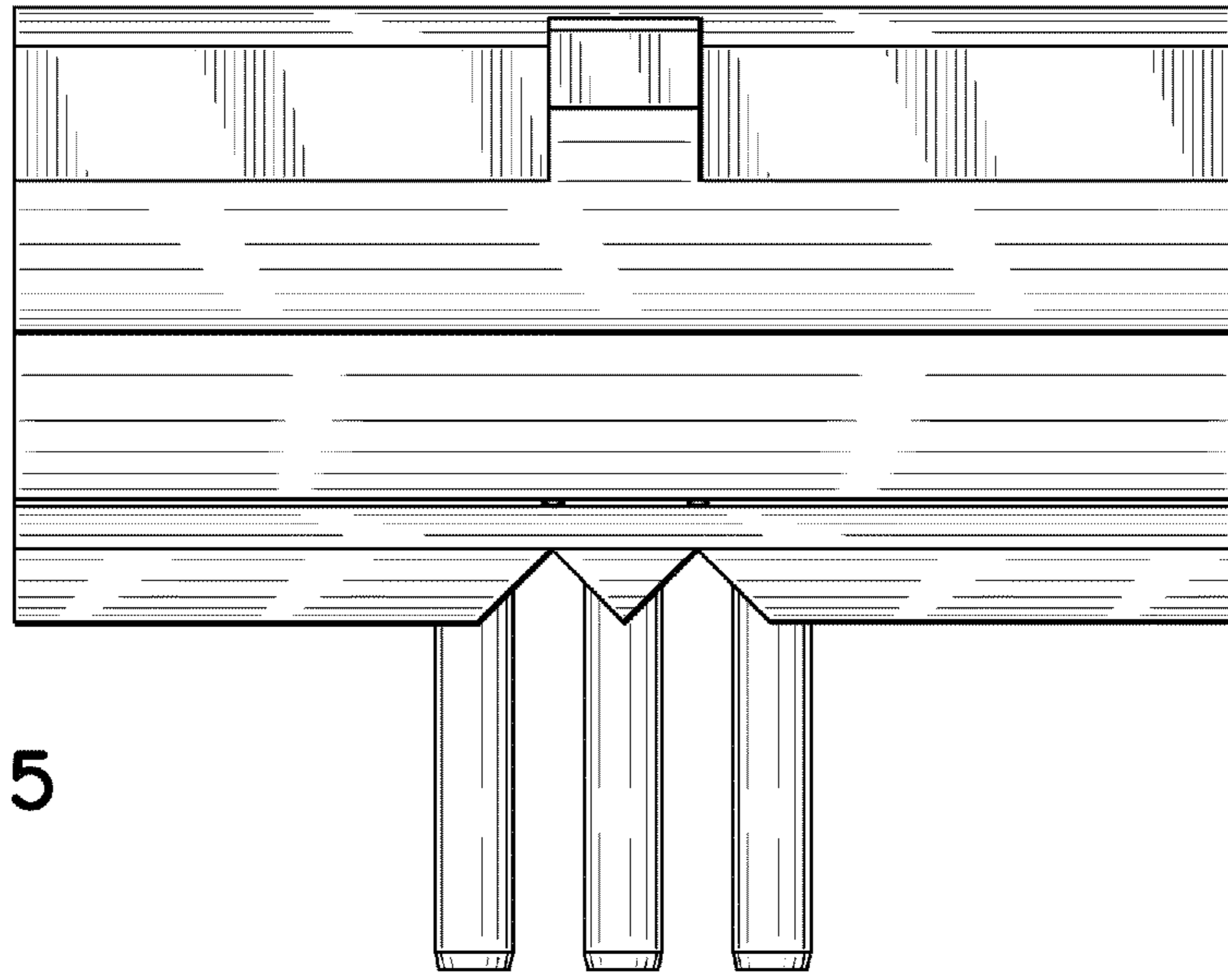


FIG. 4



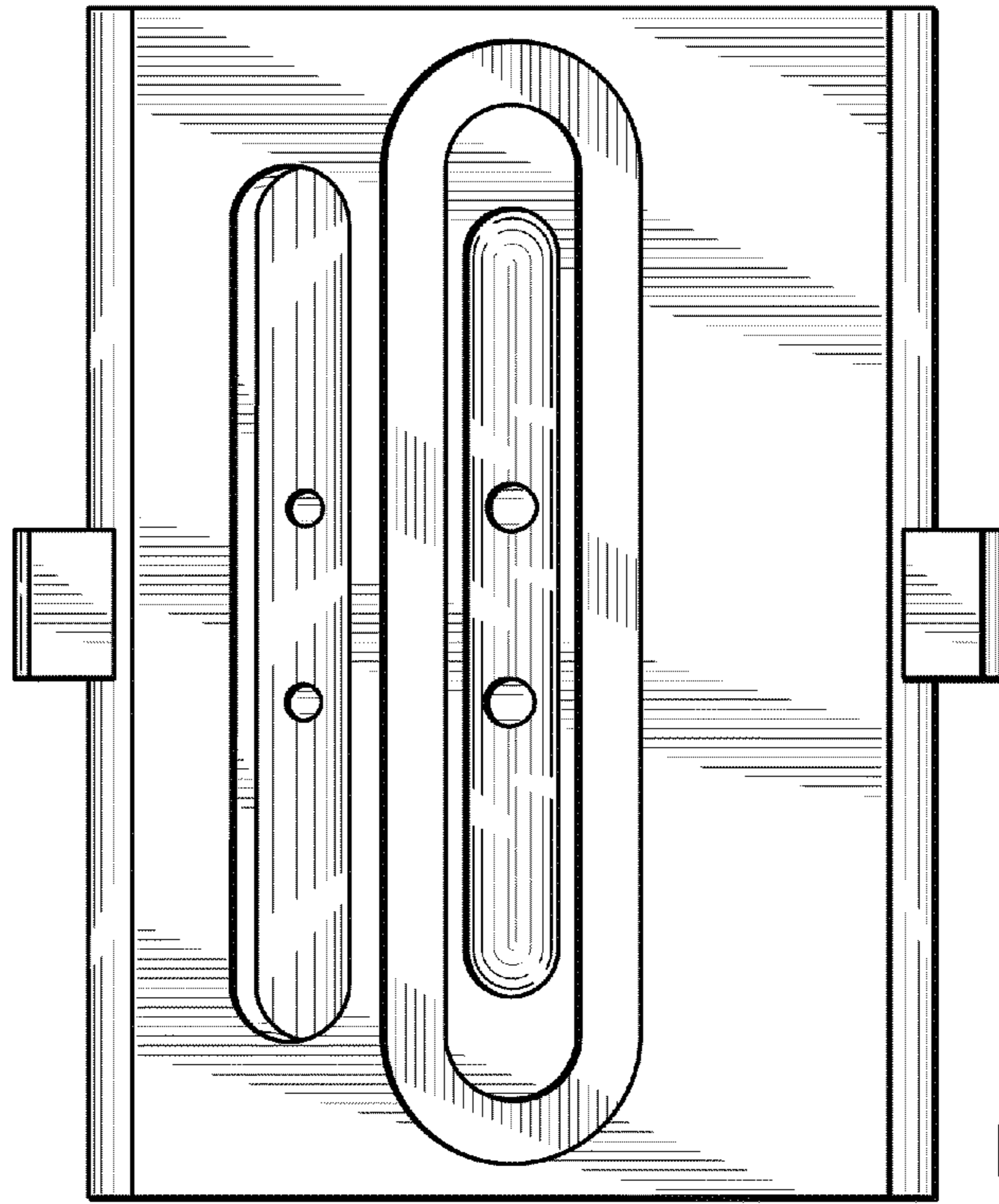


FIG. 7

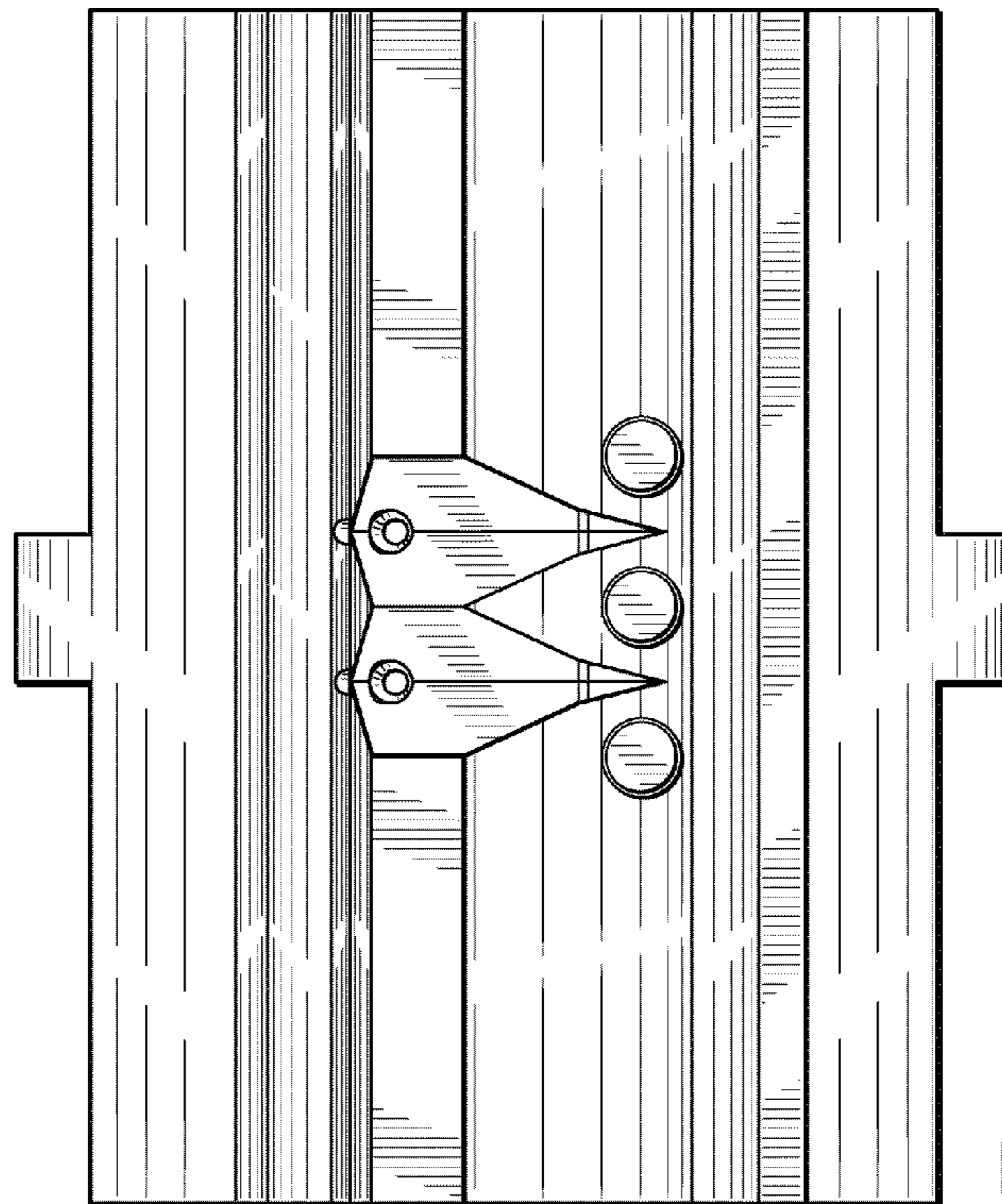


FIG. 8