



US00D673593S

(12) **United States Design Patent**
Diener

(10) **Patent No.:** **US D673,593 S**
(45) **Date of Patent:** **** Jan. 1, 2013**

(54) **OPERATING HANDWHEEL FOR MACHINES**

D463,967 S * 10/2002 Bertani D8/309
D492,180 S * 6/2004 Bertani D8/309
D495,231 S * 8/2004 Bertani D8/309
D516,098 S * 2/2006 Billger et al. D15/28

(75) Inventor: **Benjamin Diener**, Ulm (DE)

(73) Assignee: **Otto Ganter GmbH & Co. KG**
Normteilefabrik, Furtwangen (DE)

* cited by examiner

(**) Term: **14 Years**

Primary Examiner — Patricia Palasik
(74) *Attorney, Agent, or Firm* — The Maxham Firm

(21) Appl. No.: **29/404,687**

(57) **CLAIM**
The ornamental design for a operating handwheel for machines, as shown and described.

(22) Filed: **Oct. 24, 2011**

DESCRIPTION

Related U.S. Application Data

(62) Division of application No. 29/331,416, filed on Jan. 26, 2009, now Pat. No. Des. 654,938.

FIG. 1 is a top perspective view of a handwheel according to an embodiment of the invention;
FIG. 2 is an elevation view thereof;
FIG. 3 is a plan view thereof;
FIG. 4 is a bottom view thereof;
FIG. 5 is a top perspective view of a second embodiment of the handwheel according to the invention;
FIG. 6 is an elevation view thereof;
FIG. 7 is a plan view thereof;
FIG. 8 is a bottom view thereof;
FIG. 9 is a top perspective view of the FIG. 5 embodiment with the handle folded into a groove formed to encase the handle;
FIG. 10 is an elevation view of the FIG. 5 embodiment with the handle folded as shown in FIG. 9;
FIG. 11 is a top perspective view of a third embodiment of the handwheel according to the invention;
FIG. 12 is an elevation view thereof;
FIG. 13 is a plan view thereof; and,
FIG. 14 is a bottom view thereof.

(30) **Foreign Application Priority Data**

Jul. 25, 2008 (EP) 000977301

(51) **LOC (9) Cl.** **15-09**

(52) **U.S. Cl.** **D15/138**

(58) **Field of Classification Search** D8/300,
D8/306–310, 352; D15/142; 16/429, 432;
74/545, 552, 553, 555–558

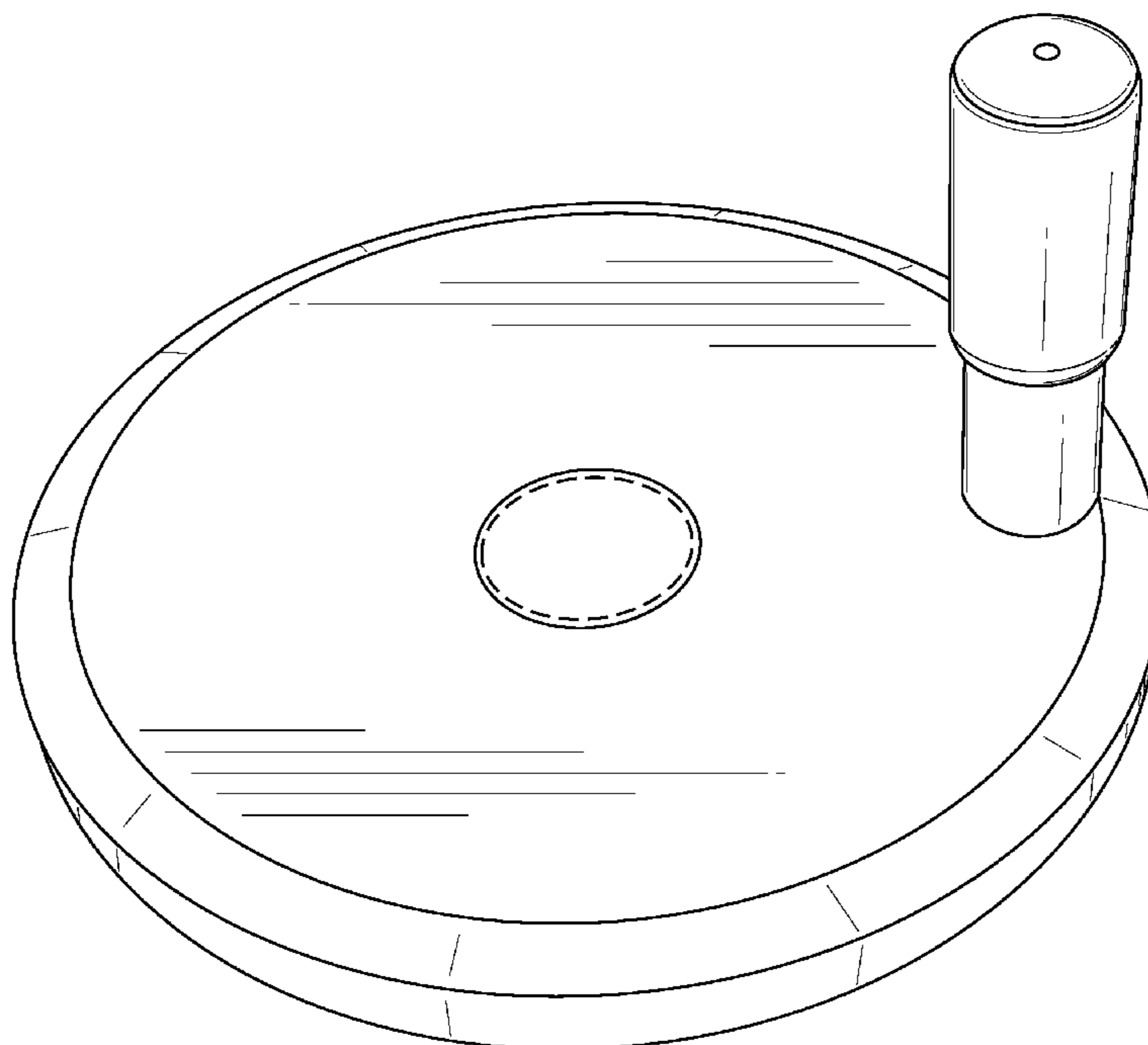
See application file for complete search history.

(56) **References Cited**

U.S. PATENT DOCUMENTS

4,155,589 A * 5/1979 Kouth 296/214
D289,370 S * 4/1987 Bertani D8/309
D336,233 S * 6/1993 Zimmermann D8/309
D369,966 S * 5/1996 Decursu et al. D8/309
D373,064 S * 8/1996 Decursu et al. D8/309

1 Claim, 14 Drawing Sheets



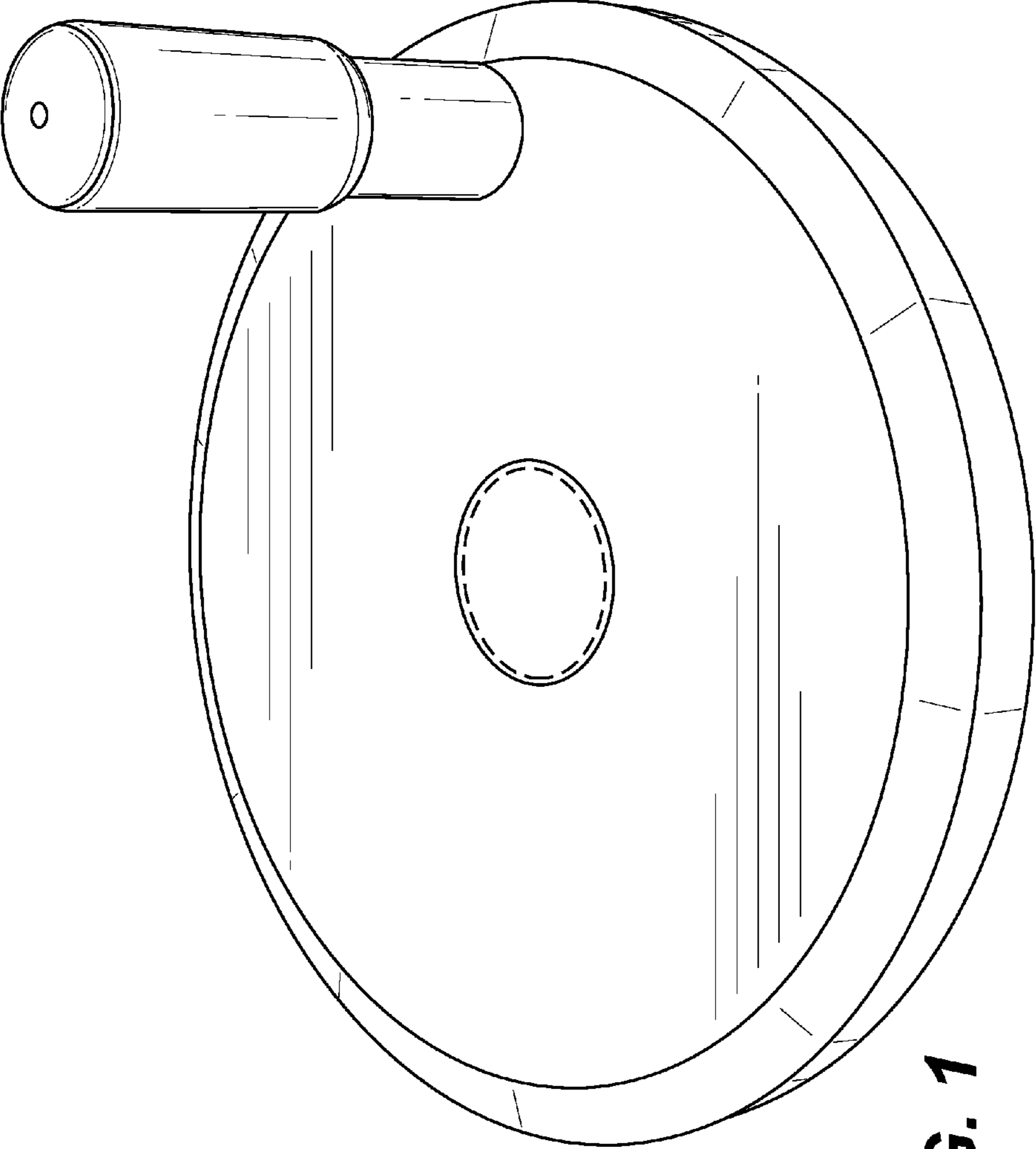


FIG. 1

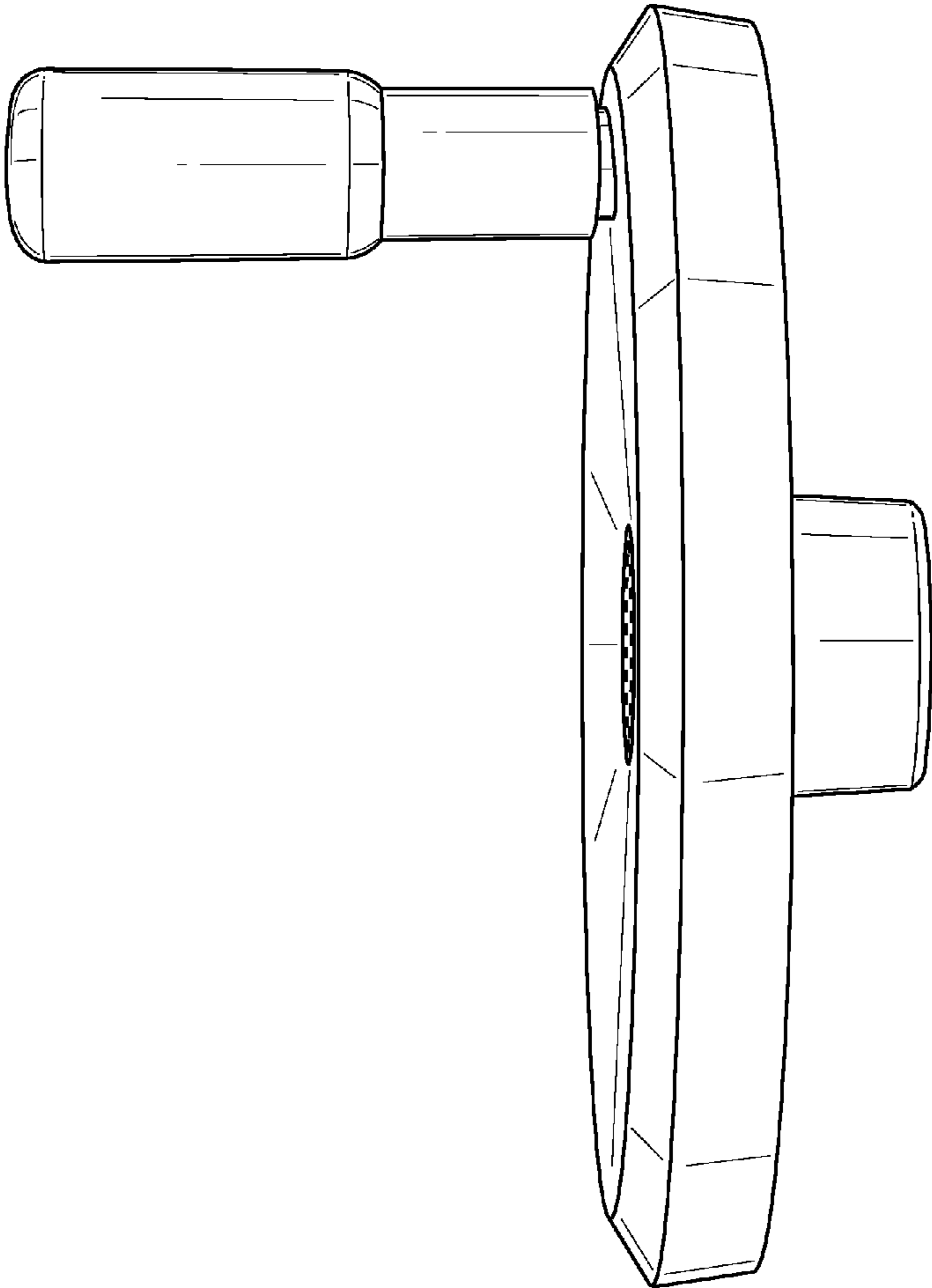


FIG. 2

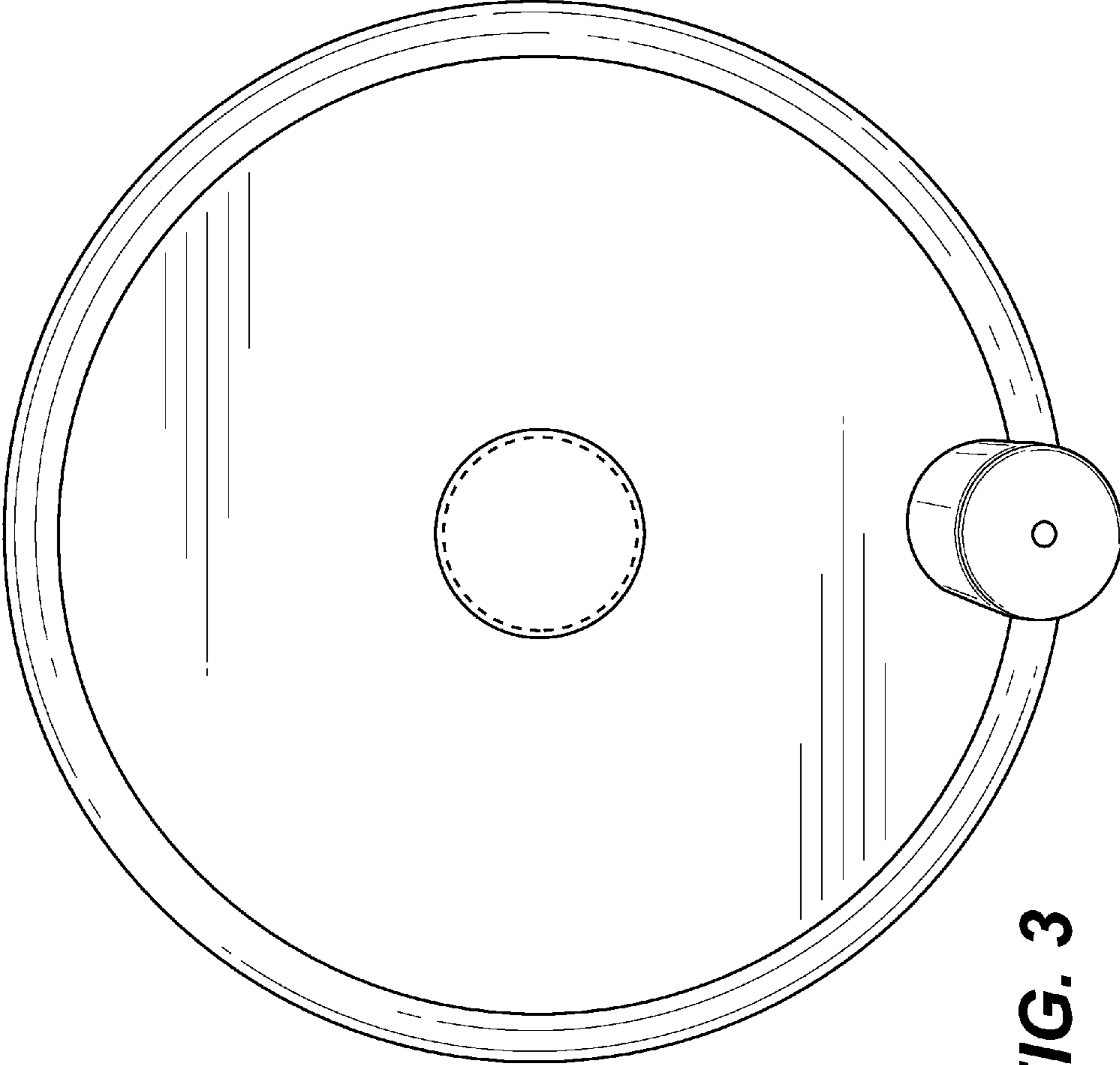


FIG. 3

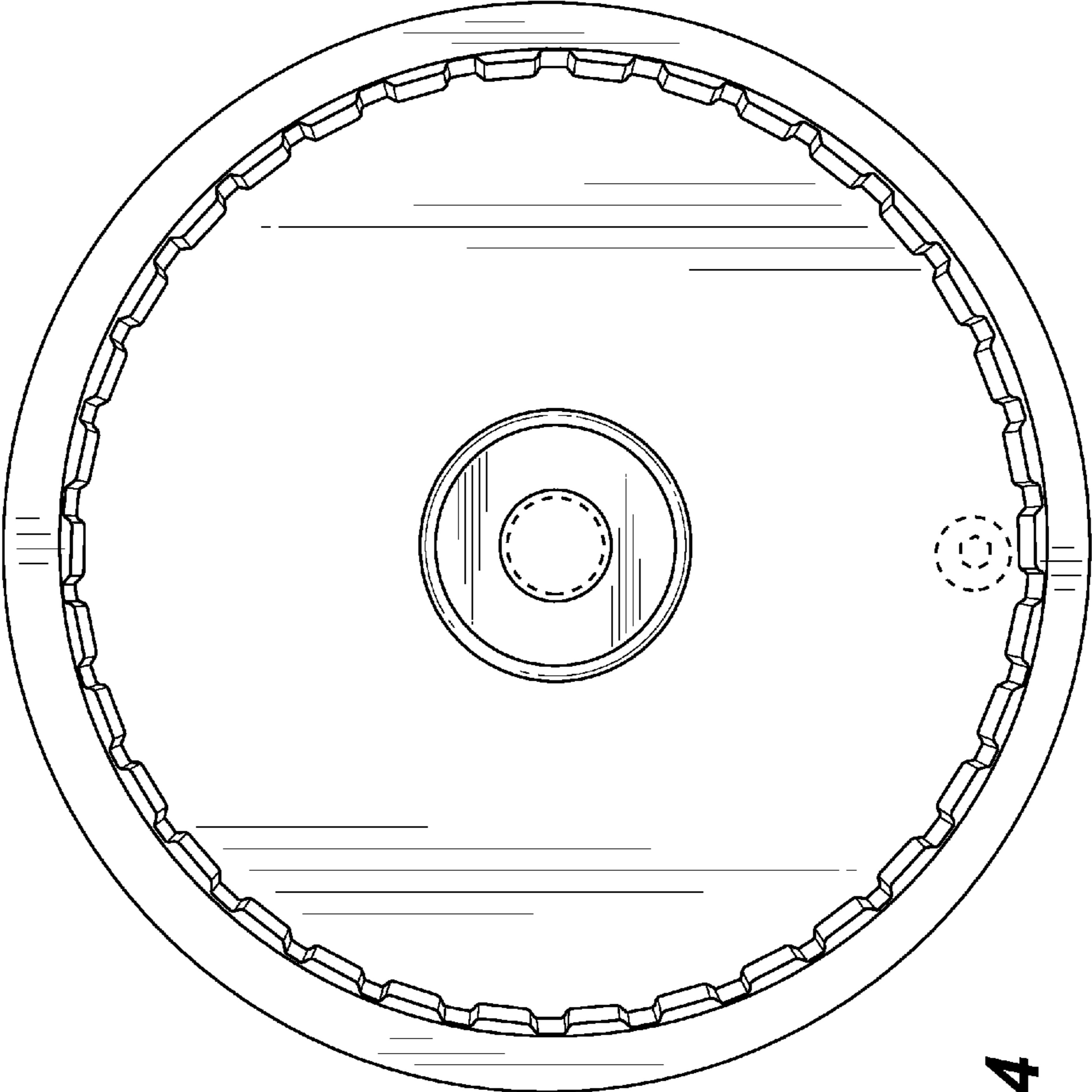


FIG. 4

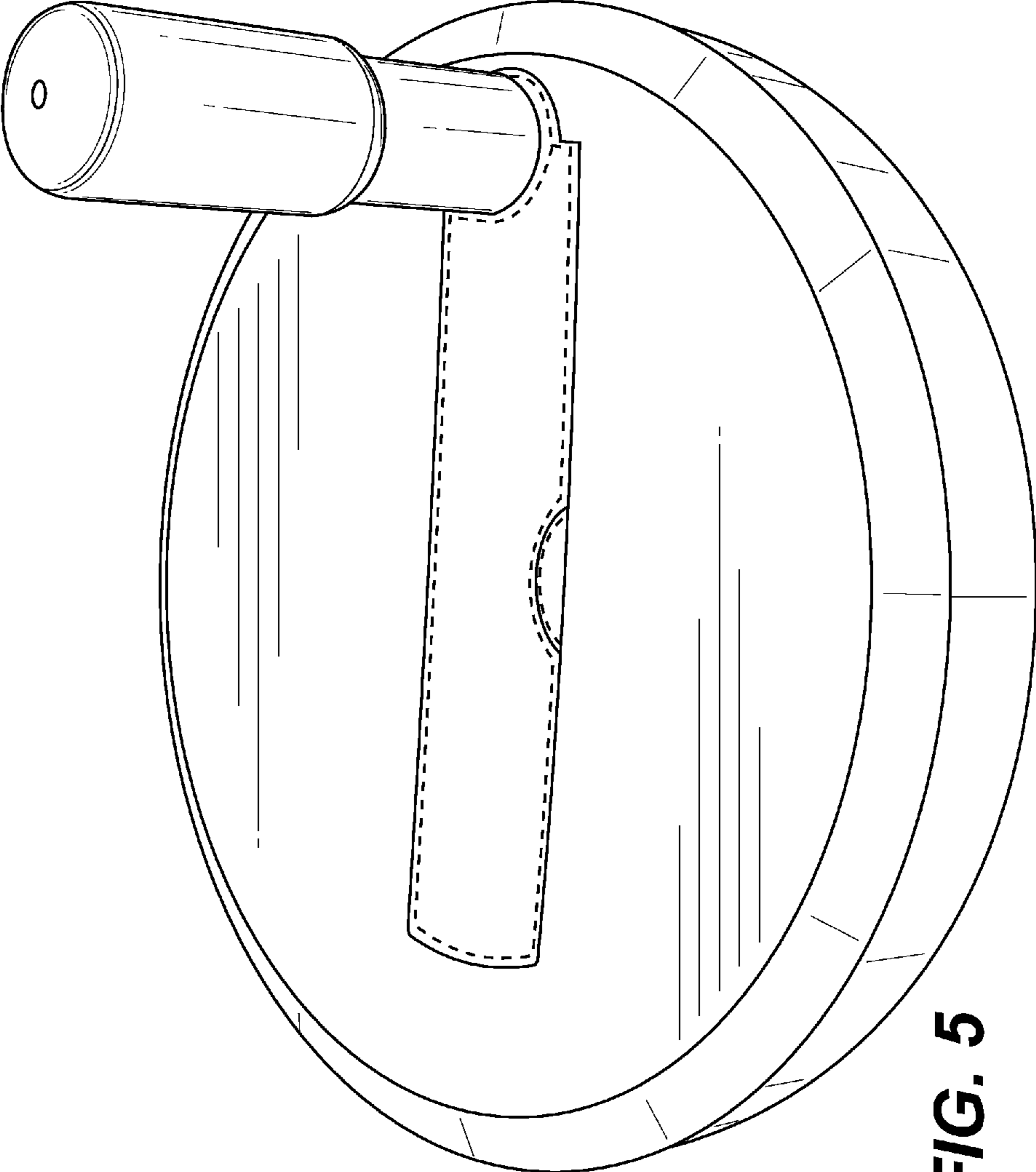


FIG. 5

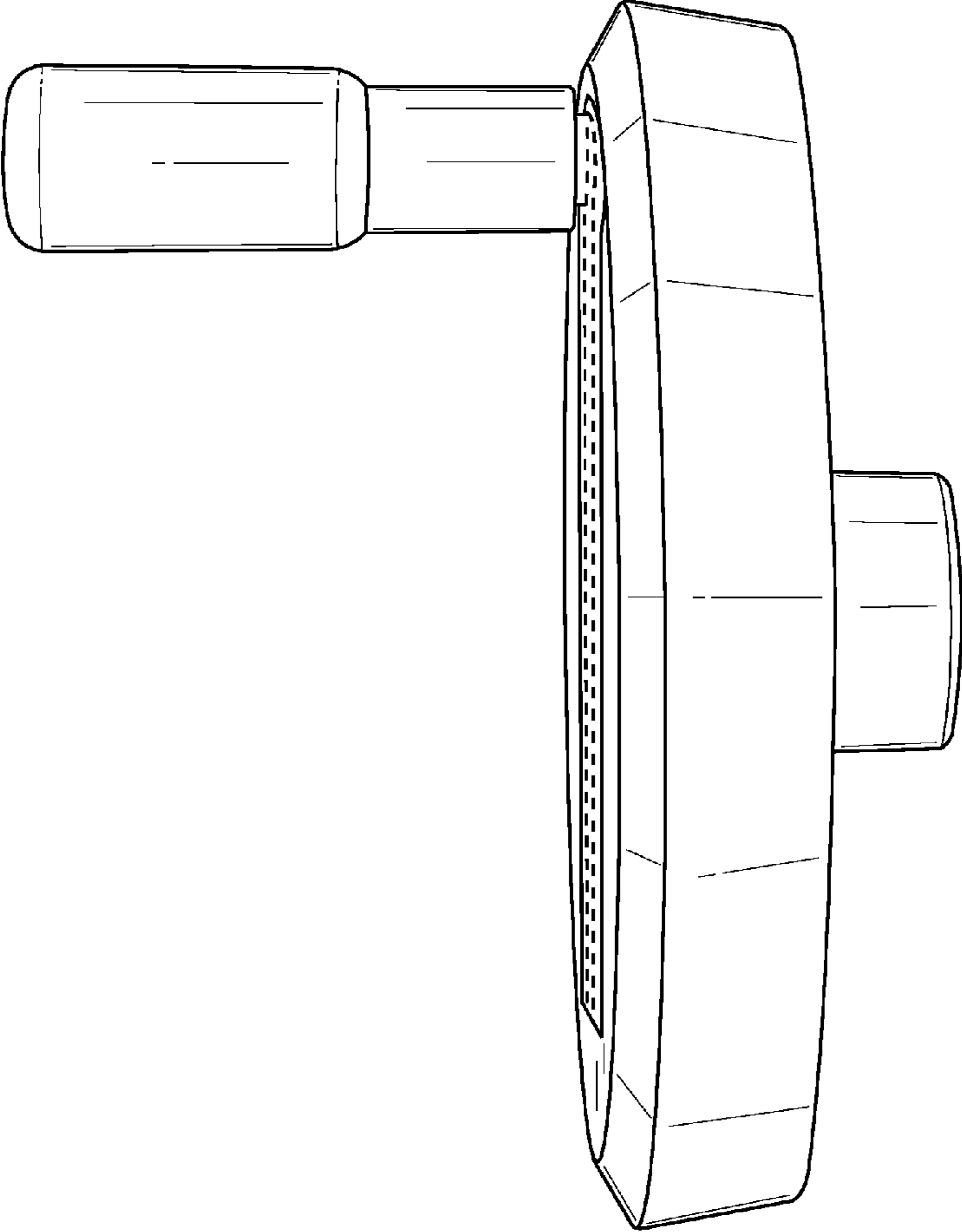


FIG. 6

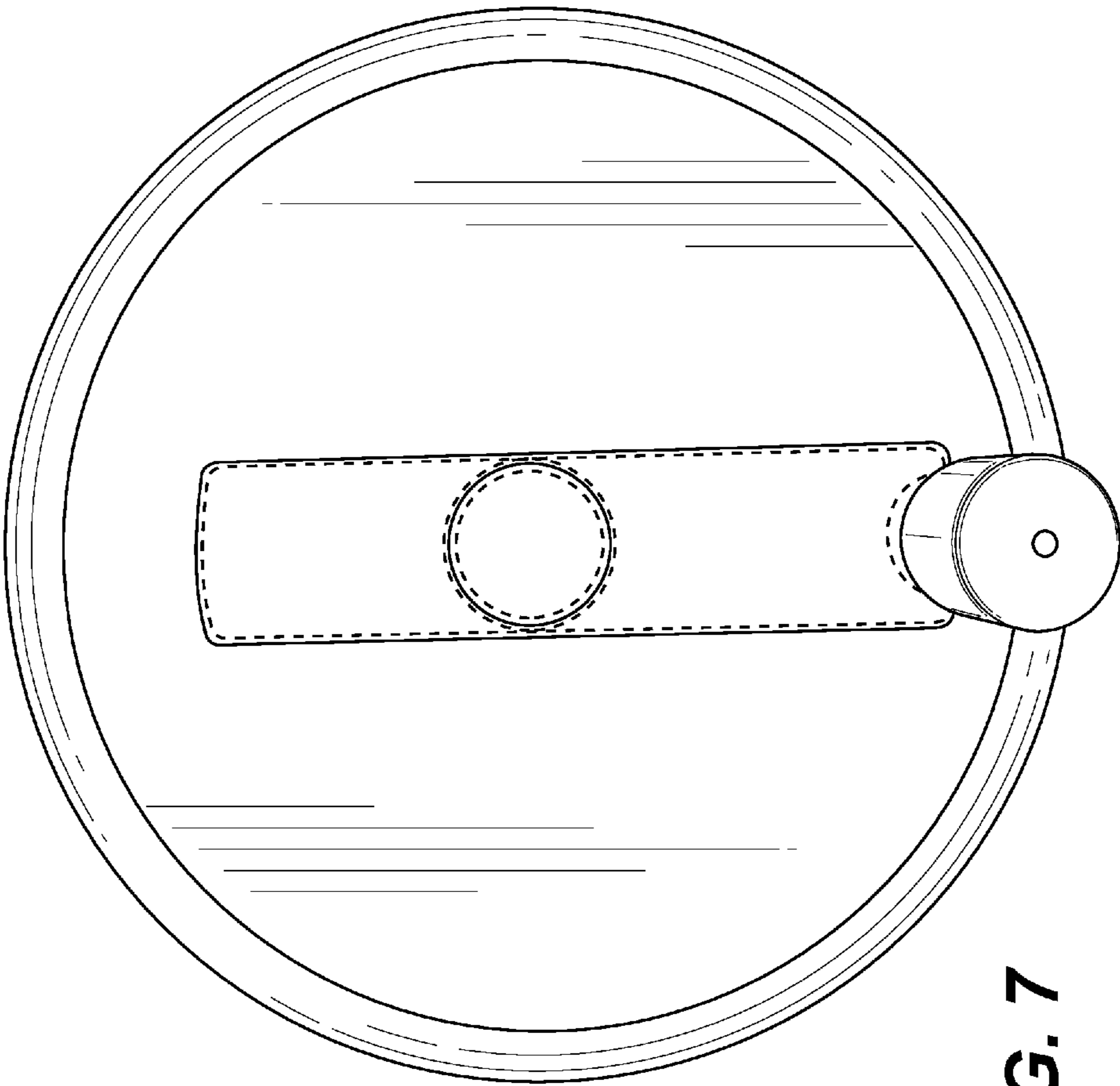


FIG. 7

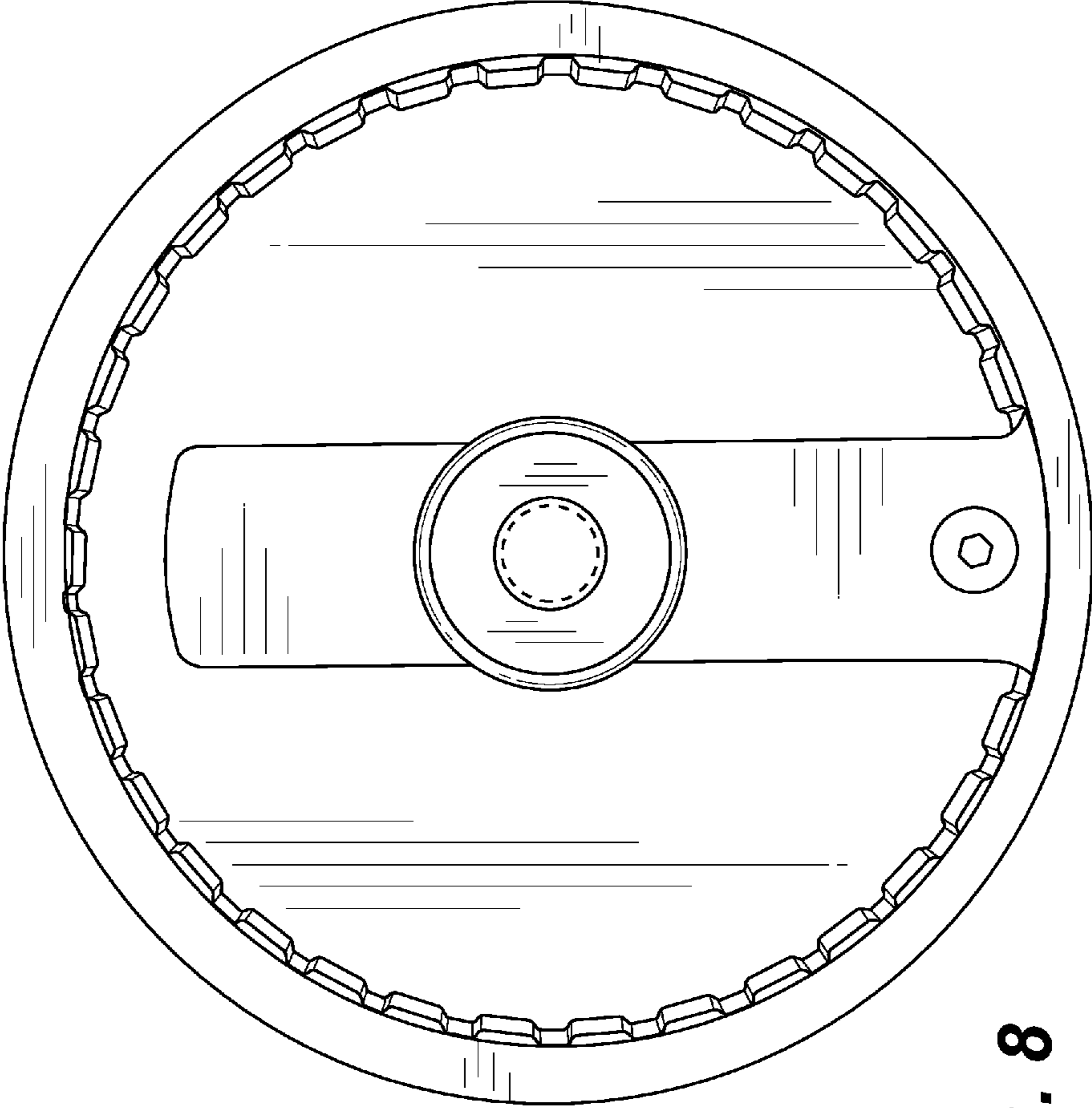


FIG. 8

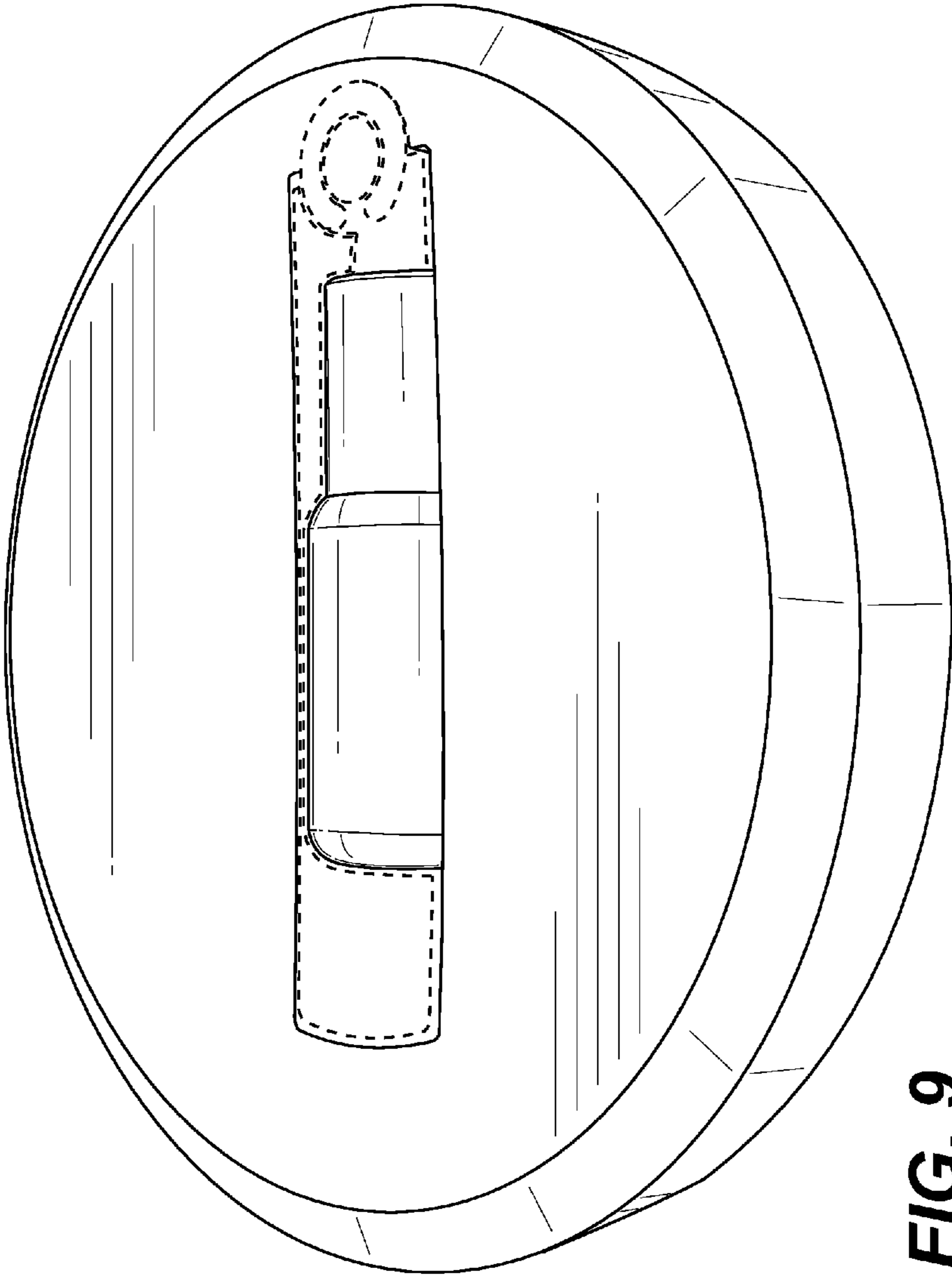


FIG. 9

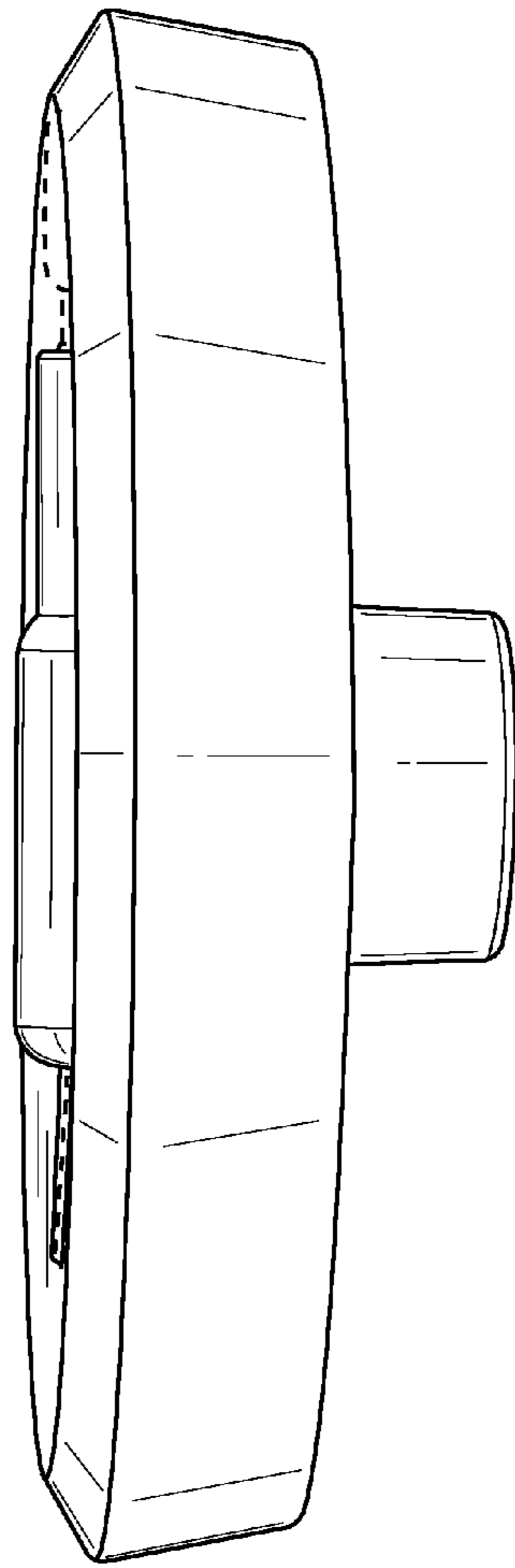


FIG. 10

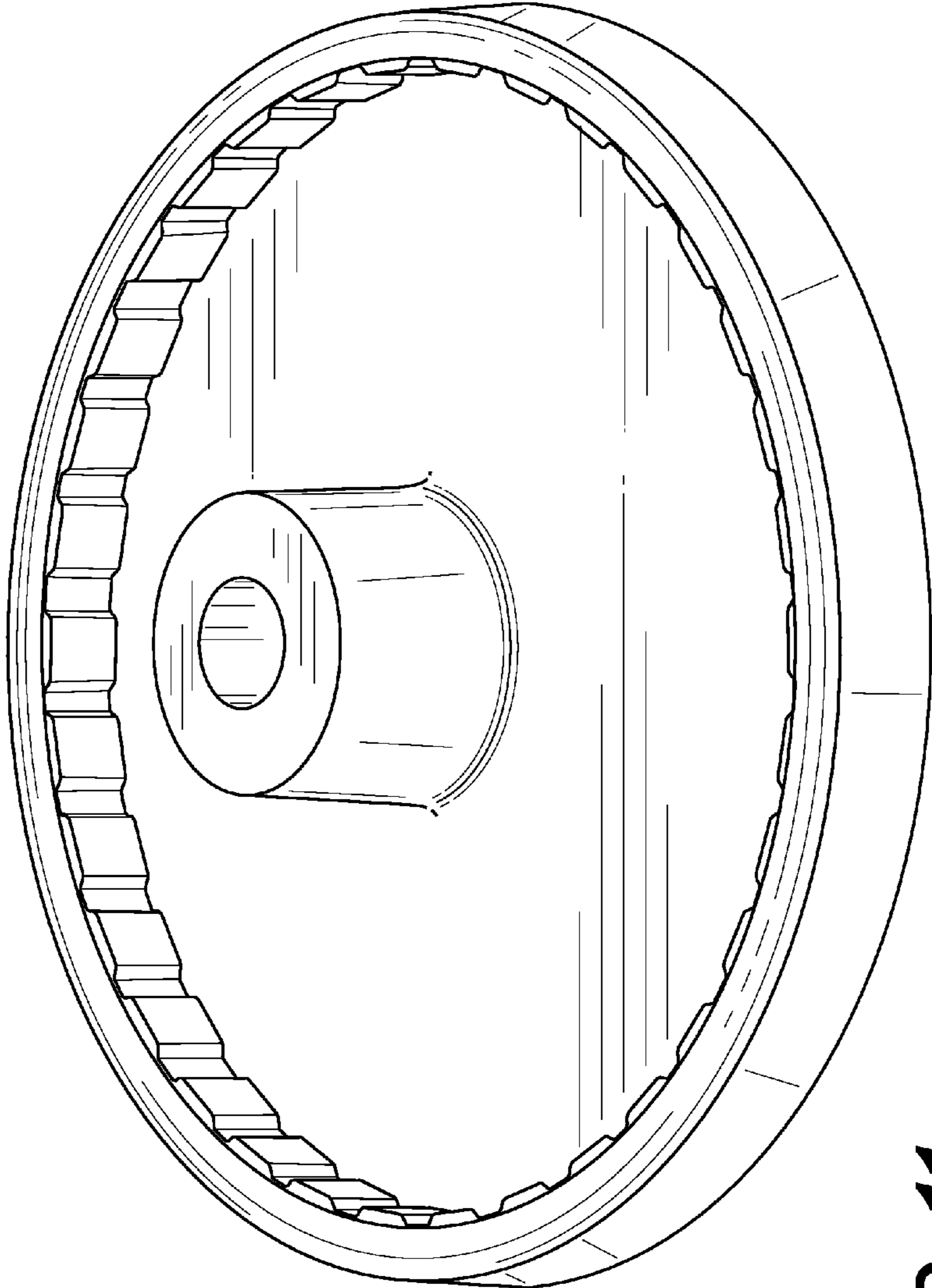


FIG. 11

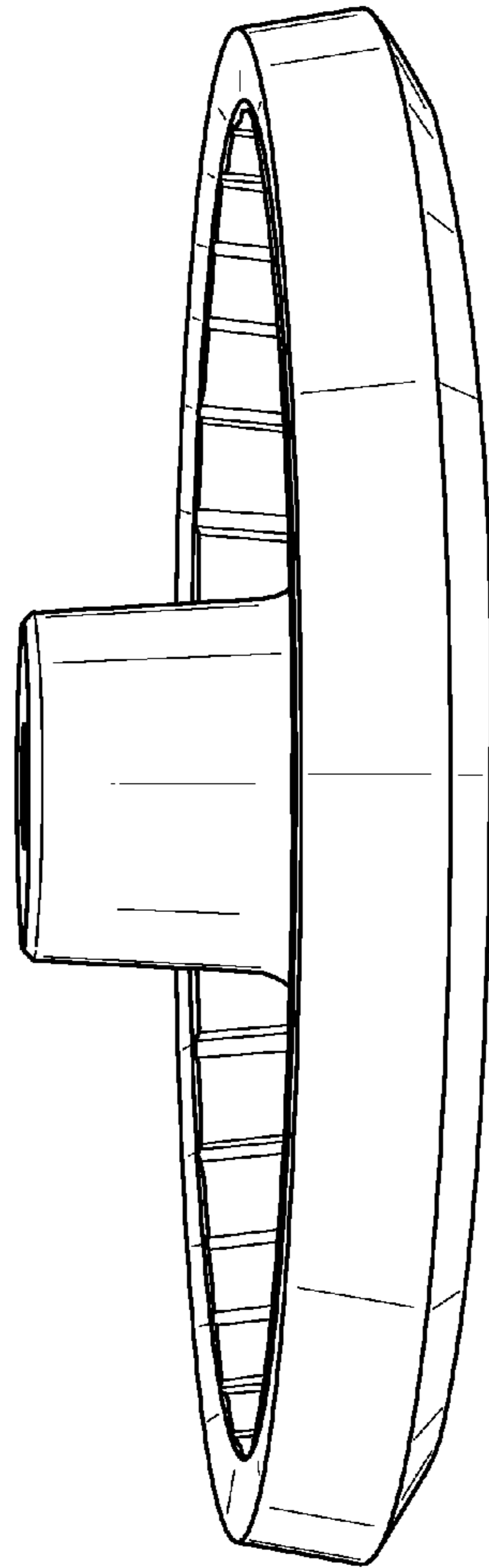


FIG. 12

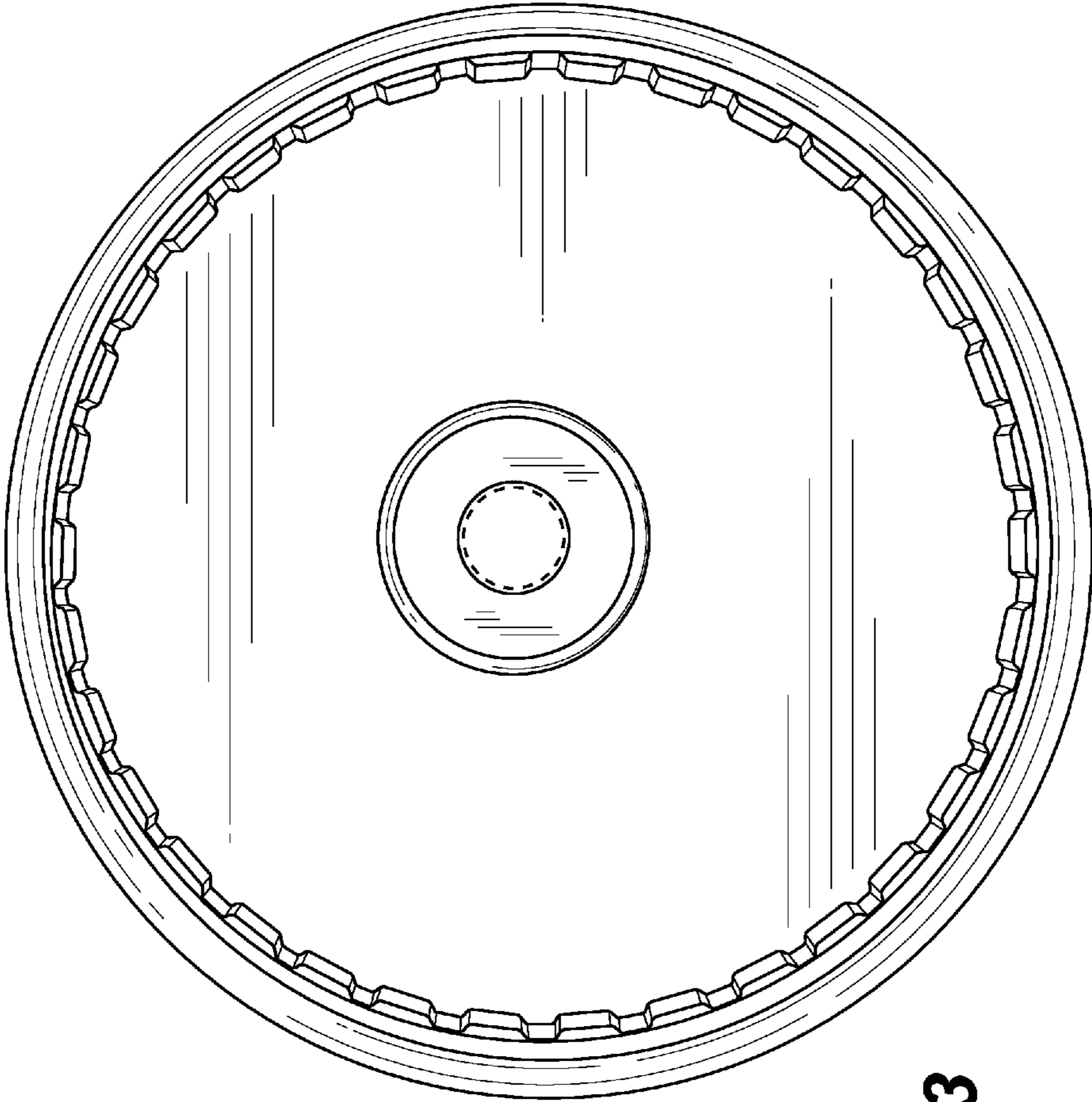


FIG. 13

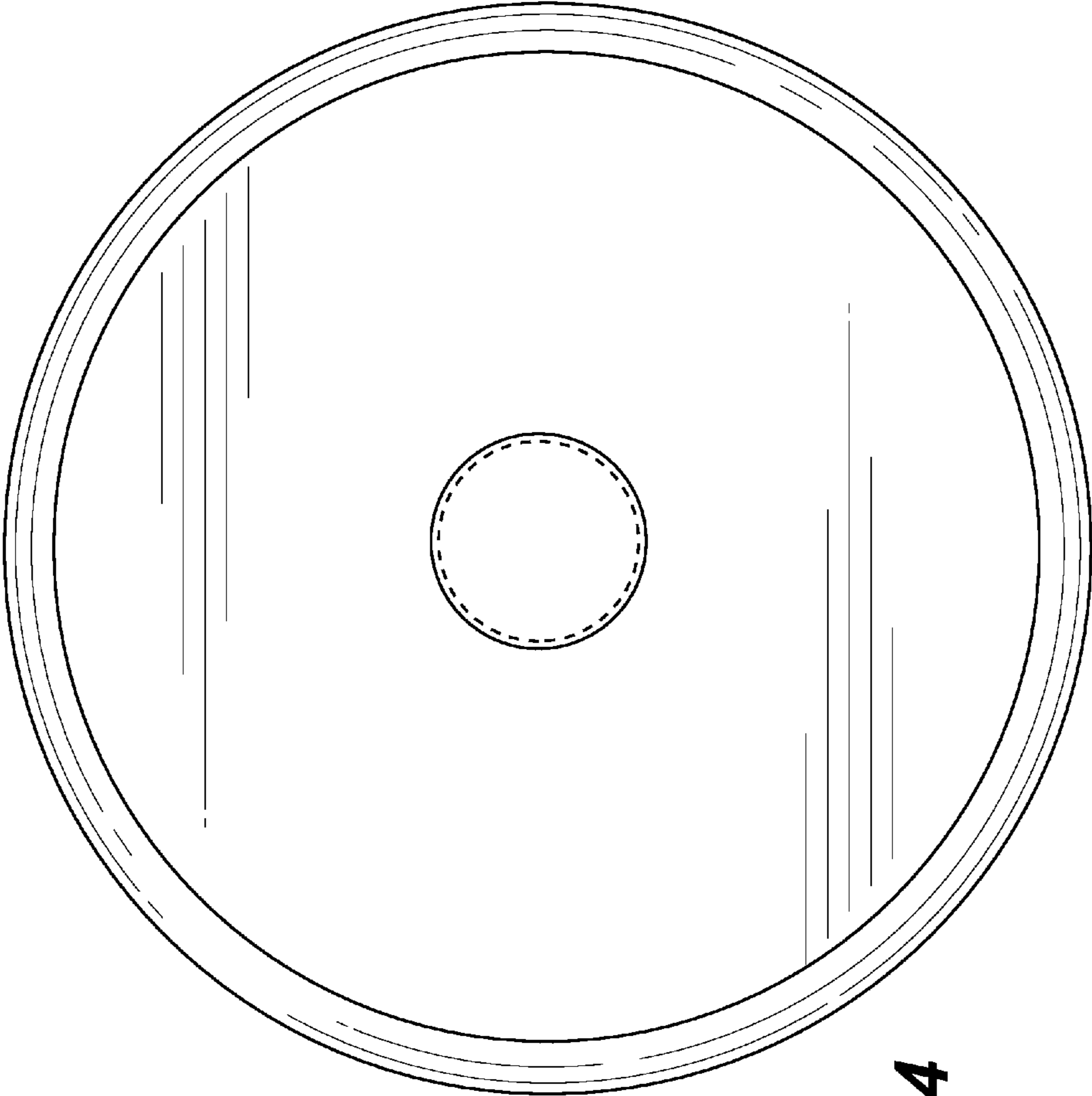


FIG. 14