

US00D673591S

(12) **United States Design Patent**
Surowaniec

(10) **Patent No.:** **US D673,591 S**
(45) **Date of Patent:** **** Jan. 1, 2013**

(54) **OPTICAL DISC RESTORATION MACHINE**

(75) **Inventor:** **Marusz Surowaniec**, Thompson, CT
(US)

(73) **Assignee:** **Venmill Industries Incorporated**,
Uxbridge, MA (US)

(**) **Term:** **14 Years**

(21) **Appl. No.:** **29/422,276**

(22) **Filed:** **May 18, 2012**

(51) **LOC (9) Cl.** **15-09**

(52) **U.S. Cl.** **D15/124**

(58) **Field of Classification Search** D8/62,
D8/63; D14/299, 363, 368; D15/122, 124,
D15/125, 126; 15/21.1, 77, 88.2, 88.3, 102,
15/256.51; 51/7, 41, 287; 144/16; 369/72;
451/2, 59, 60, 63, 72, 254, 258-262, 283,
451/287, 290, 291, 359, 446, 451, 459, 460

See application file for complete search history.

(56) **References Cited**

U.S. PATENT DOCUMENTS

D138,971	S	*	10/1944	Bowen	D15/124
D210,893	S	*	4/1968	Fischione	D15/124
4,512,107	A	*	4/1985	Jones	451/160
D280,202	S	*	8/1985	Aldridge, Jr.	D15/124
4,736,475	A	*	4/1988	Ekhoff	451/258
D305,644	S	*	1/1990	Rivera et al.	D14/363
D326,463	S	*	5/1992	Jacks	D15/125
D390,577	S	*	2/1998	Imahashi	D15/124
5,860,181	A		1/1999	Maekawa et al.		
5,954,566	A		9/1999	Bauer		
6,386,946	B1		5/2002	Ling		
D474,212	S	*	5/2003	Domaille et al.	D15/124

6,595,835	B2	*	7/2003	Gadbois	451/66
6,726,527	B2	*	4/2004	Lalli et al.	451/5
6,796,877	B1	*	9/2004	Bingham et al.	451/5
6,869,344	B2		3/2005	Miyahara et al.		
D510,368	S	*	10/2005	Narita	D15/124
6,960,122	B2	*	11/2005	Lin	451/285
D585,914	S	*	2/2009	Hart	D15/124
D595,317	S	*	6/2009	Dinsdale	D15/124
7,625,263	B2		12/2009	Miyahara et al.		
D635,162	S	*	3/2011	Johansen	D15/125
8,045,440	B2		10/2011	Miyahara et al.		
D650,817	S	*	12/2011	Schumacher	D15/124
2006/0166610	A1		7/2006	Miyahara		
2011/0143636	A1		6/2011	Miyahara		

* cited by examiner

Primary Examiner — Patricia Palasik

(74) *Attorney, Agent, or Firm* — Hayes Soloway P.C.

(57) **CLAIM**

The ornamental design for an optical disc restoration machine, as shown and described.

DESCRIPTION

FIG. 1 is a top front right perspective view of an optical disc restoration machine with the back door open, showing the new design;

FIG. 2 is a top, back, left perspective view thereof;

FIG. 3 is a front view thereof;

FIG. 4 is a back view thereof;

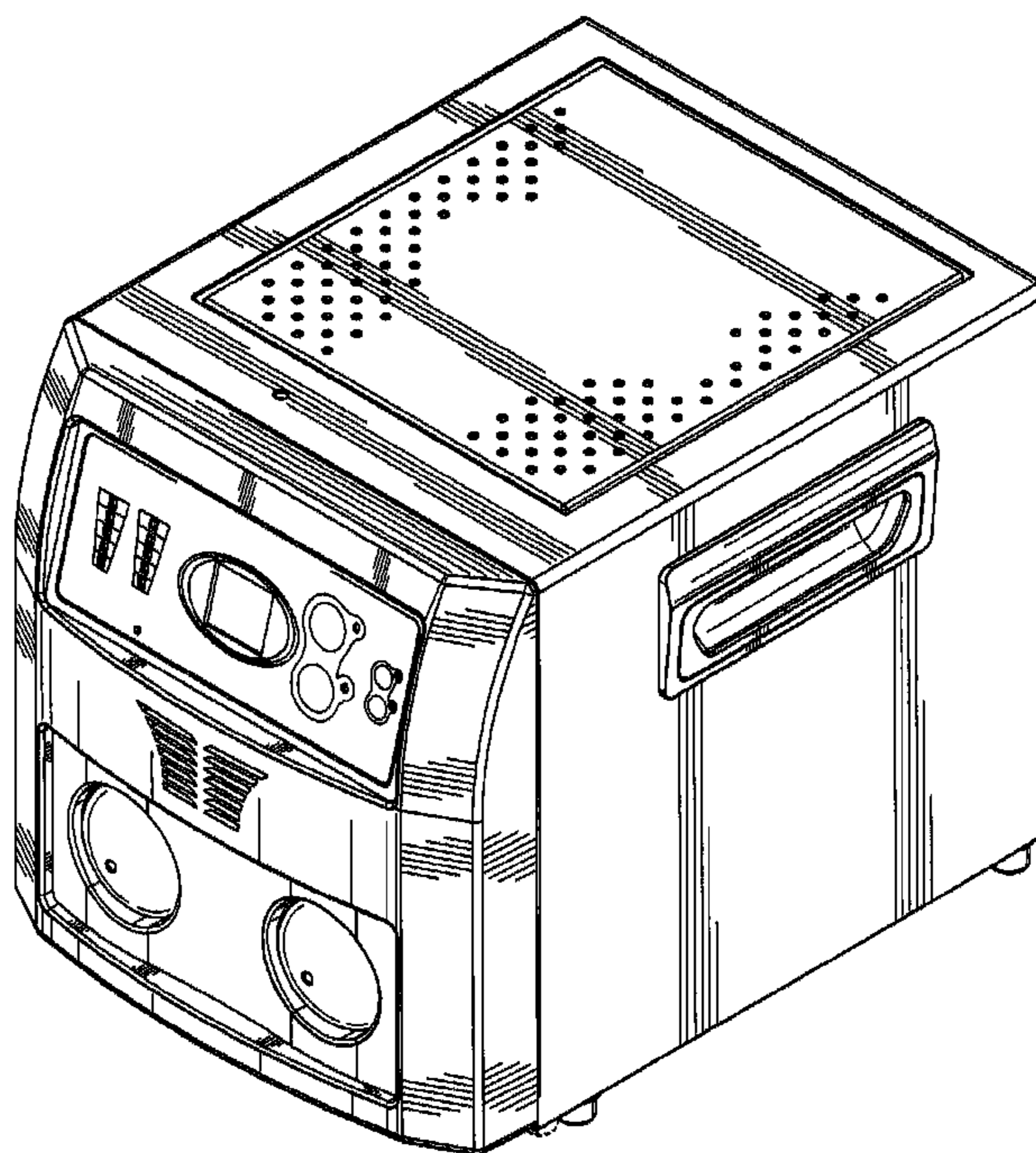
FIG. 5 is a right side view thereof;

FIG. 6 is a top plan view thereof; and,

FIG. 7 is a bottom plan view thereof.

The broken lines of the machine are for environmental purposes only and form no part of the claimed design.

1 Claim, 7 Drawing Sheets



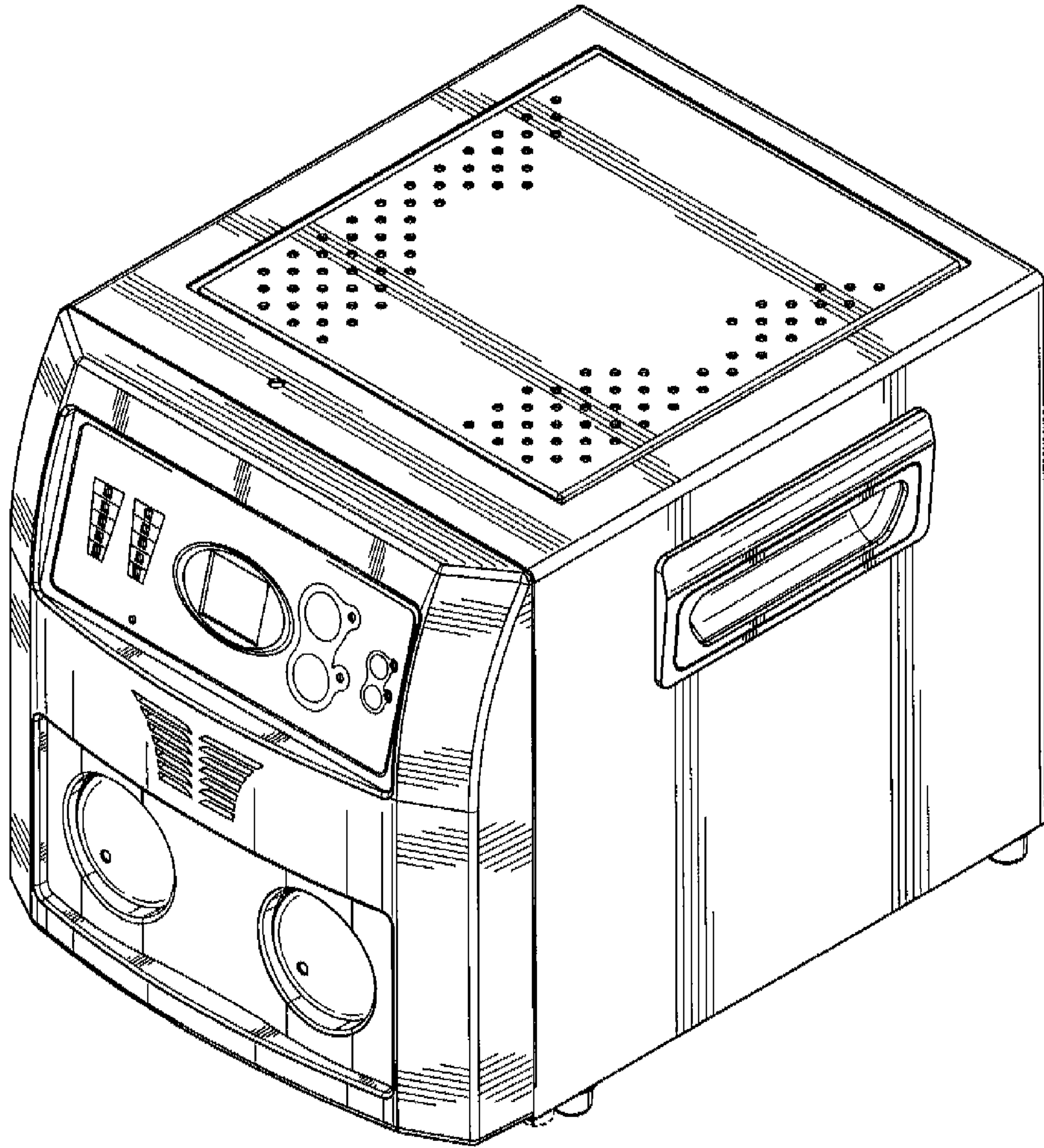


FIG. 1

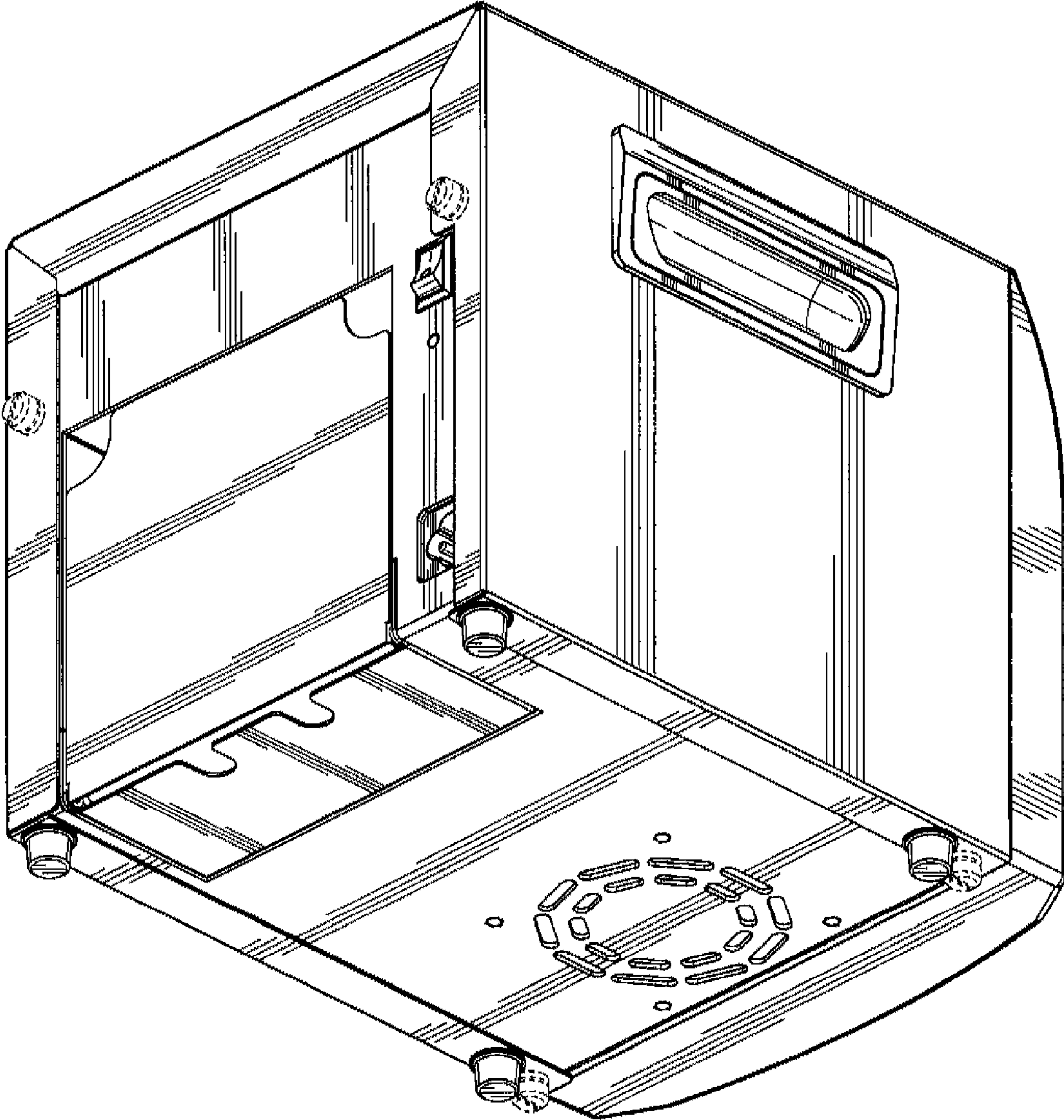


FIG. 2

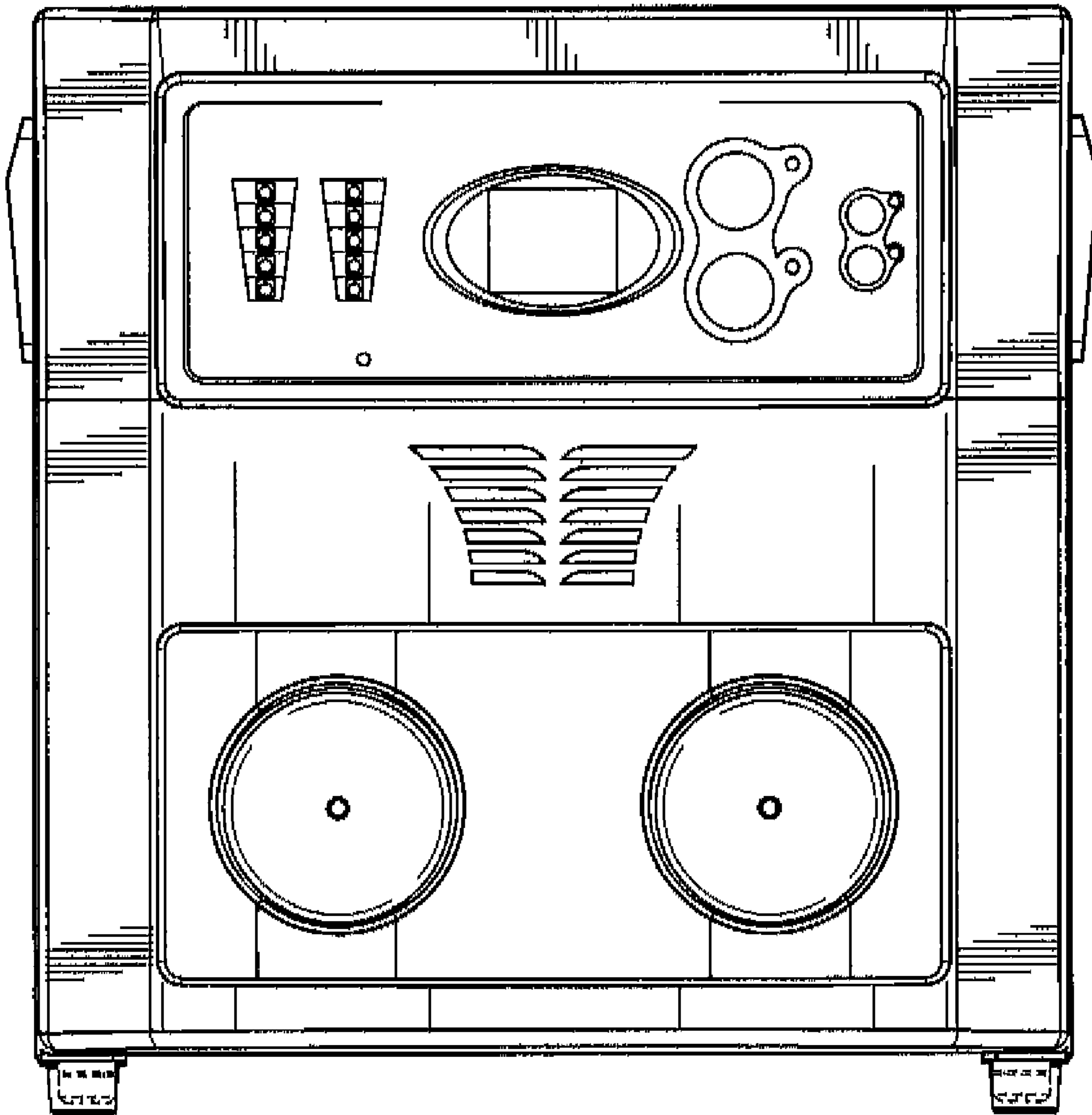


FIG. 3

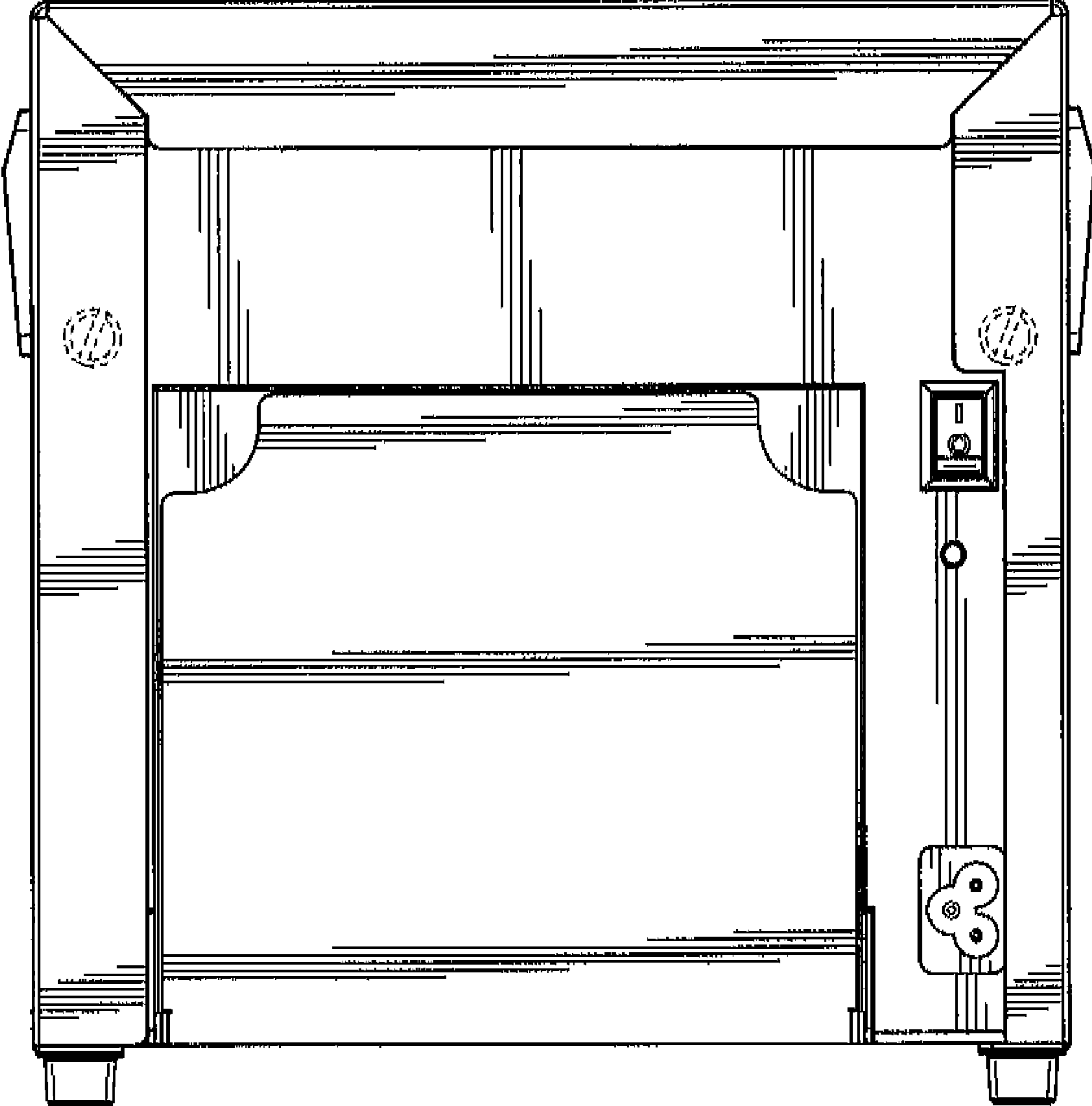


FIG. 4

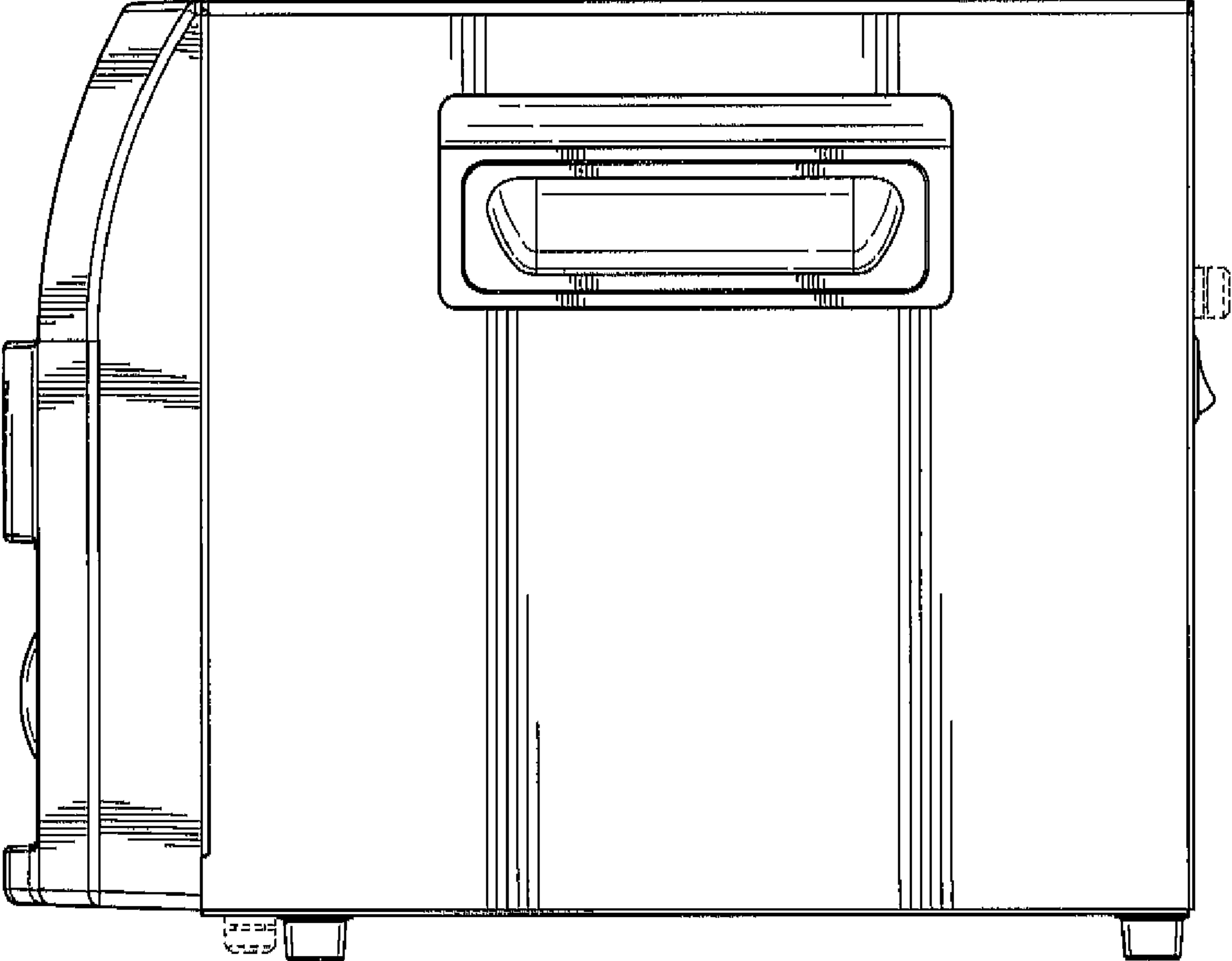


FIG. 5

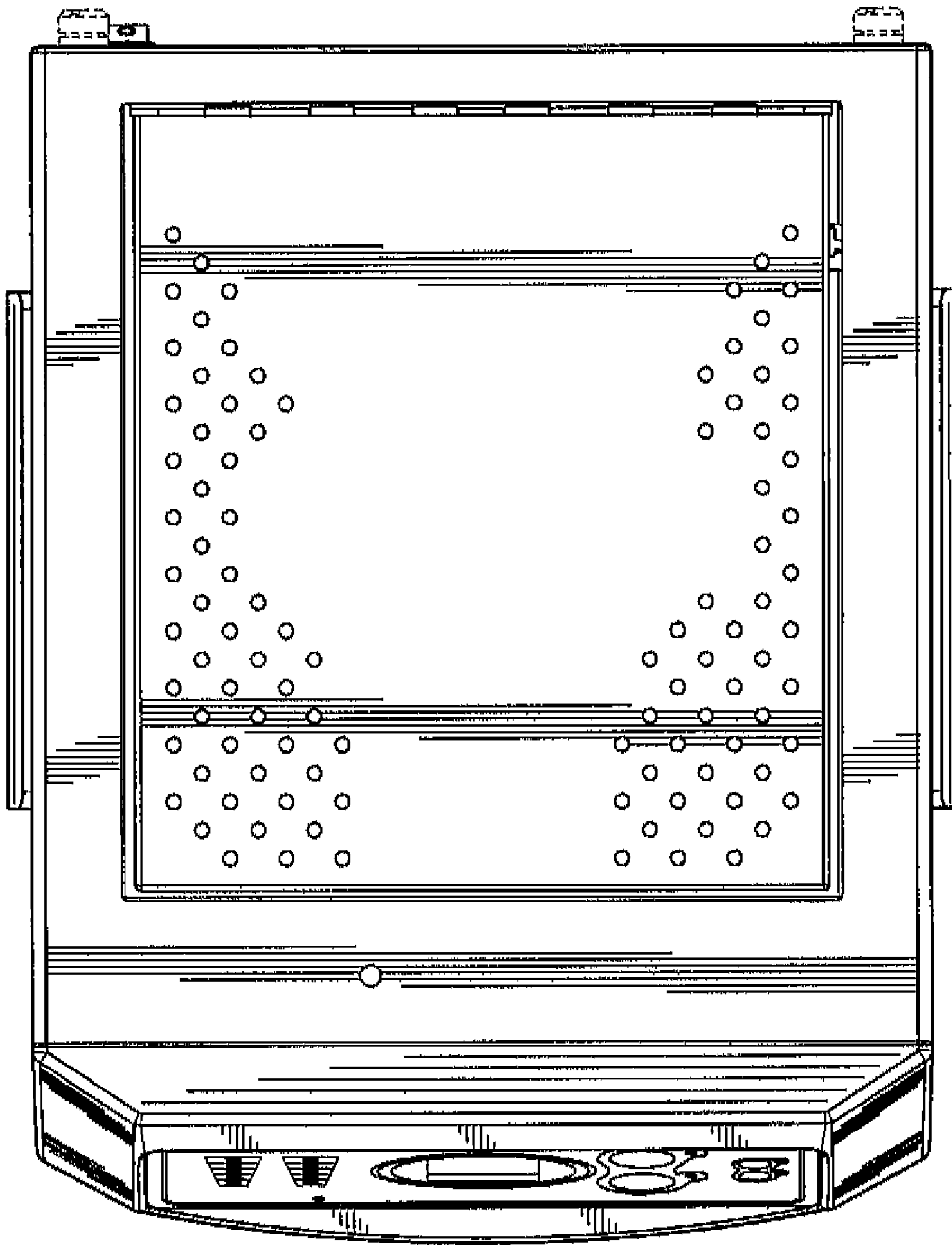


FIG. 6

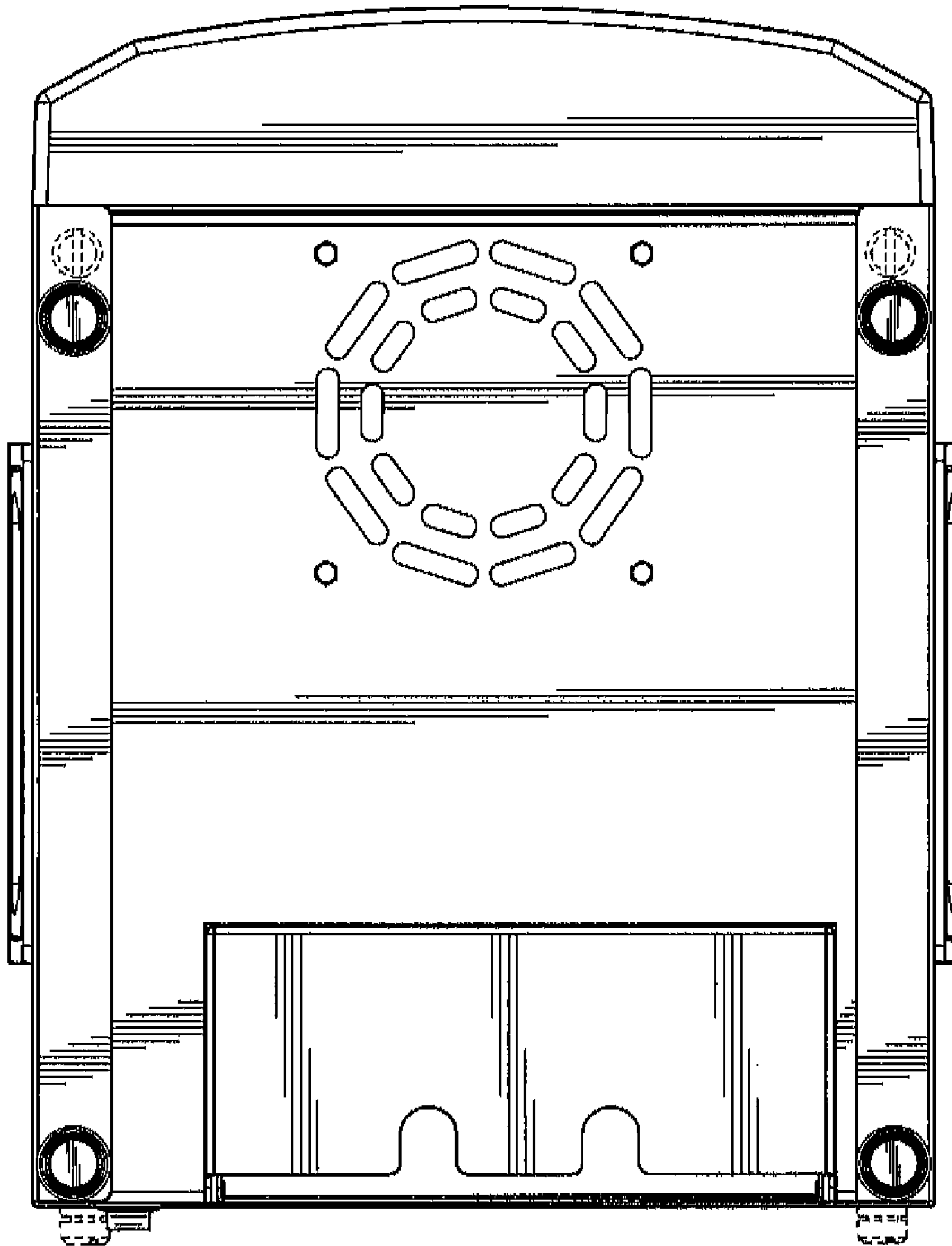


FIG. 7