



US00D673590S

(12) **United States Design Patent**  
**Dolezal**

(10) **Patent No.:** **US D673,590 S**

(45) **Date of Patent:** **\*\* Jan. 1, 2013**

(54) **CRUSHER MANTLE**

(75) **Inventor:** **Steven Keith Dolezal**, Milwaukie, OR (US)

(73) **Assignee:** **Columbia Steel Casting Co., Inc.**, Portland, OR (US)

(\*\*) **Term:** **14 Years**

(21) **Appl. No.:** **29/378,063**

(22) **Filed:** **Oct. 28, 2010**

(51) **LOC (9) Cl.** ..... **15-09**

(52) **U.S. Cl.** ..... **D15/123**

(58) **Field of Classification Search** ..... D15/123;  
100/35, 41, 137, 179, 185, 193, 237, 259,  
100/260, 264, 280, 289, 982; 241/215  
See application file for complete search history.

(56) **References Cited**

U.S. PATENT DOCUMENTS

1,999,756	A *	4/1935	Goldberg	.....	241/209
3,312,404	A *	4/1967	Allen	.....	241/215
3,565,353	A *	2/1971	Adam	.....	241/207
3,565,354	A *	2/1971	Royce	.....	241/209
3,666,188	A *	5/1972	Lippmann	.....	241/213
D355,420	S *	2/1995	Cho	.....	D15/5
5,732,895	A *	3/1998	Karra	.....	241/207
5,850,978	A *	12/1998	Jacobson	.....	241/215
5,967,431	A *	10/1999	Stafford et al.	.....	241/30
6,135,831	A *	10/2000	Lanni et al.	.....	440/49
D437,863	S *	2/2001	Terenzio	.....	D15/123
6,561,447	B2 *	5/2003	Wu	.....	241/169.1
6,604,699	B1 *	8/2003	Polinski et al.	.....	241/30
6,851,635	B2 *	2/2005	McCowin	.....	241/169.1
7,007,878	B2 *	3/2006	Strong	.....	241/236
D588,158	S *	3/2009	Fausett et al.	.....	D15/5
7,857,248	B2 *	12/2010	Eriksson et al.	.....	241/207

8,033,491	B2 *	10/2011	Solomon et al.	.....	241/209
2005/0269436	A1 *	12/2005	Sawant et al.	.....	241/215
2006/0163399	A1	7/2006	Cerda et al.	.....	
2007/0119996	A1 *	5/2007	Cerda et al.	.....	241/207

FOREIGN PATENT DOCUMENTS

JP	2009082848	4/2009
WO	WO2006/092742	9/2006

\* cited by examiner

*Primary Examiner* — Patricia Palasik

(74) *Attorney, Agent, or Firm* — Klarquist Sparkman, LLP

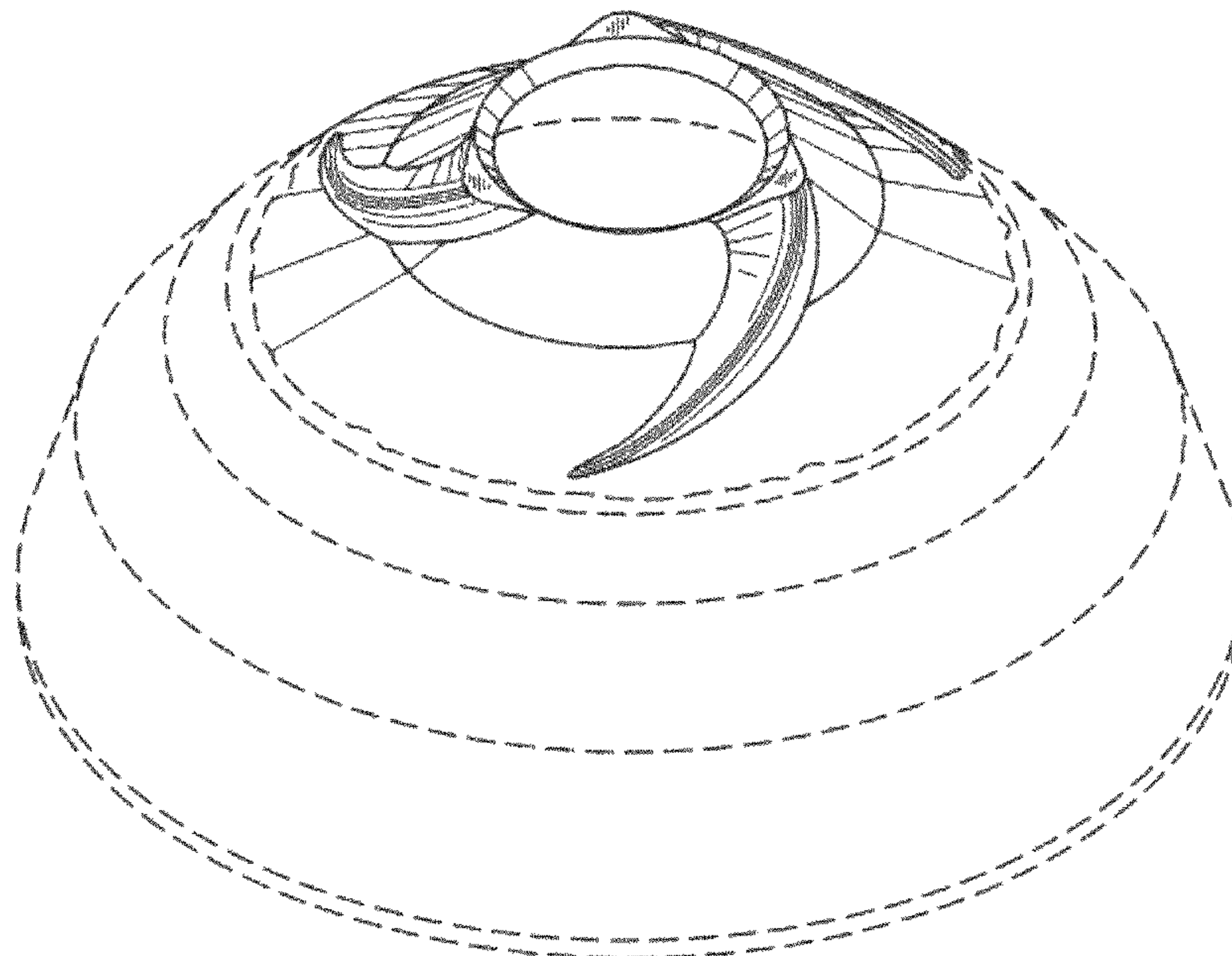
(57) **CLAIM**

The ornamental design for a crusher mantle, as shown and described.

**DESCRIPTION**

FIG. 1 is a perspective view of a crusher mantle.  
 FIG. 2 is a bottom side view of the crusher mantle of FIG. 1.  
 FIG. 3 is a top side view of the crusher mantle of FIG. 1.  
 FIG. 4 is a front side view of the crusher mantle of FIG. 1.  
 FIG. 5 is a left side view of the crusher mantle of FIG. 1.  
 FIG. 6 is a right side view of the crusher mantle of FIG. 1.  
 FIG. 7 is a rear side view of the crusher mantle of FIG. 1.  
 FIG. 8 is a perspective view of a crusher mantle according to a second embodiment.  
 FIG. 9 is a bottom side view of the crusher mantle of FIG. 8.  
 FIG. 10 is a top side view of the crusher mantle of FIG. 8.  
 FIG. 11 is a front side view of the crusher mantle of FIG. 8.  
 FIG. 12 is a left side view of the crusher mantle of FIG. 8.  
 FIG. 13 is a right side view of the crusher mantle of FIG. 8; and,  
 FIG. 14 is a rear side view of the crusher mantle of FIG. 8.  
 The broken lines shown herein are for illustrative purposes only and form no part of the claimed design.

**1 Claim, 6 Drawing Sheets**



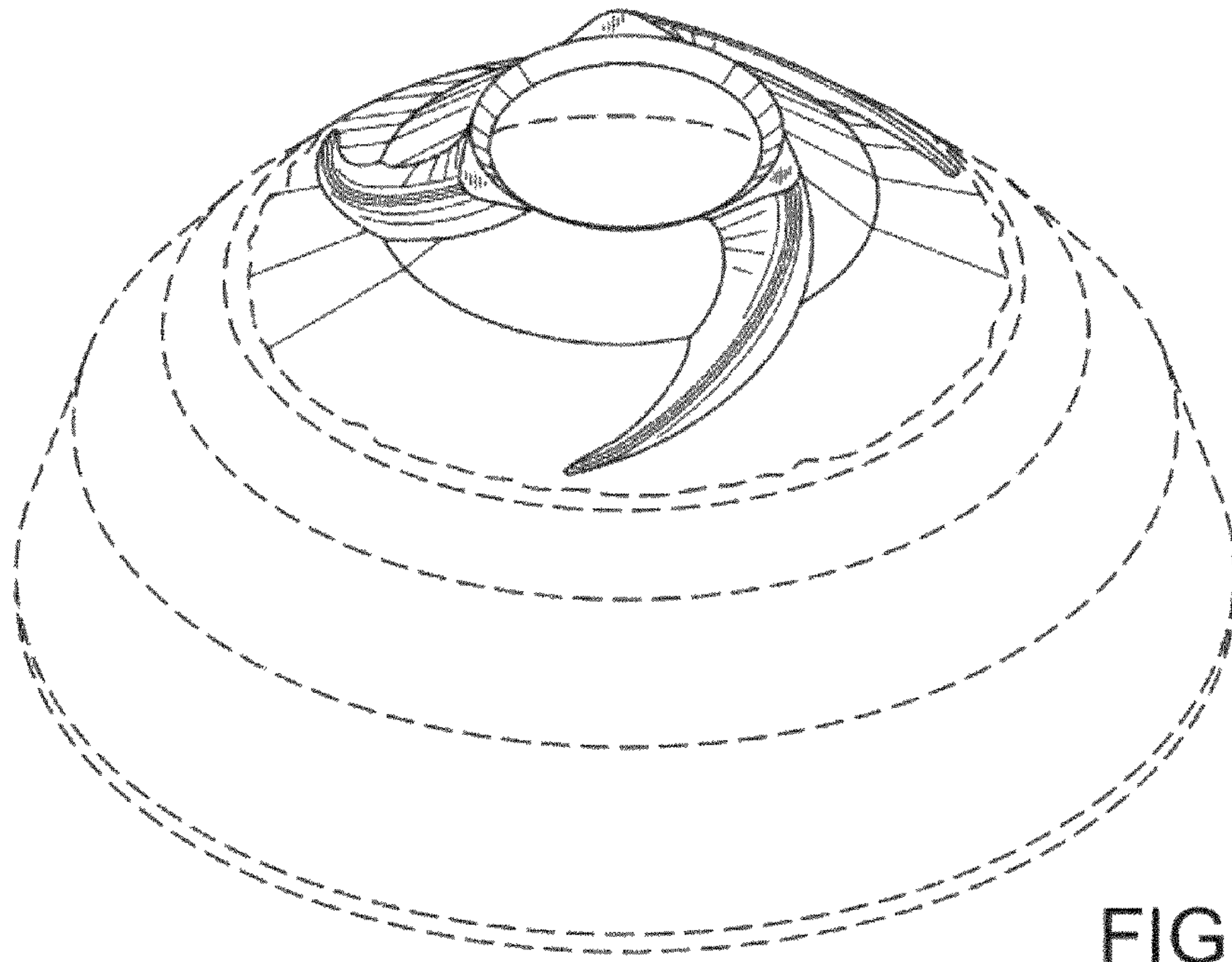


FIG. 1

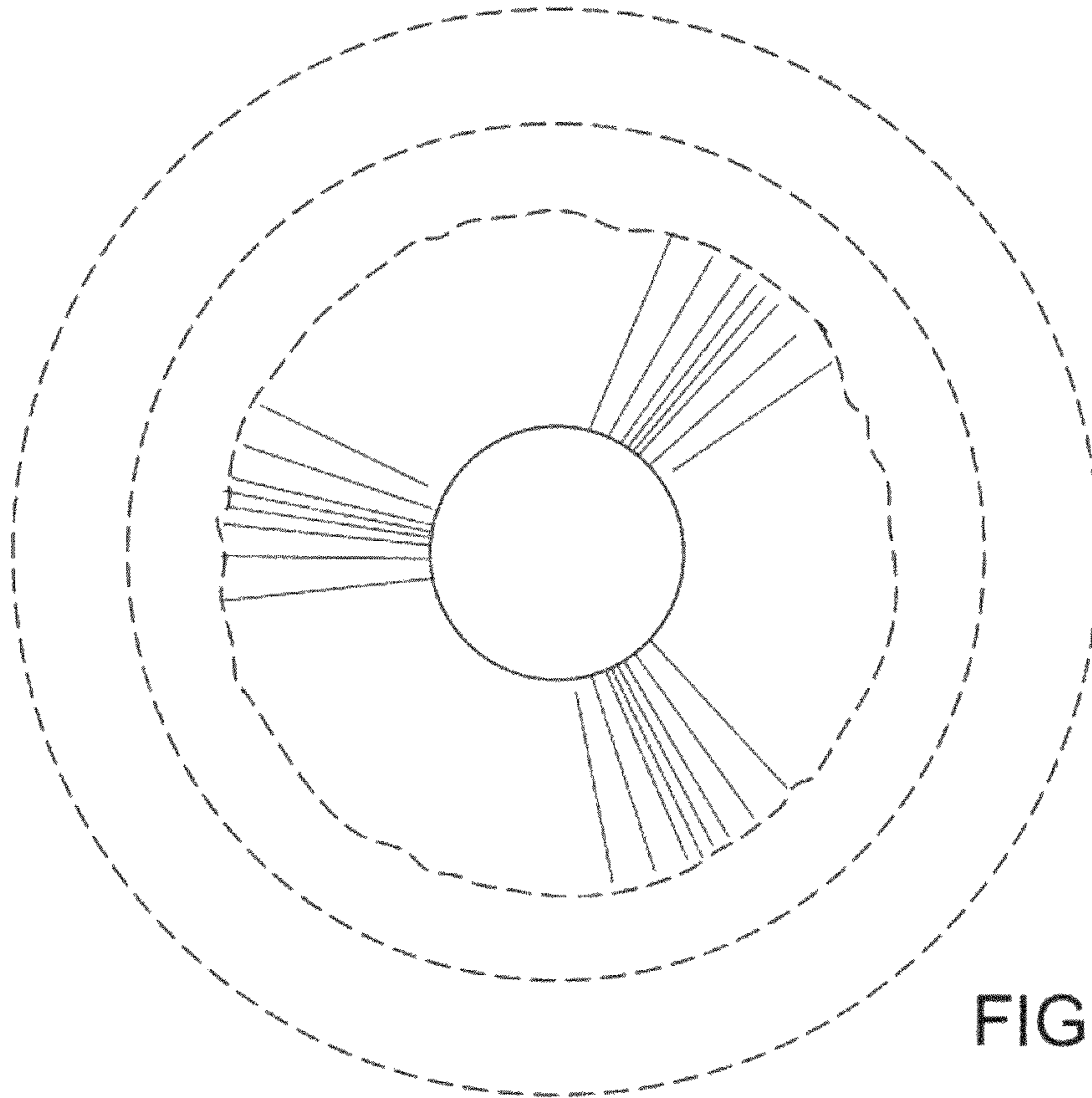


FIG. 2

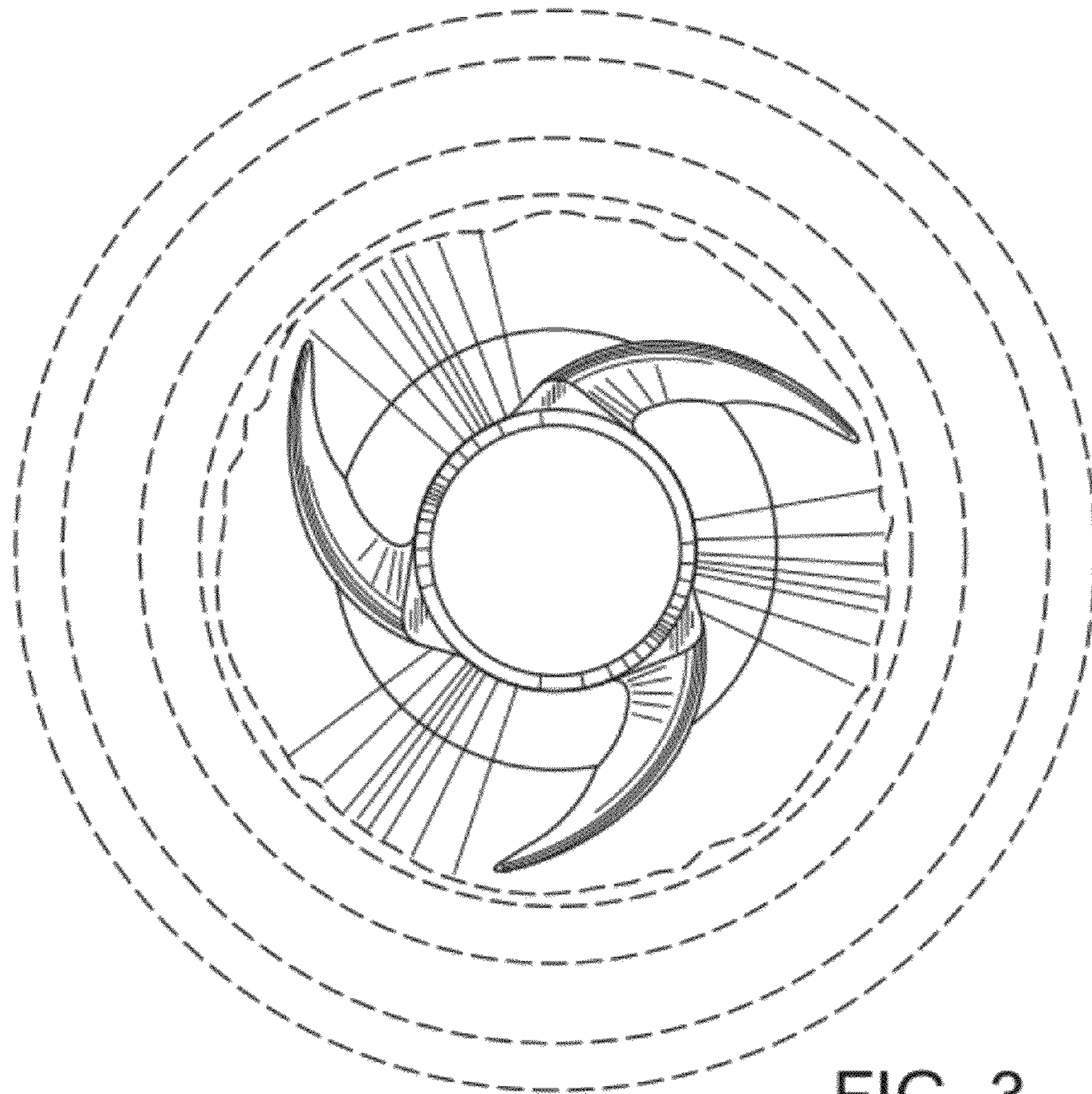


FIG. 3

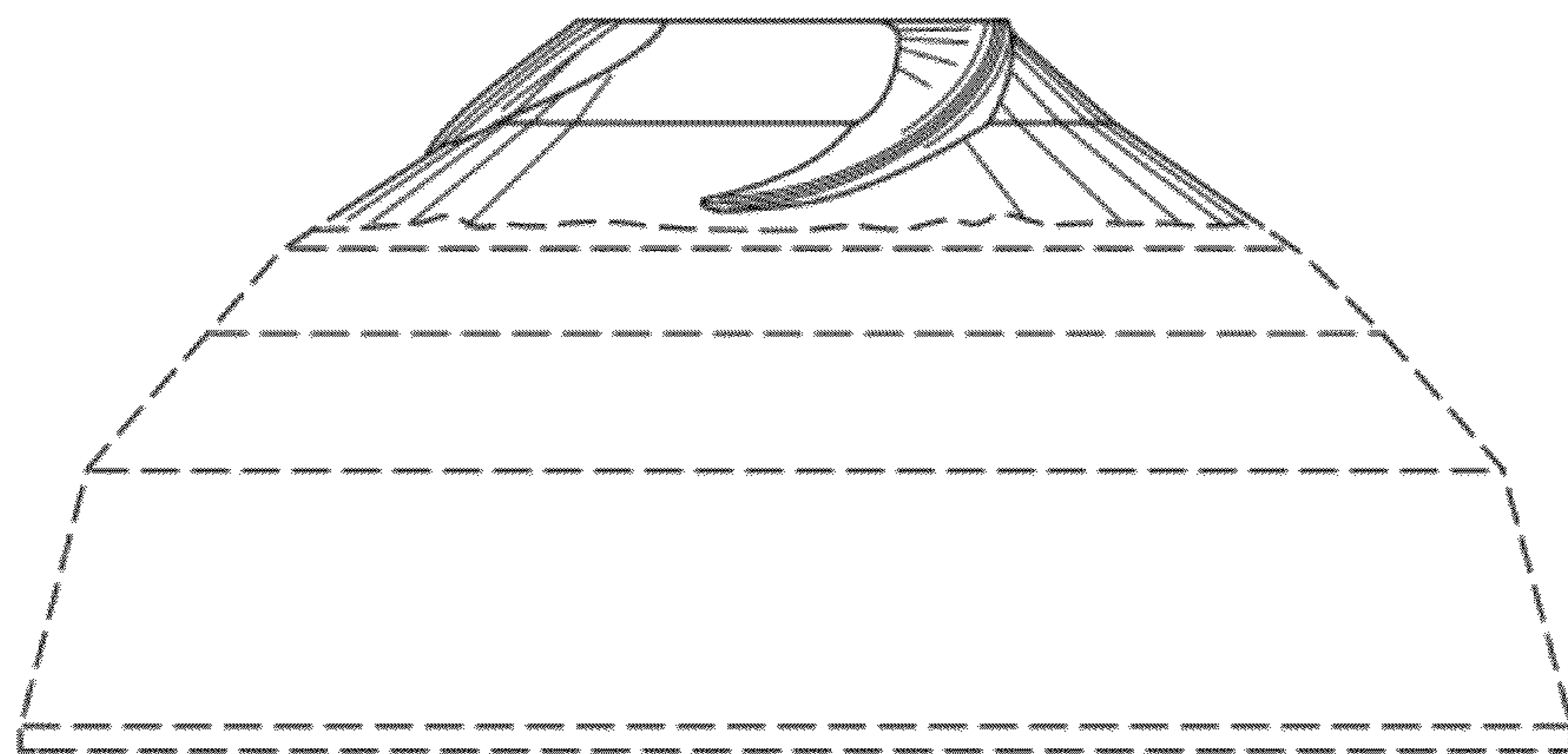


FIG. 4

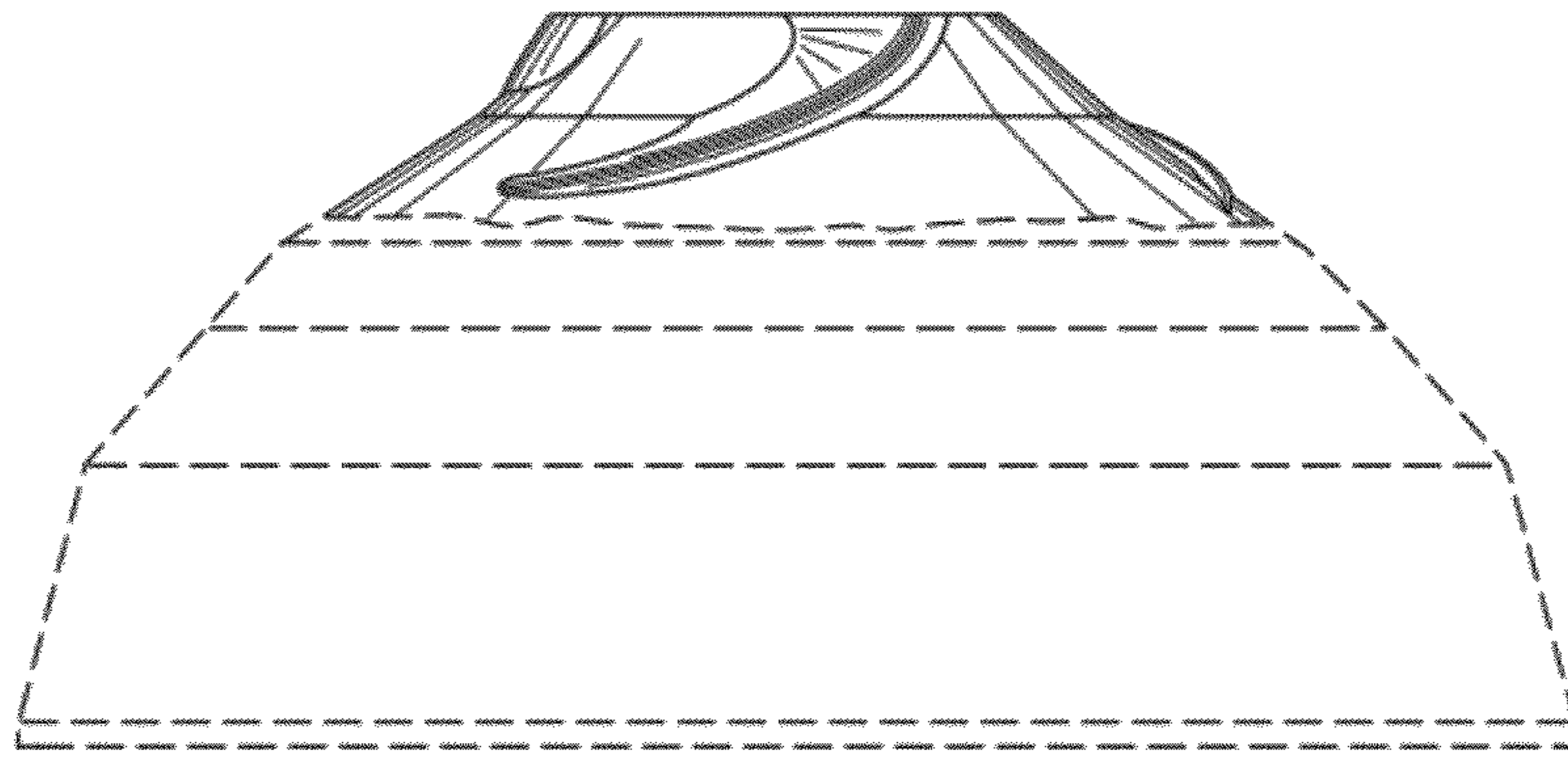


FIG. 5

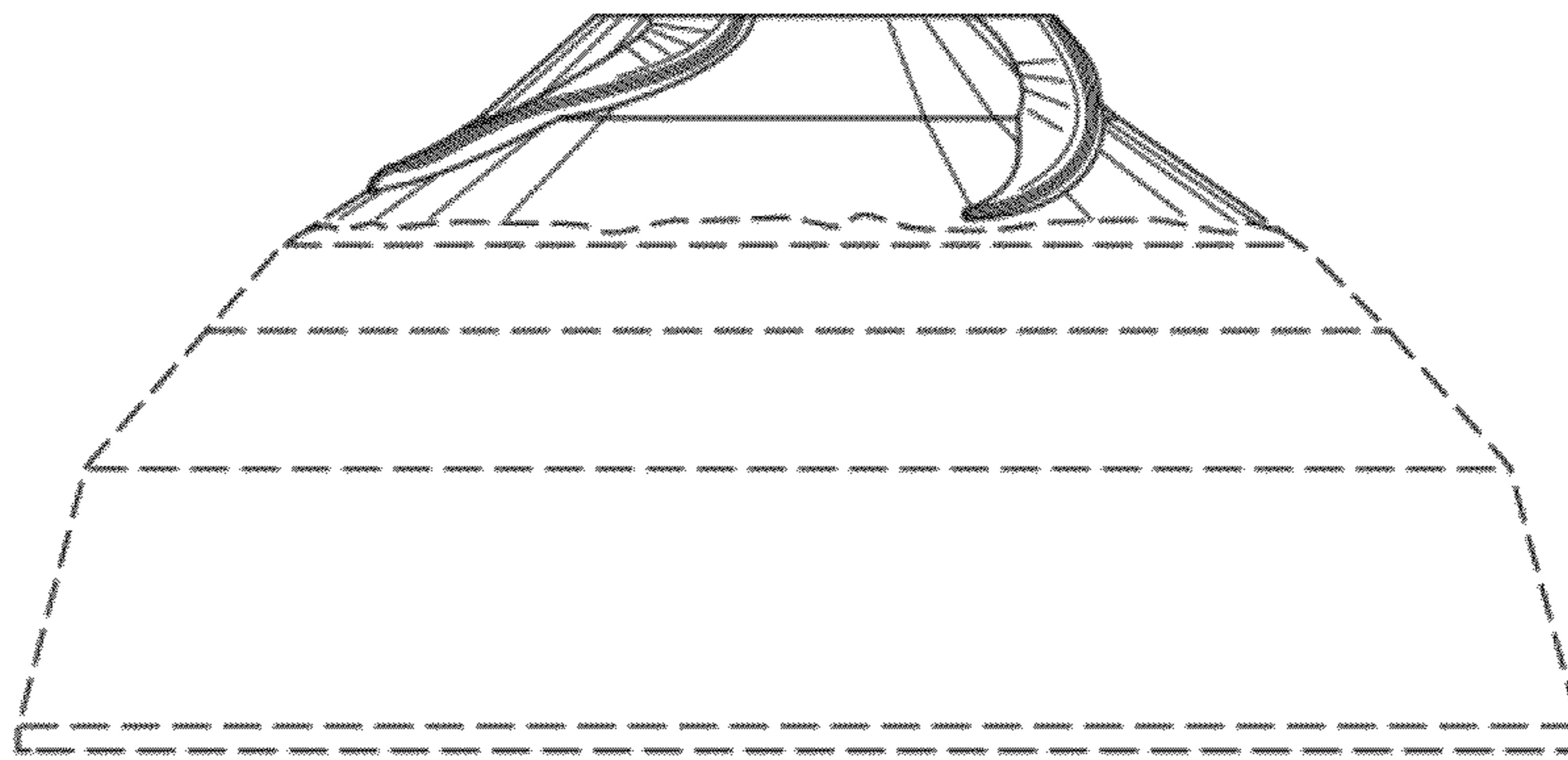


FIG. 6

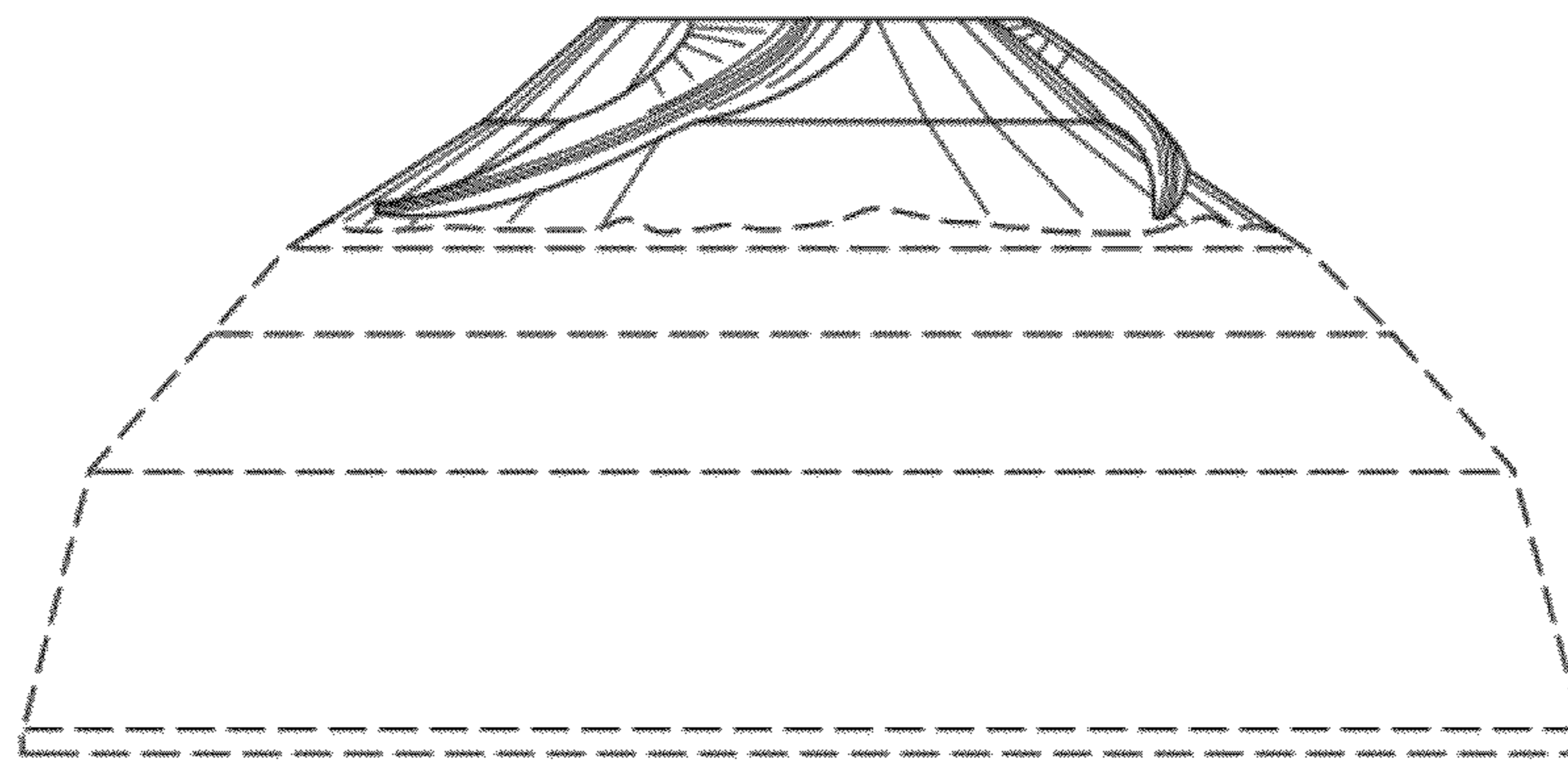


FIG. 7

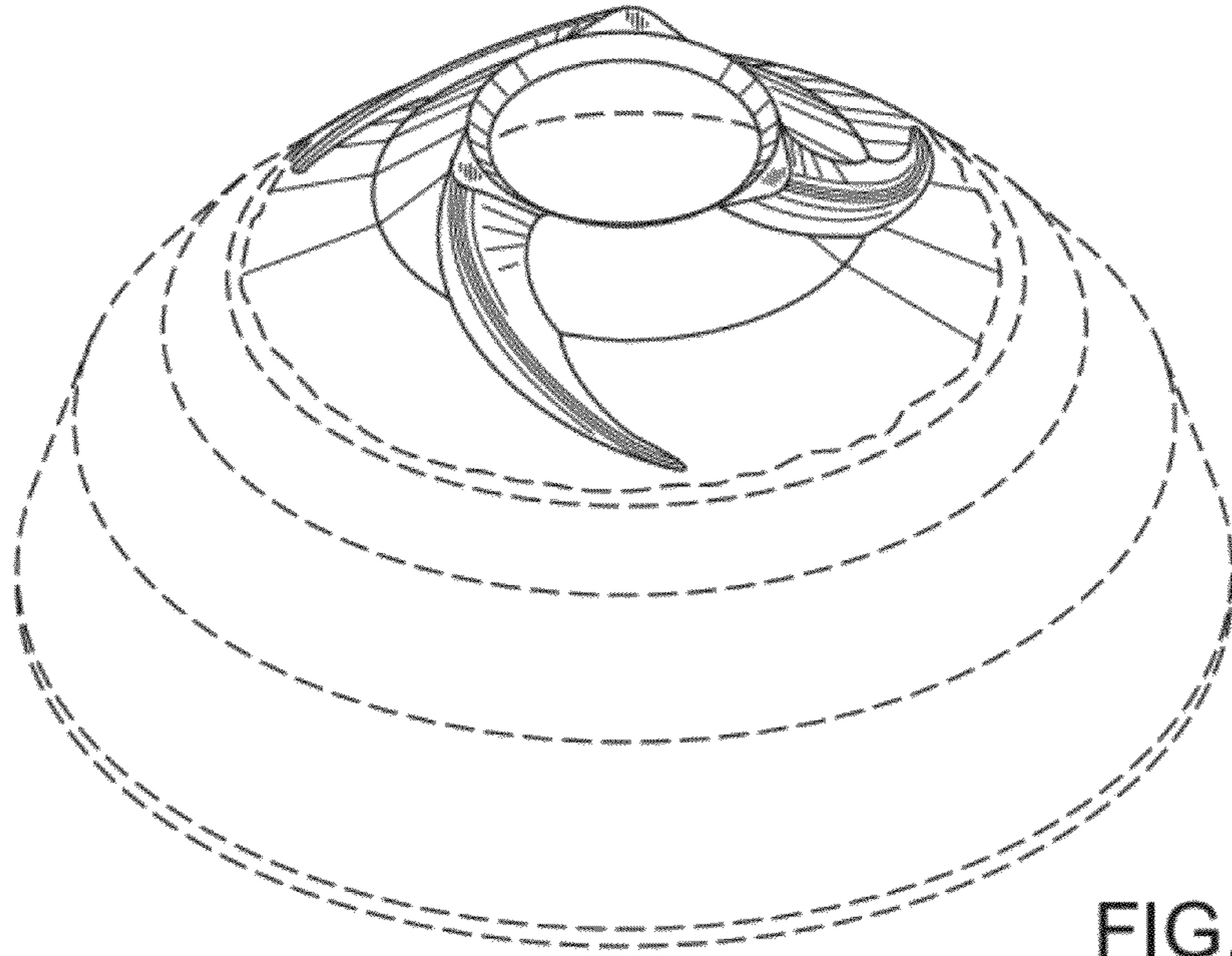


FIG. 8

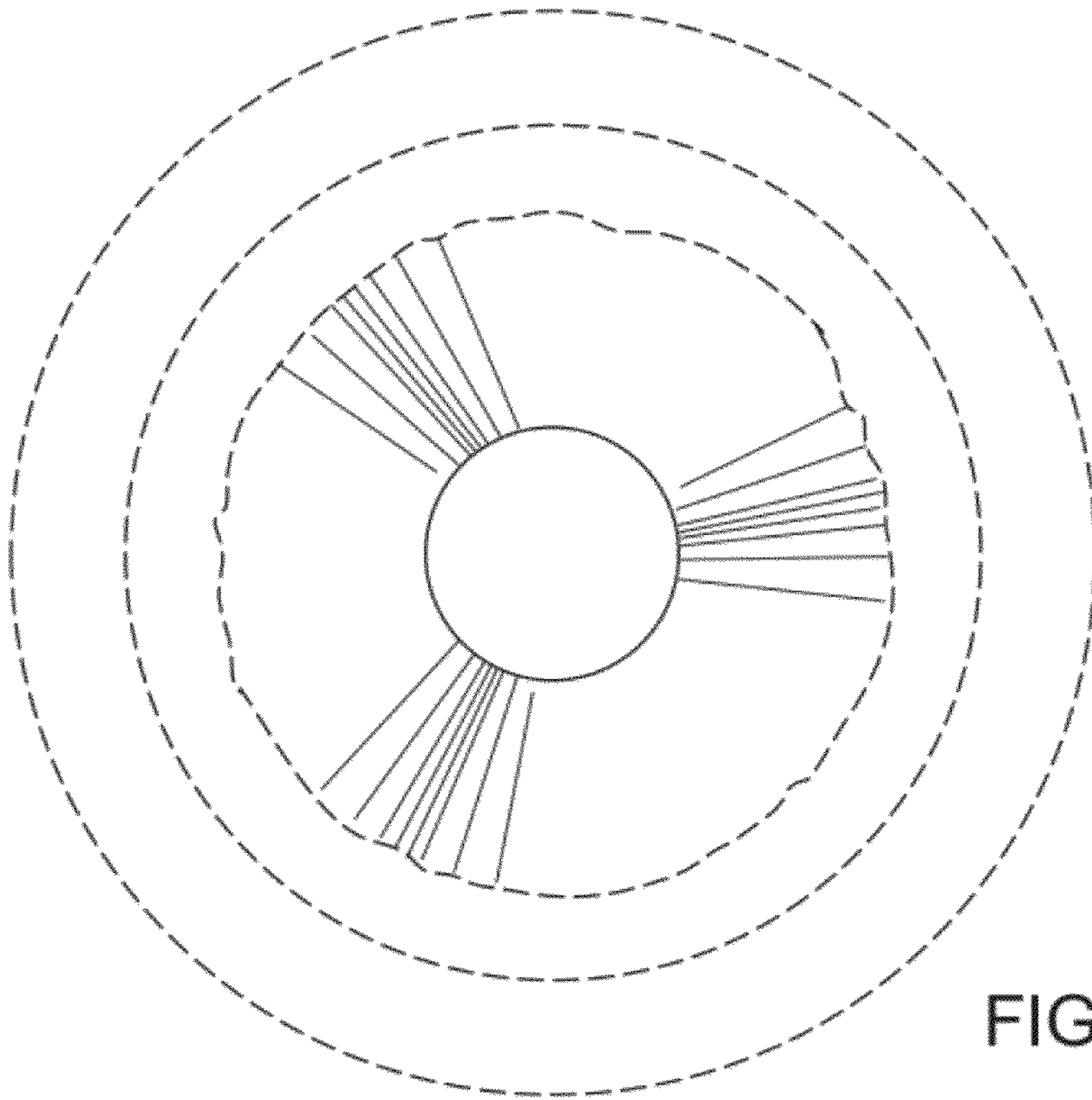


FIG. 9

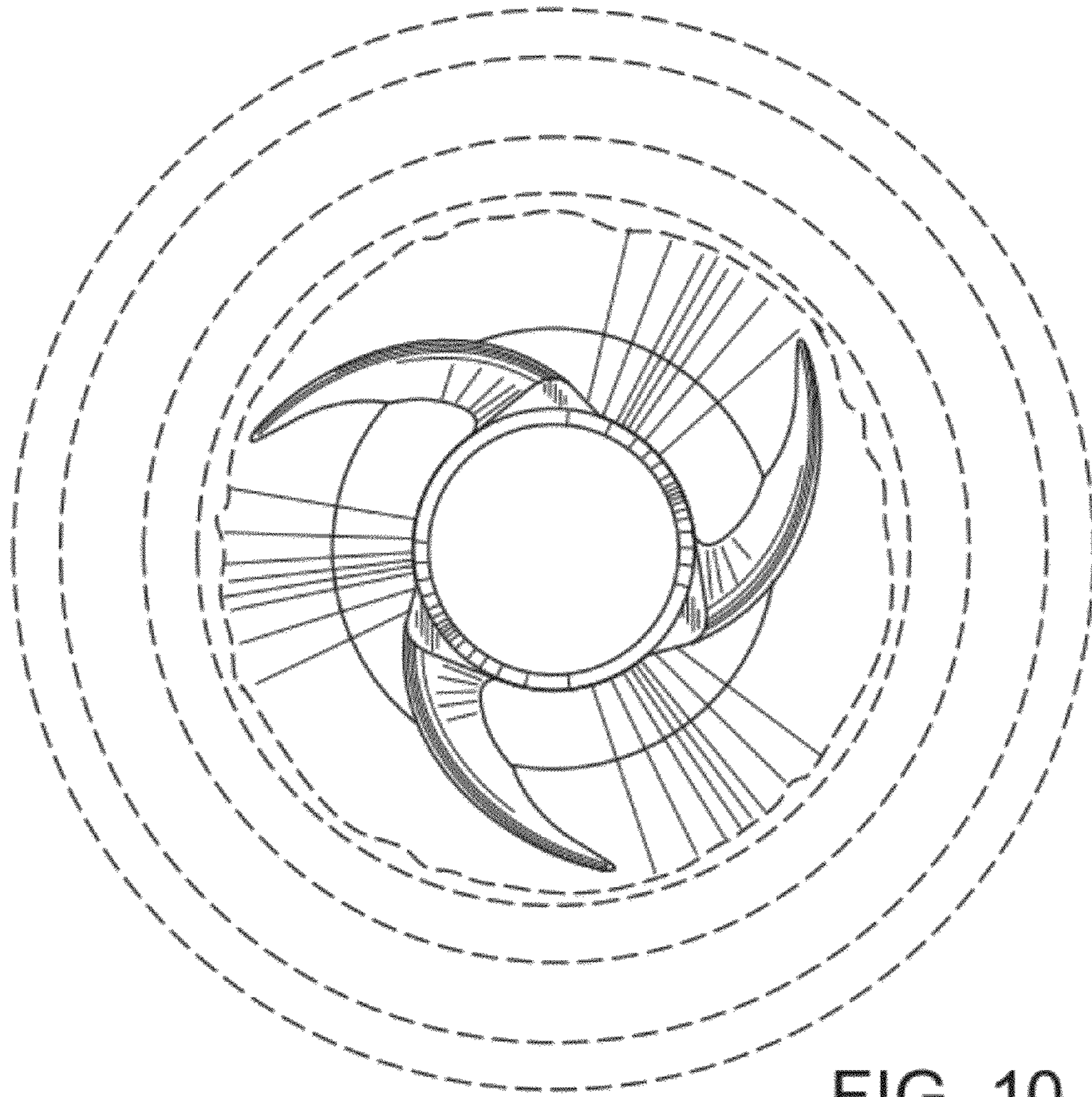


FIG. 10

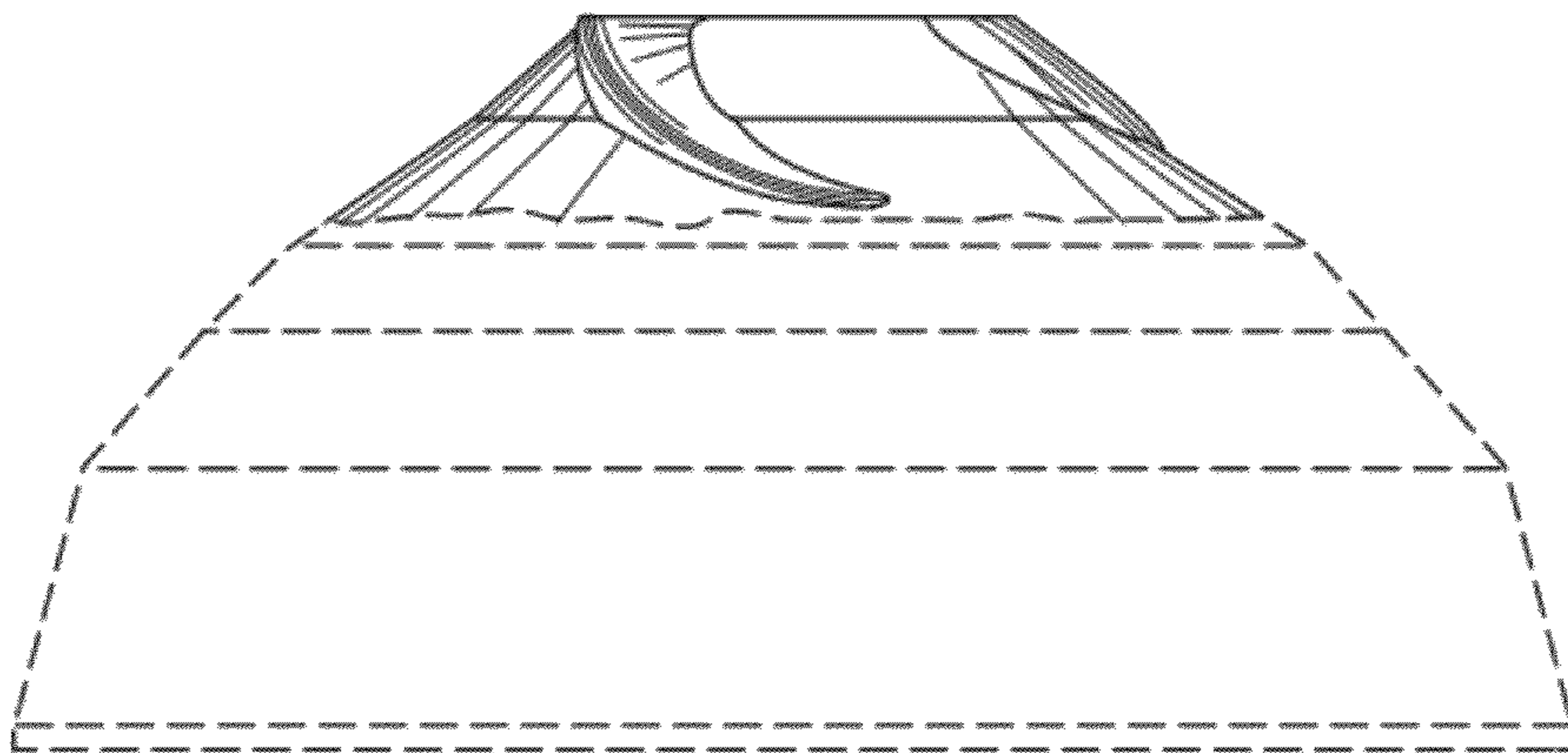


FIG. 11

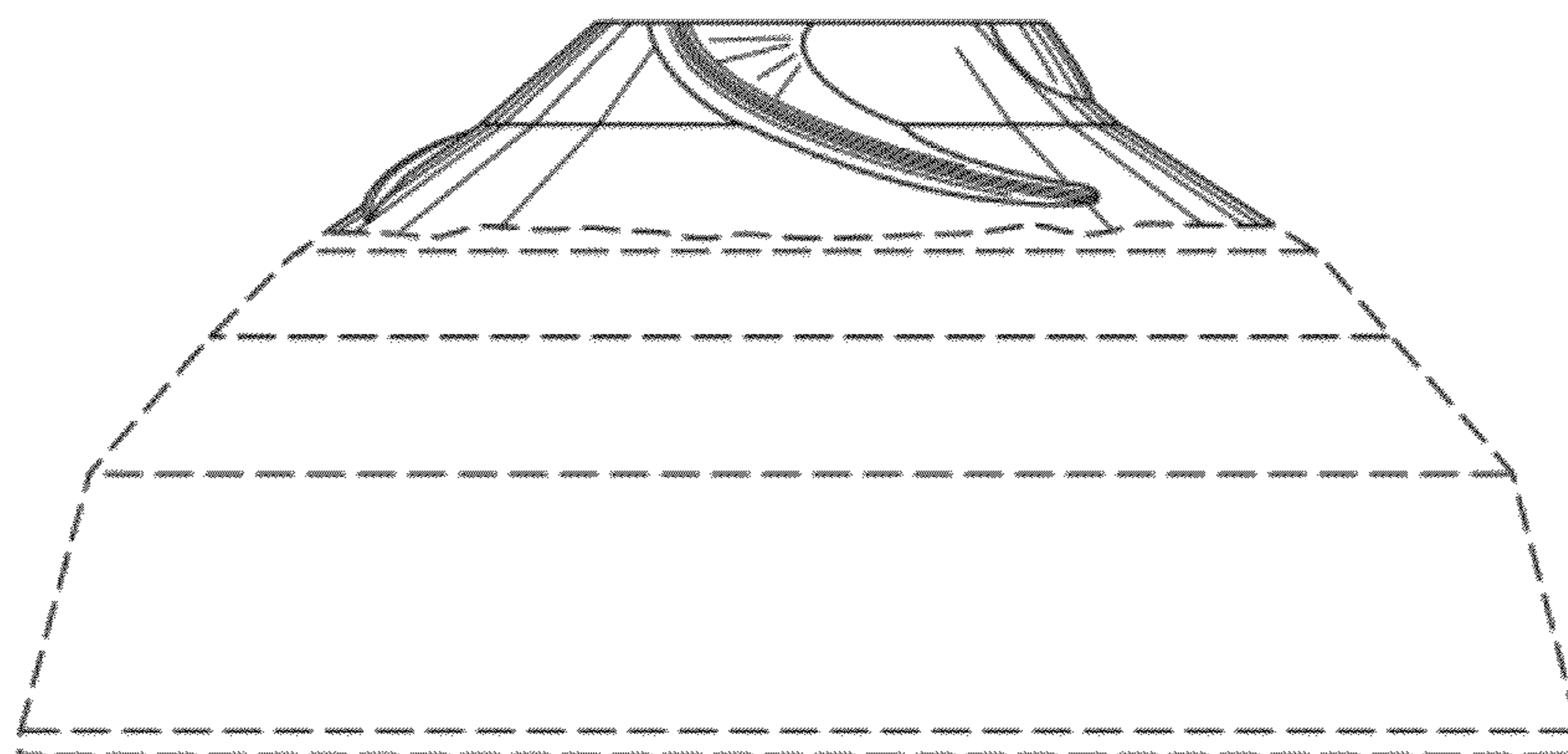


FIG. 12

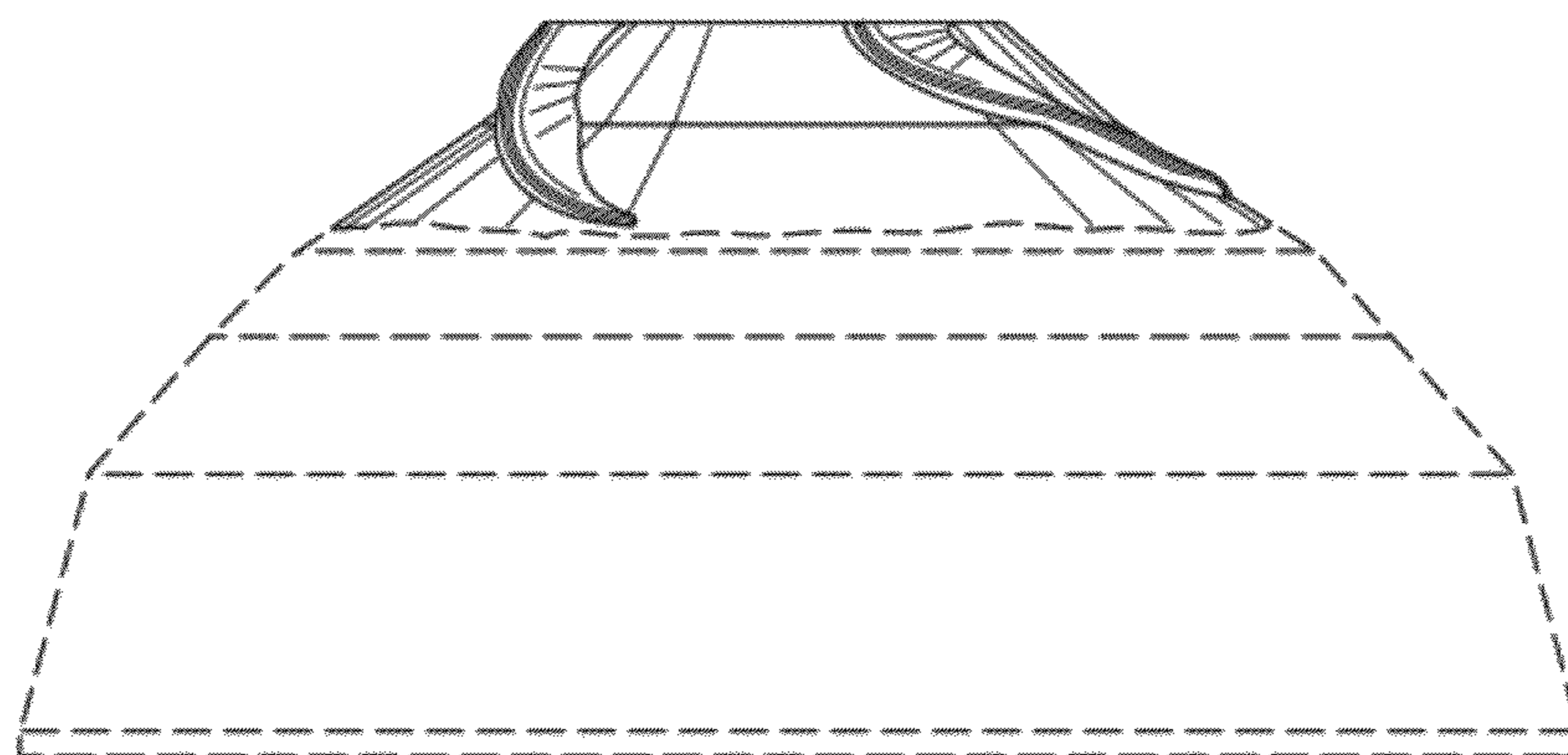


FIG. 13

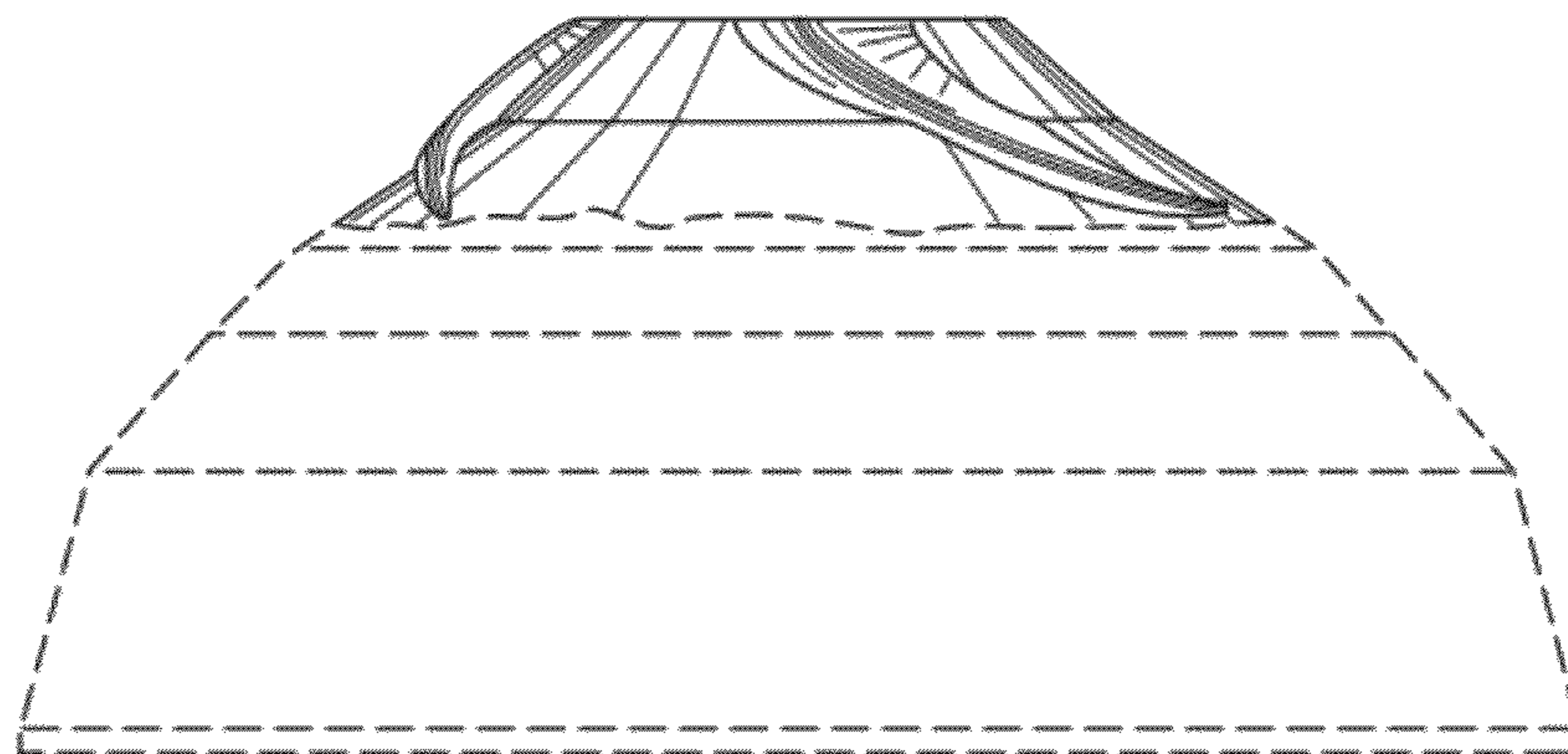


FIG. 14