



US00D673588S

(12) **United States Design Patent**
Choi et al.

(10) **Patent No.:** **US D673,588 S**

(45) **Date of Patent:** **** Jan. 1, 2013**

(54) **COLD AIR DISCHARGE DUCT FOR KIMCHI REFRIGERATORS**

(75) Inventors: **Kyu Kwan Choi**, Seoul (KR); **Sun Il Cho**, Namyangju-si (KR); **Seon Kyu Kim**, Seoul (KR); **Sin Eun Kang**, Seoul (KR); **Jae Young Kim**, Seoul (KR)

(73) Assignee: **LG Electronics Inc.**, Seoul (KR)

(**) Term: **14 Years**

(21) Appl. No.: **29/407,350**

(22) Filed: **Nov. 28, 2011**

(30) **Foreign Application Priority Data**

Jun. 23, 2011 (KR) 30-2011-0025923

(51) **LOC (9) Cl.** **15-07**

(52) **U.S. Cl.** **D15/89**

(58) **Field of Classification Search** D15/79,
D15/81, 83, 89; 62/238.5, 187, 276, 400-408,
62/419, 413, 415, 455, 3.1, 3.6, 3.63, 3.64,
62/440, 441, 457.1, 457.7; 312/236, 116,
312/226, 352, 400-408

See application file for complete search history.

(56) **References Cited**

U.S. PATENT DOCUMENTS

D364,880	S	*	12/1995	Robertson et al.	D15/89
D395,053	S	*	6/1998	Aske et al.	D15/89
D471,923	S	*	3/2003	Park et al.	D15/89
D511,178	S	*	11/2005	Tunzi	D15/89
D514,138	S	*	1/2006	Jackovin et al.	D15/89

* cited by examiner

Primary Examiner — Mitchell Siegel

(74) *Attorney, Agent, or Firm* — Birch, Stewart, Kolasch & Birch, LLP

(57) **CLAIM**

We claim the ornamental design for a cold air discharge duct for kimchi refrigerators, as shown and described.

DESCRIPTION

FIG. 1 is a perspective view of a cold air discharge duct for kimchi refrigerators showing our new design; FIG. 2 is a front elevation view thereof; FIG. 3 is a rear elevation view thereof; FIG. 4 is a left-side elevation view thereof; FIG. 5 is a right-side elevation view thereof; FIG. 6 is a top plan view thereof; FIG. 7 is a bottom plan view thereof; and, FIG. 8 is a reduced perspective view thereof, the broken line showing of the kimchi refrigerator is for illustrative purposes only and forms no part of the claimed design.

1 Claim, 6 Drawing Sheets

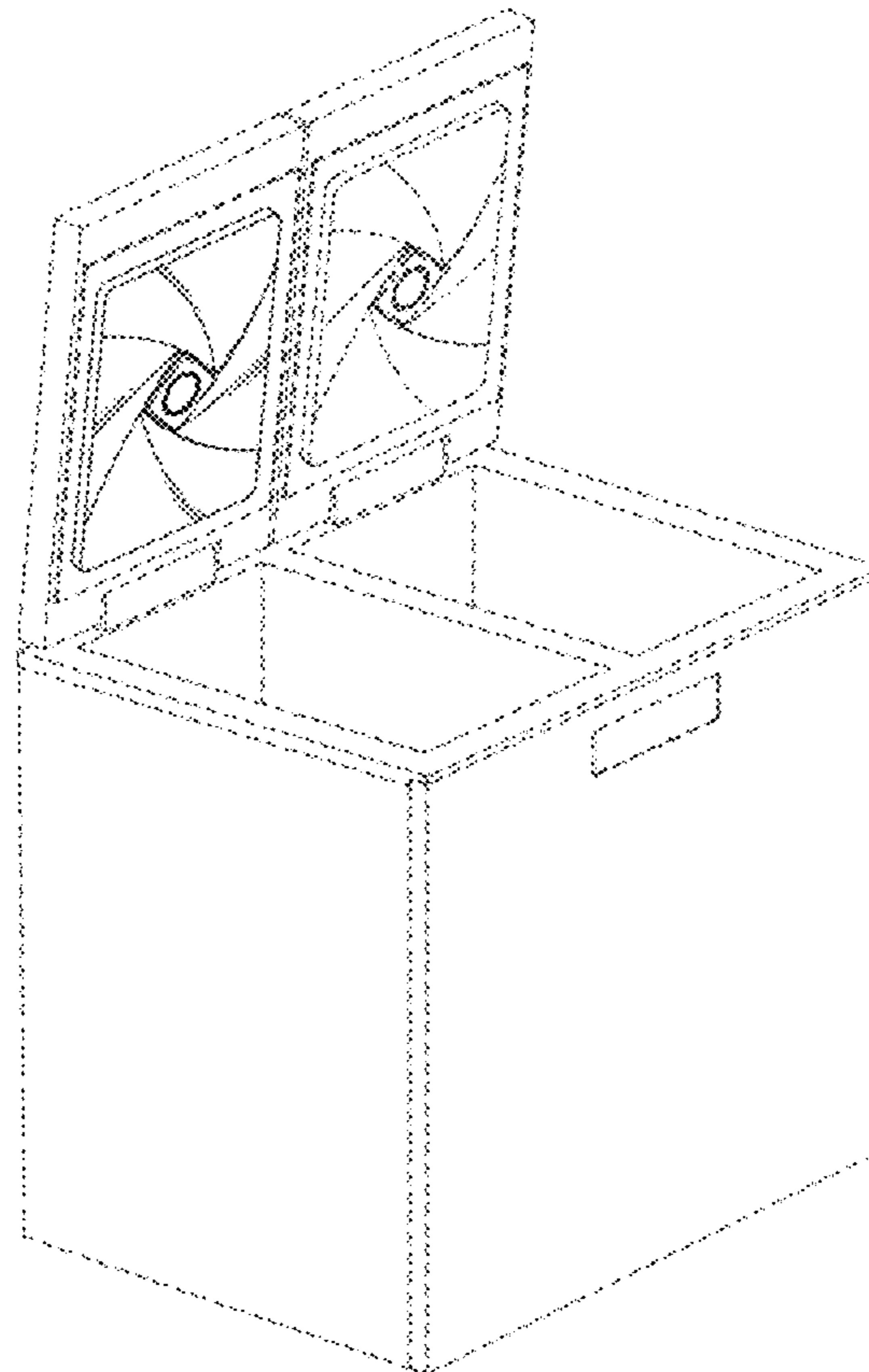
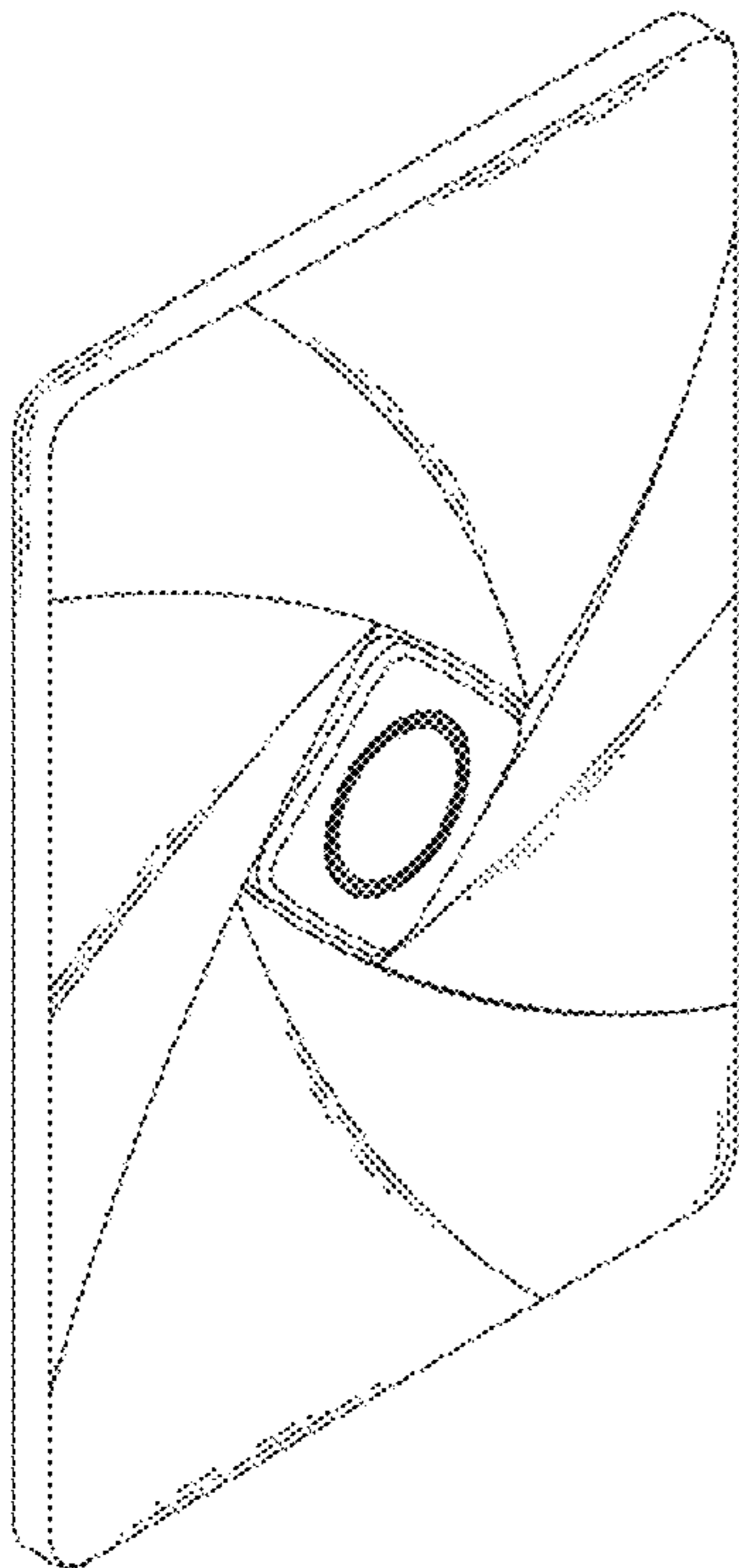


FIG. 1

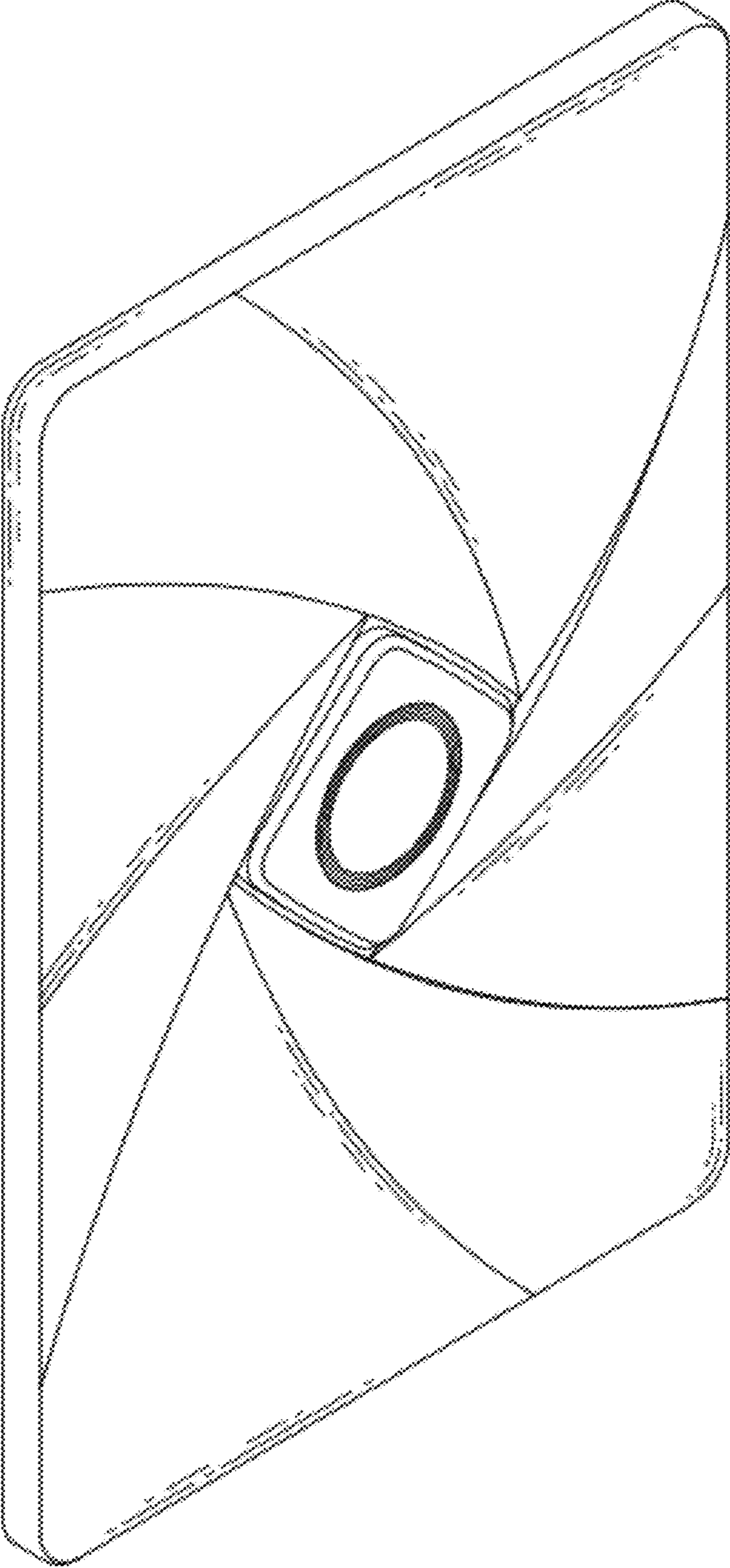


FIG. 2

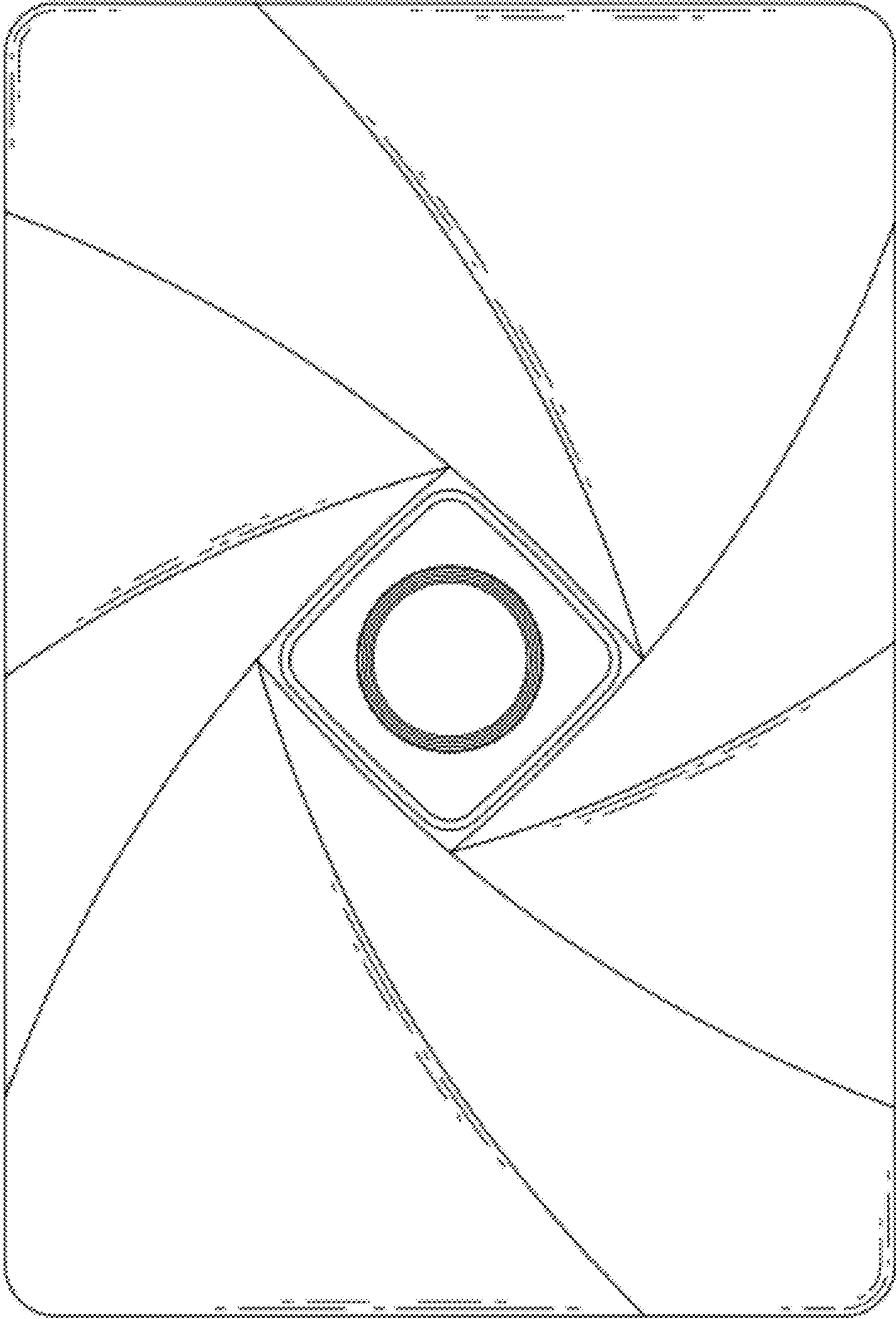


FIG. 3

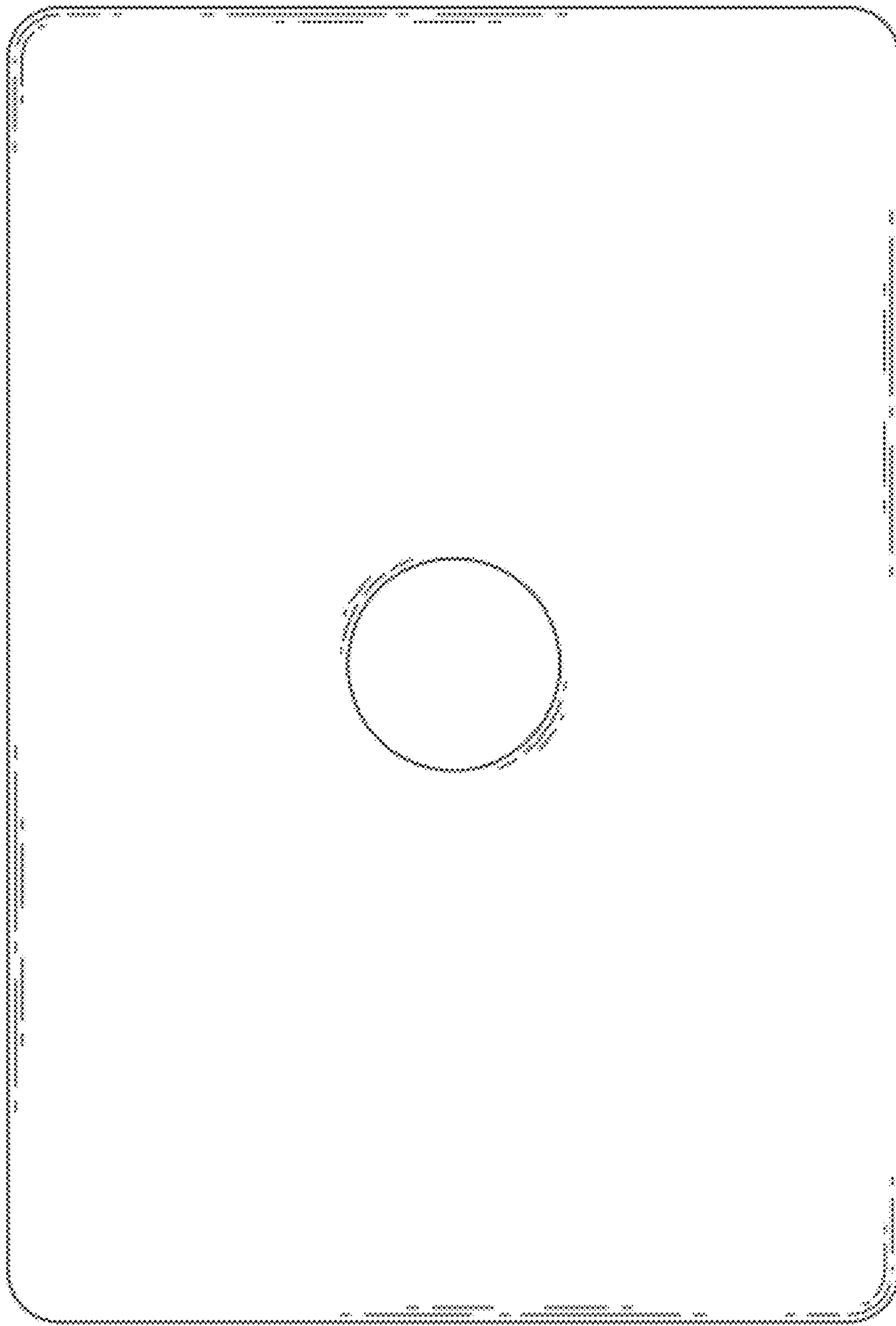


FIG. 4



FIG. 5

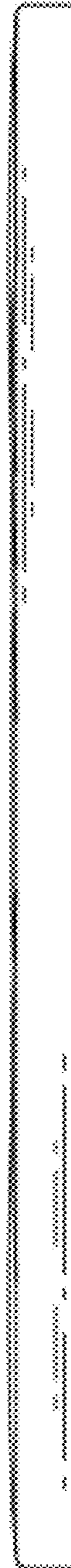


FIG. 6



FIG. 7



FIG. 8

