



US00D673587S

(12) **United States Design Patent**
Truan et al.

(10) **Patent No.:** **US D673,587 S**
(45) **Date of Patent:** **** Jan. 1, 2013**

(54) **LIQUID STORAGE TANK FOR SPRAYER AND SPREADER ASSEMBLY**

(75) Inventors: **Charles Truan**, Bloomfield Hills, MI (US); **Everett Hughes**, Troy, MI (US); **Greg Neilson**, Troy, MI (US)

(73) Assignee: **Trynex International**, Madison Heights, MI (US)

(**) Term: **14 Years**

(21) Appl. No.: **29/420,986**

(22) Filed: **May 15, 2012**

(51) **LOC (9) Cl.** **15-03**

(52) **U.S. Cl.** **D15/28**

(58) **Field of Classification Search** D15/10, D15/14, 15, 22-26, 33, 13, 17, 21, 28; 180/59.2, 180/89.1, 89.12, 900, 273; 56/12.7, 15.8, 56/16.7, 13.3, 10.1, 202, 320.1, 320.2, 15.9, 56/255, 294, 16.8, DIG. 5; 222/185.1; 239/687, 239/683

See application file for complete search history.

(56) **References Cited**

U.S. PATENT DOCUMENTS

3,472,429	A	10/1969	Flentie et al.	
3,490,790	A	1/1970	Kees	
4,798,325	A	1/1989	Block	
4,955,538	A	9/1990	Laube et al.	
5,004,251	A	4/1991	Velke et al.	
5,333,795	A	8/1994	Jessen	
5,413,364	A	5/1995	Hafendorfer	
D364,173	S *	11/1995	Woods	D15/13
5,810,371	A	9/1998	Velke	
5,860,604	A	1/1999	Kooiker	
D407,419	S *	3/1999	Burch	D15/28
5,960,604	A	10/1999	Blanton	
6,000,705	A	12/1999	Velke	

D433,425	S *	11/2000	Surridge et al.	D15/17
6,336,600	B1	1/2002	Jessen	
6,488,291	B1	12/2002	Bellis, Jr.	
6,637,760	B1	10/2003	Carman	
6,692,010	B1	2/2004	Johnson et al.	
6,742,600	B2	6/2004	Hoelscher	
D495,878	S *	9/2004	Greene	D3/274
D500,055	S *	12/2004	Bieker	D15/28
6,945,481	B2	9/2005	Thompson et al.	
7,032,694	B2	4/2006	Jessen	
7,520,411	B2 *	4/2009	Bieker	222/609
7,743,840	B2	6/2010	Hoffman	
2003/0042261	A1	3/2003	Cantor	
2004/0084552	A1	5/2004	Huartson	
2007/0084946	A1	4/2007	Neville	
2010/0003872	A1	1/2010	Jessen	

FOREIGN PATENT DOCUMENTS

JP	4635378	12/2002
JP	200547334	2/2005

* cited by examiner

Primary Examiner — Mark Goodwin

(74) *Attorney, Agent, or Firm* — Dickinson Wright PLLC

(57) **CLAIM**

The ornamental design for a liquid storage tank for sprayer and spreader assembly, as shown and described.

DESCRIPTION

FIG. 1 is a top front perspective view of the liquid storage tank for sprayer and spreader assembly showing our new design; FIG. 2 is a top rear perspective view thereof; FIG. 3 is a bottom plan view thereof; FIG. 4 is a front view thereof; FIG. 5 is a top plan view thereof; FIG. 6 is a rear view thereof; FIG. 7 is a side view thereof; and, FIG. 8 is an opposite side view thereof.

1 Claim, 4 Drawing Sheets

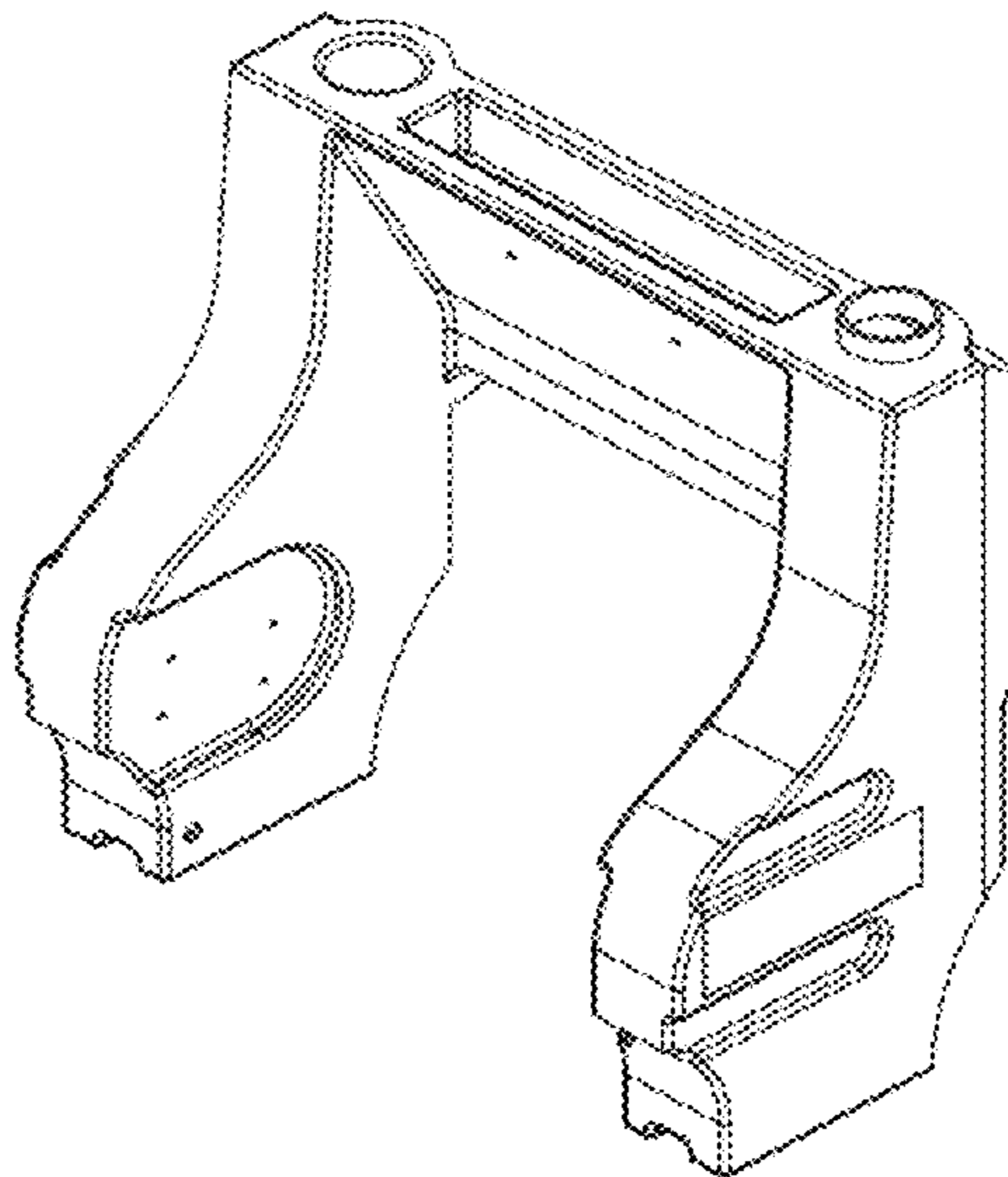


Fig-1

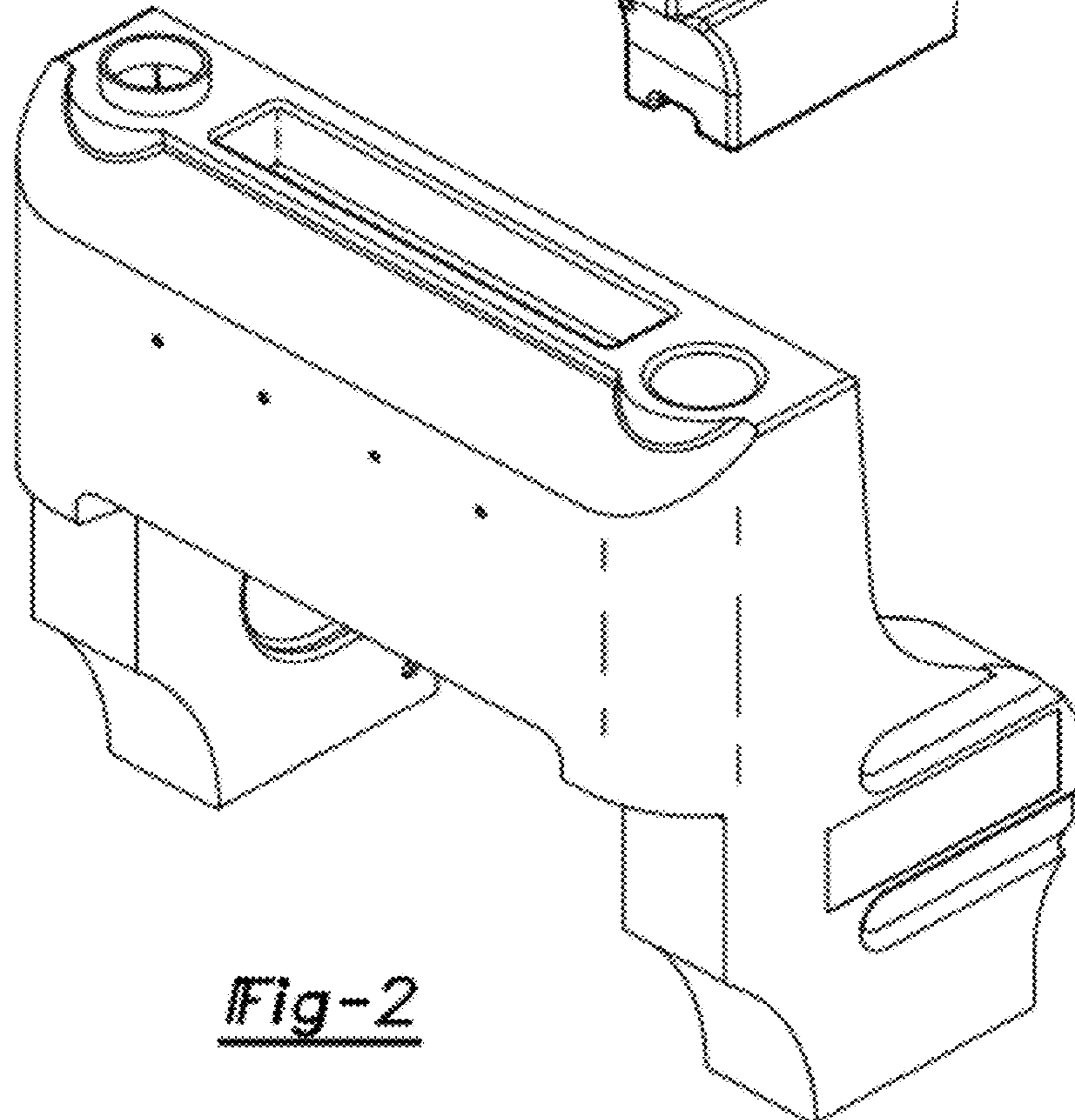
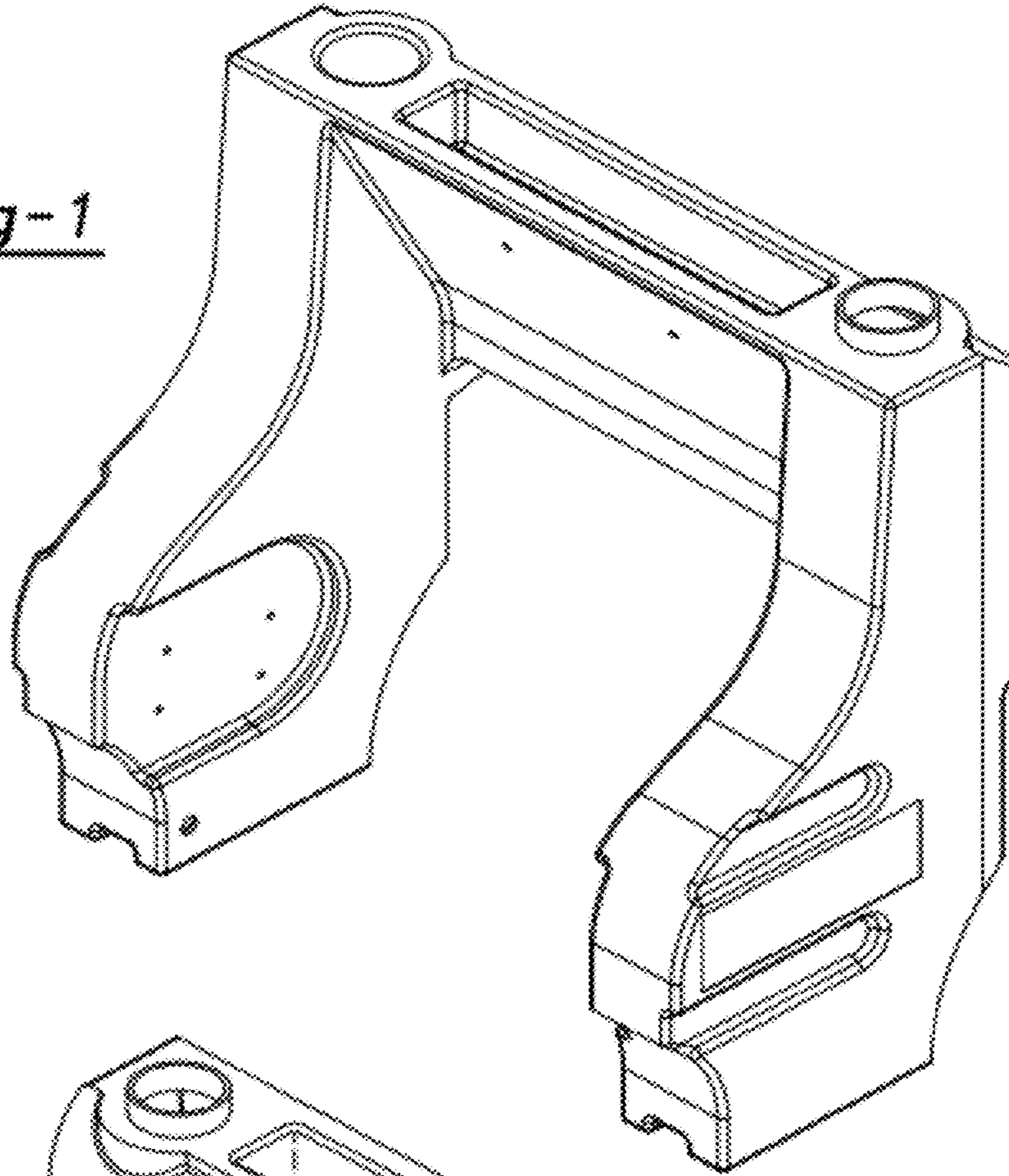


Fig-2

Fig-3

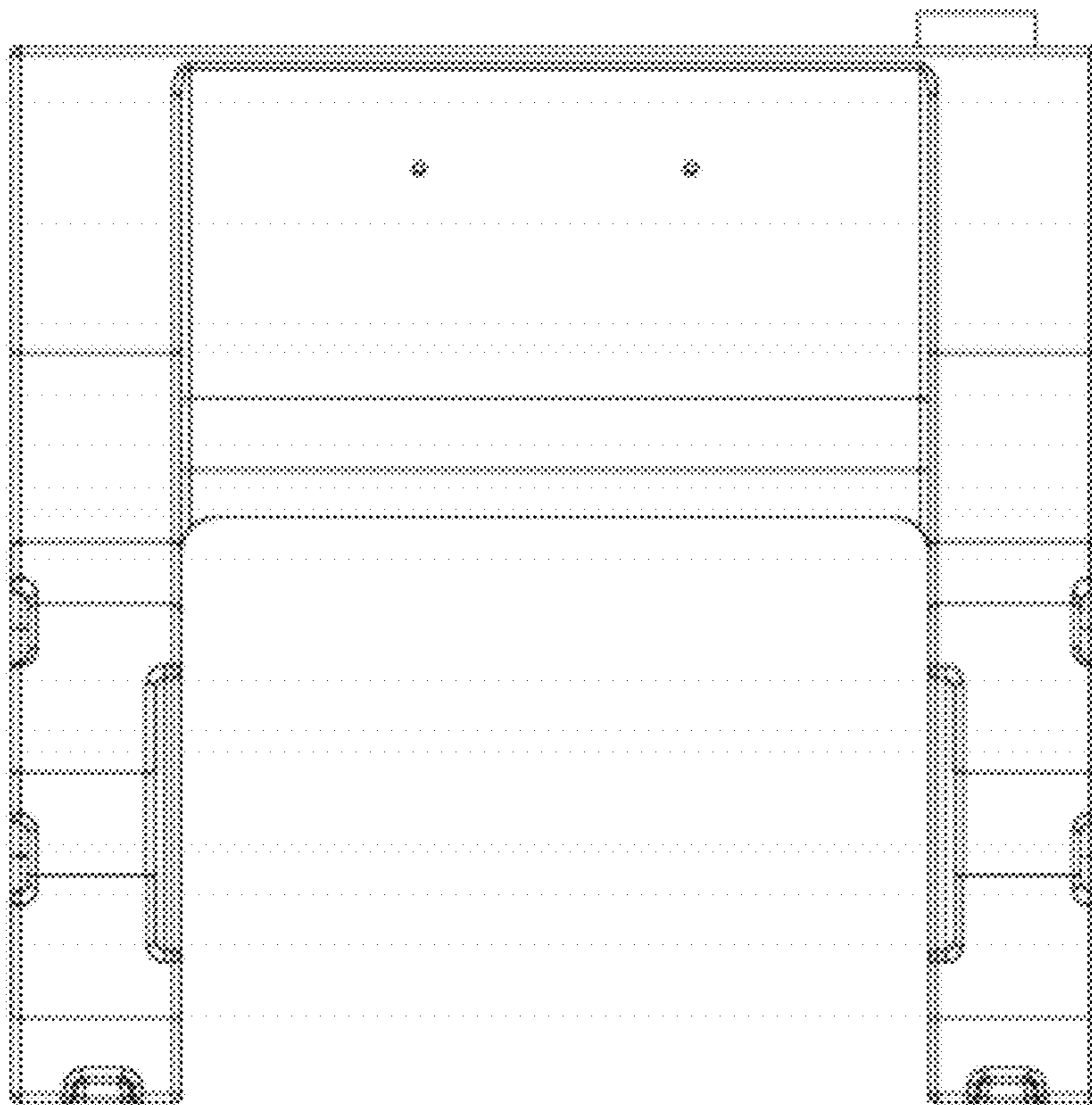
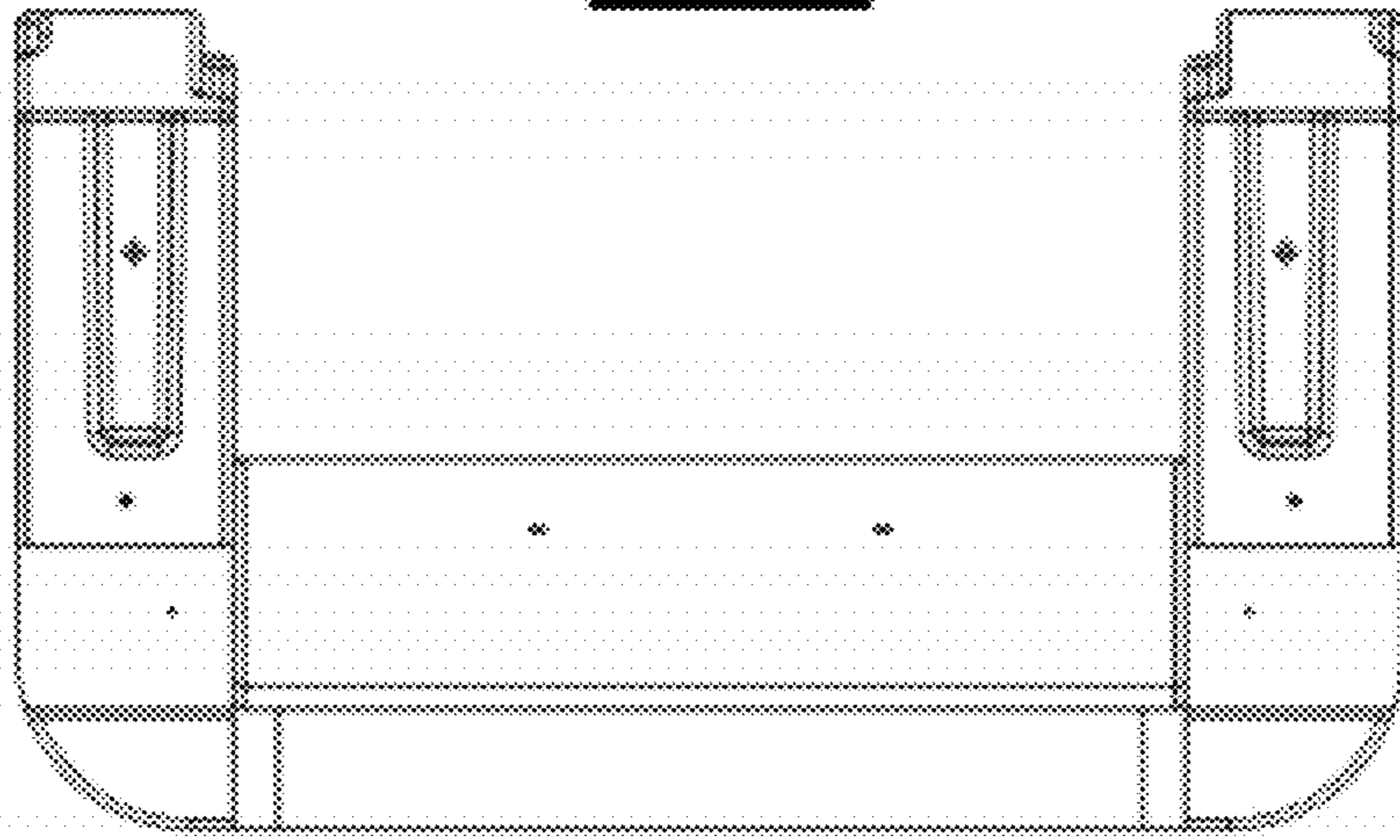


Fig-4

