



US00D673586S

(12) **United States Design Patent**
Truan et al.

(10) **Patent No.:** **US D673,586 S**
(45) **Date of Patent:** **** Jan. 1, 2013**

(54) **COMBINED SPRAYER AND SPREADER WITH SULKY**

(75) Inventors: **Charles Truan**, Bloomfield Hills, MI (US); **Everett Hughes**, Troy, MI (US); **Greg Neilson**, Troy, MI (US)

(73) Assignee: **Trynex International**, Madison Heights, MI (US)

(**) Term: **14 Years**

(21) Appl. No.: **29/420,968**

(22) Filed: **May 15, 2012**

(51) **LOC (9) Cl.** **15-03**

(52) **U.S. Cl.** **D15/13**

(58) **Field of Classification Search** D15/10, D15/13, 15, 21-26; 180/89.1, 11; 239/172, 239/159, 304, 663, 155, 170, 328, 562, 650, 239/662, 67, 681, 47, 684, 670, 672, 683, 239/685

See application file for complete search history.

(56) **References Cited**

U.S. PATENT DOCUMENTS

3,472,429	A	10/1969	Flentie et al.	
3,485,314	A *	12/1969	Herr	180/19.1
3,490,790	A	1/1970	Kees	
4,234,131	A *	11/1980	Baker	239/685
4,352,463	A *	10/1982	Baker	239/663
4,511,090	A *	4/1985	Morgan	239/666
4,798,325	A	1/1989	Block	
4,955,538	A	9/1990	Laube et al.	
5,004,251	A	4/1991	Velke et al.	
5,333,795	A	8/1994	Jessen	
5,413,364	A	5/1995	Hafendorfer	
5,533,676	A *	7/1996	Conley	239/663
5,810,371	A	9/1998	Velke	
5,860,604	A	1/1999	Kooiker	
5,960,604	A	10/1999	Blanton	

6,000,705	A	12/1999	Velke	
6,142,397	A *	11/2000	Clay	239/684
6,336,600	B1	1/2002	Jessen	
6,488,291	B1	12/2002	Bellis, Jr.	
6,637,760	B1	10/2003	Carman	
6,692,010	B1	2/2004	Johnson et al.	
6,742,600	B2	6/2004	Hoelscher	
6,889,784	B2 *	5/2005	Troll	180/13
6,945,481	B2	9/2005	Thompson et al.	
7,032,694	B2	4/2006	Jessen	
7,743,840	B2	6/2010	Hoffman	
7,942,224	B2 *	5/2011	Marshall et al.	180/89.13
8,056,828	B1 *	11/2011	Kline et al.	239/147
D662,522	S *	6/2012	Simpson	D15/26
2003/0042261	A1	3/2003	Cantor	
2004/0084552	A1	5/2004	Huartson	
2007/0084946	A1	4/2007	Neville	
2010/0003872	A1	1/2010	Jessen	

FOREIGN PATENT DOCUMENTS

JP	4635378	12/2002
JP	200547334	2/2005

* cited by examiner

Primary Examiner — Mark Goodwin

(74) *Attorney, Agent, or Firm* — Dickinson Wright PLLC

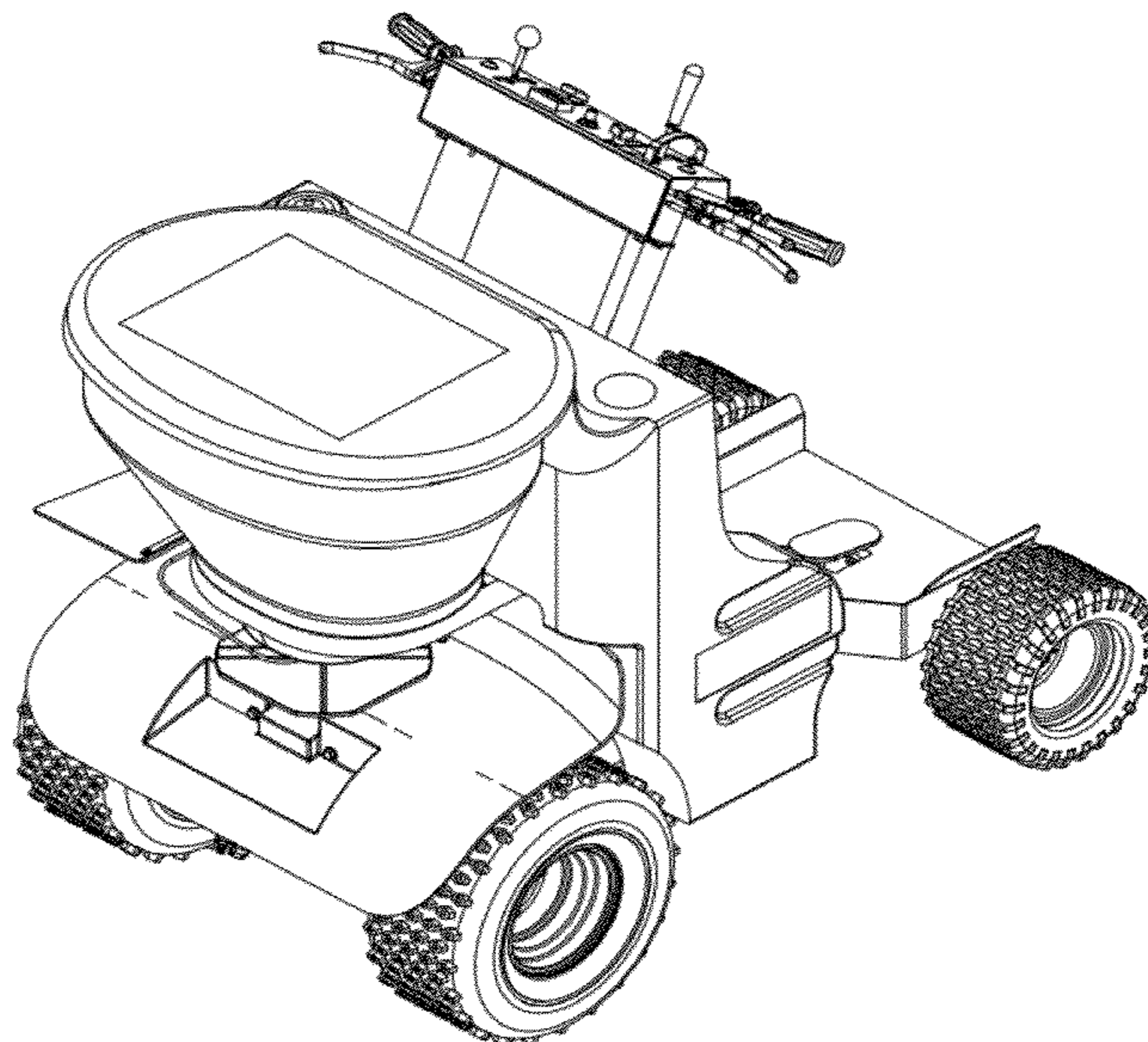
(57) **CLAIM**

The ornamental design for a combined sprayer and spreader with sulky, as shown and described.

DESCRIPTION

FIG. 1 is a top front perspective view of the combined sprayer and spreader with sulky showing our new design; FIG. 2 is a top rear perspective view thereof; FIG. 3 is a top view thereof; FIG. 4 is a front view thereof; FIG. 5 is a rear view thereof; FIG. 6 is a side view thereof; and, FIG. 7 is an opposite side view thereof.

1 Claim, 7 Drawing Sheets



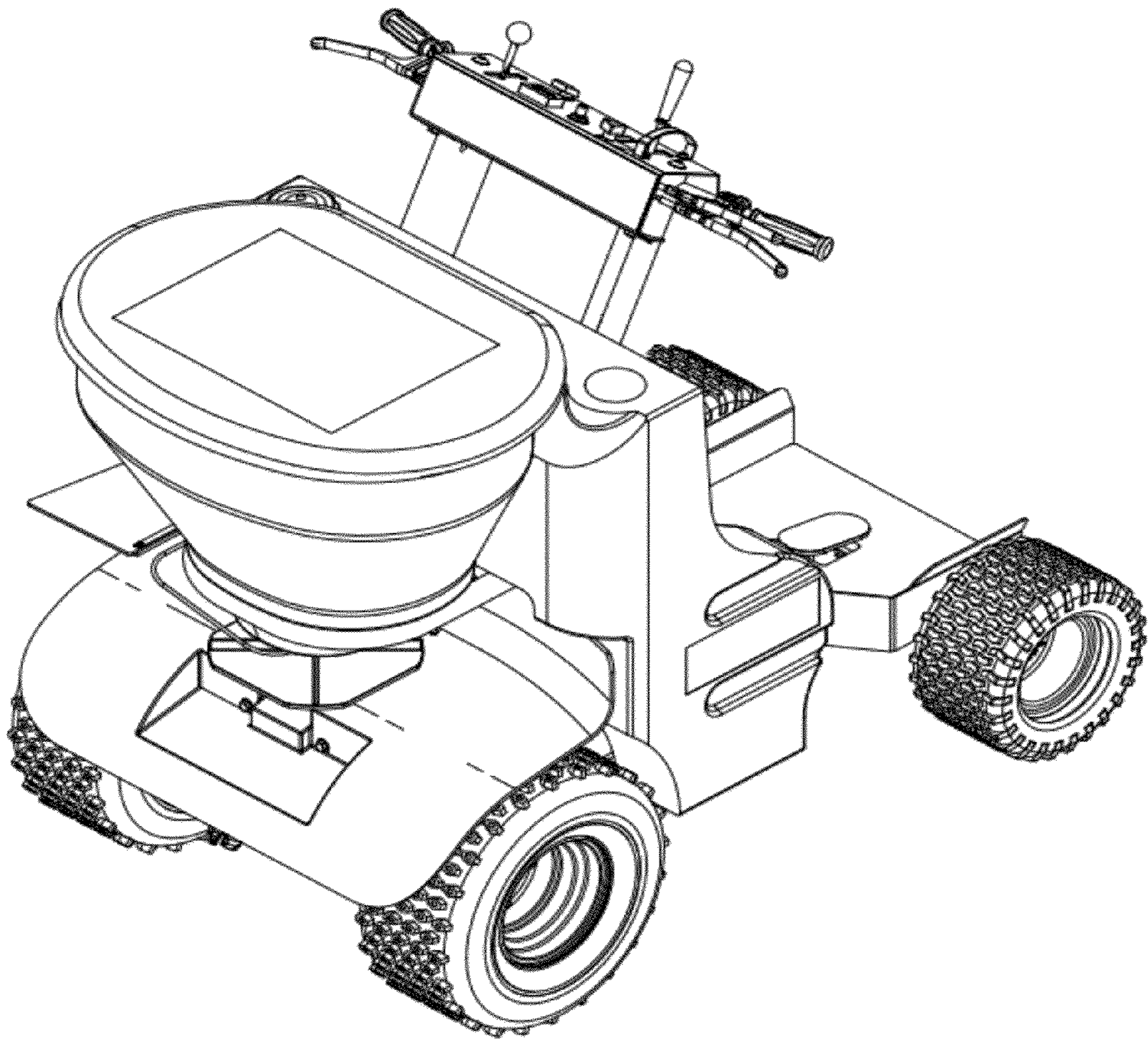


Fig-1

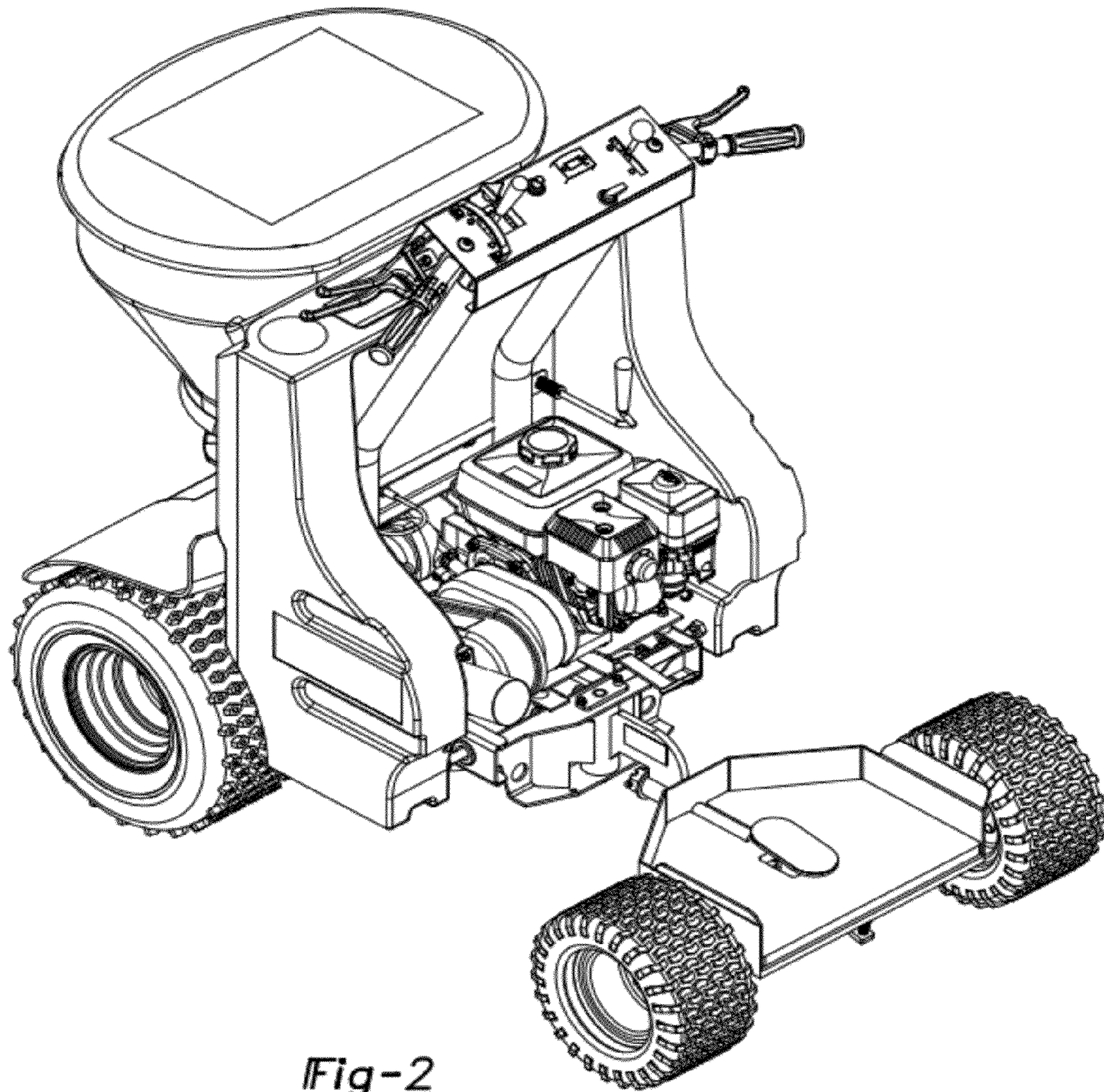


Fig-2

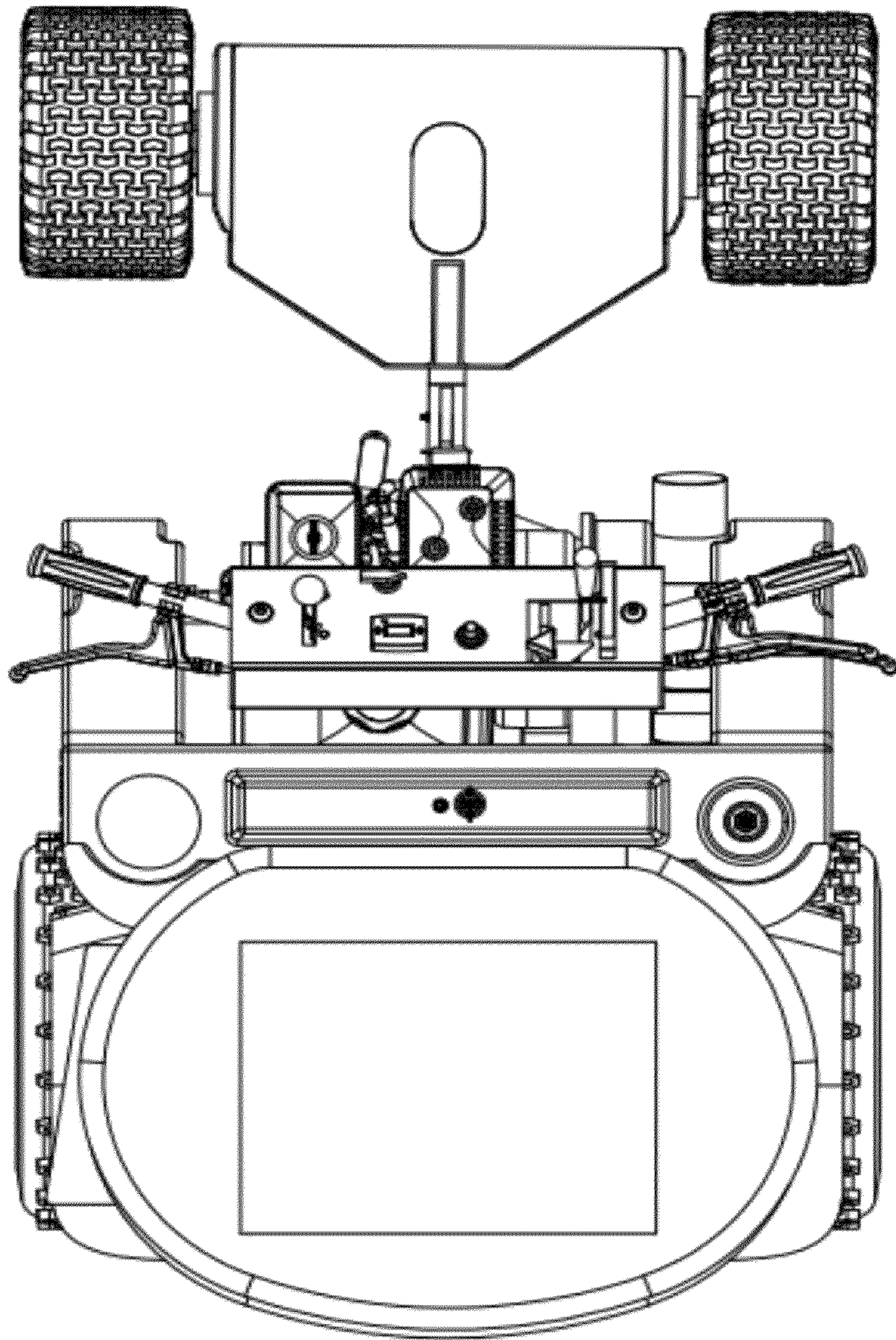


Fig-3

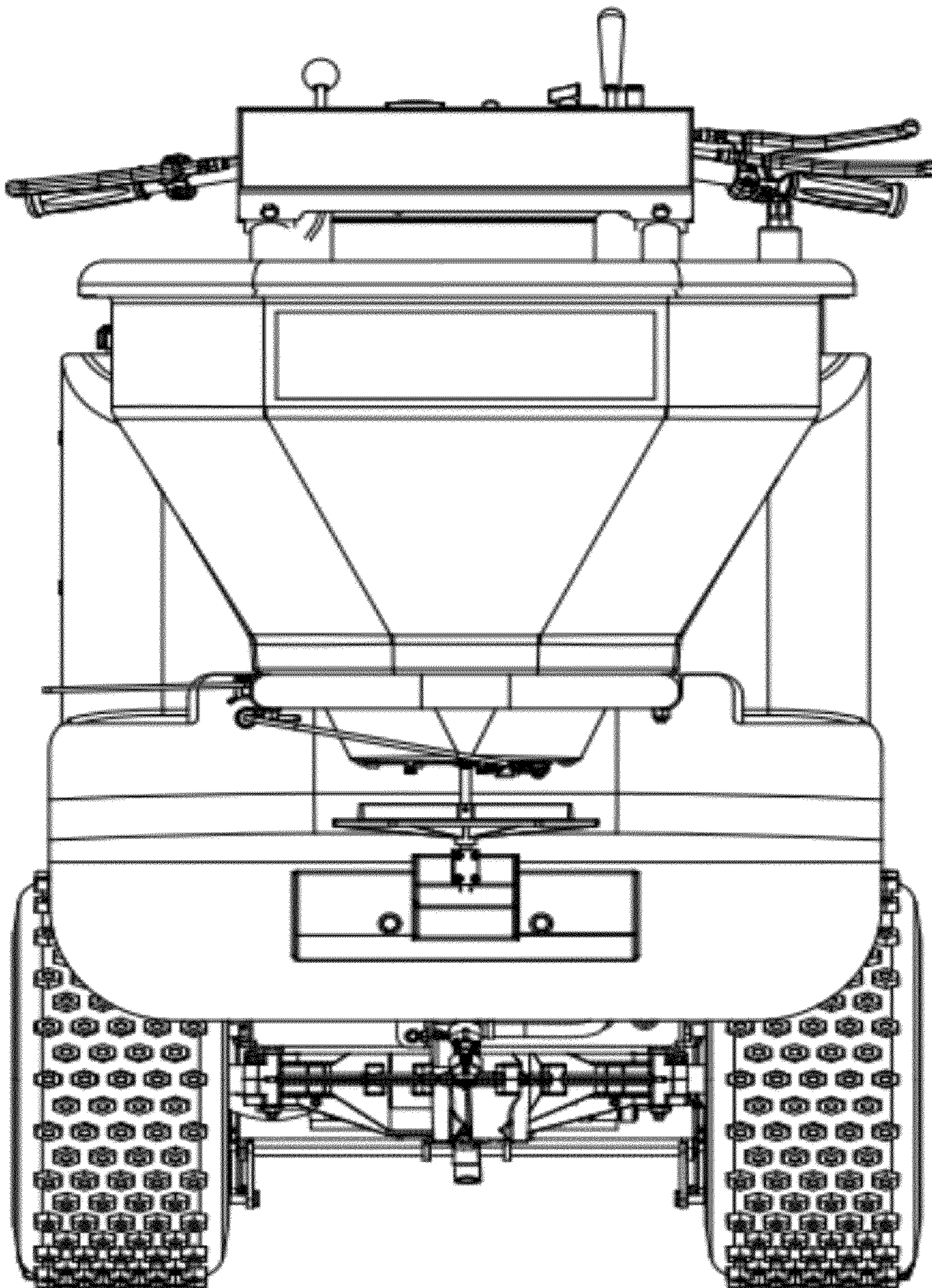


Fig-4

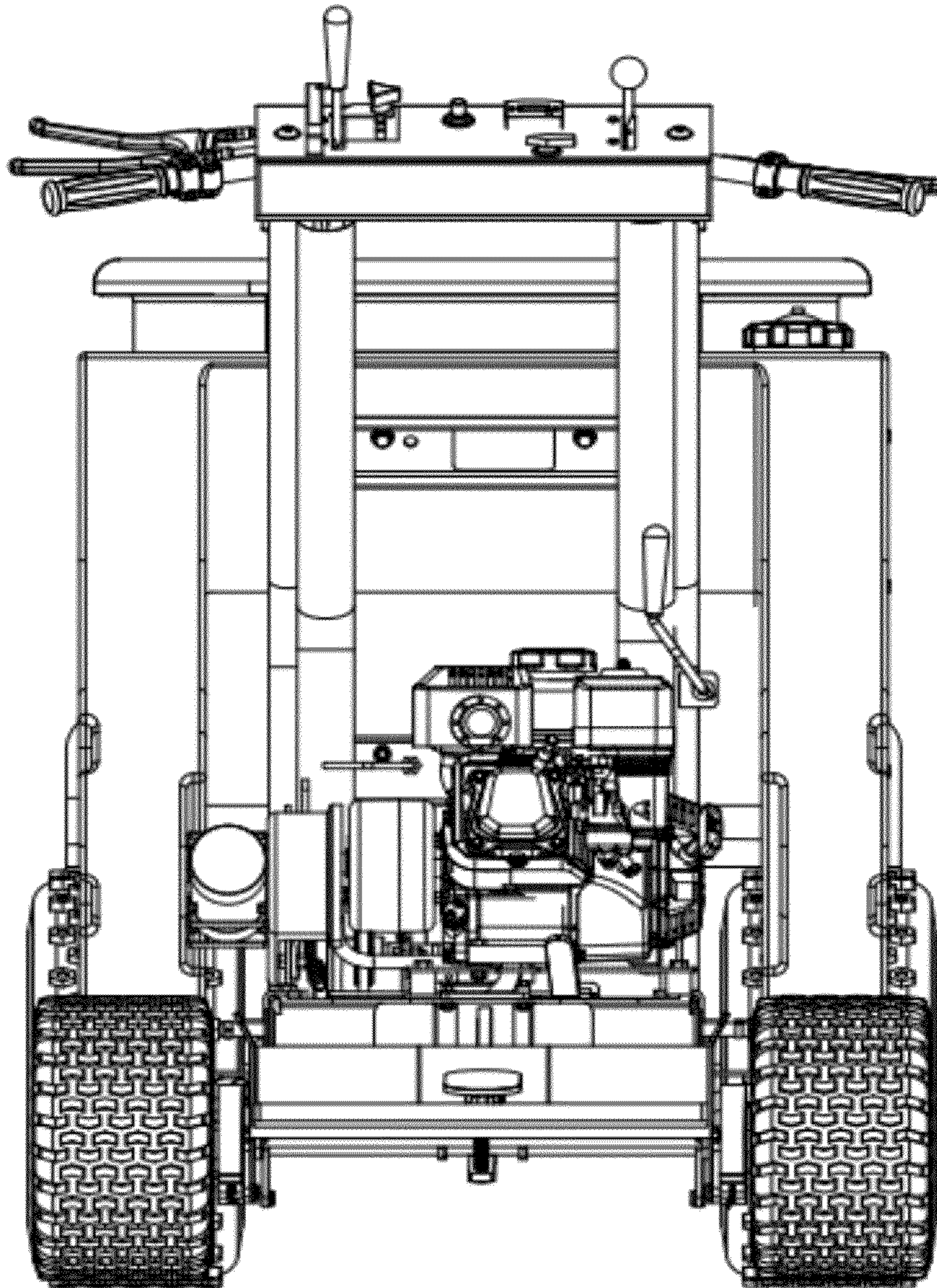


Fig-5

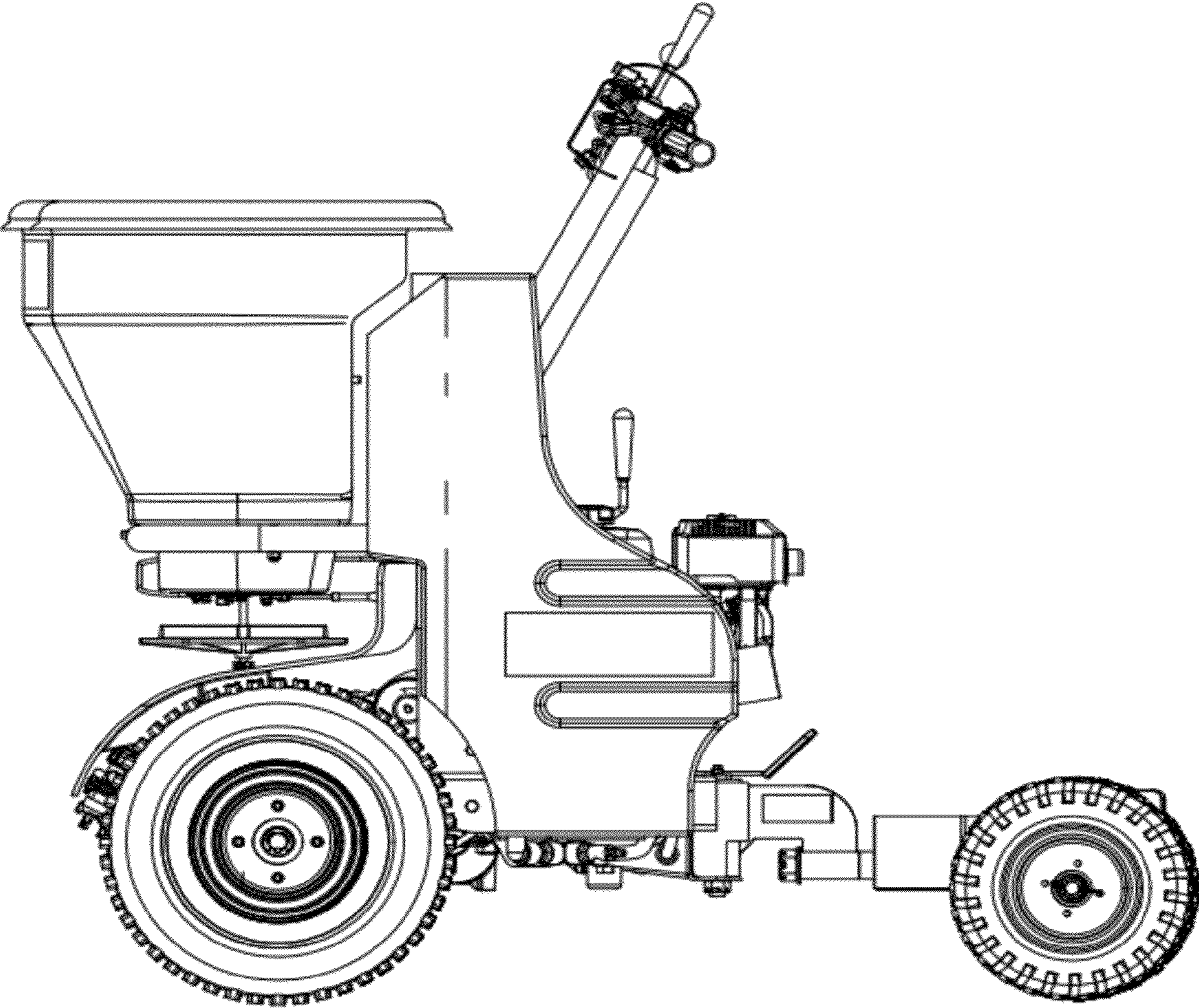


Fig-6

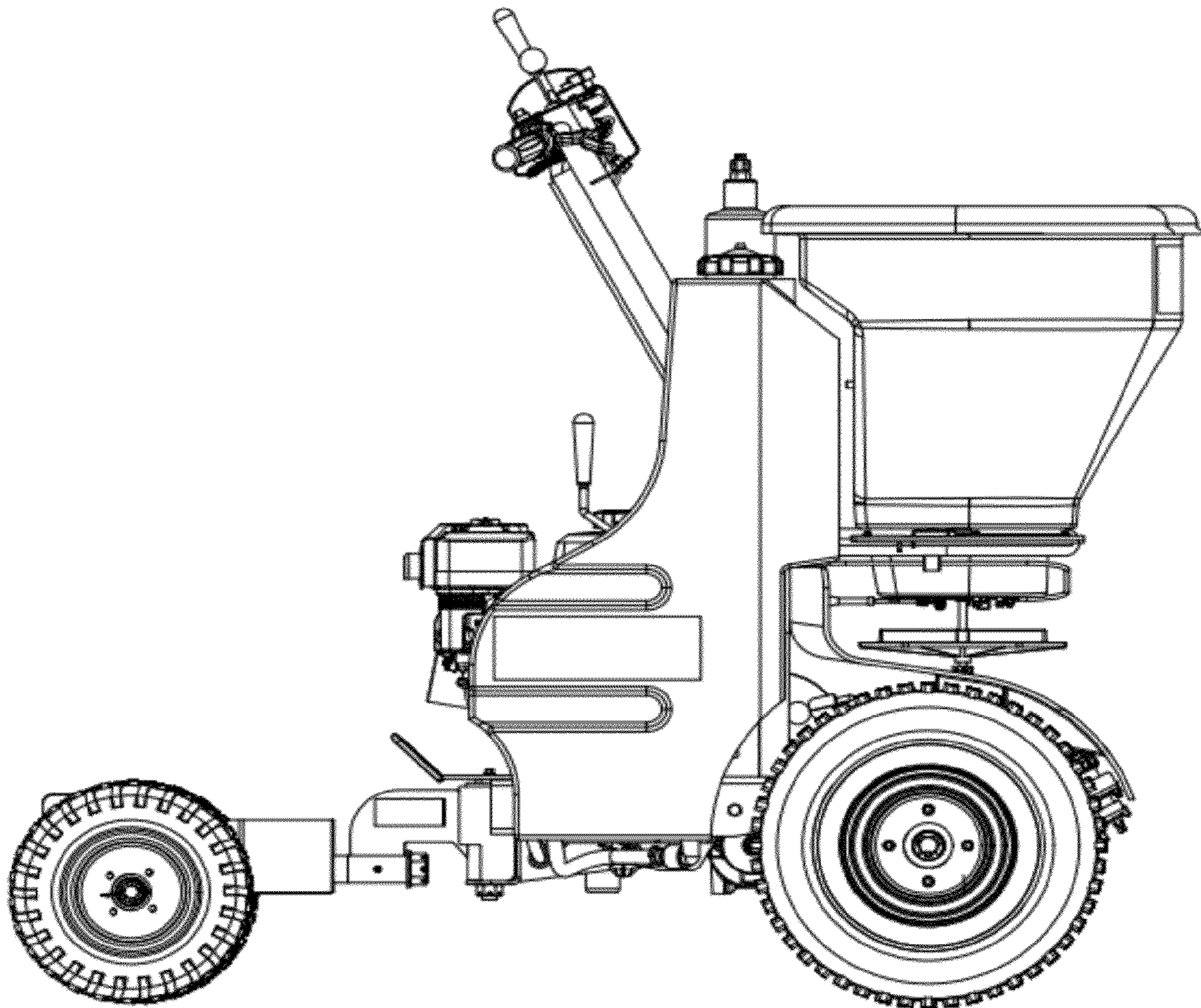


Fig-7