



US00D673576S

(12) **United States Design Patent**
Lin et al.

(10) **Patent No.:** **US D673,576 S**
(45) **Date of Patent:** **** Jan. 1, 2013**

(54) **DATA ACCESSING DEVICE**

(75) Inventors: **Yi-Ting Lin**, Hsinchu (TW);
Ming-Ching Wang, Hsinchu (TW);
Hsi-Ming Tsai, Hsinchu (TW); **Peter**
Leekuo Chou, Fountain Valley, CA (US)

(73) Assignee: **Kingston Digital, Inc.**, Fountain Valley,
CA (US)

(**) Term: **14 Years**

(21) Appl. No.: **29/397,775**

(22) Filed: **Jul. 20, 2011**

(30) **Foreign Application Priority Data**

Jan. 21, 2011 (TW) 100300342

(51) **LOC (9) Cl.** **14-02**

(52) **U.S. Cl.** **D14/480.7**

(58) **Field of Classification Search** D14/411,
D14/433, 435, 435.1, 436-438, 480.1-480.7,
D14/484.1, 137, 155, 203.1-203.8, 240;
D13/133, 146-147, 154; 710/300, 301; 439/131,
439/135-147; 361/679.31, 679.33, 679.4,
361/752; 711/100, 115

See application file for complete search history.

(56) **References Cited**

U.S. PATENT DOCUMENTS

6,456,500 B1 * 9/2002 Chen 361/752
D500,301 S * 12/2004 Deguchi D14/480.4
D500,485 S * 1/2005 Deguchi D14/480.4
D522,506 S * 6/2006 Chen D14/480.1
D587,266 S * 2/2009 Deguchi D14/480.7
7,551,450 B2 * 6/2009 Sugawara et al. 361/752
7,686,629 B1 * 3/2010 Yu et al. 439/136
D620,016 S * 7/2010 Lo D14/480.6
D620,017 S * 7/2010 Lo D14/480.7

D629,409 S * 12/2010 Lo D14/480.7
D647,100 S * 10/2011 Huang D14/480.7
2010/0315762 A1 * 12/2010 Lo 361/600
2012/0026661 A1 * 2/2012 Ni et al. 361/679.4

OTHER PUBLICATIONS

Techtree.com India > Reviews > Mobile Computing > Portable Storage > Kingston DataTraveler 200 64GB: USB Flash Drive, pp. 1-3, [online] posted Sep. 25, 2009 [retrieved on May 17, 2010]. Retrieved from the Internet <URL: http://www.techtree.com/techtree/jsp/article.jsp?print=1&article_id=106549&cat_id=611>.*

* cited by examiner

Primary Examiner — Karen E Kearney

(74) *Attorney, Agent, or Firm* — Morris Manning & Martin LLP; Tim Tingkang Xia, Esq.

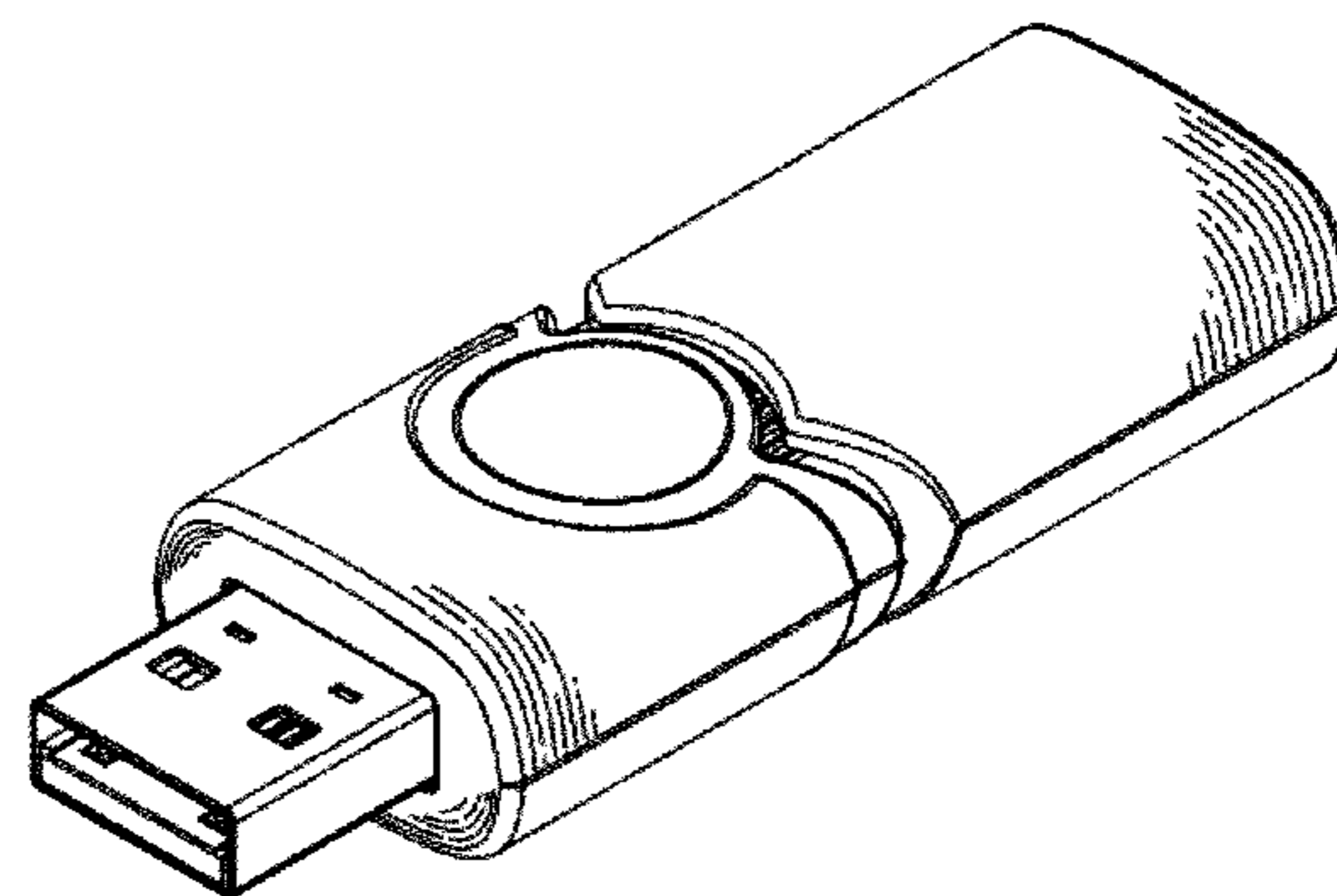
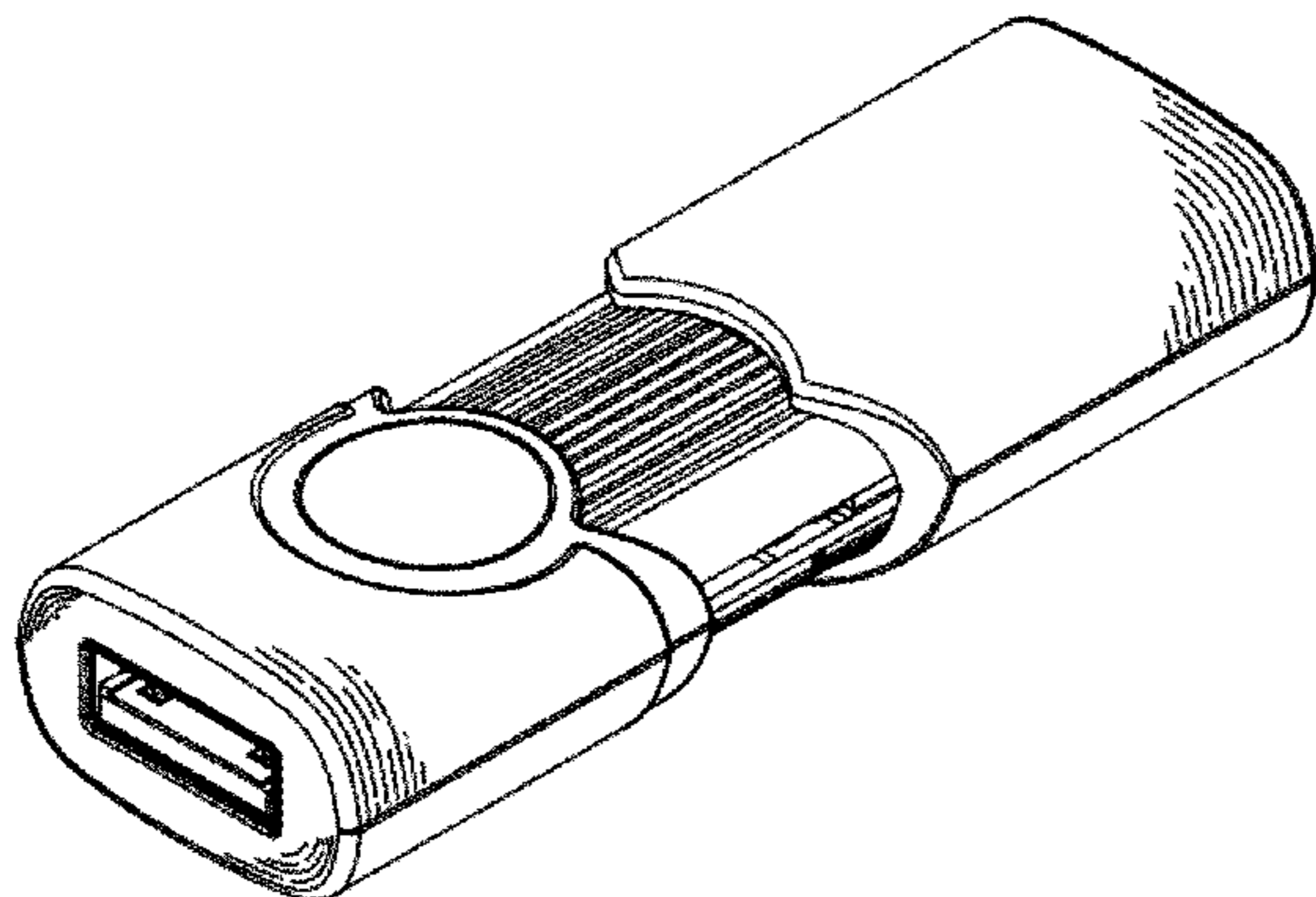
(57) **CLAIM**

The ornamental design for a data accessing device, as shown and described.

DESCRIPTION

FIG. 1 is a perspective view of a data accessing device showing the claimed design;
FIG. 2 is a front elevational view thereof;
FIG. 3 is a rear elevational view thereof;
FIG. 4 is a left side elevational view thereof;
FIG. 5 is a right side elevational view thereof;
FIG. 6 is a top plan view thereof;
FIG. 7 is a bottom plan view thereof;
FIG. 8 is a perspective view showing the data accessing device in a state of use;
FIG. 9 is a front elevational view of FIG. 8;
FIG. 10 is a rear elevational view of FIG. 8;
FIG. 11 is a left side elevational view of FIG. 8;
FIG. 12 is a right side elevational view of FIG. 8;
FIG. 13 is a top plan view of FIG. 8; and,
FIG. 14 is a bottom plan view of FIG. 8.

1 Claim, 8 Drawing Sheets



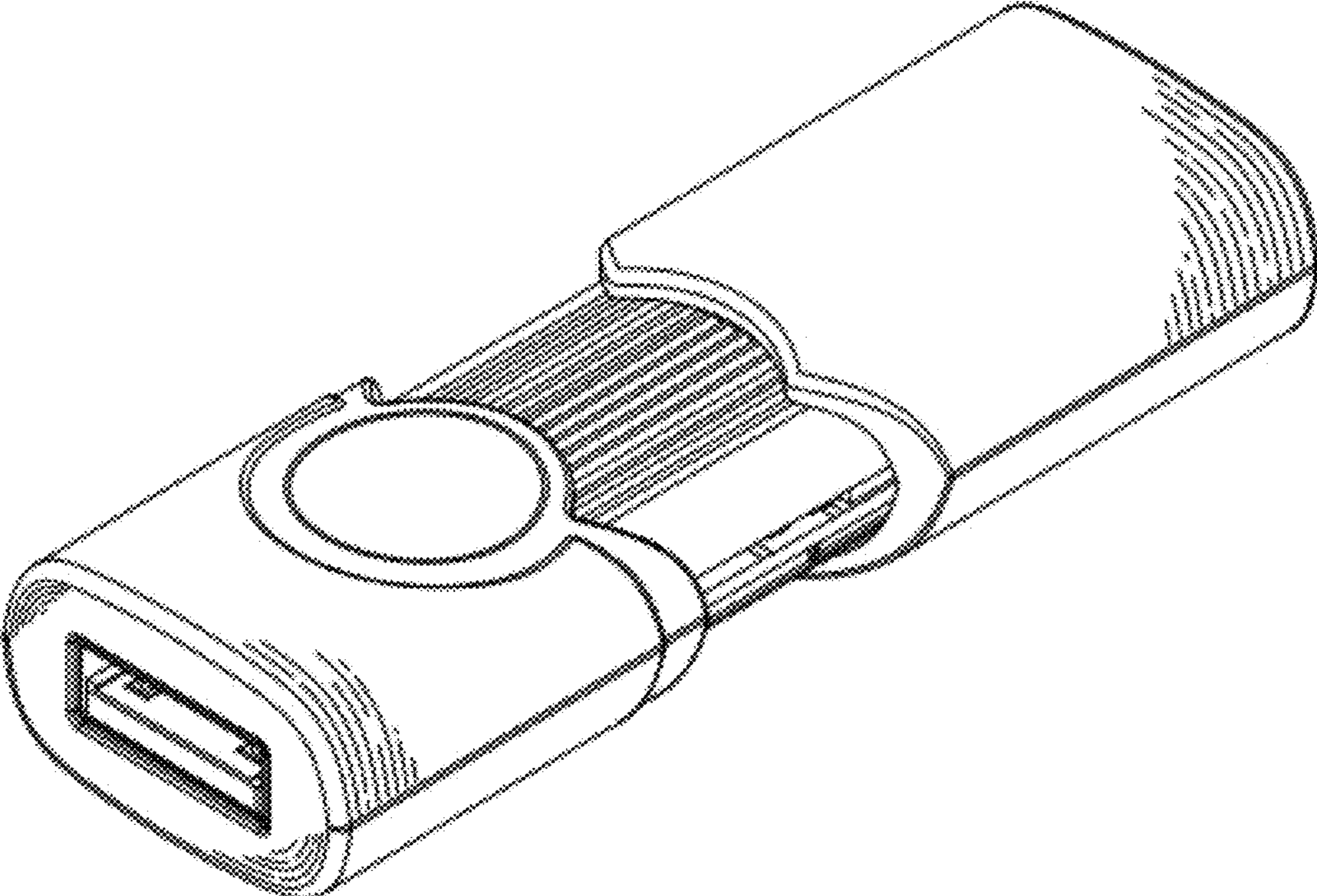


FIG. 1

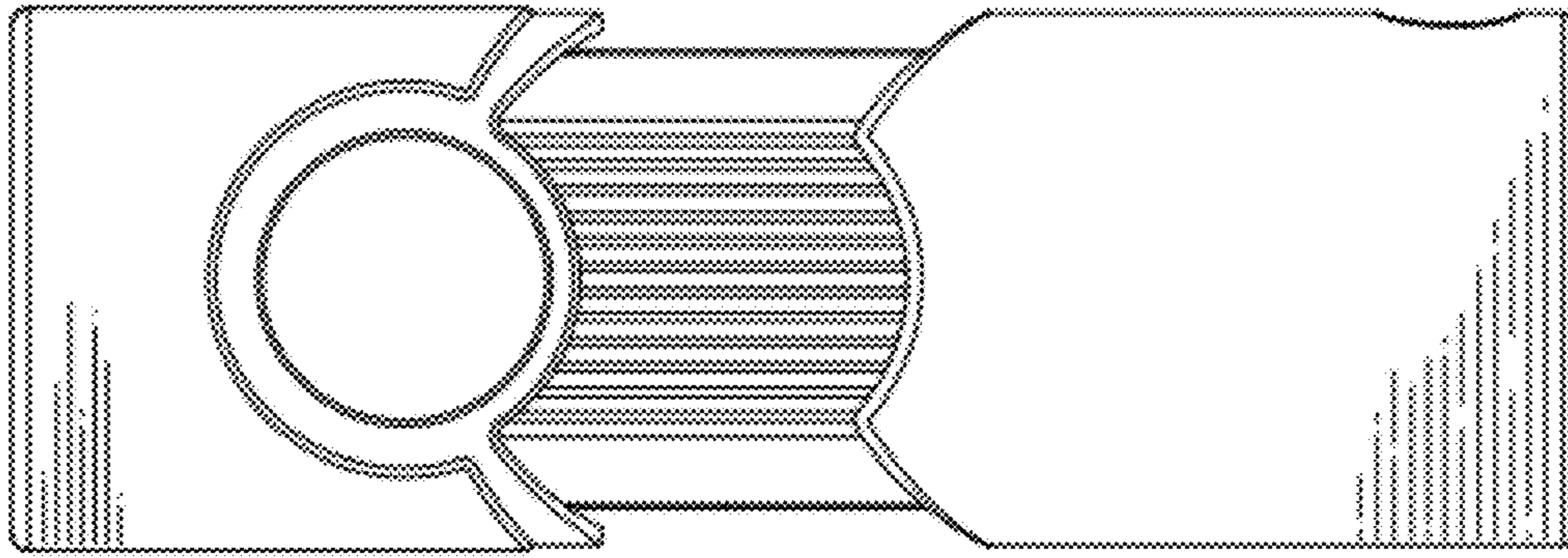


FIG. 2

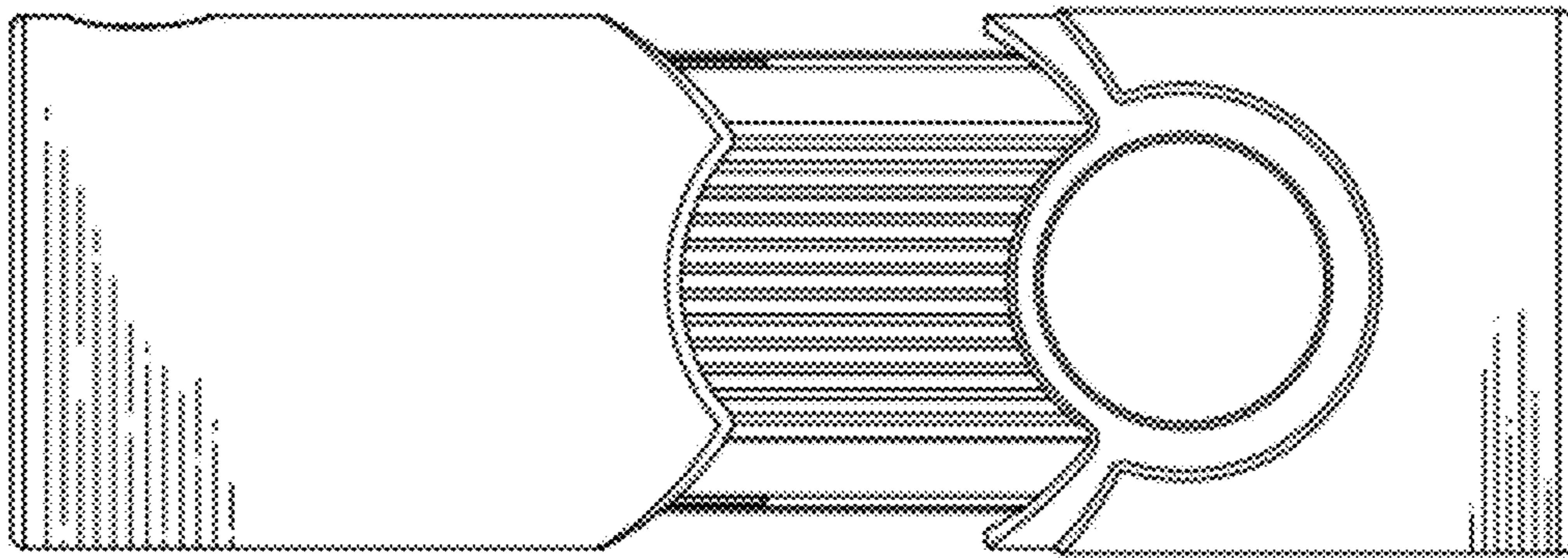


FIG. 3

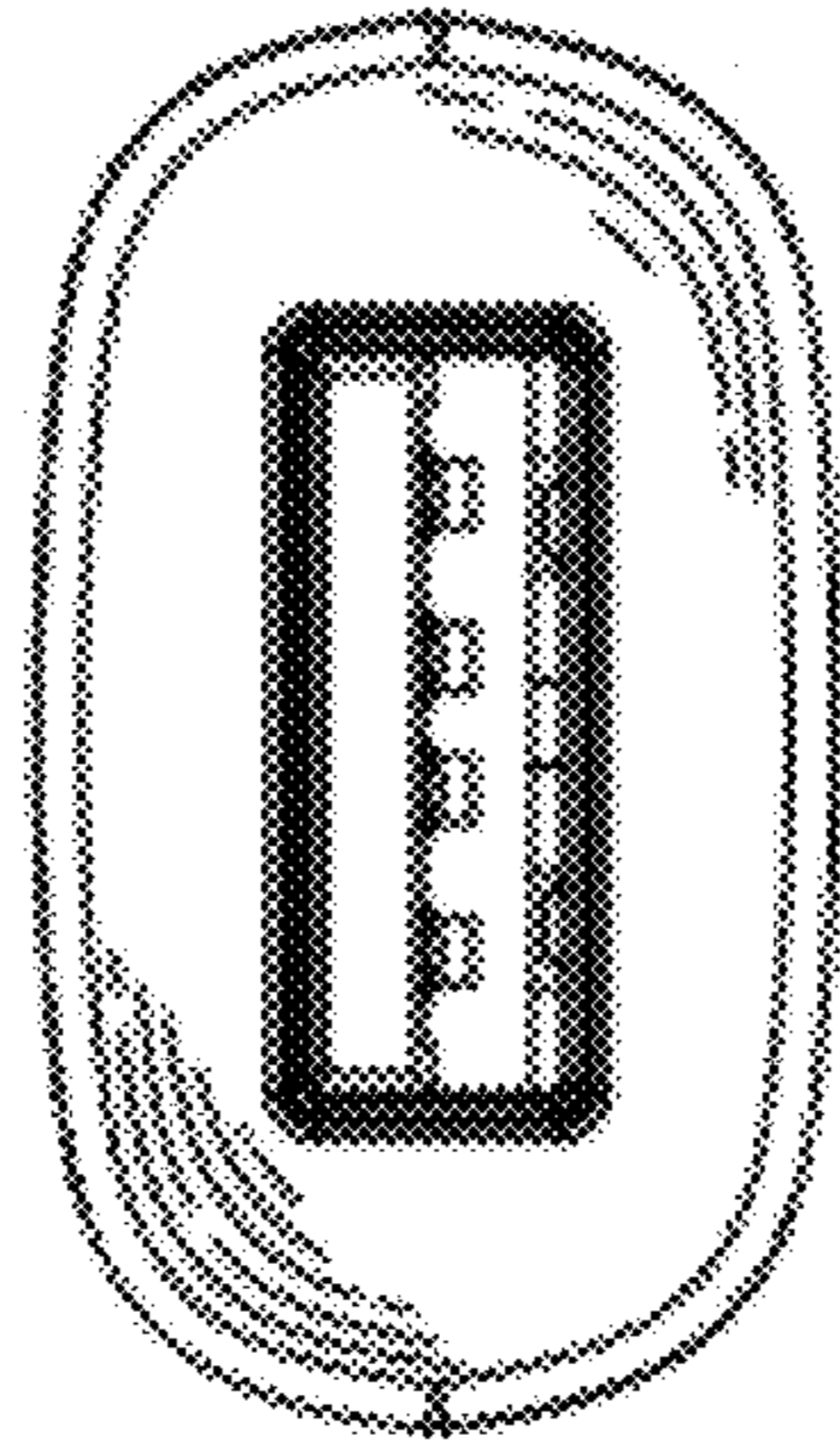


FIG. 4

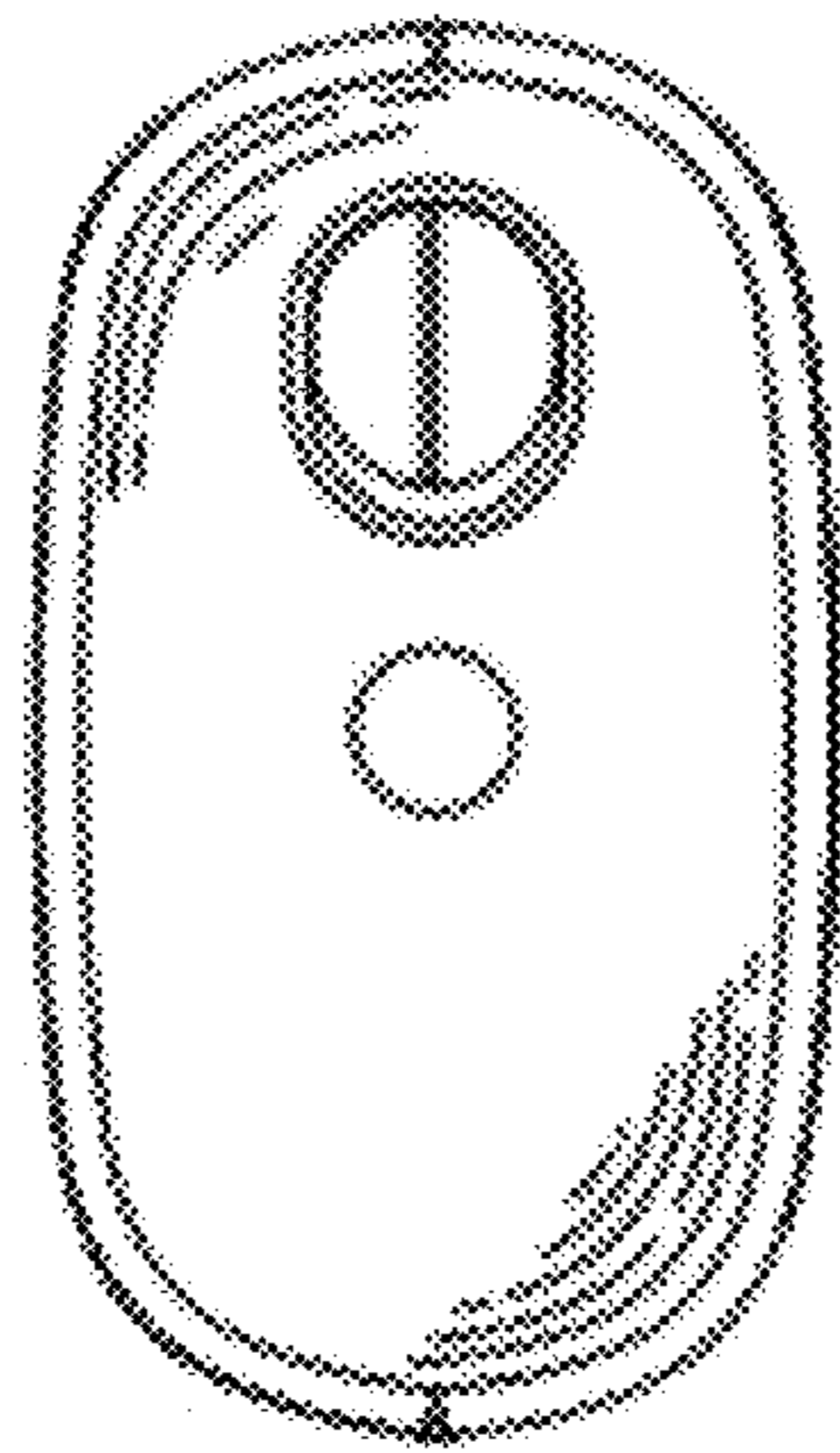


FIG. 5

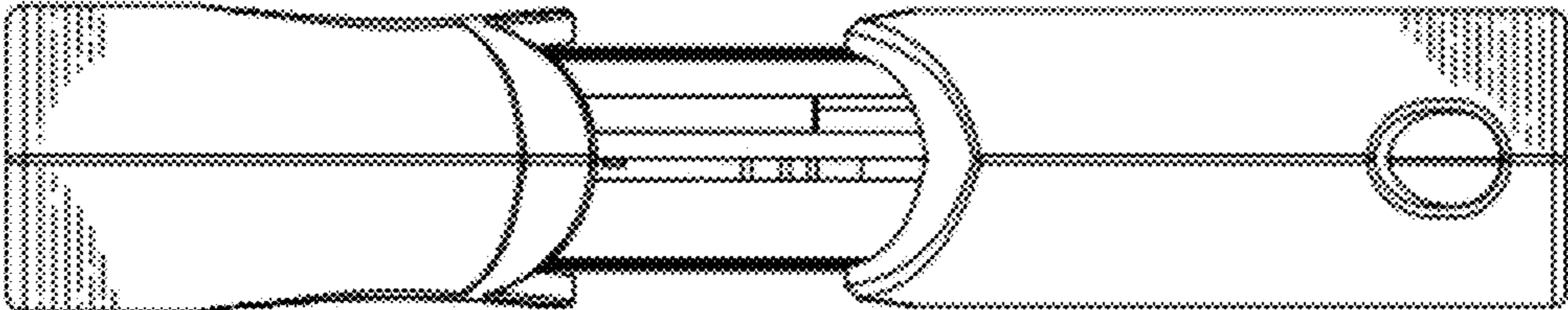


FIG. 6

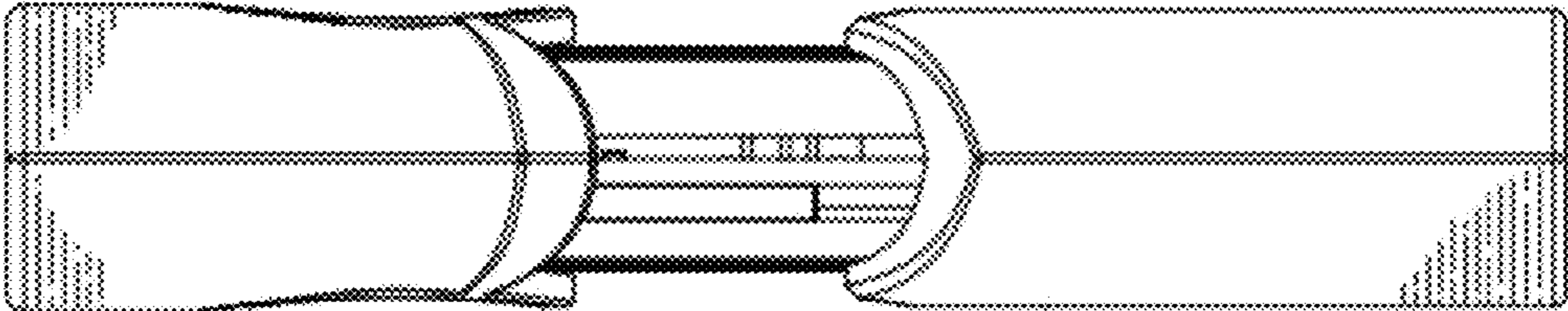


FIG. 7

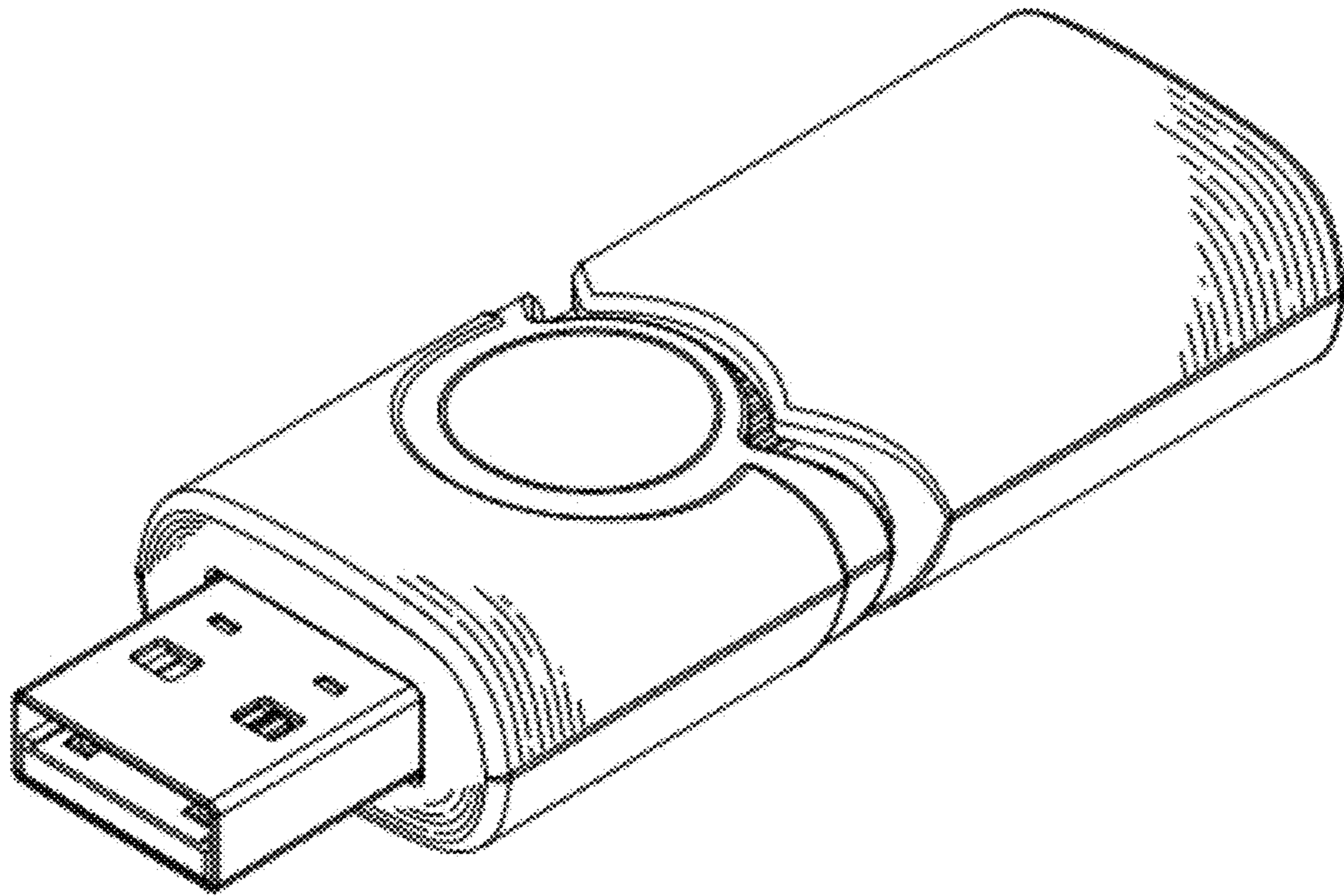


FIG.8

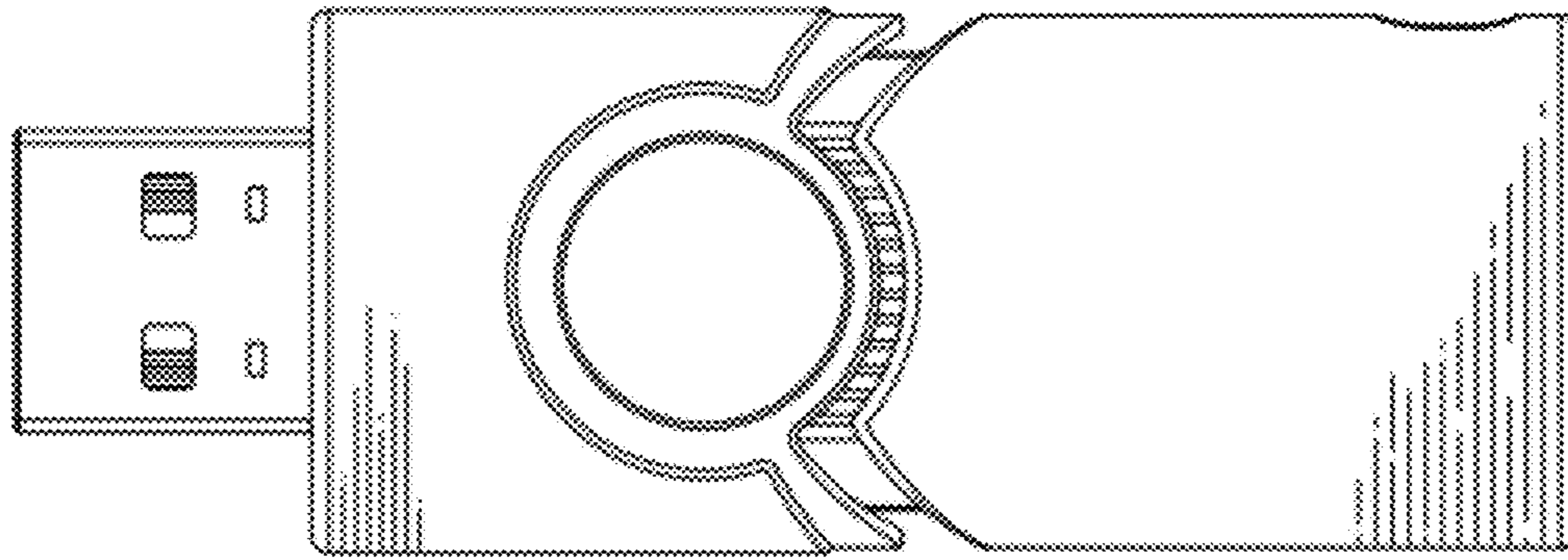


FIG. 9

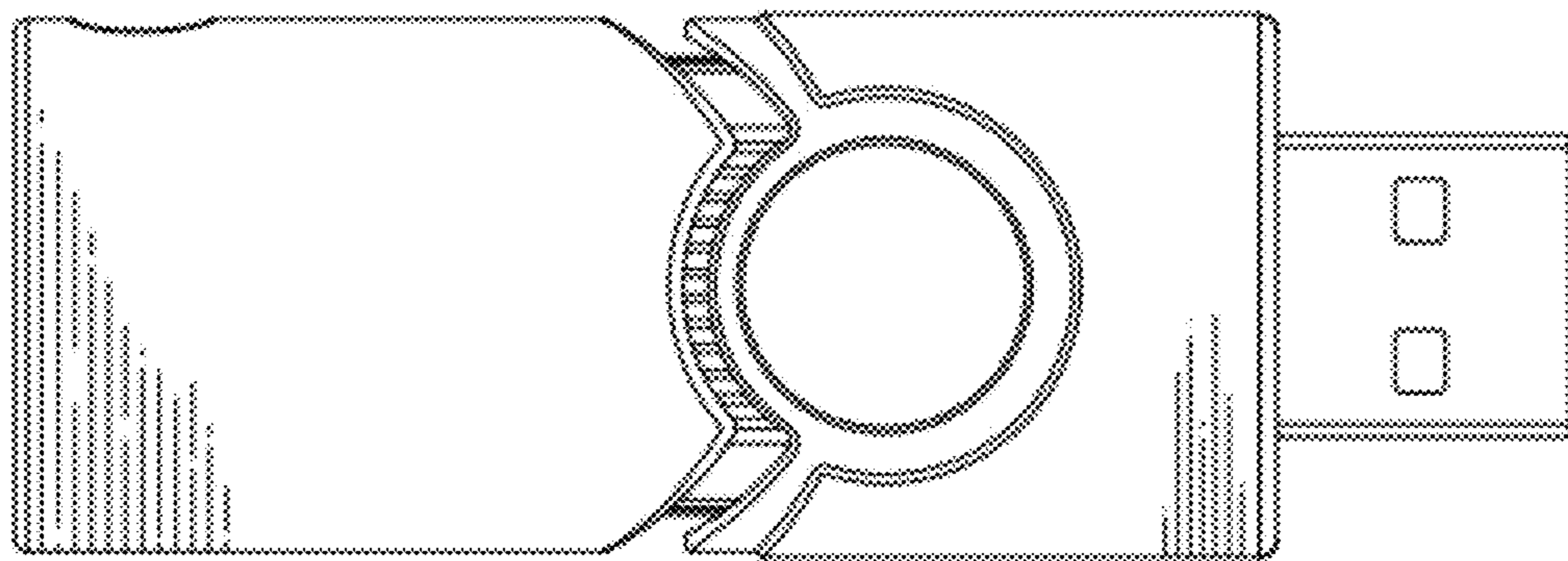


FIG. 10

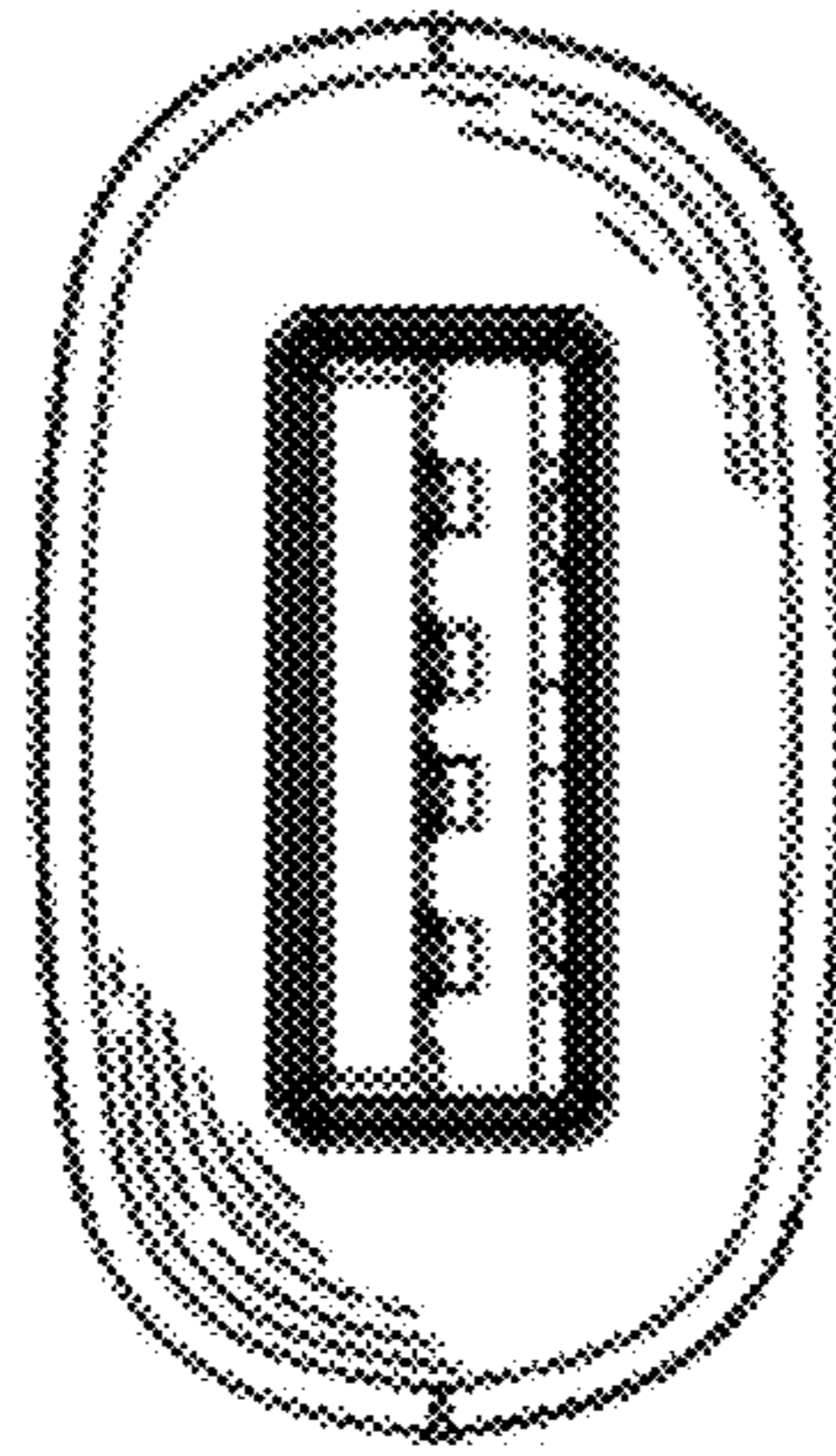


FIG. 11

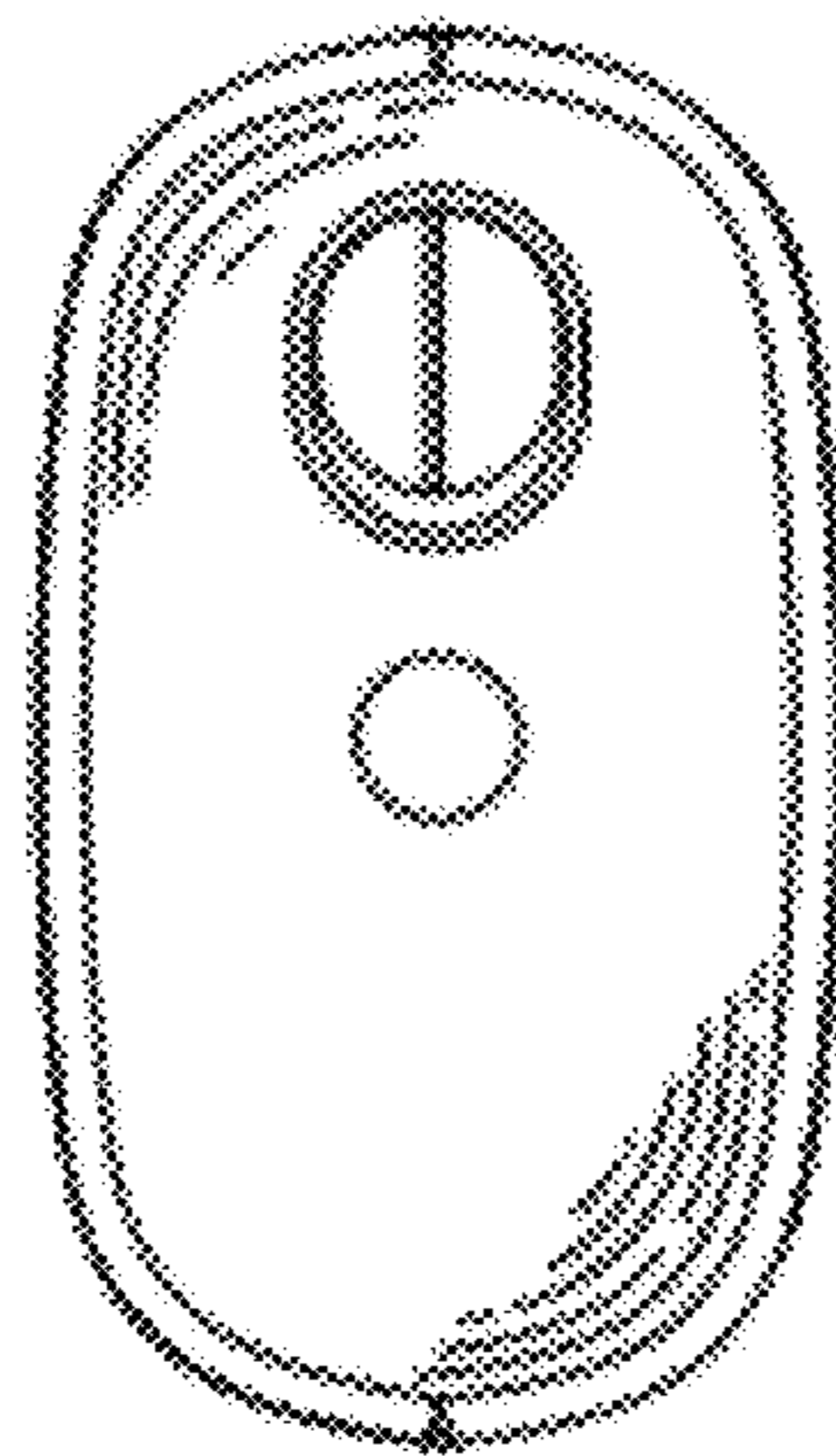


FIG. 12

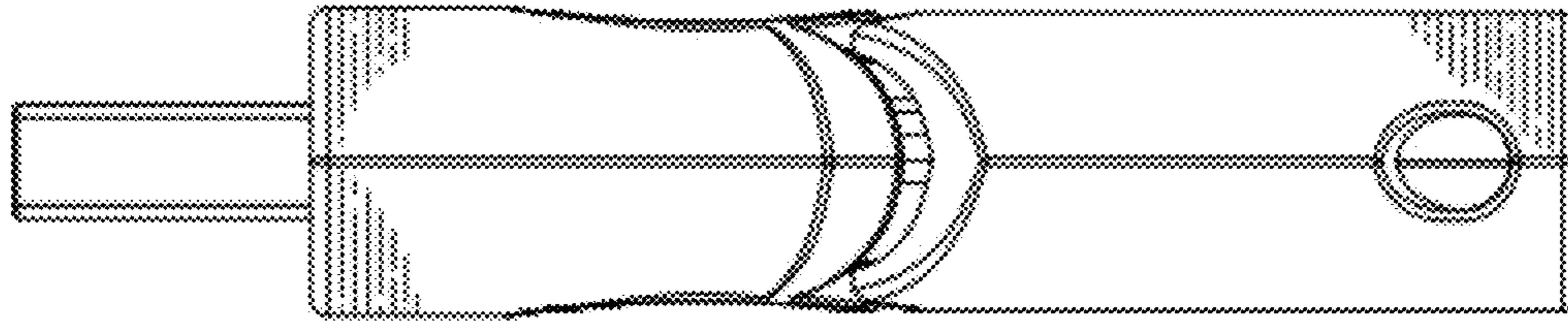


FIG. 13

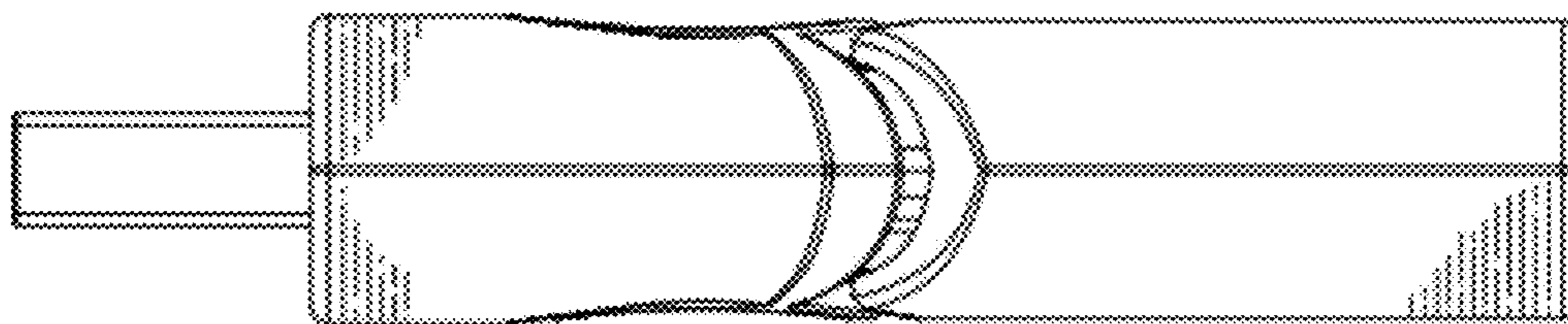


FIG. 14