



US00D673575S

(12) **United States Design Patent**
Lin et al.

(10) **Patent No.:** **US D673,575 S**
(45) **Date of Patent:** **** Jan. 1, 2013**

(54) **DATA ACCESSING DEVICE**

(75) Inventors: **Yi-Ting Lin**, Hsinchu (TW); **Hsi-Ming Tsai**, Hsinchu (TW); **Peter Leekuo Chou**, Fountain Valley, CA (US)

(73) Assignee: **Kingston Digital, Inc.**, Fountain Valley, CA (US)

(**) Term: **14 Years**

(21) Appl. No.: **29/402,510**

(22) Filed: **Sep. 23, 2011**

(51) **LOC (9) Cl.** **14-02**

(52) **U.S. Cl.** **D14/480.5**

(58) **Field of Classification Search** D14/411,
D14/433, 435, 435.1, 436–438, 480.1–480.7,
D14/484.1, 137, 155, 203.1–203.8, 240;
D13/133, 146–147, 154; 710/300, 301; 439/131,
439/135–147; 361/679.31, 679.33, 679.4,
361/752; 711/100, 115

See application file for complete search history.

(56) **References Cited**

U.S. PATENT DOCUMENTS

D512,434	S	*	12/2005	Hioki	D14/484.1
D538,280	S	*	3/2007	Sugita	D14/480.5
D551,250	S	*	9/2007	Andre et al.	D14/484.1
7,364,439	B2	*	4/2008	Lin	439/76.1
D574,365	S	*	8/2008	Andre et al.	D14/217
D582,418	S	*	12/2008	Kim et al.	D14/435.1
D589,888	S	*	4/2009	Wu et al.	D13/147
D618,224	S	*	6/2010	Tong et al.	D14/240
D618,225	S	*	6/2010	Tong et al.	D14/240
D618,226	S	*	6/2010	Tong et al.	D14/240
7,740,492	B2	*	6/2010	Dei Rossi et al.	439/131
D624,553	S	*	9/2010	Mamone	D14/480.5
8,029,302	B1	*	10/2011	Duan	439/142
D648,726	S	*	11/2011	Behar et al.	D14/435.1
8,061,608	B2	*	11/2011	Liao et al.	235/439

8,070,057	B2	*	12/2011	Jain et al.	235/380
D654,082	S	*	2/2012	Lo	D14/480.5
2007/0171620	A1	*	7/2007	Lee	361/737
2012/0069518	A1	*	3/2012	Hsu et al.	361/679.58

OTHER PUBLICATIONS

gizmodo.com, [online] Jun. 2006 [retrieved on Dec. 13, 2006]. Retrieved from the Internet <URL: http://cache.gizmodo.com/assets/resources/2006/06/petito_1.jpg>.*

DailyTech—MoGo Dapter: World’s Smallest Bluetooth Adapter, [online] posted Jan. 15, 2007 [retrieved on Oct. 14, 2008]. Retrieved from the Internet <URL: <http://www.dailytech.com/article.aspx?newsid=5711>>.*

Kingston DataTraveler SE9 and DataTraveler Micro tiny USB drives launched, [online] posted Jan. 31, 2012 [retrieved on Aug. 6, 2012]. Retrieved from the Internet <URL: <http://www.pclaunches.com/hard-drive/kingston-datatraveler-se9-and-datatraveler-micro-tiny-usb-drives-launched.php>>.*

* cited by examiner

Primary Examiner — Karen E Kearney

(74) *Attorney, Agent, or Firm* — Morris Manning & Martin LLP; Tim Tingkang Xia, Esq.

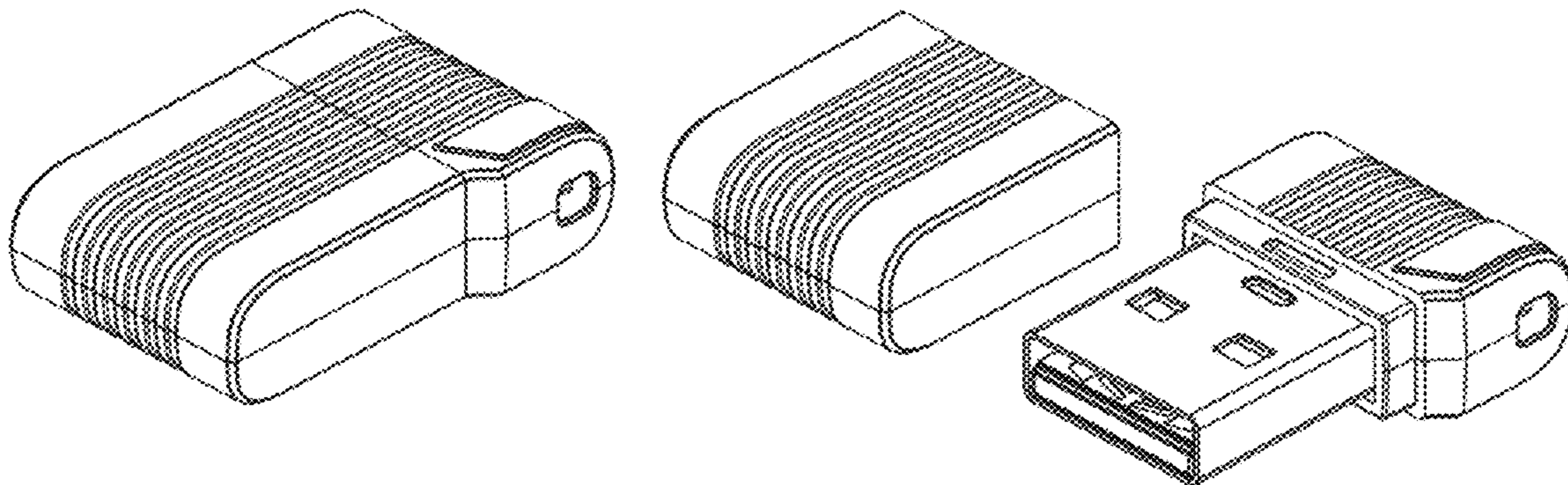
(57) **CLAIM**

The ornamental design for a data accessing device, as shown and described.

DESCRIPTION

FIG. 1 is a perspective view of a data accessing device showing the claimed design;
FIG. 2 is a front elevational view thereof;
FIG. 3 is a rear elevational view thereof;
FIG. 4 is a left side elevational view thereof;
FIG. 5 is a right side elevational view thereof;
FIG. 6 is a top plan view thereof;
FIG. 7 is a bottom plan view thereof; and,
FIG. 8 is a perspective view showing the data accessing device in a usage state.

1 Claim, 5 Drawing Sheets



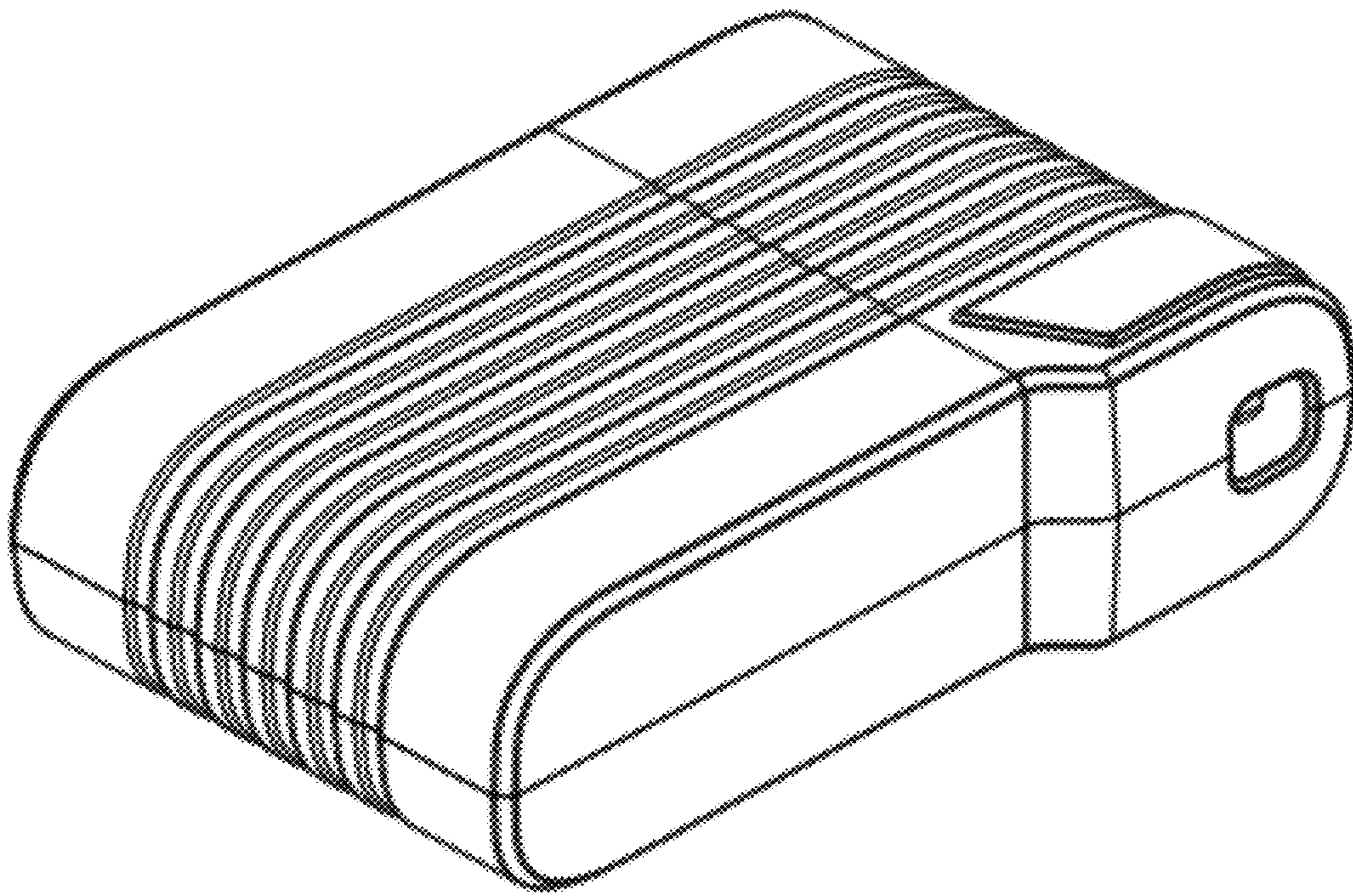


FIG. 1

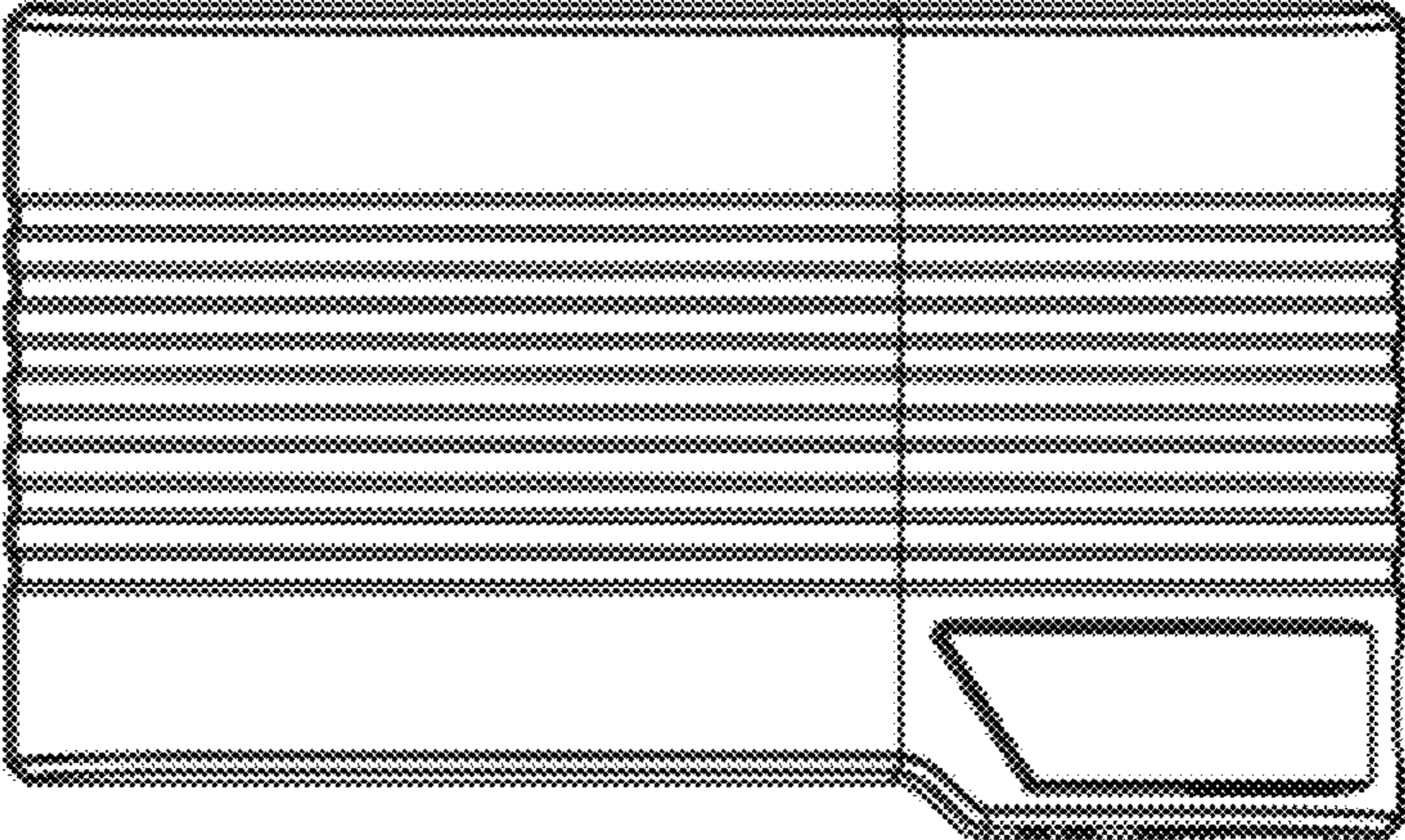


FIG. 2

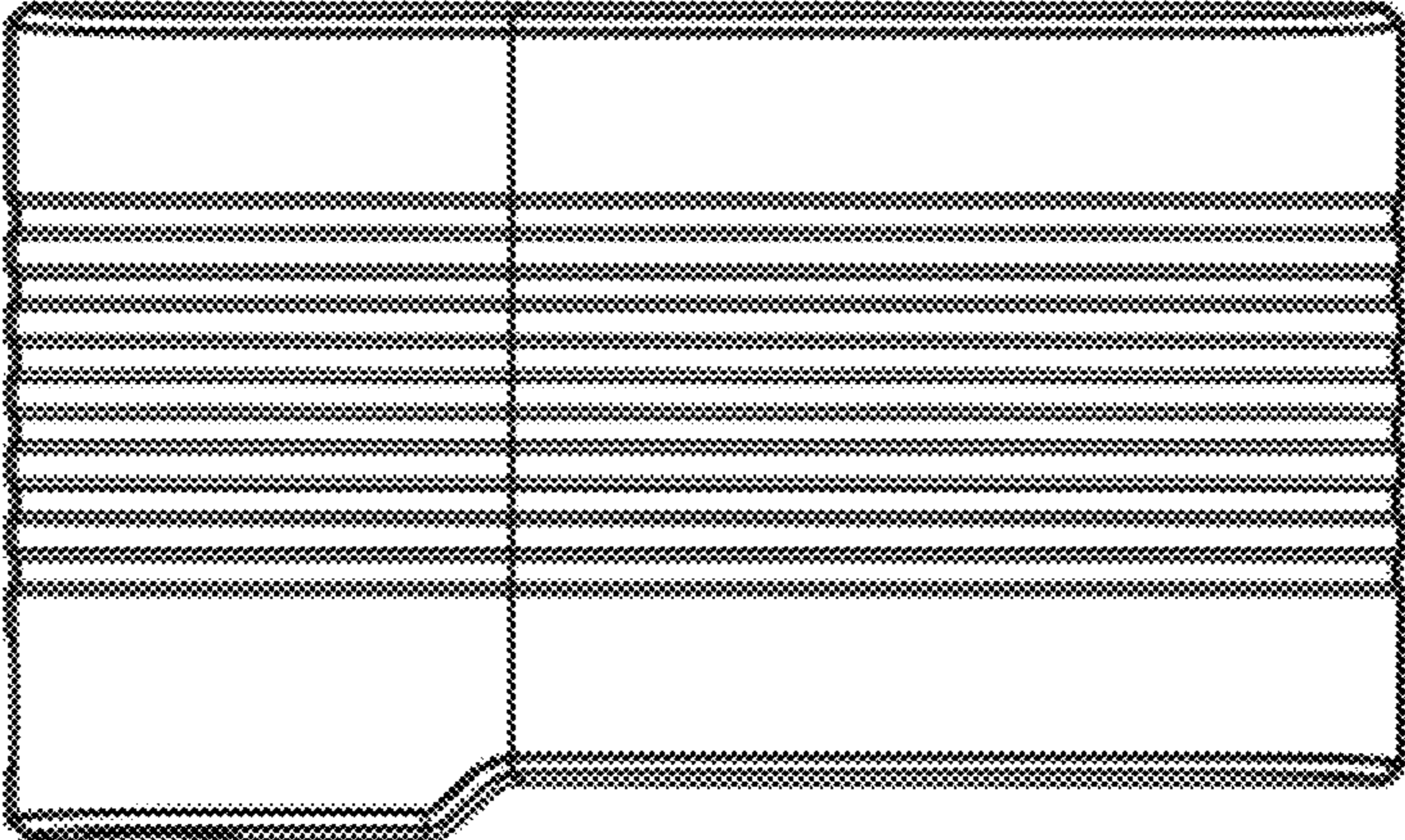


FIG. 3

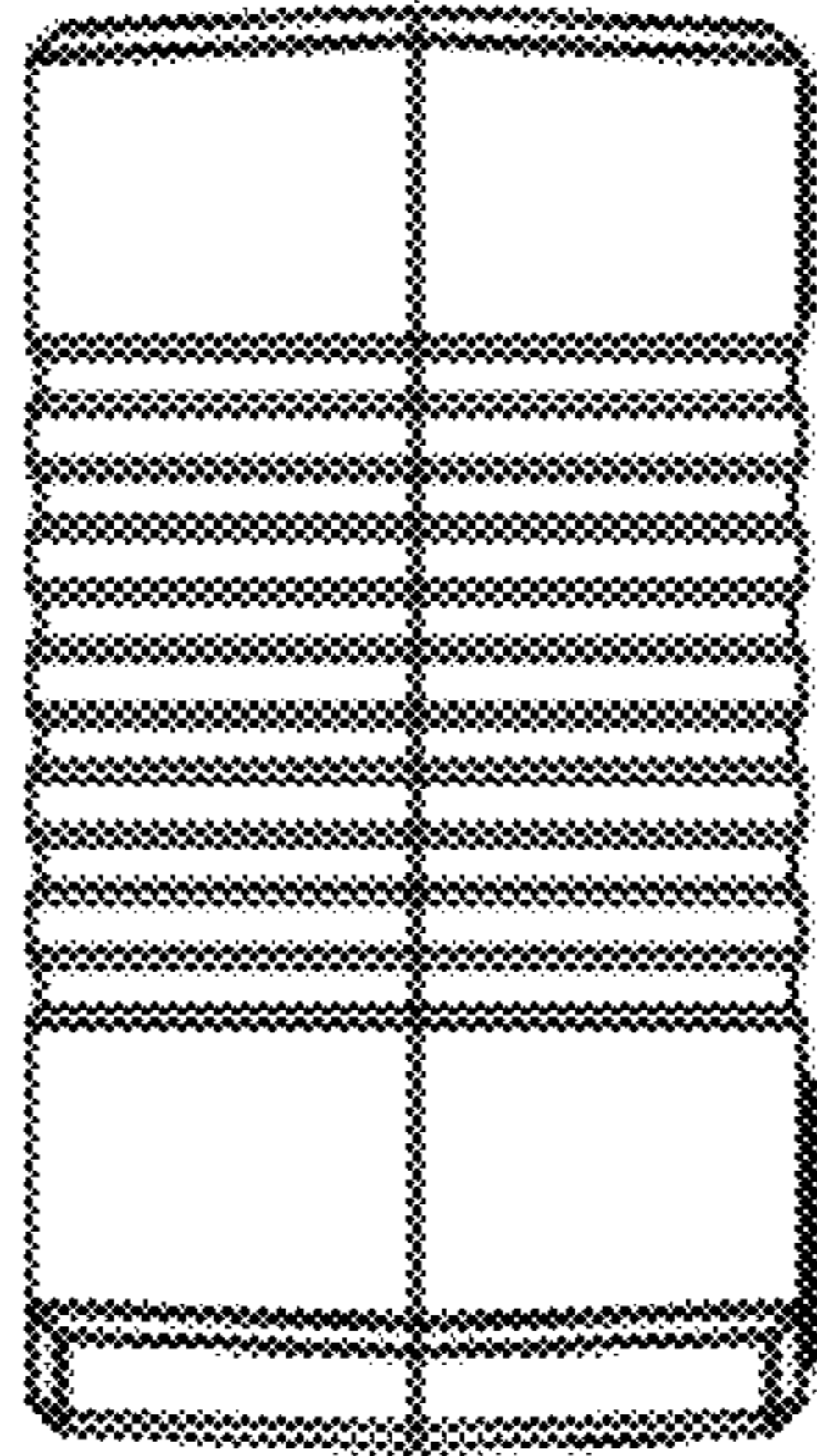


FIG. 4

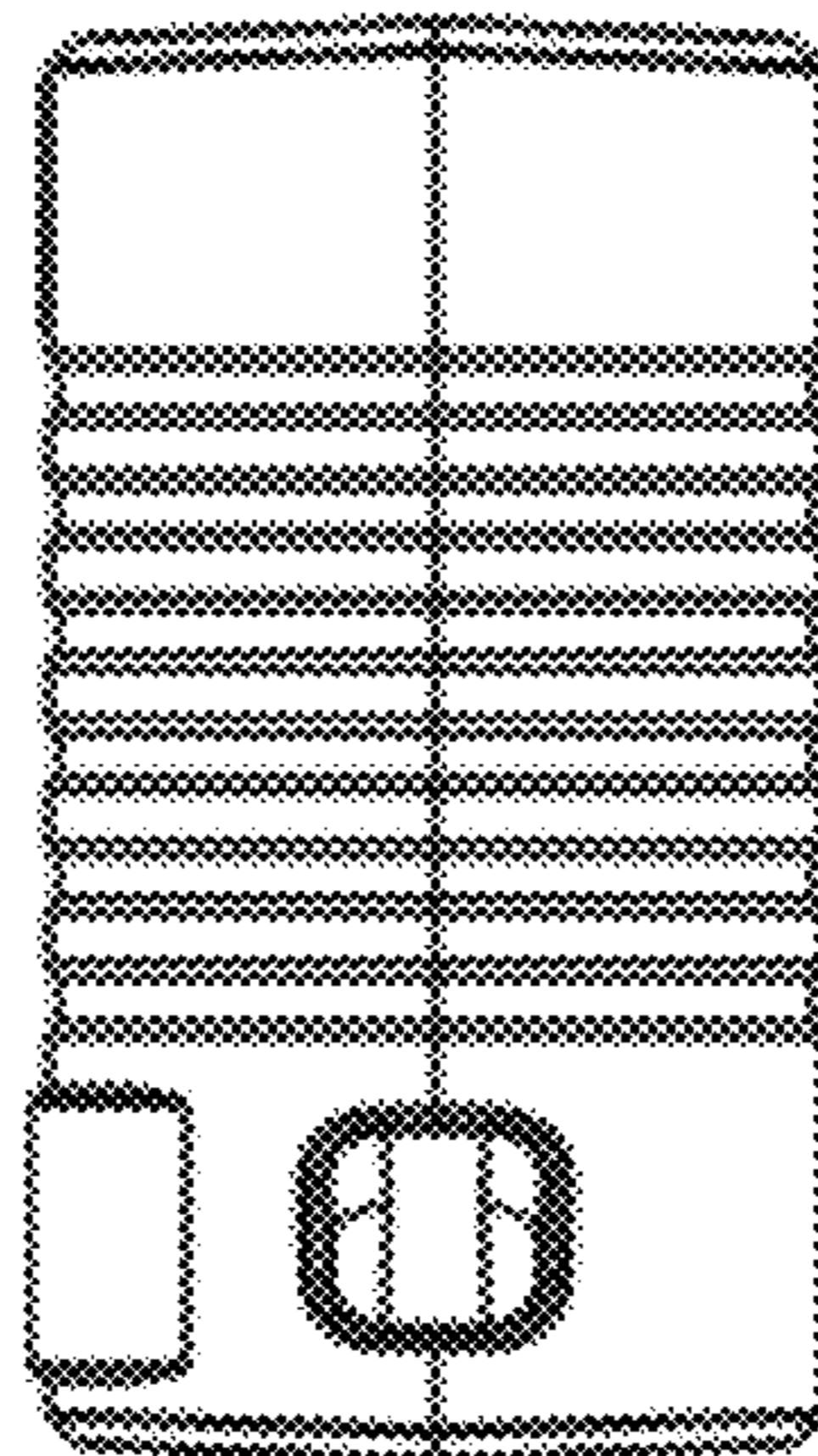


FIG. 5

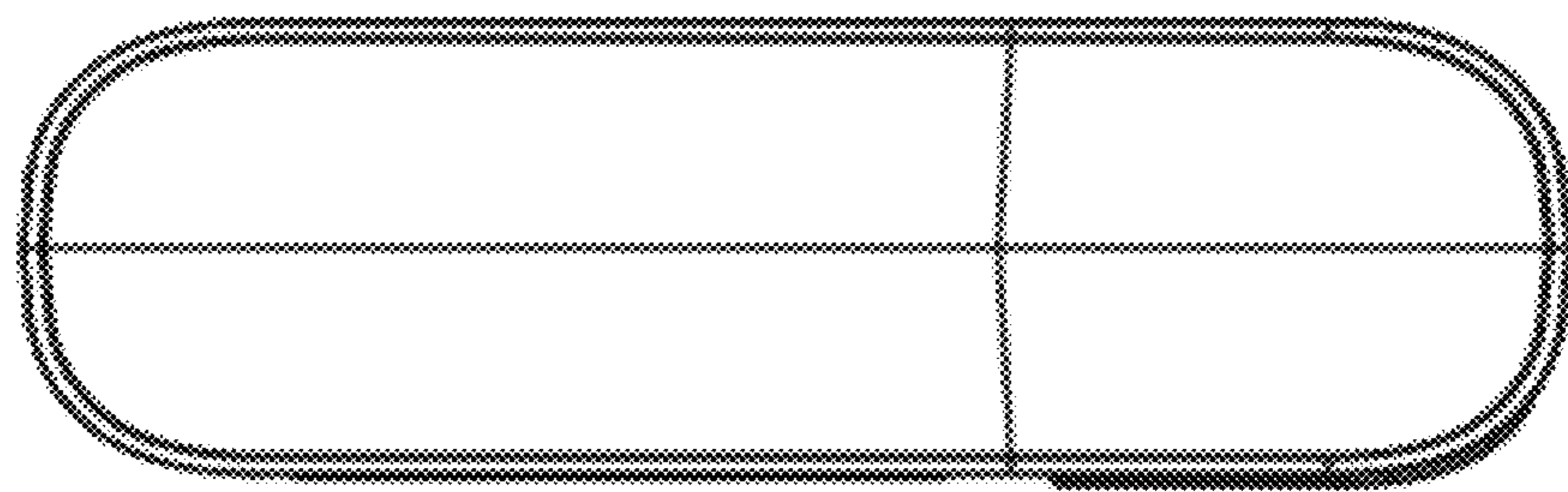


FIG. 6

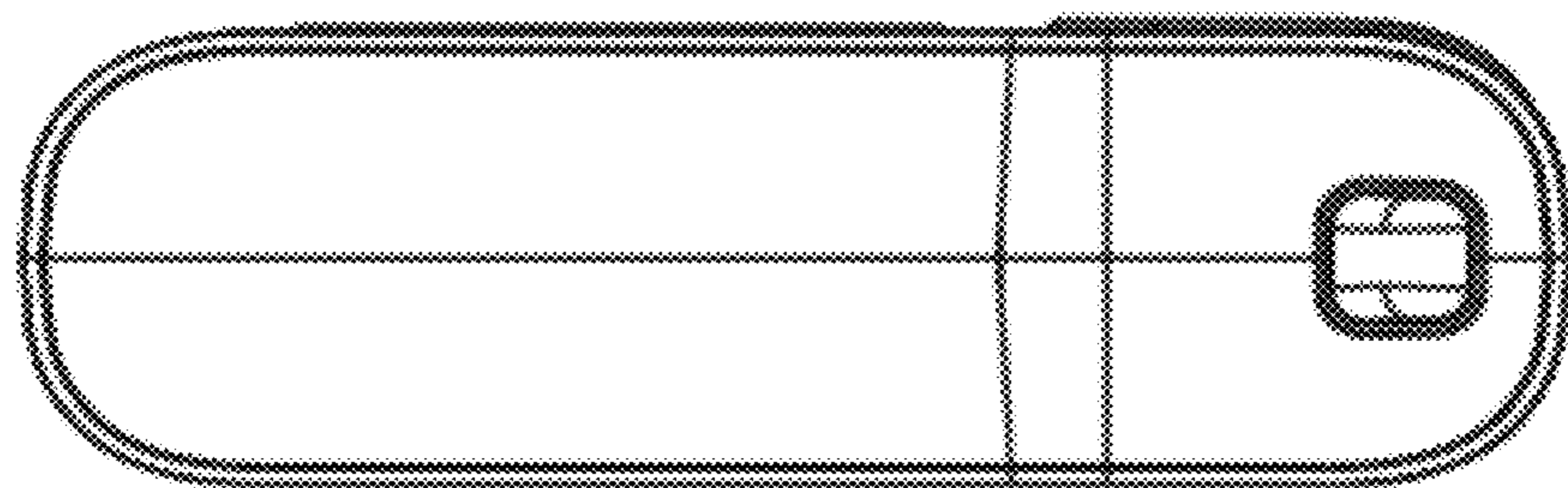


FIG. 7

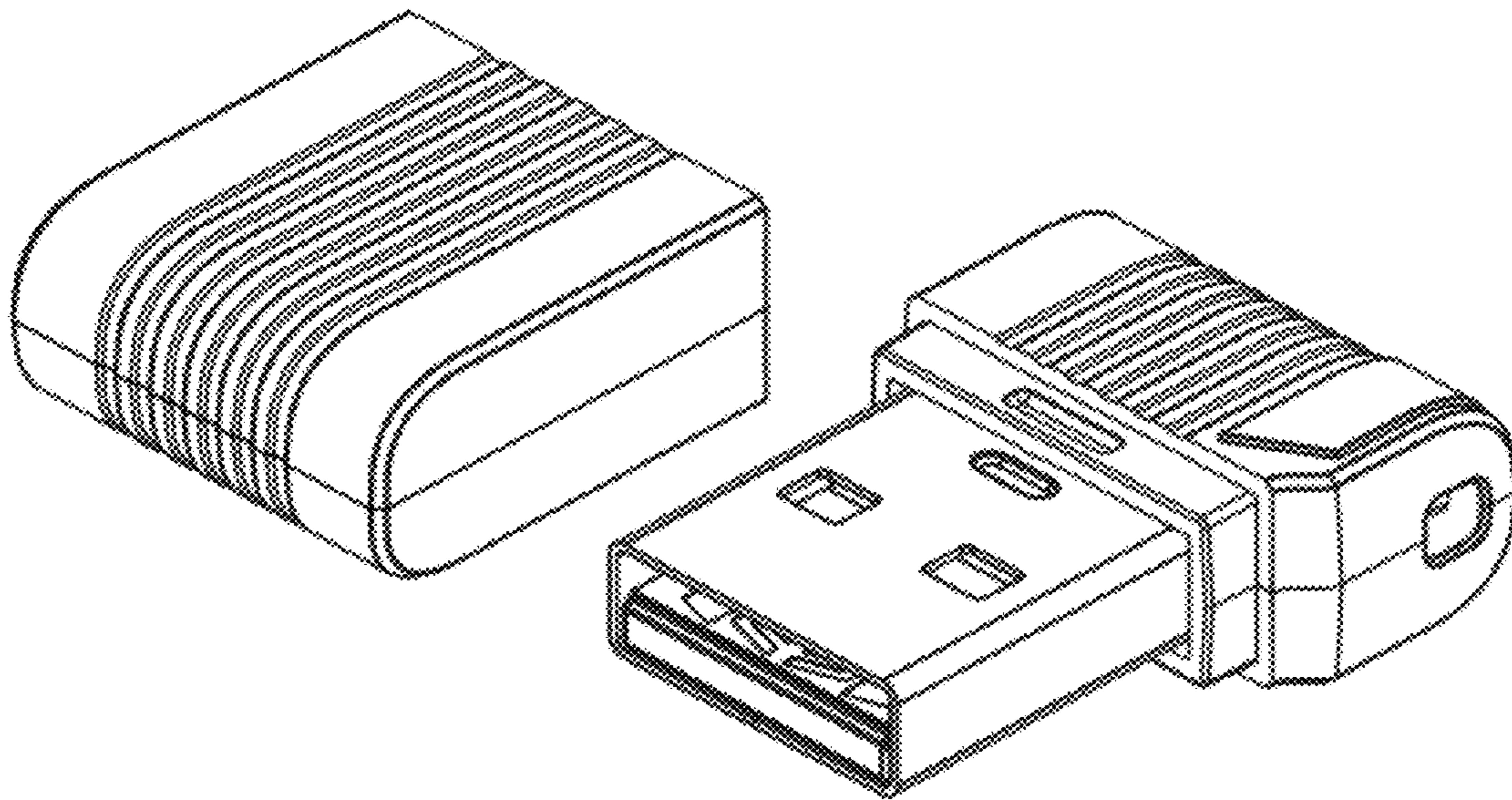


FIG. 8