



US00D673573S

(12) **United States Design Patent**  
**Skene et al.**

(10) **Patent No.:** **US D673,573 S**  
(45) **Date of Patent:** **\*\* Jan. 1, 2013**

- (54) **TABLET HANDLE AND STAND**
- (75) Inventors: **Jeremy F. Skene**, Herndon, VA (US);  
**Timothy E. Skene**, Montreal (CA)
- (73) Assignee: **Jelly Industries, LLC**, Herndon, VA (US)
- (\*\*) Term: **14 Years**
- (21) Appl. No.: **29/422,188**
- (22) Filed: **May 17, 2012**
- (51) **LOC (9) Cl.** ..... **14-04**
- (52) **U.S. Cl.** ..... **D14/447**
- (58) **Field of Classification Search** ..... D14/447,  
D14/432, 433, 434, 439, 440, 451, 452, 457,  
D14/239, 251, 253, 217, 374, 375, 376, 377,  
D14/902; D12/415, 416; D3/218, 274, 318,  
D3/321, 328; D6/406.3, 406.4; 190/117;  
361/679.03, 679.09, 679.05, 679.26, 679.3,  
361/679.55, 679.56; 248/176.1, 917, 918,  
248/919, 920, 921, 922, 923, 924, 682, 689,  
248/690, 691, 692, 441.1, 444, 447, 451,  
248/460, 463, 118, 118.5, 149, 150, 166,  
248/434

- D602,024 S \* 10/2009 Richter ..... D14/447
- D616,431 S \* 5/2010 Hijmans ..... D14/253
- D619,586 S \* 7/2010 Richter ..... D14/447
- D636,395 S \* 4/2011 Anderson et al. .... D14/434
- D640,708 S \* 6/2011 Lee ..... D14/447
- D649,153 S \* 11/2011 Symons ..... D14/447
- D652,422 S \* 1/2012 Cheng ..... D14/447
- 2012/0075799 A1 \* 3/2012 Pollex ..... 361/679.56

\* cited by examiner

*Primary Examiner* — Angela J Lee  
(74) *Attorney, Agent, or Firm* — Thomas & Karceski, PC

See application file for complete search history.

(56) **References Cited**

**U.S. PATENT DOCUMENTS**

- D374,596 S \* 10/1996 Delchev ..... D14/483
- D390,209 S \* 2/1998 Dials et al. .... D14/451
- D539,291 S \* 3/2007 Li et al. .... D14/447
- D562,331 S \* 2/2008 Li ..... D14/452
- D592,205 S \* 5/2009 O'Brien ..... D14/253

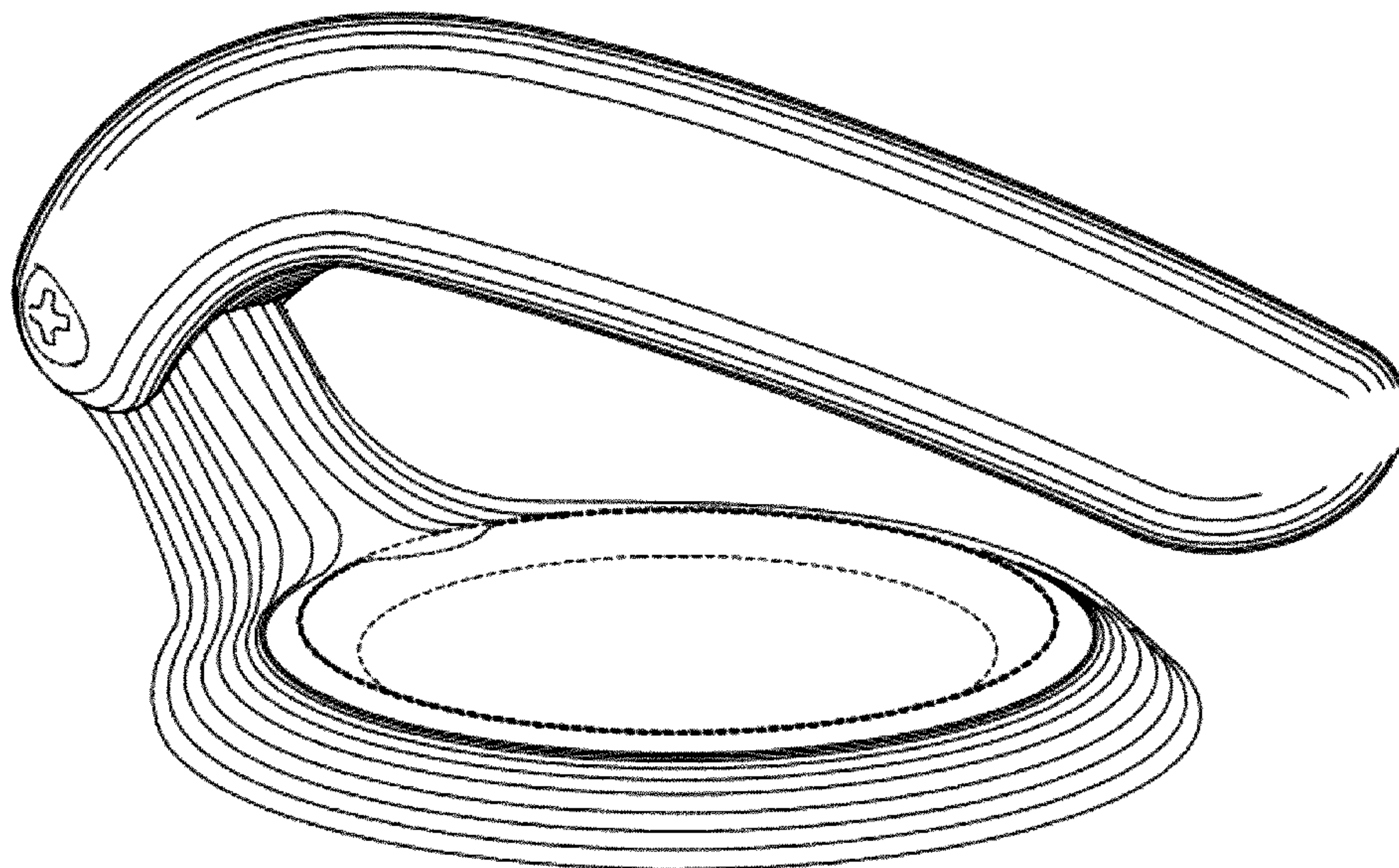
(57) **CLAIM**

The ornamental design for a tablet handle and stand, as shown and described.

**DESCRIPTION**

FIG. 1 is a perspective view of the tablet handle and stand according to our design;  
 FIG. 2 is a right side view of the tablet handle and stand;  
 FIG. 3 is a left side view of the tablet handle and stand;  
 FIG. 4 is a front view of the tablet handle and stand;  
 FIG. 5 is a rear view of the tablet handle and stand;  
 FIG. 6 is a top view of the tablet handle and stand;  
 FIG. 7 is a bottom view of the tablet handle and stand; and,  
 FIG. 8 is a right side view of the tablet handle and stand, showing an alternative orientation therefor.  
 The broken lines that are included in FIGS. 1-8 of the drawings denote aspects of the tablet handle and stand that form no part of the claimed design.

**1 Claim, 4 Drawing Sheets**



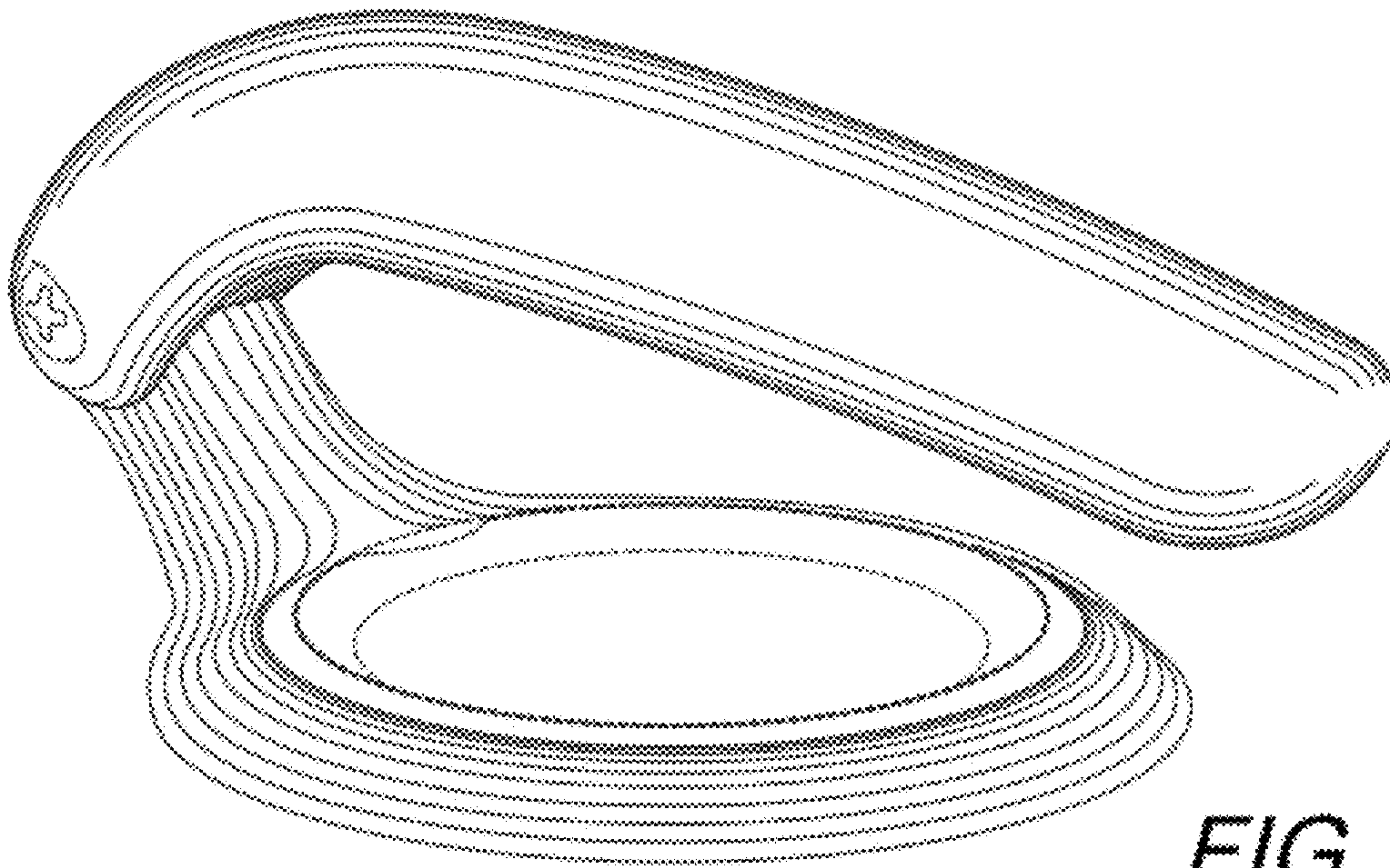


FIG. 1

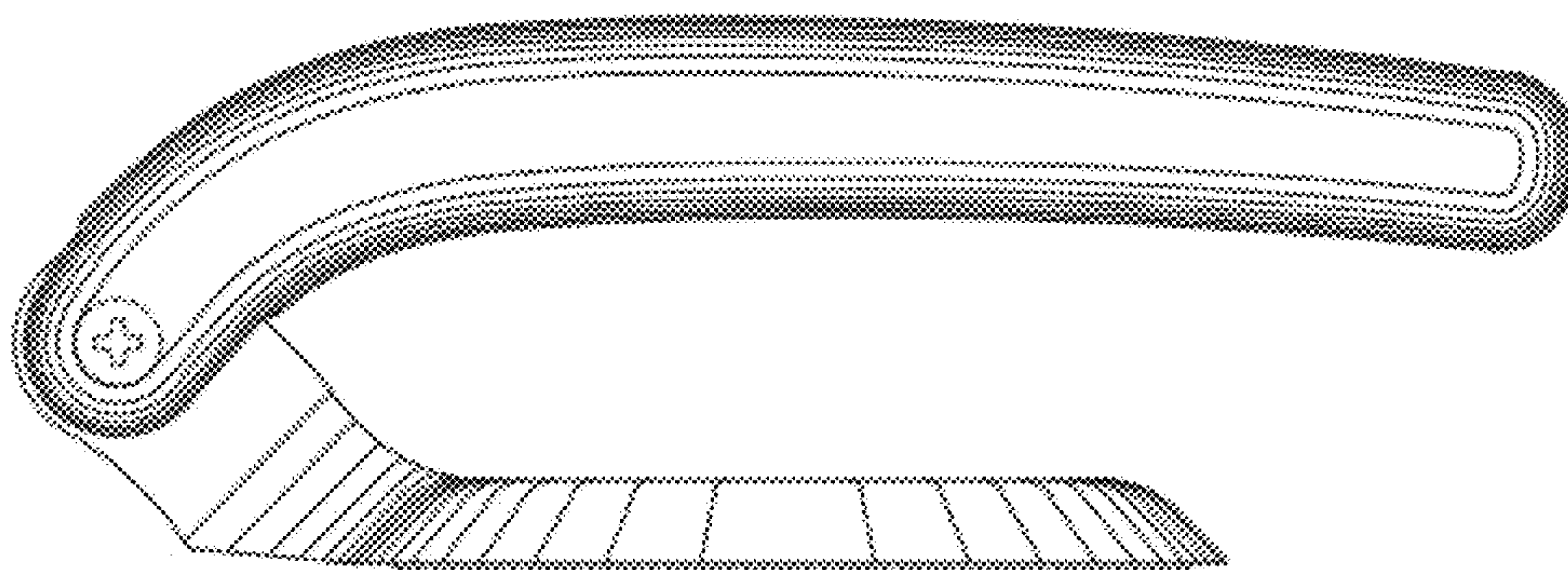
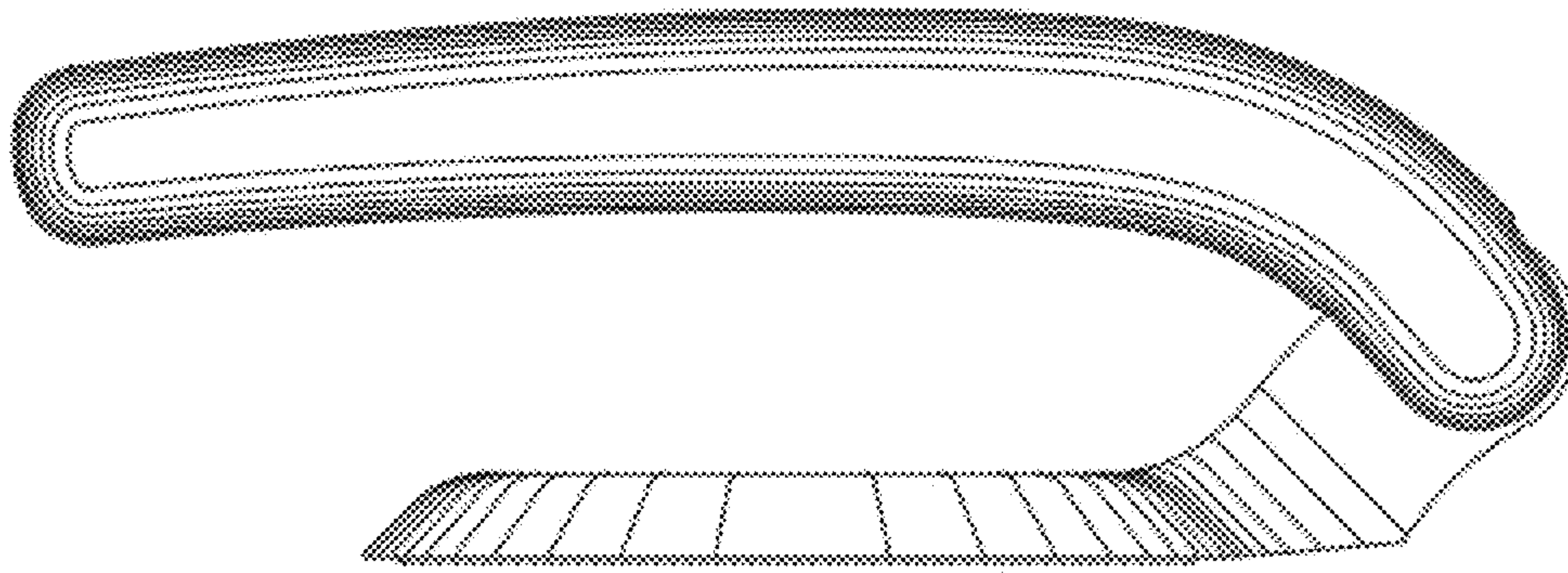
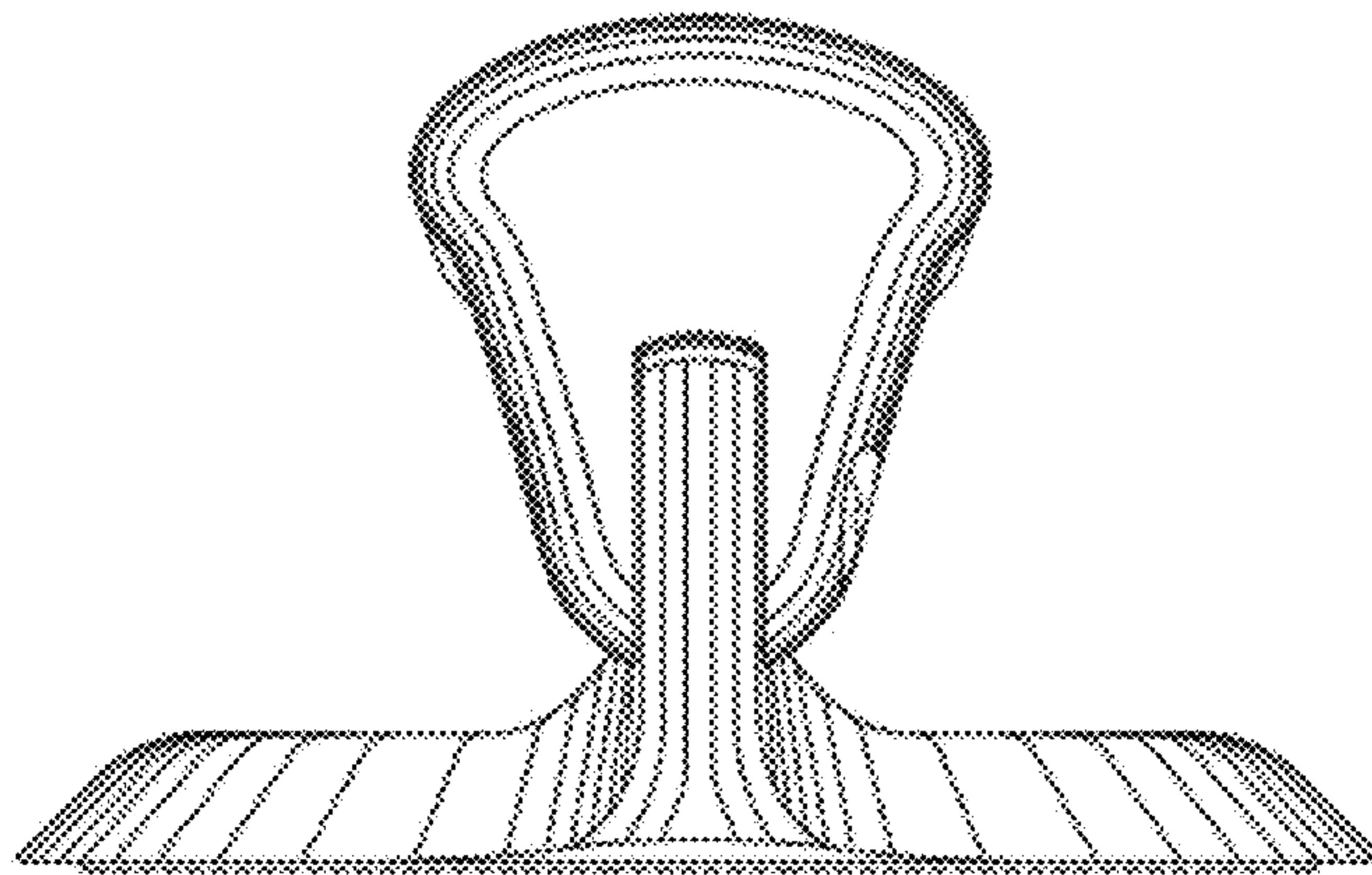


FIG. 2

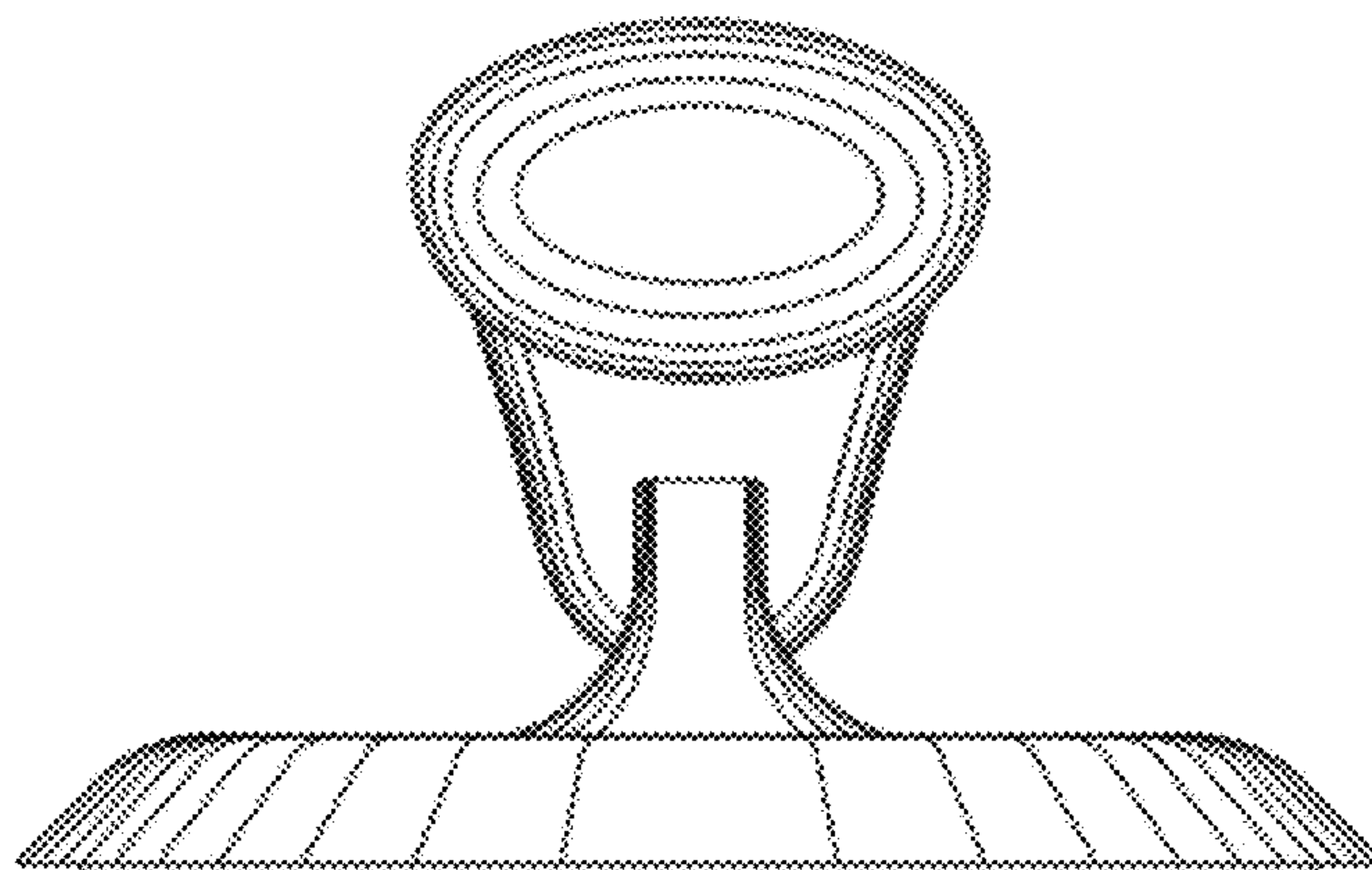




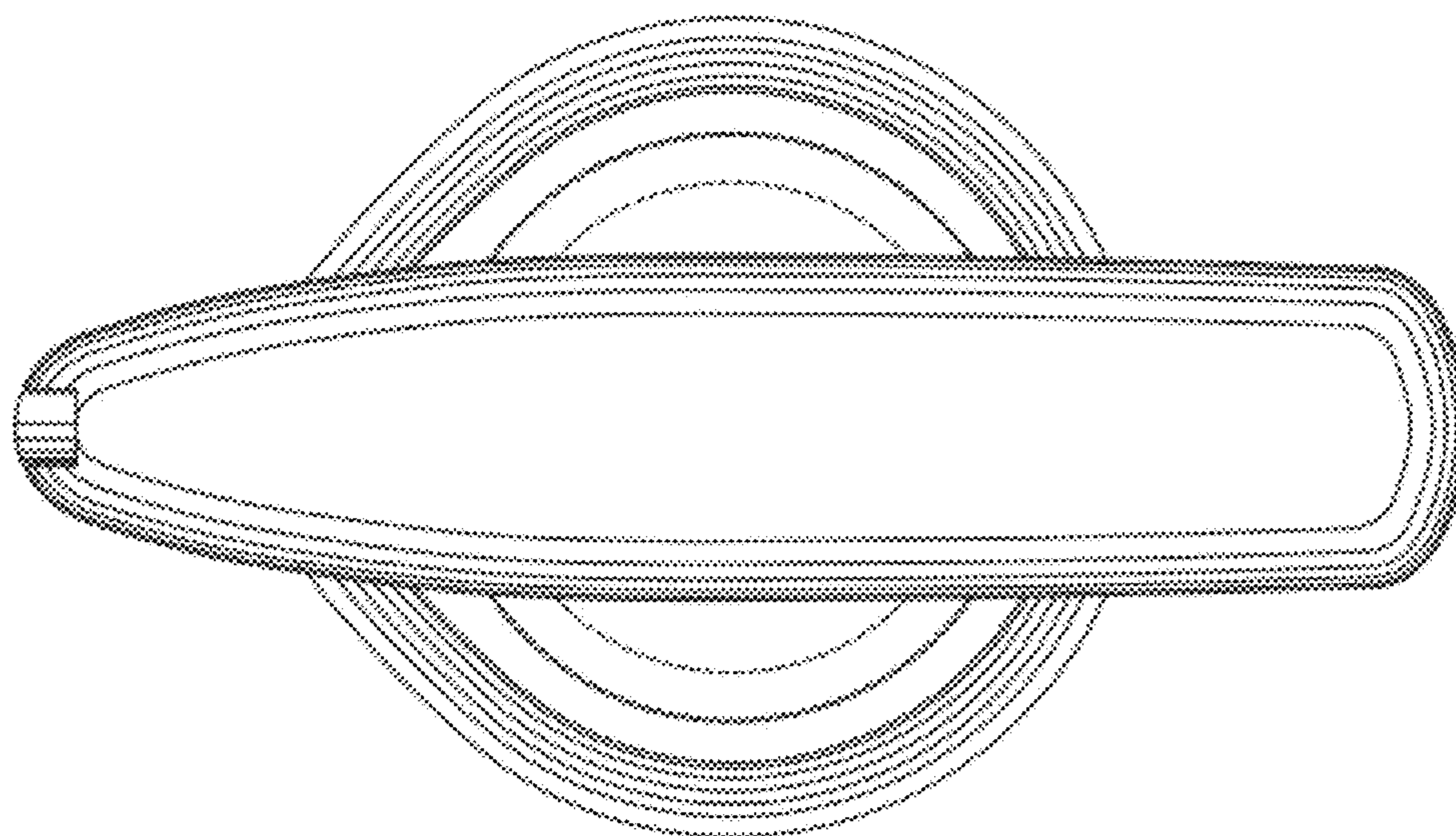
*FIG. 3*



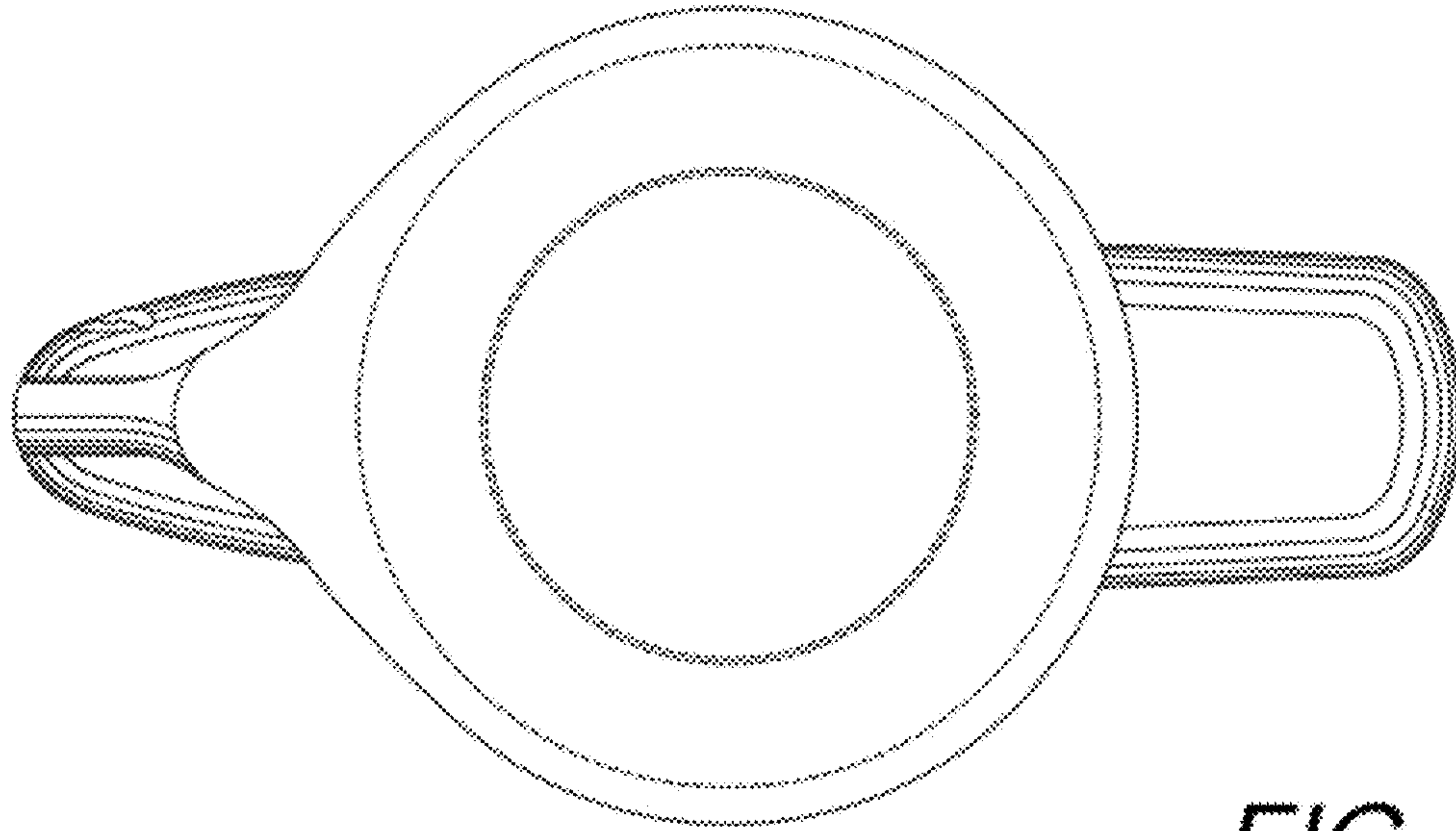
*FIG. 4*



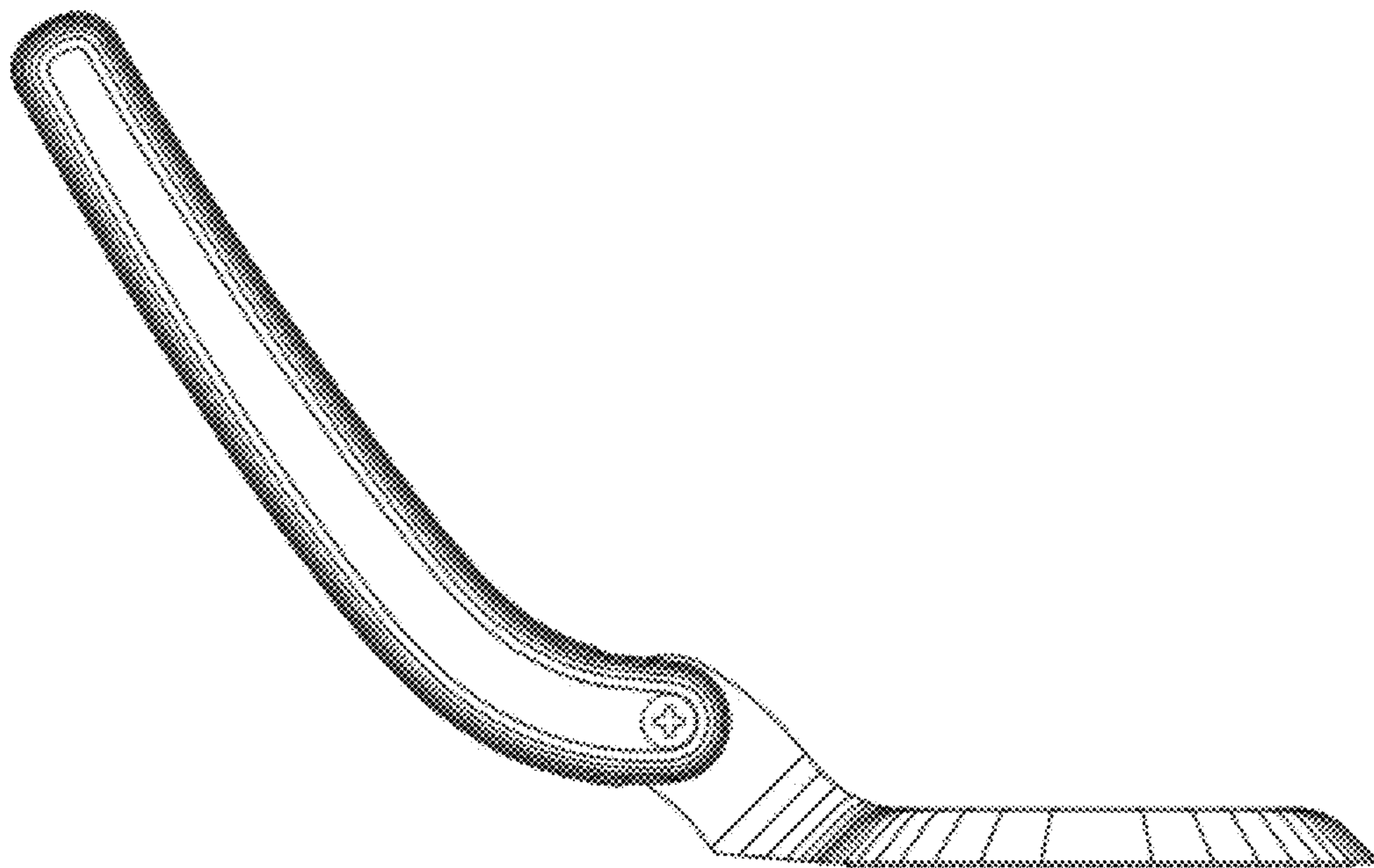
*FIG. 5*



*FIG. 6*



*FIG. 7*



*FIG. 8*