



US00D673572S

(12) **United States Design Patent**
Akana et al.

(10) **Patent No.:** **US D673,572 S**
(45) **Date of Patent:** **** Jan. 1, 2013**

(54) **STAND AND PORTABLE DISPLAY DEVICE**

(75) Inventors: **Jody Akana**, San Francisco, CA (US);
Bartley K. Andre, Menlo Park, CA (US);
Jeremy Bataillou, San Francisco, CA (US);
Daniel J. Coster, San Francisco, CA (US);
Daniele De Iuliis, San Francisco, CA (US);
Evans Hankey, San Francisco, CA (US);
Julian Hoenig, San Francisco, CA (US);
Richard P. Howarth, San Francisco, CA (US);
Jonathan P. Ive, San Francisco, CA (US);
Duncan Robert Kerr, San Francisco, CA (US);
Shin Nishibori, Kailua, HI (US);
Matthew Dean Rohrbach, San Francisco, CA (US);
Peter Russell-Clarke, San Francisco, CA (US);
Christopher J. Stringer, Woodside, CA (US);
Eugene Antony Whang, San Francisco, CA (US);
Rico Zorkendorfer, San Francisco, CA (US)

361/679.6; 248/917-924, 136, 150, 152, 248/153, 371, 166, 176.1, 176.3, 188.6, 248/676, 678, 441.1, 444.1, 447, 447.1, 447.2, 248/451, 454, 455, 456, 460, 463, 465.1
See application file for complete search history.

(73) Assignee: **Apple Inc.**, Cupertino, CA (US)

(**) Term: **14 Years**

(21) Appl. No.: **29/392,465**

(22) Filed: **May 20, 2011**

Related U.S. Application Data

(63) Continuation-in-part of application No. 29/391,723, filed on May 12, 2011.

(51) **LOC (9) Cl.** **08-07**

(52) **U.S. Cl.** **D14/447**

(58) **Field of Classification Search** D14/447,
D14/432, 434, 433, 439, 440, 448, 451, 452,
D14/457, 460, 217, 239, 238.1, 250, 251,
D14/253, 203.8, 341; D13/107, 108; D3/218;
D6/406.1, 406.3, 406.4, 406.5, 406.6, 419,
D6/420, 429, 396, 449, 466, 467, 471; 361/679.02,
361/679.09, 679.19, 679.21, 679.22, 679.23,
361/679.26, 679.27, 679.3, 679.55, 679.56,

(56) **References Cited**

U.S. PATENT DOCUMENTS

D339,537 S 9/1993 Willnauer et al.
(Continued)

OTHER PUBLICATIONS

U.S. Appl. No. 29/382,846, Akana et al., "Portable Display Device", filed Jan. 7, 2011.

Primary Examiner — Angela J Lee

(74) *Attorney, Agent, or Firm* — Sterne, Kessler, Goldstein & Fox P.L.L.C.

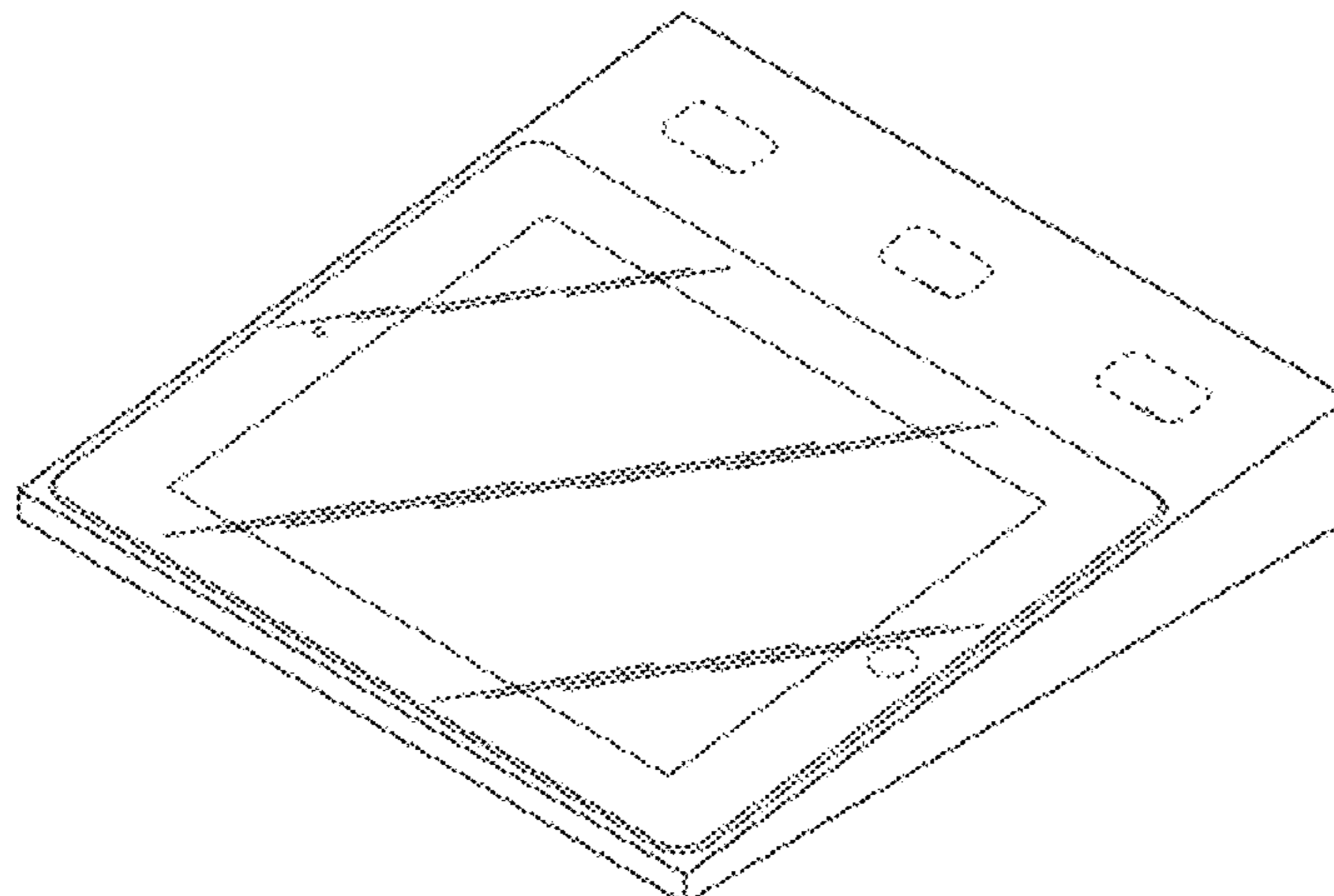
(57) **CLAIM**

The ornamental design for a stand and portable display device, as shown and described.

DESCRIPTION

FIG. 1 is a front perspective view of a stand and portable display device showing our new design; FIG. 2 is a top plan view thereof; FIG. 3 is a bottom plan view thereof; FIG. 4 is a front view thereof; FIG. 5 is a rear view thereof; FIG. 6 is a side profile view thereof taken along the vertical center of FIG. 2; and, FIG. 7 is a side view thereof, the other side view being a mirror image thereof. The shade lines in the Figures show transparency and not surface ornamentation. The broken lines in the Figures show portions of the stand and portable display device which form no part of the claimed design.

1 Claim, 5 Drawing Sheets



US D673,572 S

Page 2

U.S. PATENT DOCUMENTS

5,280,229	A	1/1994	Faude et al.				
D392,958	S	* 3/1998	Gaete	D8/71			
D414,166	S	* 9/1999	De Paris	D14/447			
D442,939	S	5/2001	Goldenburg				
D450,707	S	11/2001	Francavilla et al.				
D483,771	S	12/2003	Esswein				
D488,440	S	4/2004	Senda				
D527,018	S	* 8/2006	Christianson	D14/203.8			
D555,655	S	* 11/2007	Iu	D14/447			
D583,821	S	* 12/2008	Richter	D14/447			
D587,703	S	* 3/2009	Yoon	D14/341			
D596,618	S	* 7/2009	Zha	D14/209.1			
D599,792	S	9/2009	Lin				
D618,614	S	* 6/2010	Symons	D13/108			
D623,188	S	9/2010	Son et al.				
D627,777	S	* 11/2010	Akana et al.	D14/341			
D637,596	S	5/2011	Akana et al.				
D637,601	S	* 5/2011	Symons	D14/447			
D639,267	S	* 6/2011	Delorenzo et al.	D14/142			
D642,121	S	7/2011	Lee et al.				
D642,172	S	7/2011	Akana et al.				
D643,433	S	* 8/2011	Hsieh et al.	D14/440			
D662,100	S	* 6/2012	Van Den Nieuwenhuizen et al.	D14/440			

* cited by examiner

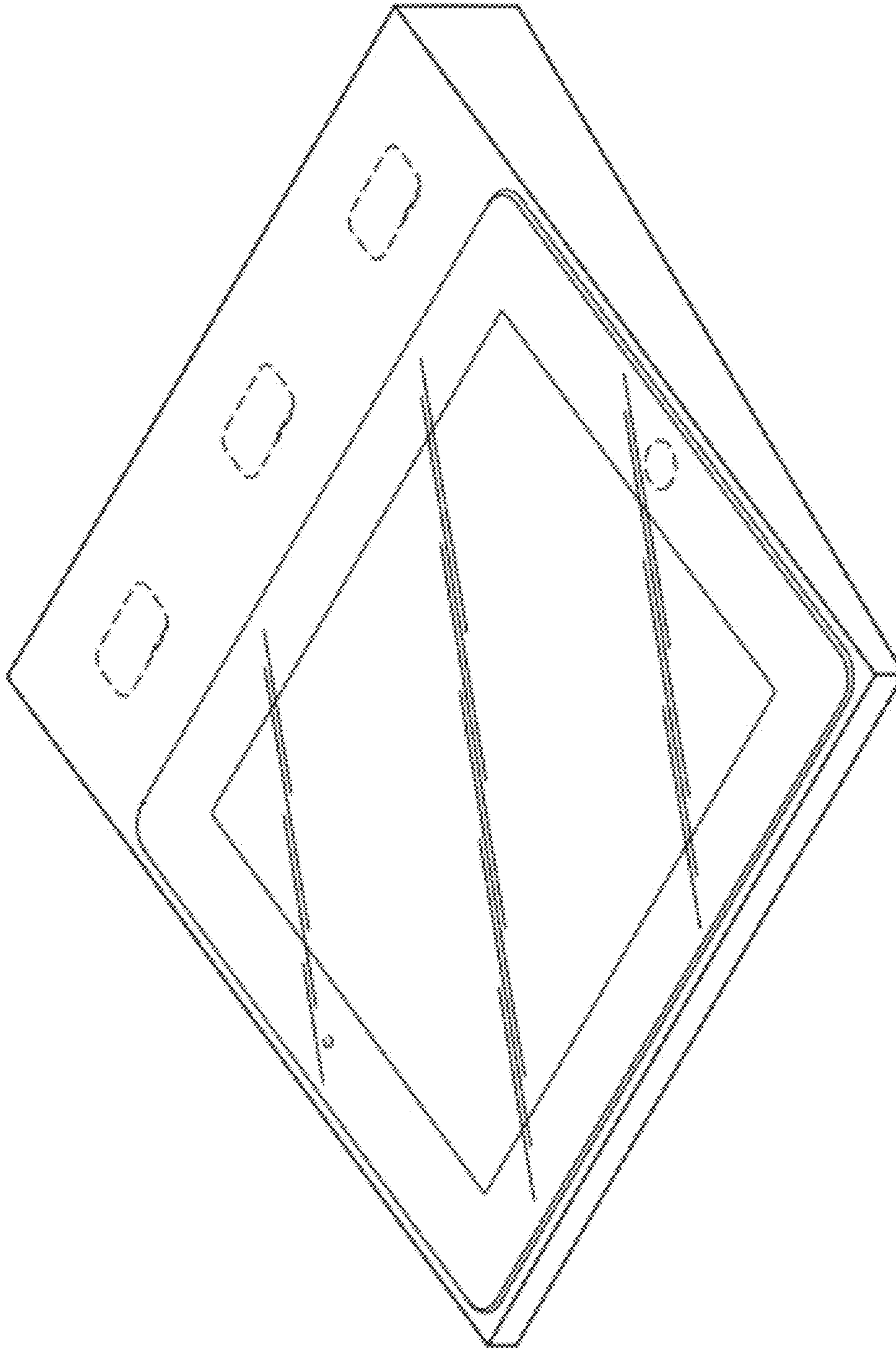


FIG. 1

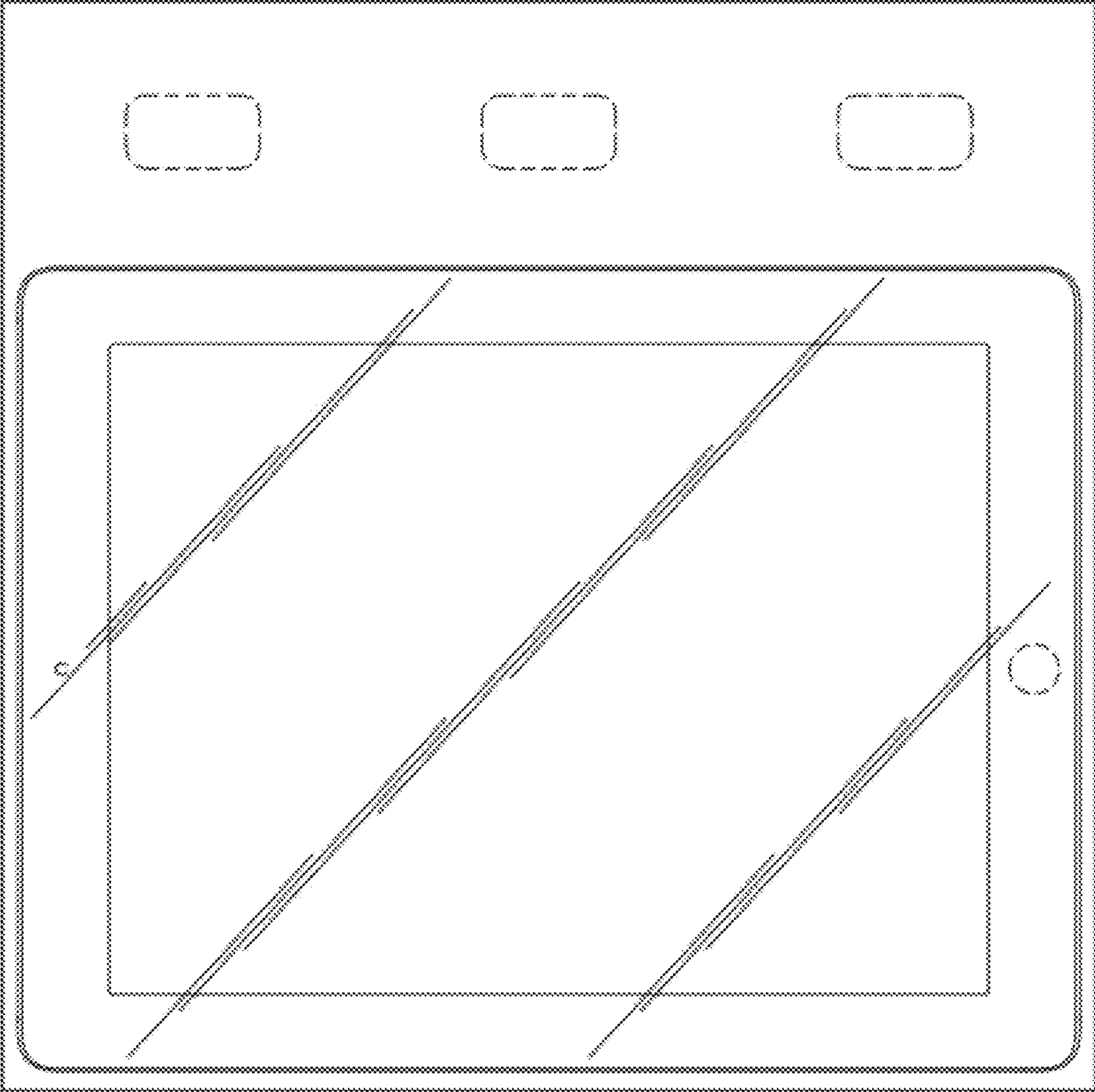


FIG. 2

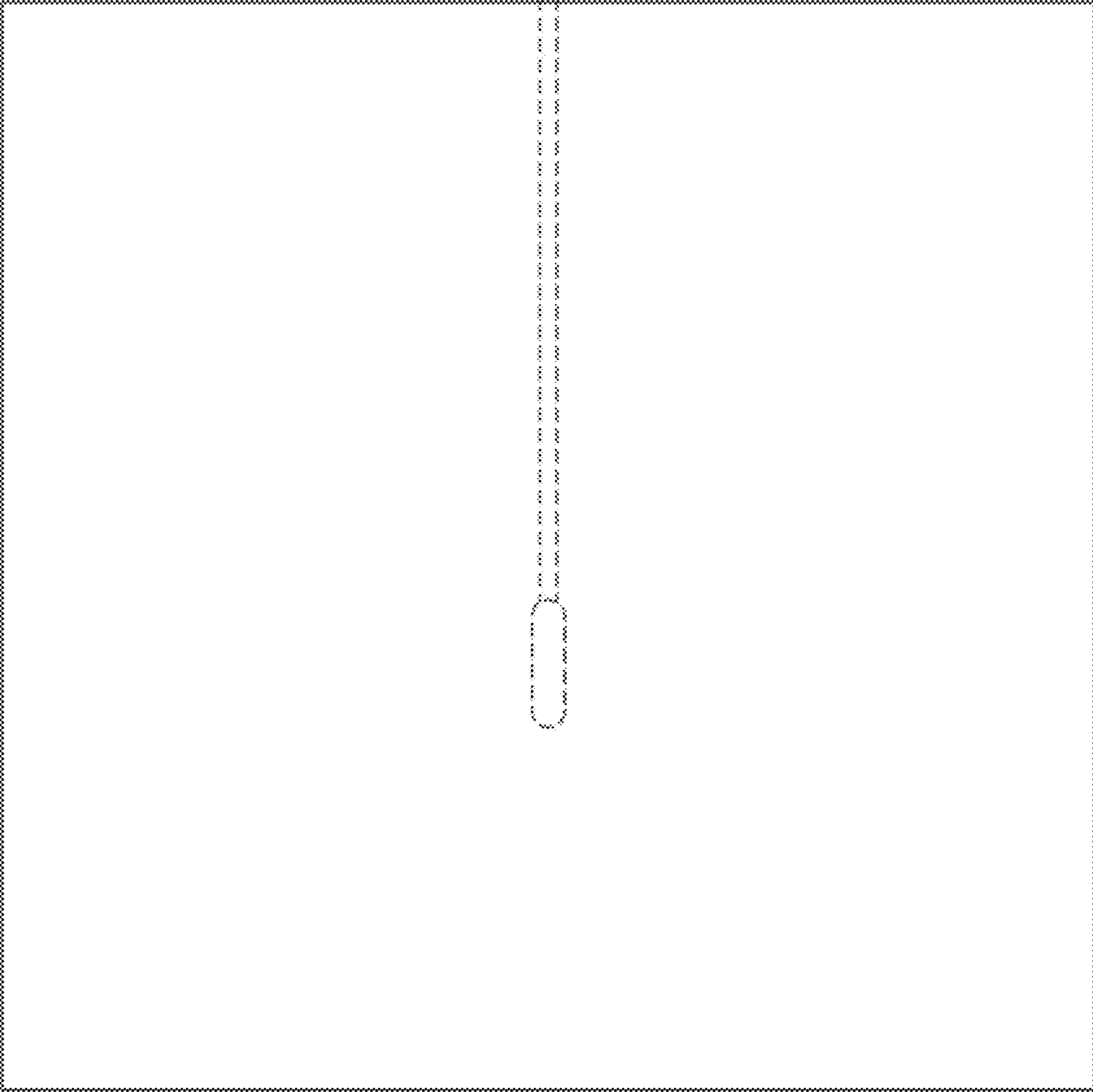


FIG. 3

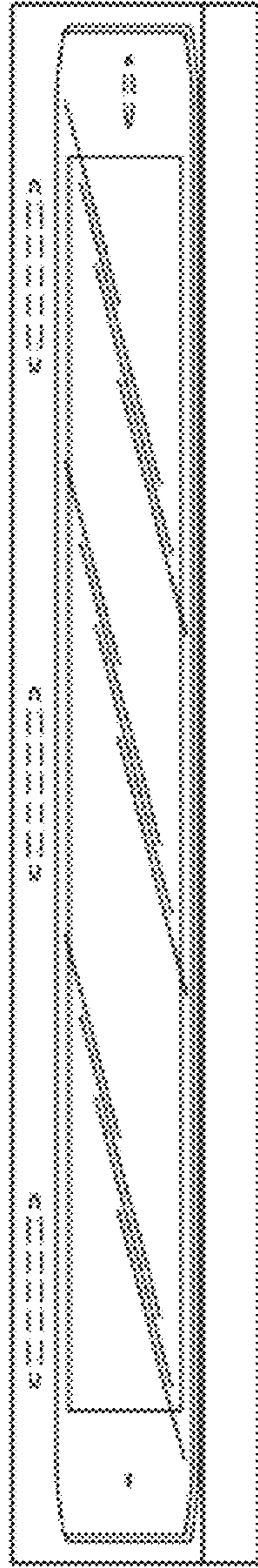


FIG. 4

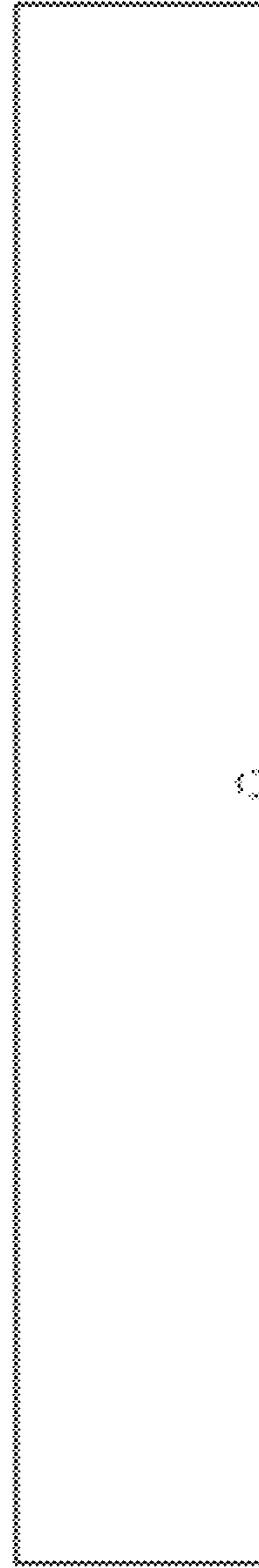


FIG. 5

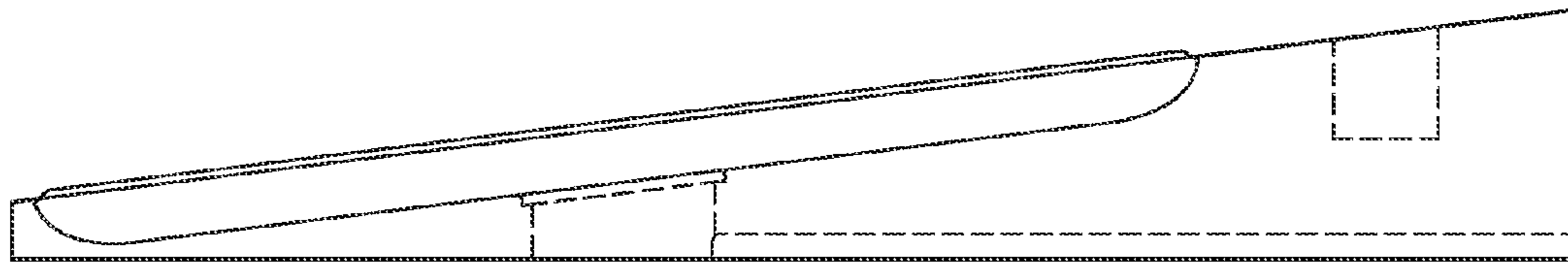


FIG. 6



FIG. 7