



US00D673568S

(12) **United States Design Patent**
Yang

(10) **Patent No.:** **US D673,568 S**

(45) **Date of Patent:** **** Jan. 1, 2013**

(54) **DOCKING STATION**

(75) Inventor: **Chu-Fang Yang, Sin Ying (TW)**

(73) Assignee: **Hannspree, Inc., New Taipei (TW)**

(**) Term: **14 Years**

(21) Appl. No.: **29/410,650**

(22) Filed: **Jan. 10, 2012**

(51) **LOC (9) Cl.** **14-02**

(52) **U.S. Cl.** **D14/434**

(58) **Field of Classification Search** D14/432-434,
D14/314, 204, 420, 421, 447, 217, 358, 138 R,
D14/140, 142; D13/107, 108, 146; D8/373;
248/346.03, 176.1; 361/679.41, 679.31,
361/679.32, 679.4, 679.43, 679.55, 679.58,
361/679.33; 320/109, 112-115; 710/15,
710/303; 455/557; 439/347, 534

See application file for complete search history.

(56) **References Cited**

U.S. PATENT DOCUMENTS

D496,042 S * 9/2004 Borsboom D14/371
D626,959 S * 11/2010 Chiu D14/371

D643,430 S * 8/2011 Nuovo et al. D14/434
D644,645 S * 9/2011 Huang et al. D14/434

* cited by examiner

Primary Examiner — Freda S Nunn

(74) *Attorney, Agent, or Firm* — Schmeiser, Osen & Watts
LLP

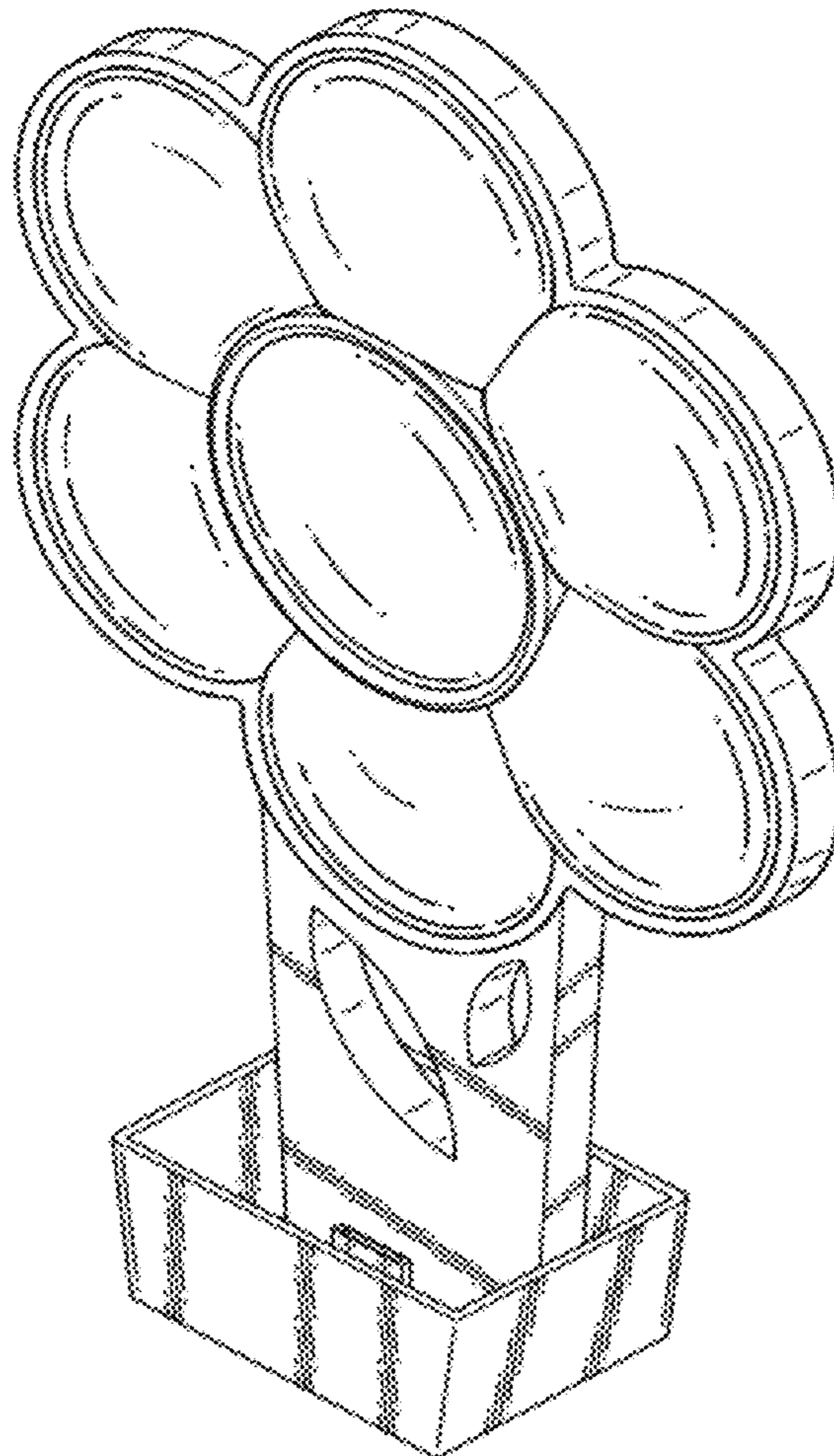
(57) **CLAIM**

The ornamental design for a docking station, as shown and
described.

DESCRIPTION

FIG. 1 is a front perspective view of docking station showing
our new design;
FIG. 2 is a front elevational view thereof;
FIG. 3 is a rear elevational view thereof;
FIG. 4 is a left side elevational view thereof;
FIG. 5 is a right side elevational view thereof;
FIG. 6 is a top plan view thereof; and,
FIG. 7 is a bottom plan view thereof.

1 Claim, 7 Drawing Sheets



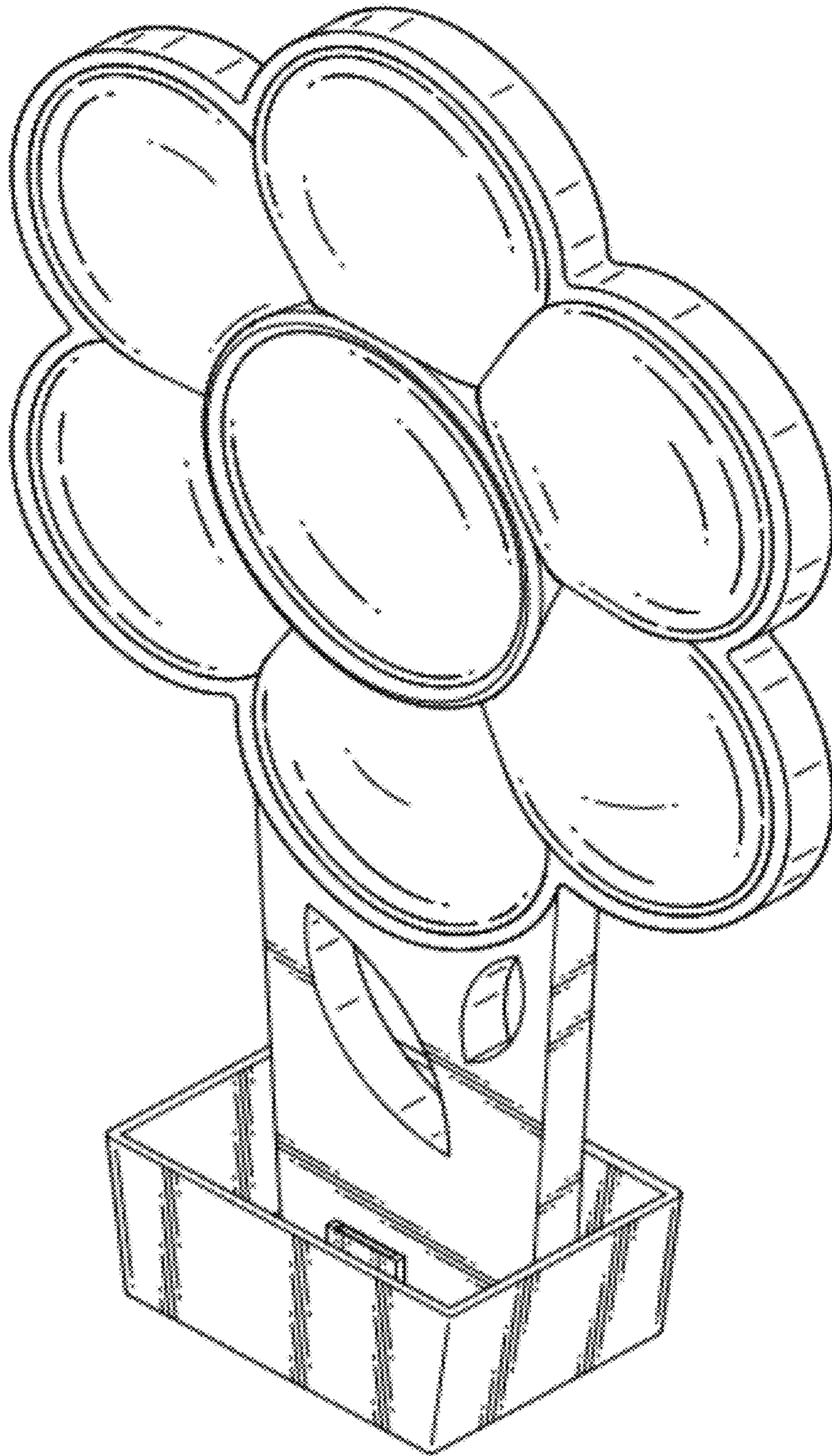


FIG. 1

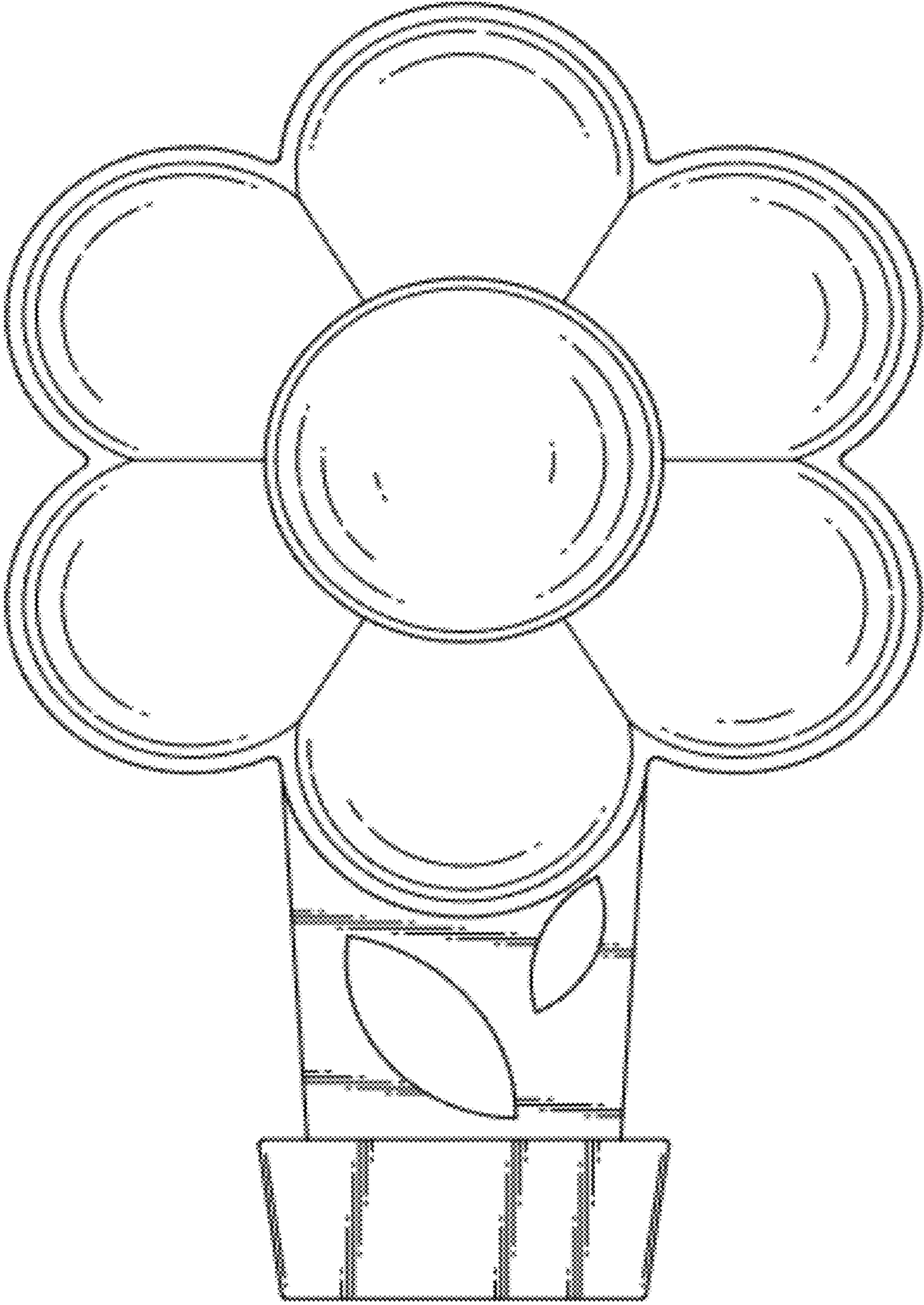


FIG.2

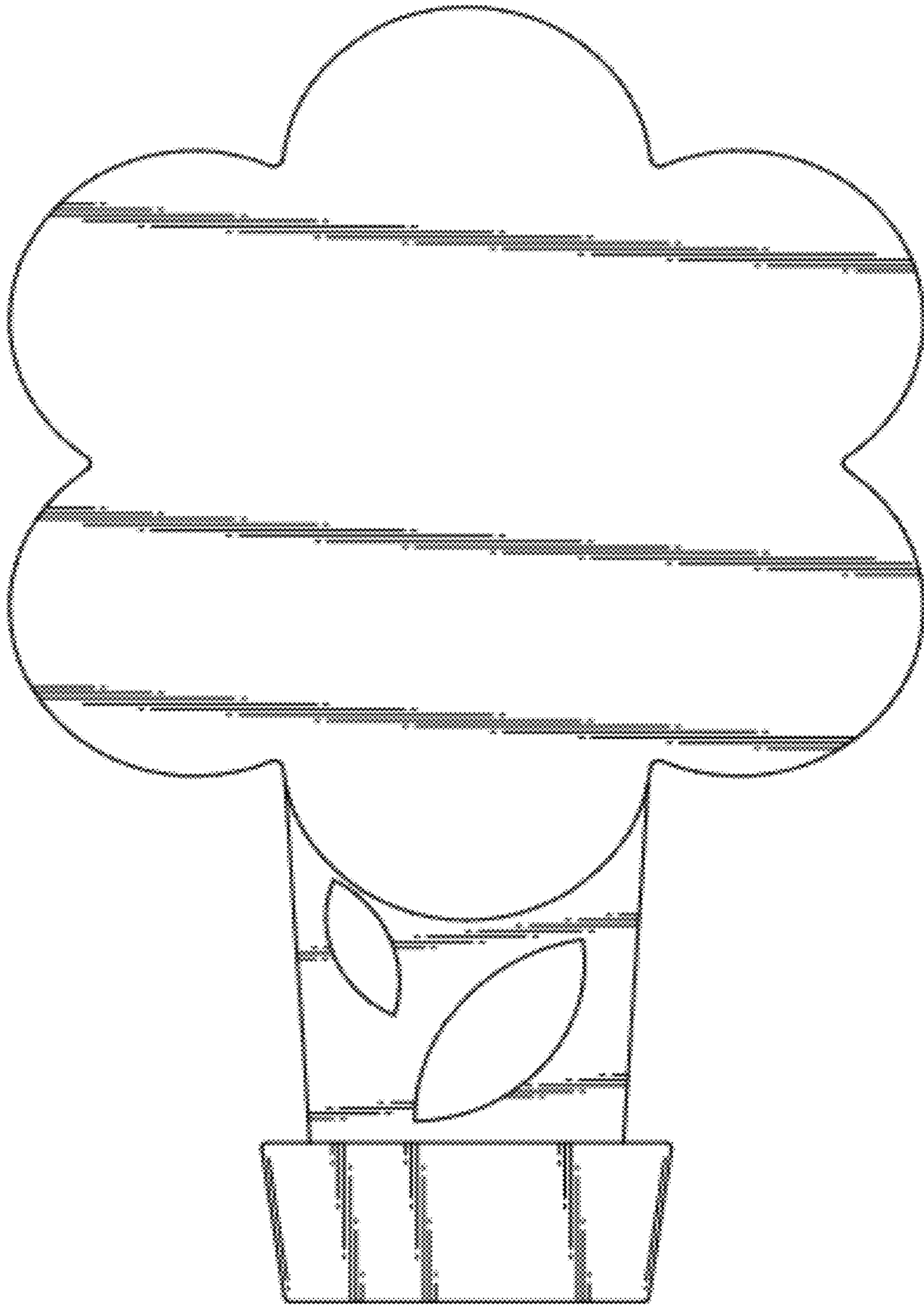


FIG.3

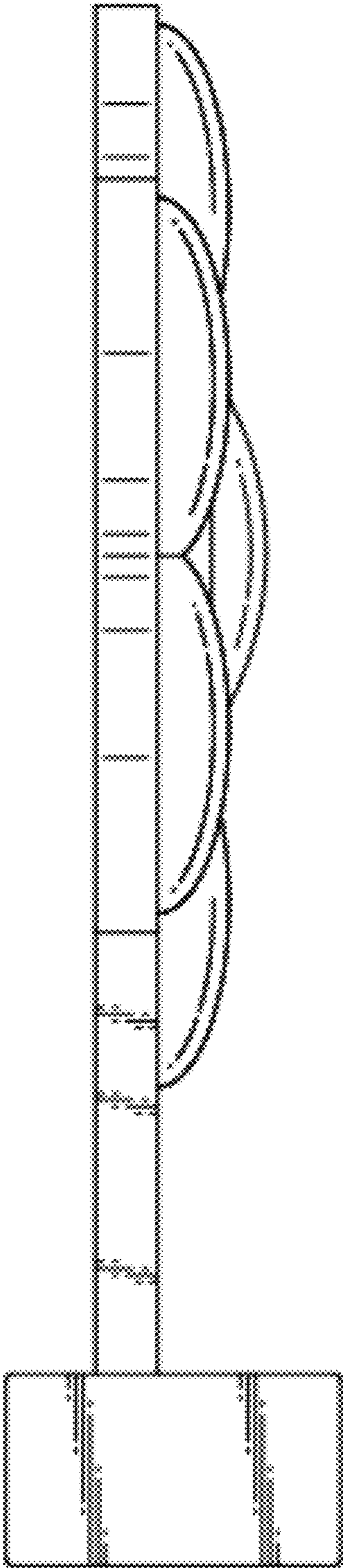


FIG.4

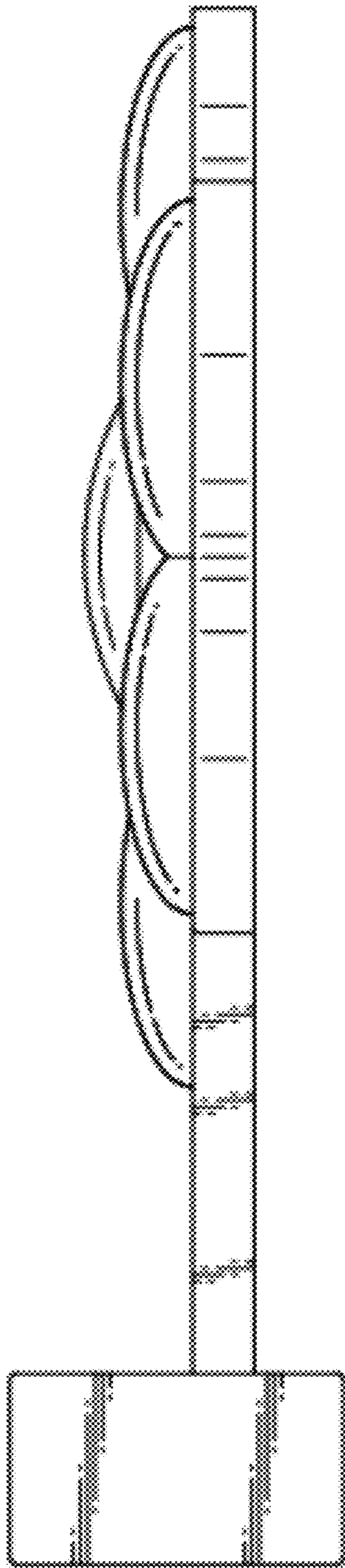


FIG. 5

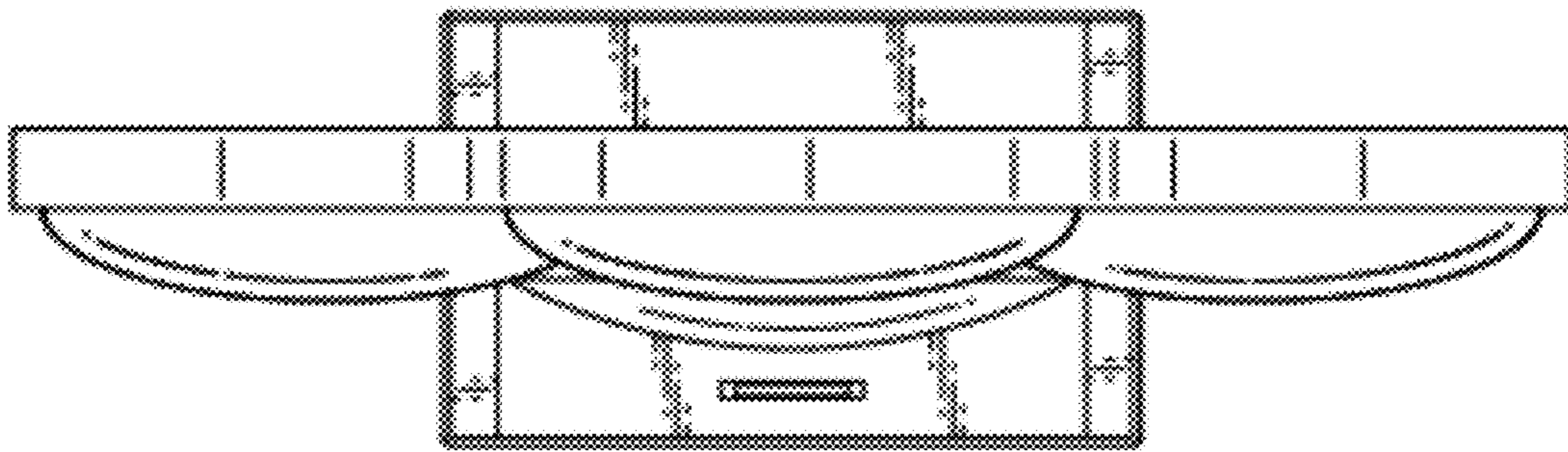


FIG. 6

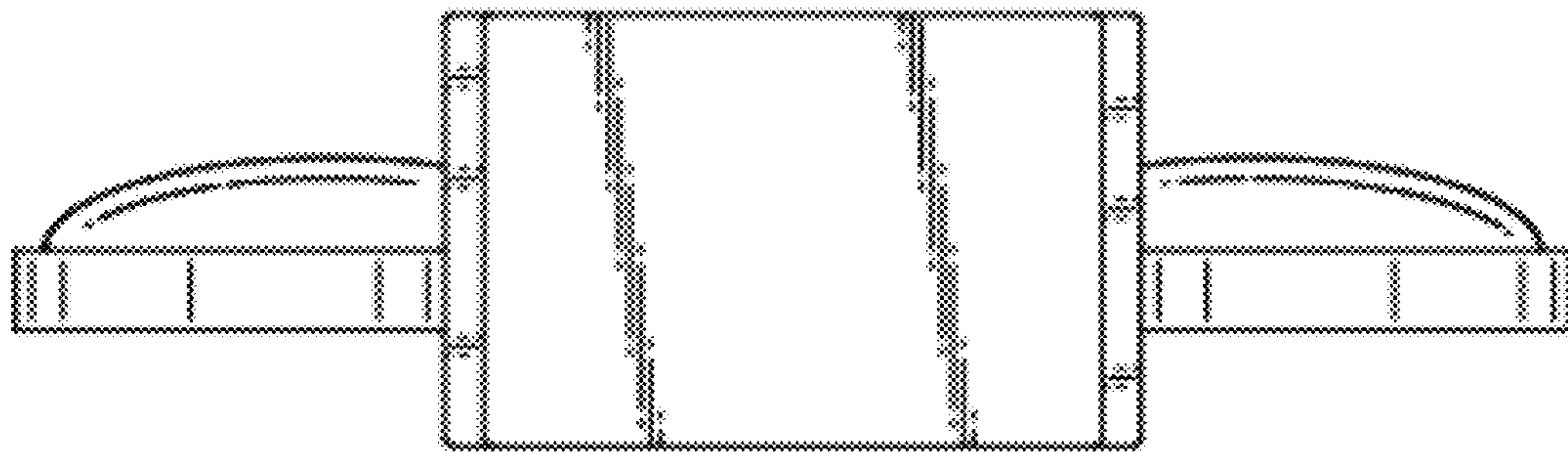


FIG. 7