



US00D673564S

(12) **United States Design Patent**
Milliff

(10) **Patent No.:** **US D673,564 S**
(45) **Date of Patent:** **** Jan. 1, 2013**

(54) **DOWNLOADER**

(75) Inventor: **Brian T. Milliff**, Cleveland, OH (US)

(73) Assignee: **TimeKeeping Systems, Inc.**, Solon, OH (US)

(**) Term: **14 Years**

(21) Appl. No.: **29/316,074**

(22) Filed: **Aug. 21, 2009**

(51) **LOC (9) Cl.** **14-02**

(52) **U.S. Cl.** **D14/358**

(58) **Field of Classification Search** D14/125,
D14/137, 167, 168, 230, 231, 233, 235, 237,
D14/240–242, 299, 432, 435, 436, 155, 496,
D14/300–302, 313, 314, 214, 348–363, 365–370;
D18/56; D10/65, 75, 78; D13/149, 162,
D13/184, 199; D3/201, 273; 361/679.31–679.45;
702/187; 235/385

See application file for complete search history.

(56) **References Cited**

U.S. PATENT DOCUMENTS

D190,494 S *	6/1961	Best et al.	D14/155
D232,845 S *	9/1974	Wilkes	D14/214
D259,721 S *	6/1981	Pusl	D13/171
D264,460 S *	5/1982	Moller	D13/184
D340,230 S *	10/1993	Sforni	D14/314
D368,097 S *	3/1996	Heberling et al.	D14/242
D383,736 S *	9/1997	Corrington et al.	D14/367
D426,237 S *	6/2000	Wranne	D14/385
D427,593 S *	7/2000	Washington	D14/338
D448,025 S *	9/2001	Stout et al.	D14/353
D448,353 S *	9/2001	Chang	D14/125
D463,417 S *	9/2002	Chan et al.	D14/242
D485,563 S *	1/2004	Wei	D14/496
D502,947 S *	3/2005	Zhang et al.	D14/385
7,027,955 B2 *	4/2006	Markwitz et al.	702/187
7,111,781 B2 *	9/2006	Fletcher	235/385
D530,325 S *	10/2006	Kerila et al.	D14/356
7,251,131 B2 *	7/2007	Shah et al.	361/679.33
D566,116 S *	4/2008	Hu	D14/368

7,359,190 B2 *	4/2008	Szolyga	361/679.41
D582,410 S *	12/2008	Tsuboi	D14/356
D590,827 S *	4/2009	Song	D14/356
D615,975 S *	5/2010	Lin	D14/356
2003/0040888 A1 *	2/2003	Markwitz et al.	702/187

(Continued)

OTHER PUBLICATIONS

DataStor Technology Co. Ltd @ Global Sources Online—Supplier Homepage, [online], [retrieved on Nov. 14, 2006]. Retrieved from the Internet <URL: http://datastor.manufacturer.globalsources.com/si/6008800307...Compact-Case-for/product_id-1002430329/action-GetProduct.htm>.*

(Continued)

Primary Examiner — Karen E Kearney

(74) *Attorney, Agent, or Firm* — James A. Hudak

(57) **CLAIM**

The ornamental design for a downloader, as shown and described.

DESCRIPTION

FIG. 1 is a perspective view of the downloader, showing my new design;

FIG. 2 is a front elevational view thereof;

FIG. 3 is a rear elevational view thereof;

FIG. 4 is a right side elevational view thereof, the left side elevational view being a mirror image of same;

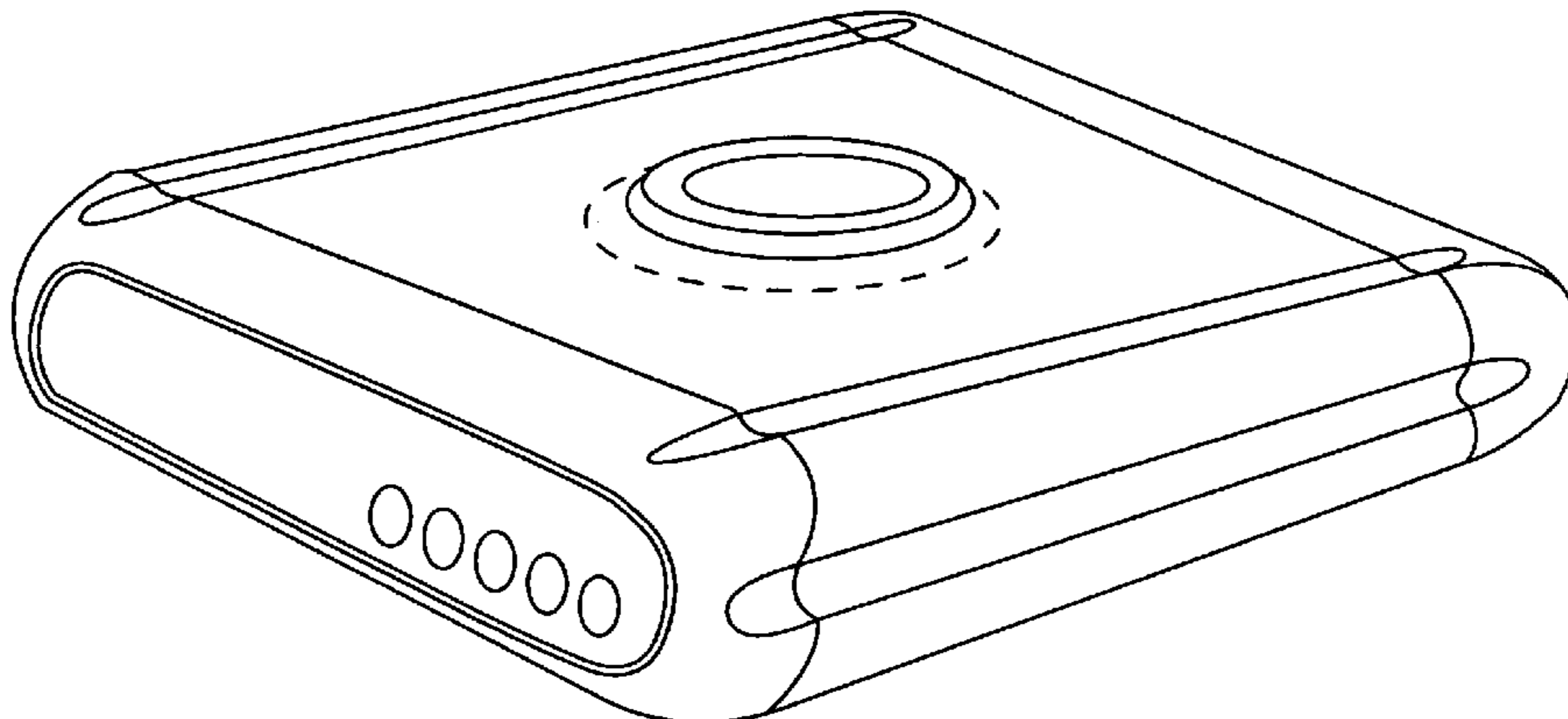
FIG. 5 is a top plan view thereof;

FIG. 6 is a bottom plan view thereof; and,

FIG. 7 is a perspective view of the downloader including a data containing device (shown as a broken line) inserted therein.

The broken line illustration of the data containing device shown in FIG. 7 and the broken line illustration of the portions shown in FIGS. 1, 5, and 7 are for the purpose of illustrating environmental structure and form no part of the claimed design.

1 Claim, 7 Drawing Sheets



US D673,564 S

Page 2

U.S. PATENT DOCUMENTS

2007/0083445 A1* 4/2007 Garcia et al. 705/32
2008/0061145 A1* 3/2008 McGushion 235/462.13

OTHER PUBLICATIONS

DM220-C24, Portable Combo Digital Photos Backup/Sharing
Device manufa...le Combo Digital Photos Backup/Sharing Device

manufacturer & supplier, [online], [retrieved on Oct. 29, 2007].
Retrieved from the Internet <URL: <http://www.ezpng.com/detail/72103/72103.html>>.*

The IP Downloader, [online], [retrieved on Jun. 22, 2010]. Retrieved
from the Internet <URL: <http://www.guard1.com/Hardware/IP-Downloader.aspx>>.*

* cited by examiner

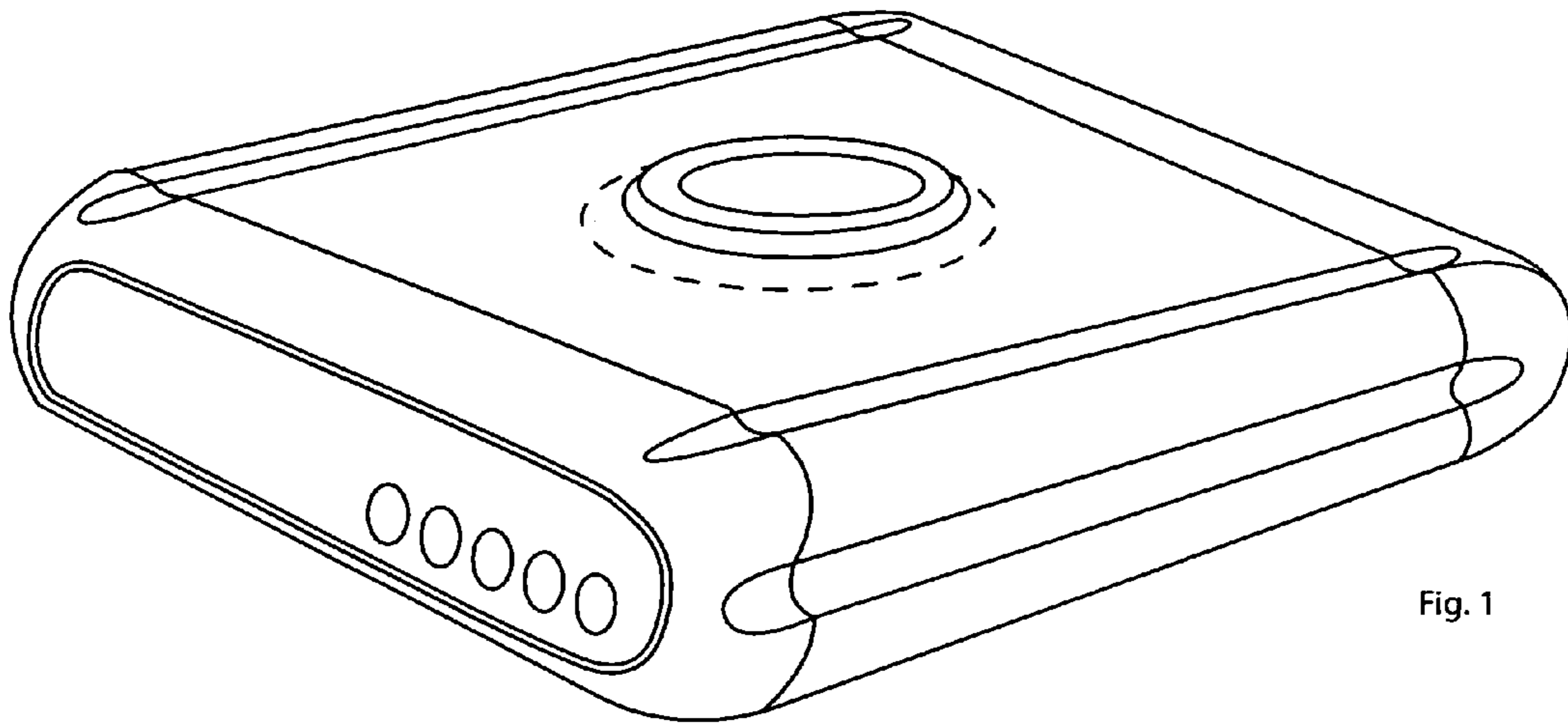


Fig. 1

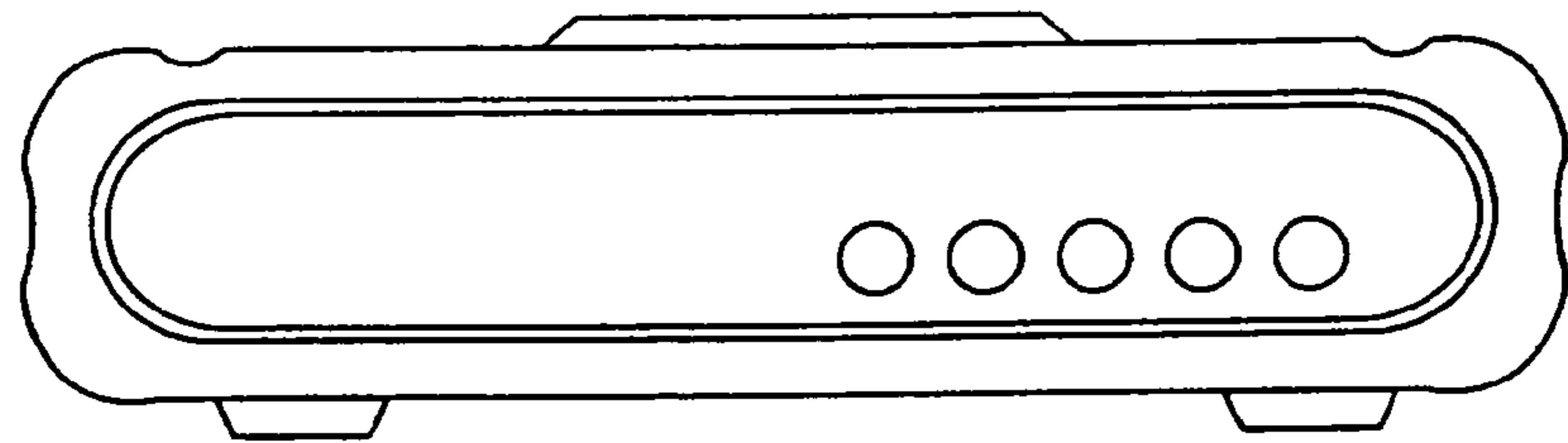


Fig. 2

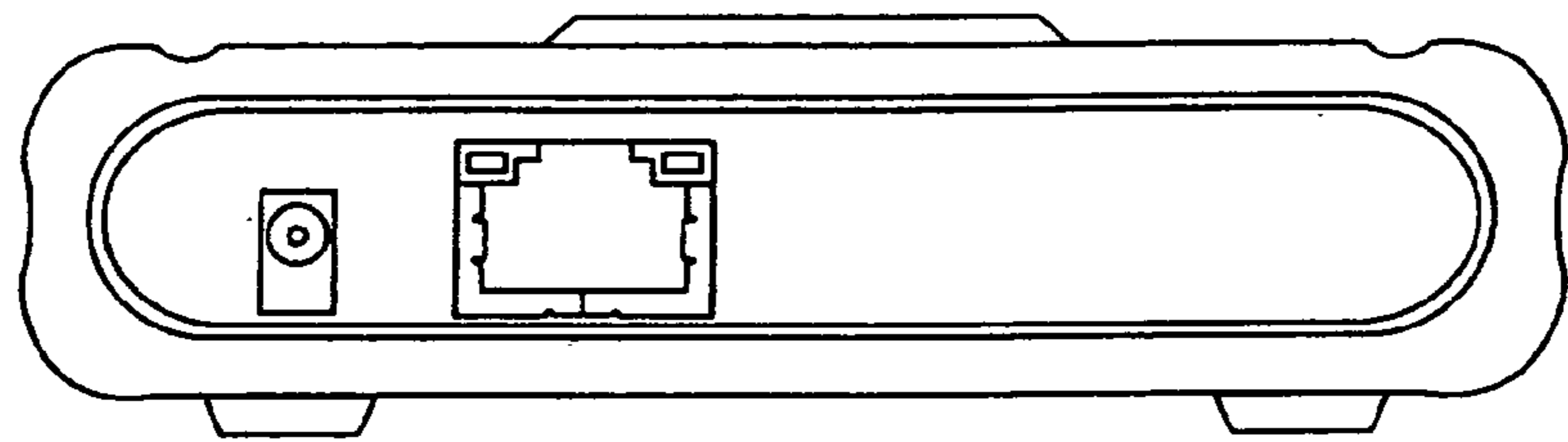


Fig. 3

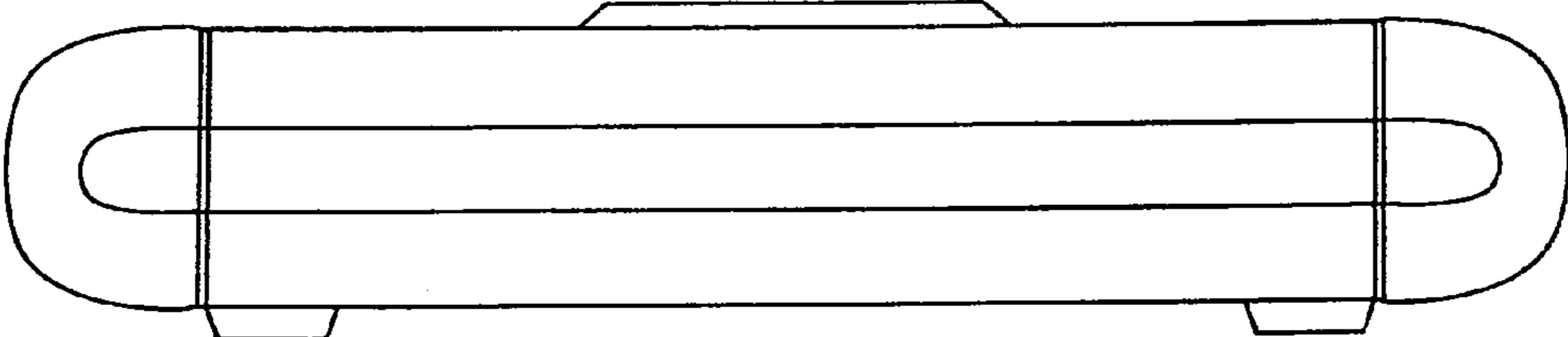


Fig. 4

Fig. 5

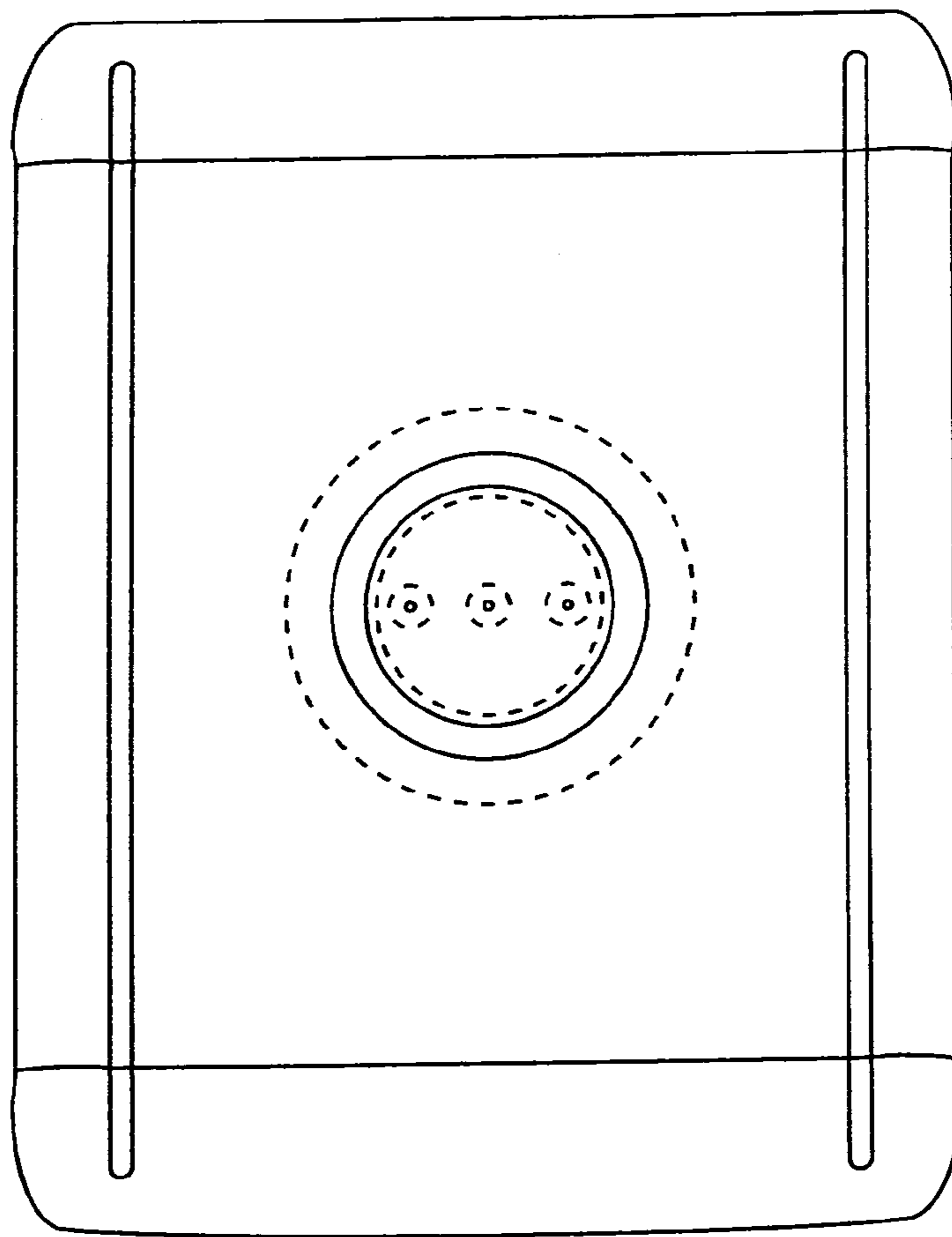
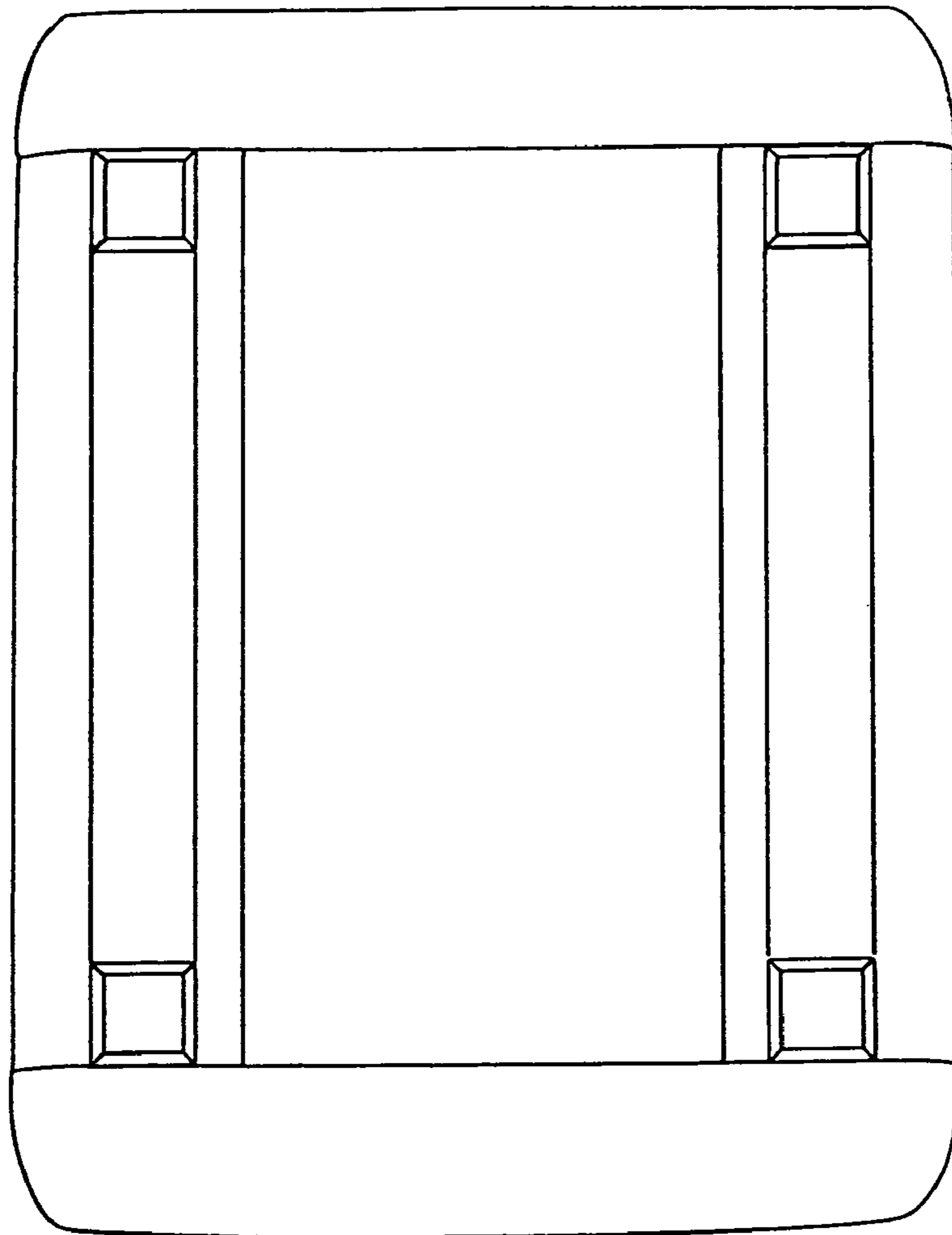


Fig. 6



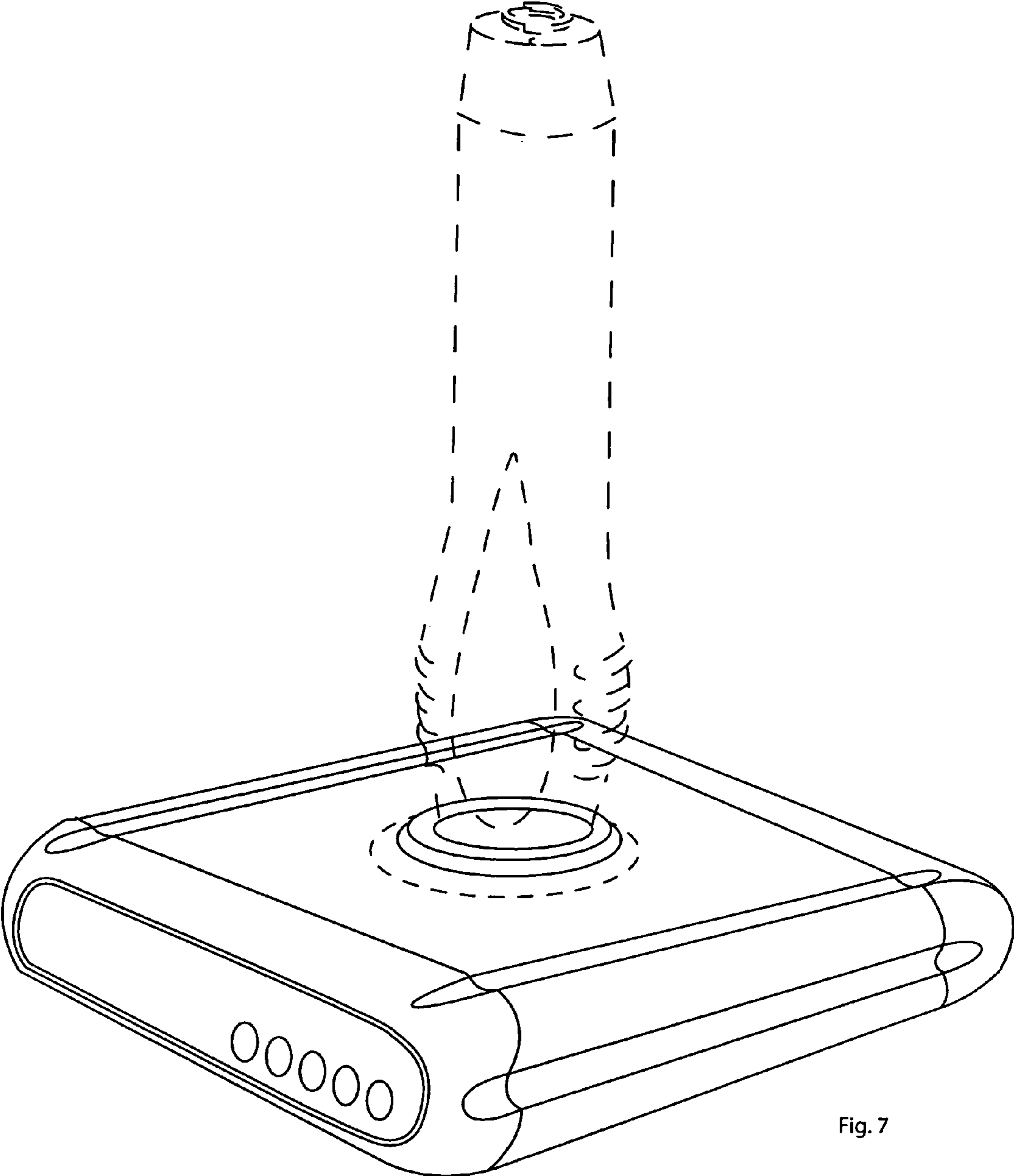


Fig. 7