



US00D673559S

(12) **United States Design Patent**  
**Yang et al.**

(10) **Patent No.:** **US D673,559 S**  
(45) **Date of Patent:** **\*\* Jan. 1, 2013**

(54) **NOTEBOOK COMPUTER**

(75) Inventors: **Tsun-Chih Yang**, New Taipei (TW);  
**Hao-Sheng Lo**, New Taipei (TW)

(73) Assignee: **Acer Incorporated**, New Taipei (TW)

(\*\*) Term: **14 Years**

(21) Appl. No.: **29/410,244**

(22) Filed: **Jan. 5, 2012**

(30) **Foreign Application Priority Data**

Nov. 11, 2011 (TW) ..... 100306106

(51) **LOC (9) Cl.** ..... **14-02**

(52) **U.S. Cl.** ..... **D14/318**

(58) **Field of Classification Search** ..... D14/315-327;  
D18/1, 2, 7, 11; 235/145 A, 145 R; 341/22,  
341/23; 345/104, 156, 168, 169, 173; 361/679.2,  
361/679.08, 679.09, 679.11, 679.12, 679.17,  
361/679.26, 679.27

See application file for complete search history.

(56) **References Cited**

**U.S. PATENT DOCUMENTS**

D425,874 S \* 5/2000 Tanimura ..... D14/318  
D517,063 S \* 3/2006 Nakajima et al. .... D14/318  
D523,429 S \* 6/2006 Lin ..... D14/318  
D524,306 S \* 7/2006 Yun et al. .... D14/315  
D526,999 S \* 8/2006 Tago ..... D14/327

D648,333 S \* 11/2011 Andre et al. .... D14/315  
2009/0154084 A1 \* 6/2009 Goto et al. .... 361/679.08  
2010/0259879 A1 \* 10/2010 Watanabe ..... 361/679.08

\* cited by examiner

*Primary Examiner* — Freda S Nunn

(74) *Attorney, Agent, or Firm* — Jianq Chyun IP Office

(57) **CLAIM**

The ornamental design for a notebook computer, as shown and described.

**DESCRIPTION**

FIG. 1 is a front perspective view of a notebook computer showing our new design in an open state;

FIG. 2 is rear, and bottom perspective view thereof;

FIG. 3 is a front view thereof;

FIG. 4 is a rear view thereof;

FIG. 5 is a right side view thereof;

FIG. 6 is a left side view thereof;

FIG. 7 is a top view thereof;

FIG. 8 is a bottom view thereof;

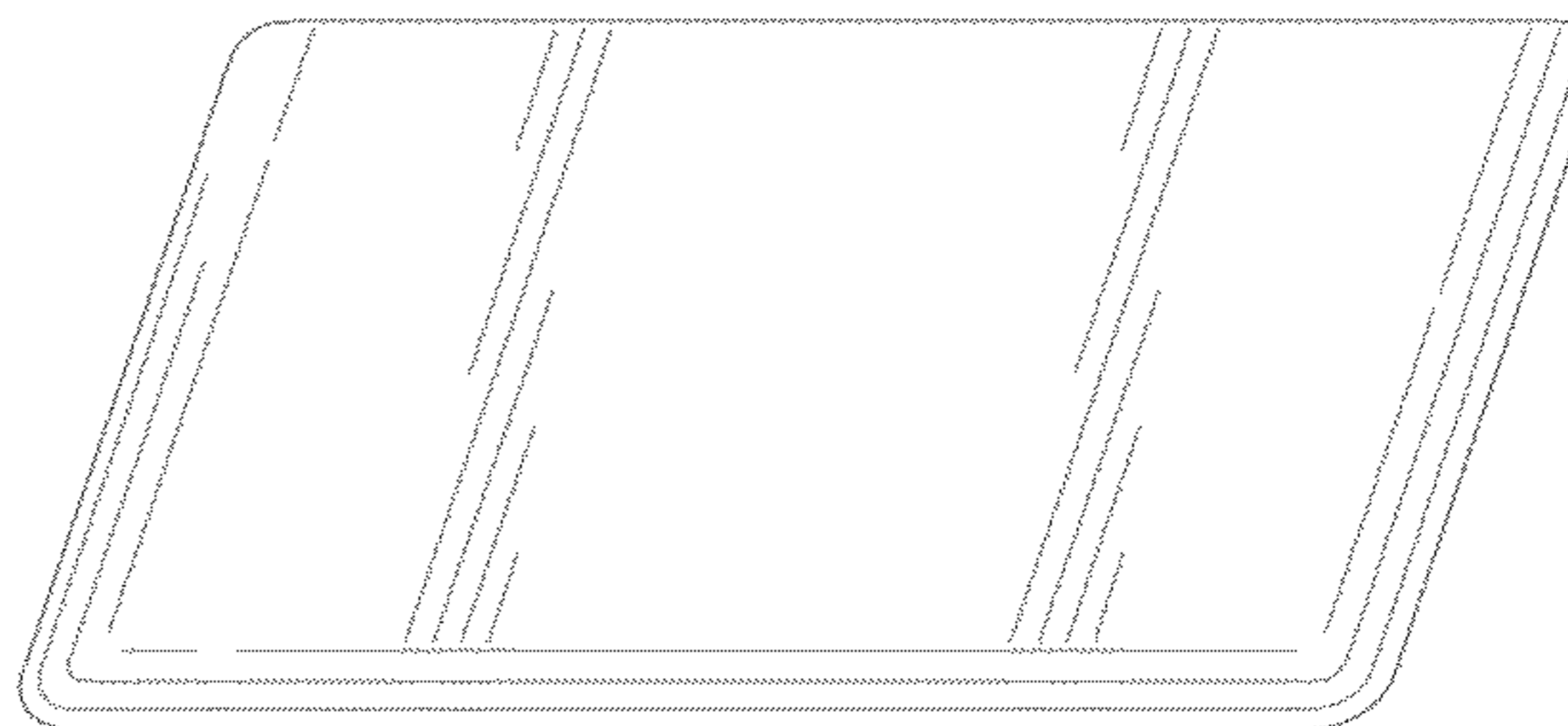
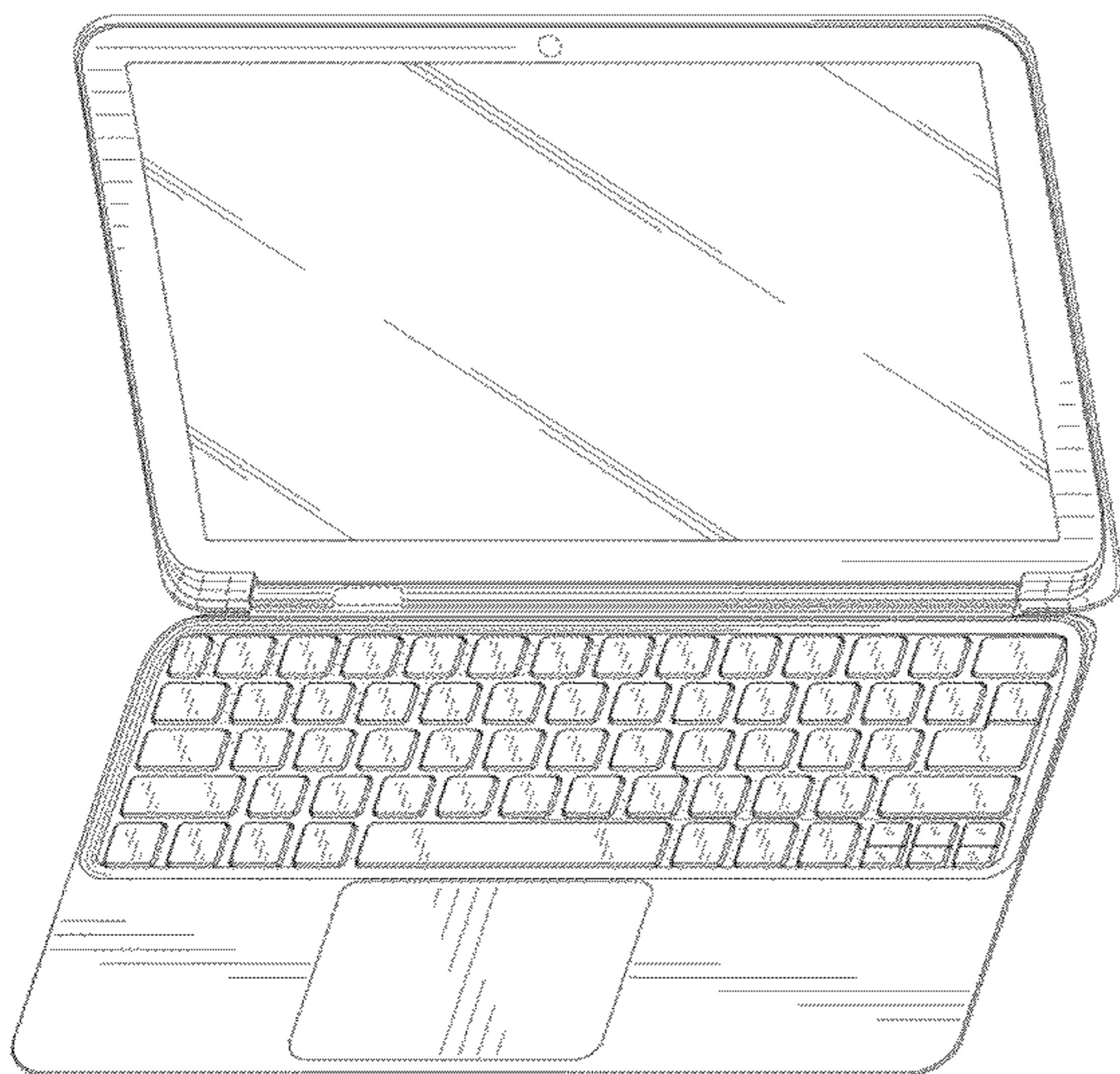
FIG. 9 is a rear and bottom view thereof in a closed position;

FIG. 10 is a front perspective view thereof in a closed state; and,

FIG. 11 is an exploded view thereof with the display screen and the keyboard separated from each other.

The broken line portions of the notebook computer in FIGS. 1-3, 5-9 and 11 represent unclaimed portions of the claimed design and form no part thereof.

**1 Claim, 11 Drawing Sheets**



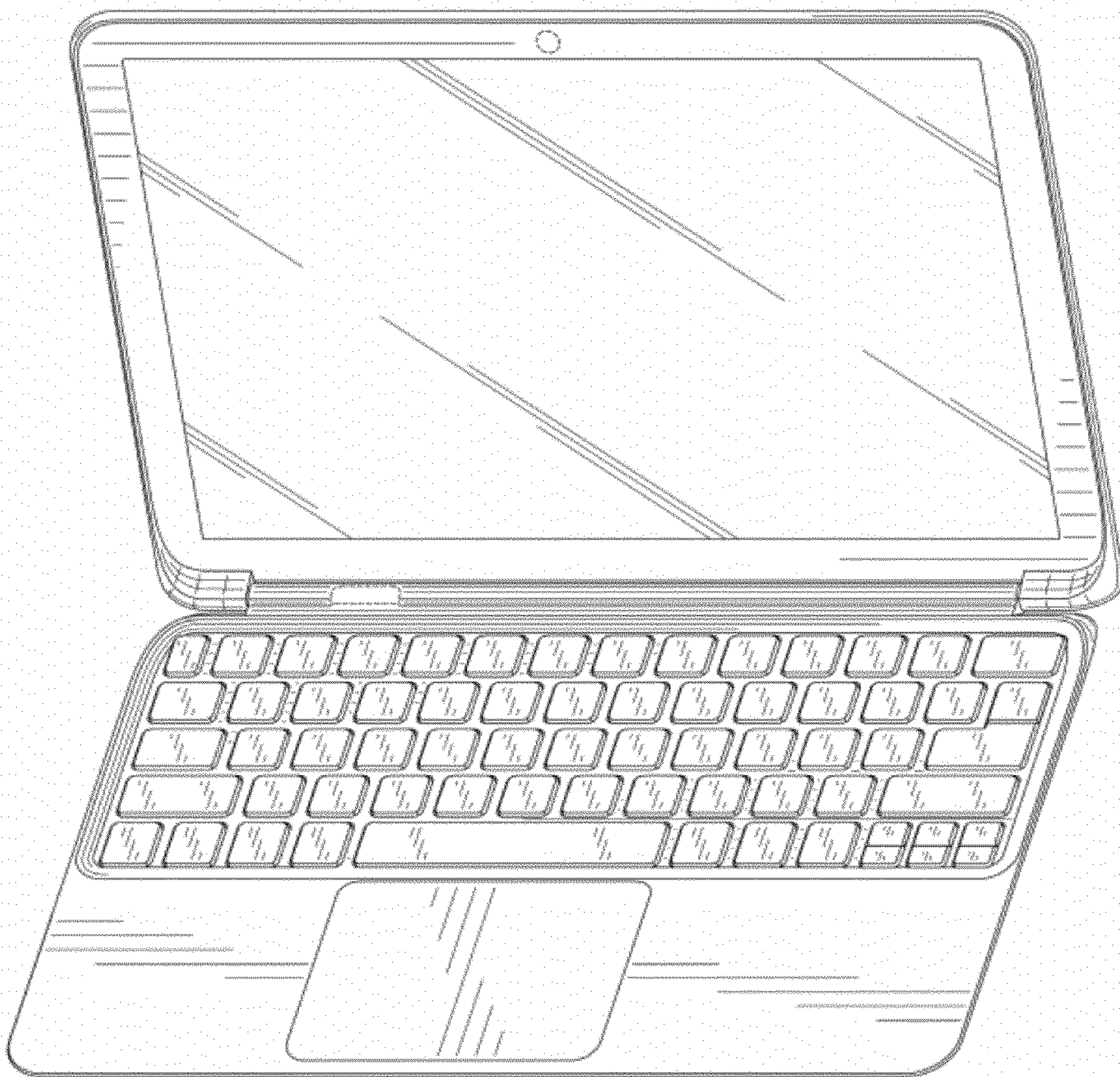


FIG. 1

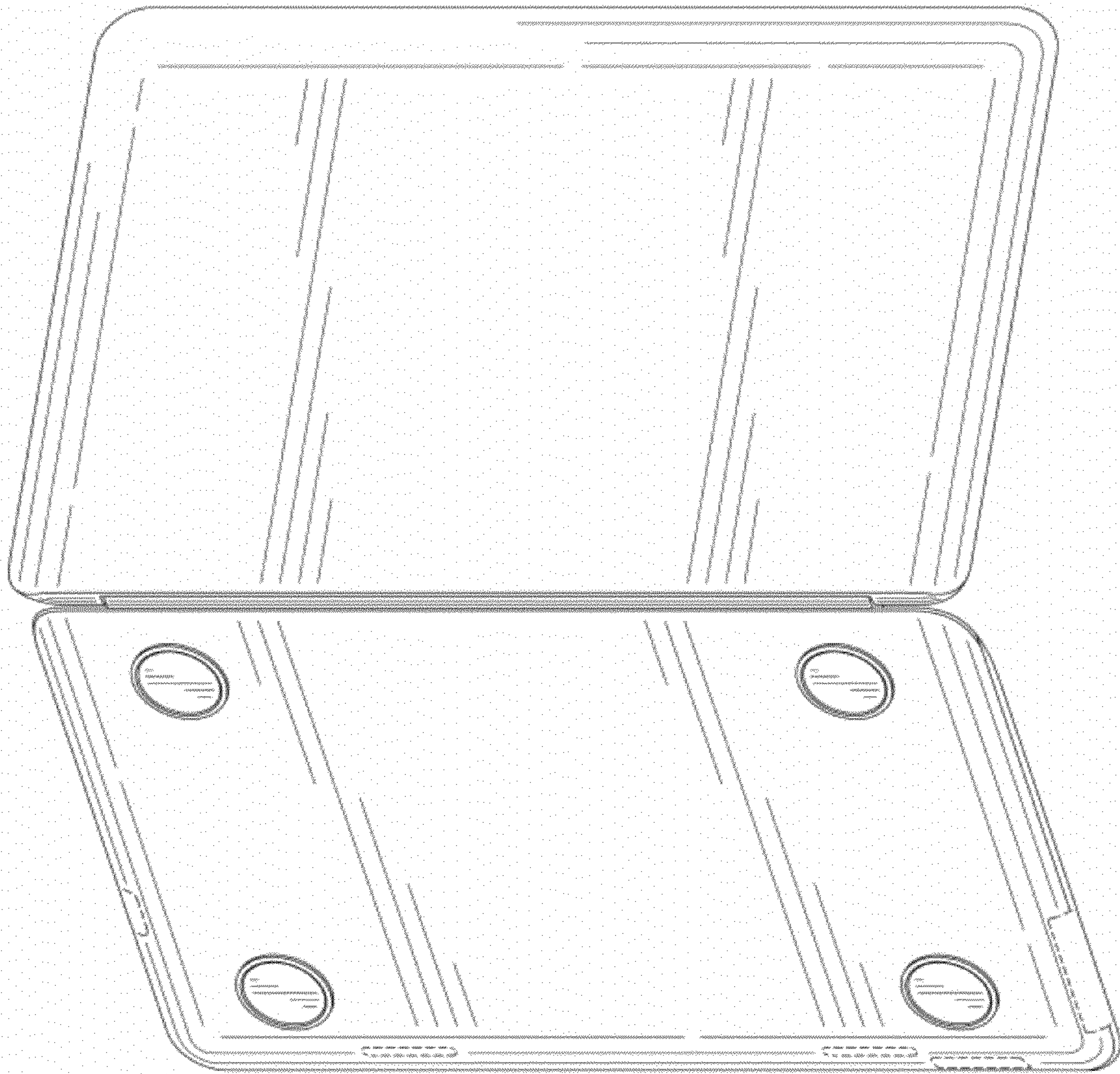


FIG. 2

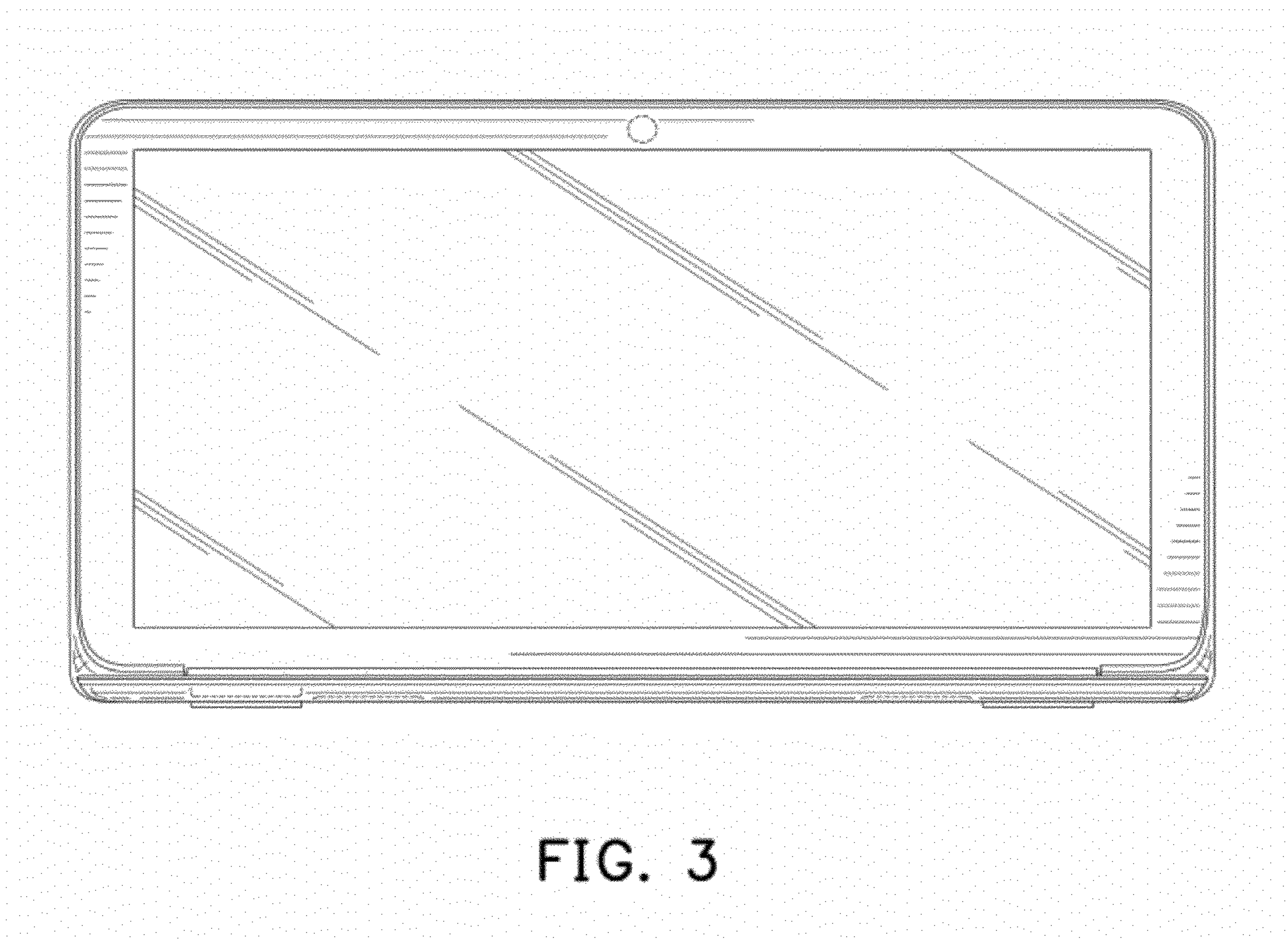


FIG. 3

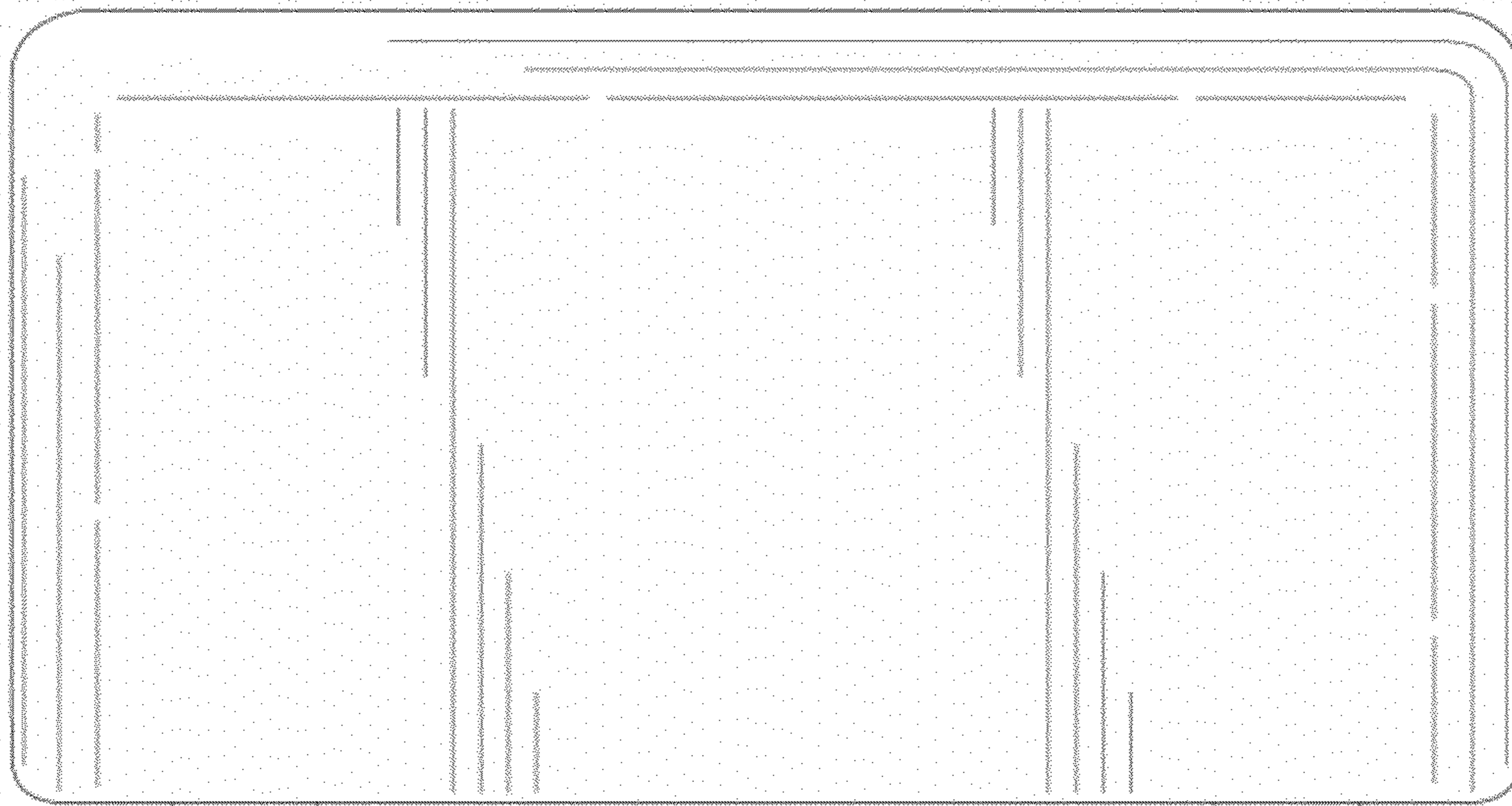


FIG. 4

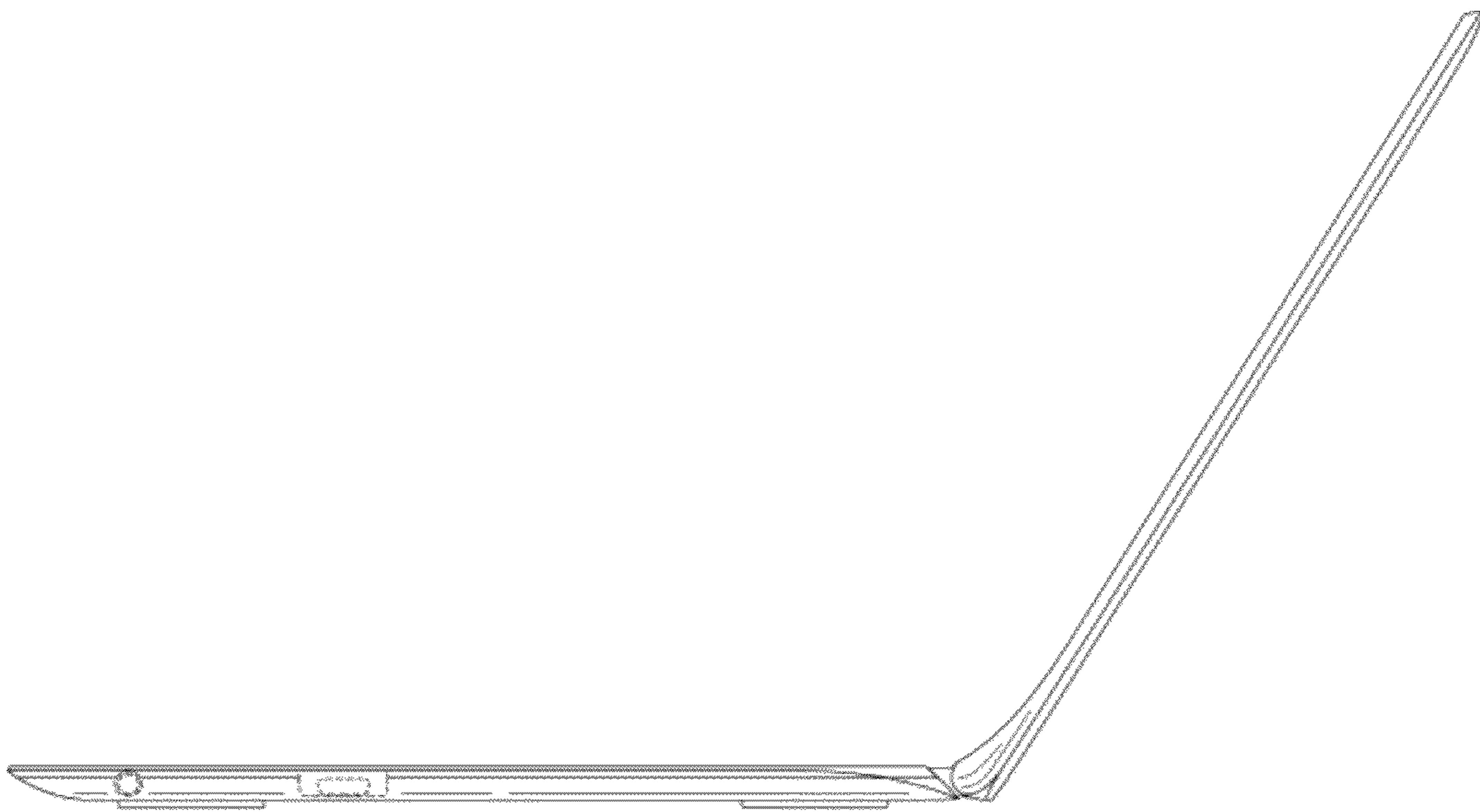


FIG. 5

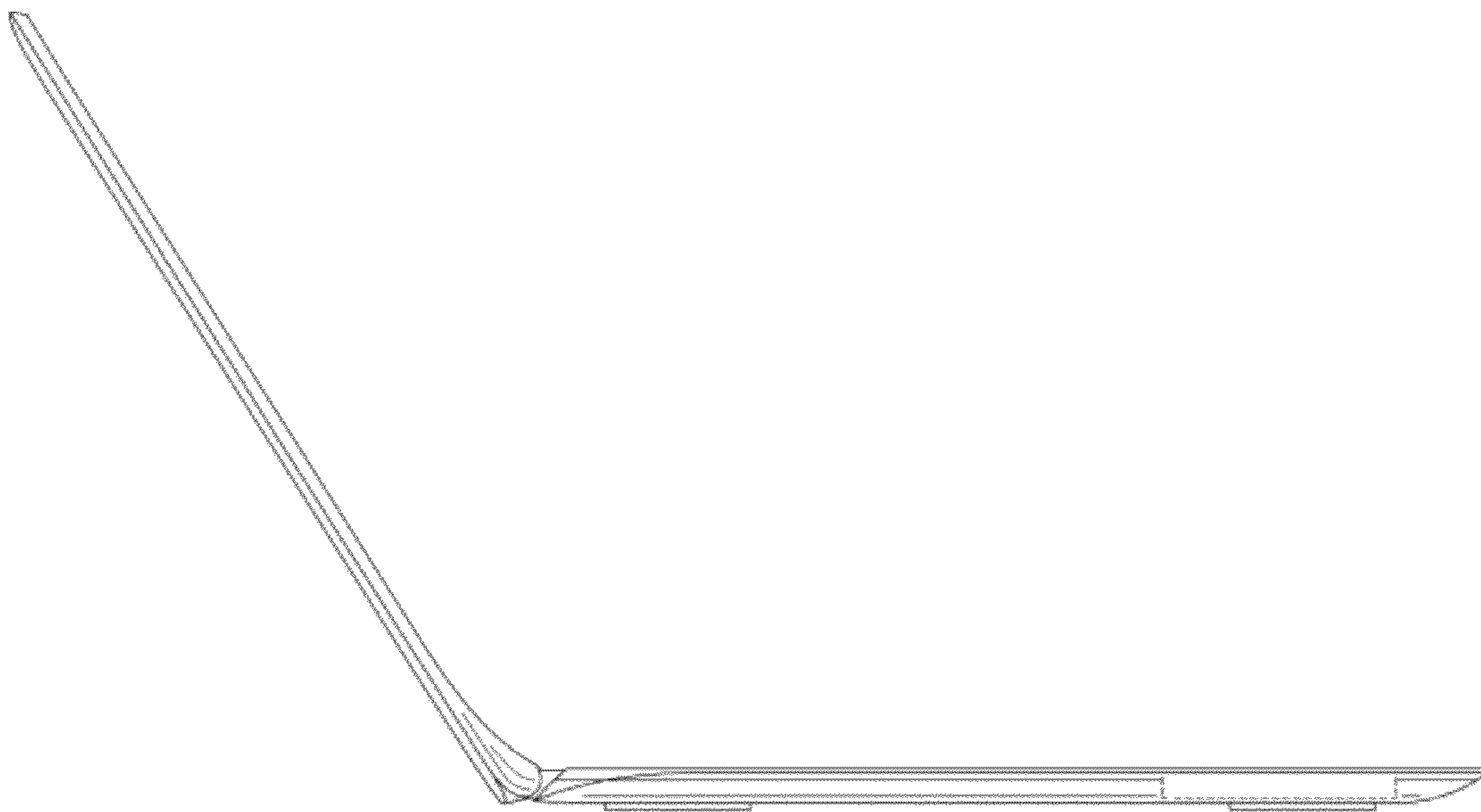


FIG. 6

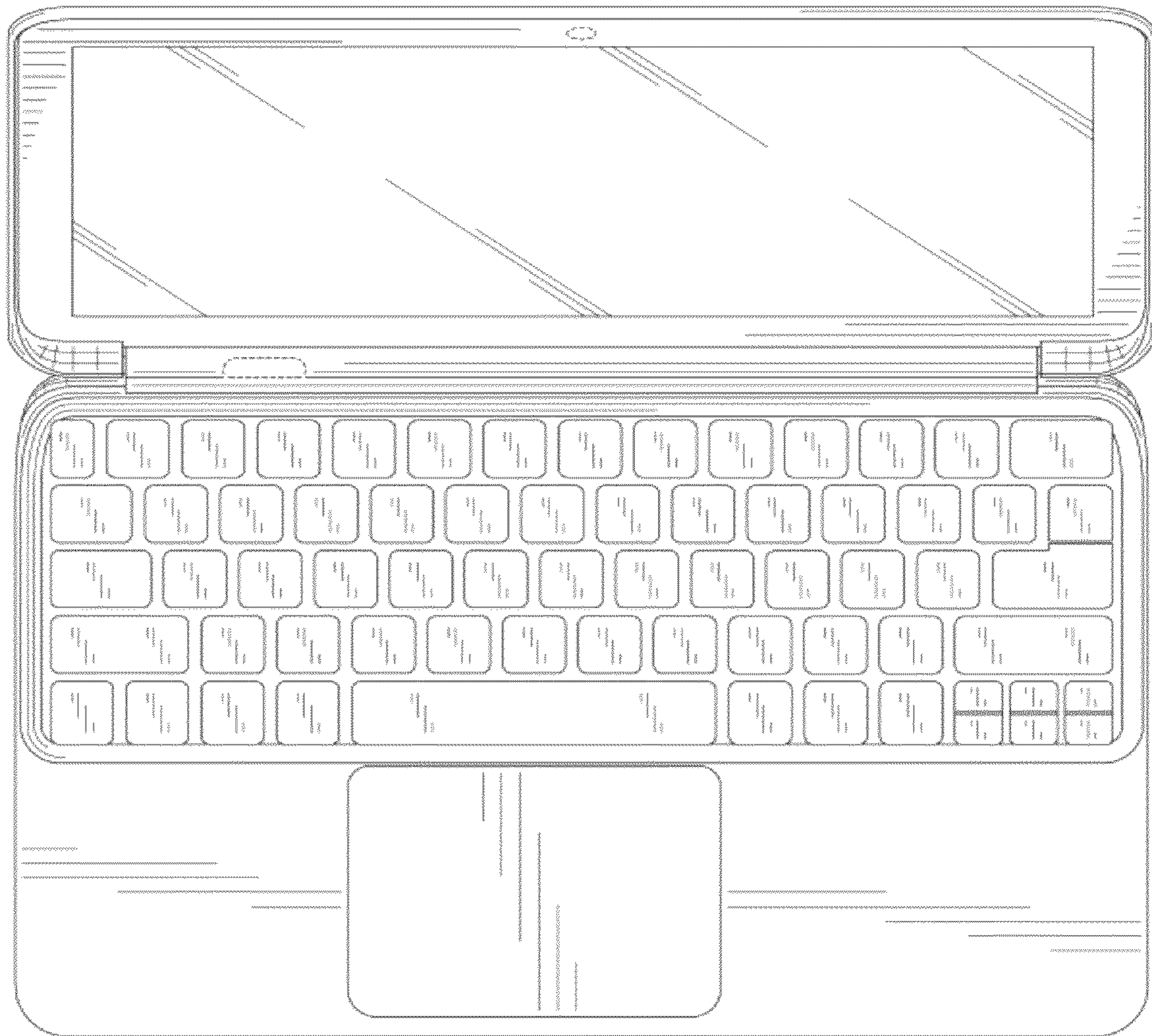


FIG. 7



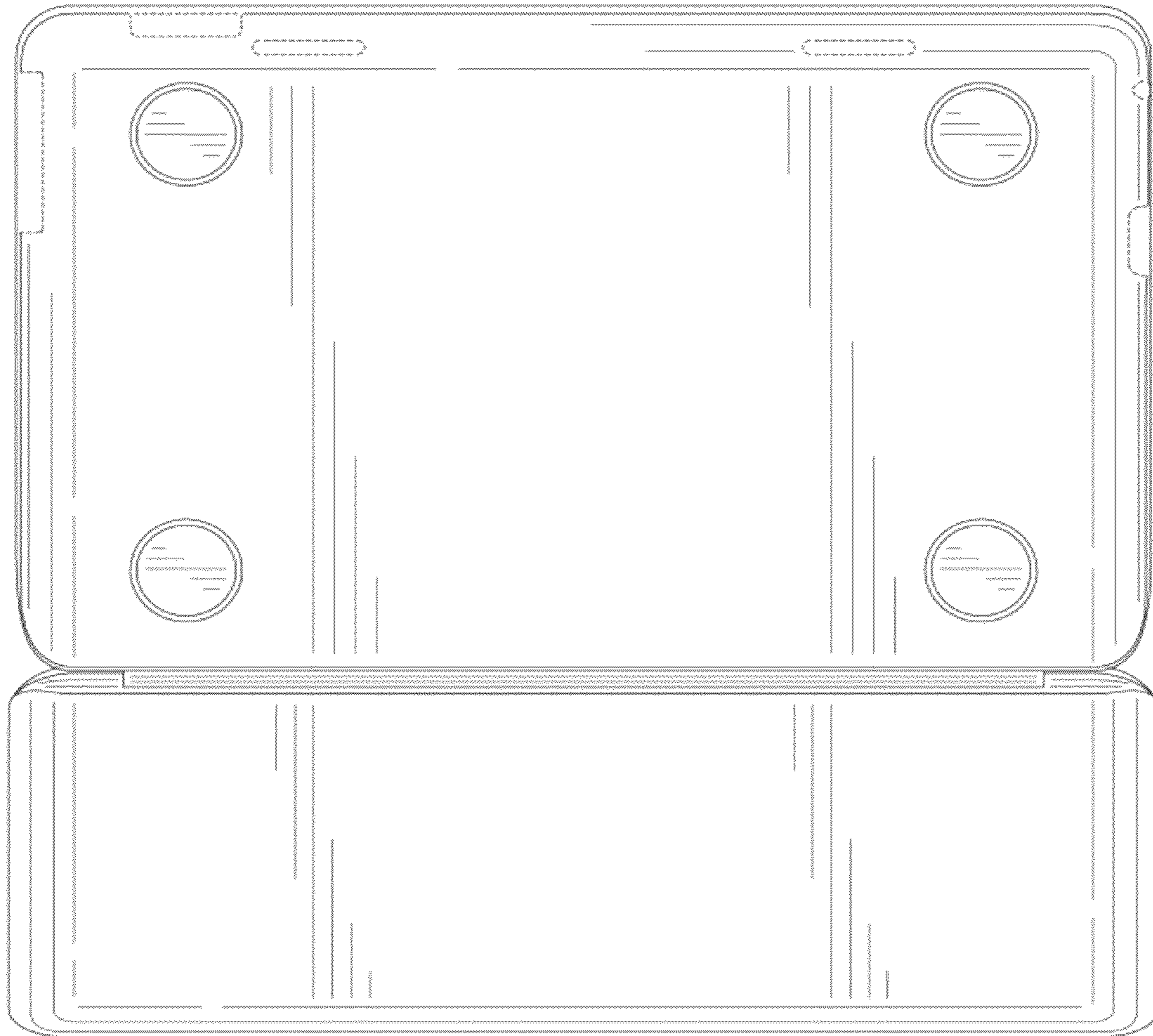


FIG. 8

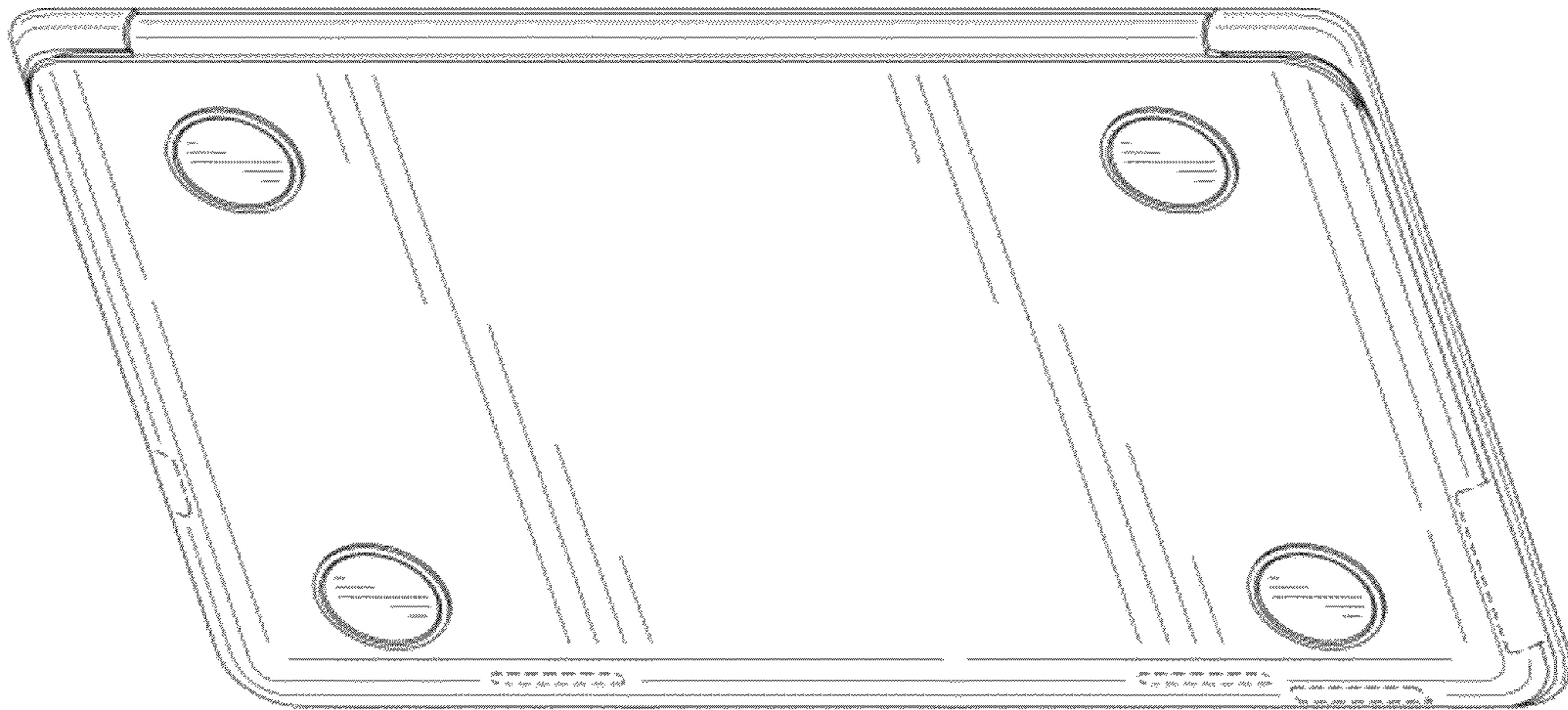


FIG. 9

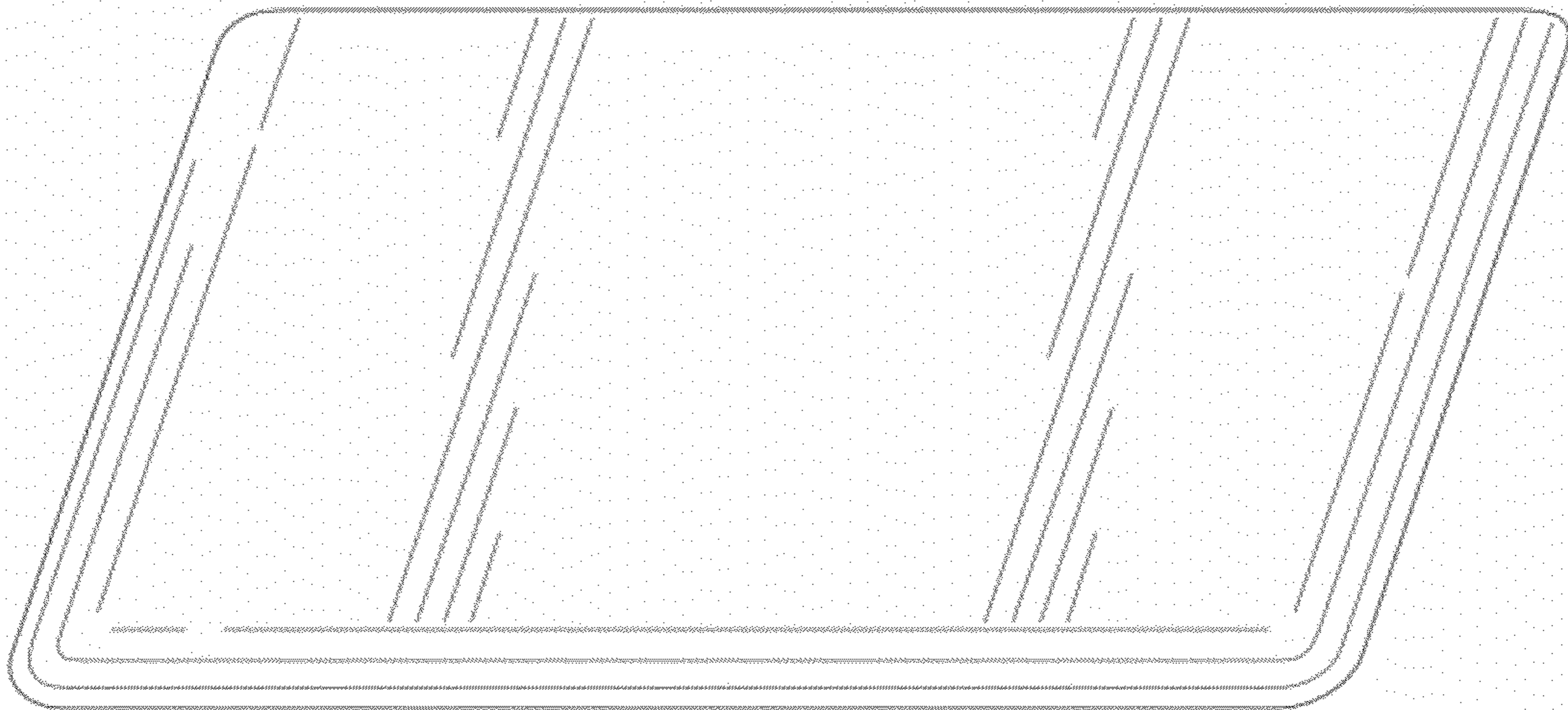


FIG. 10

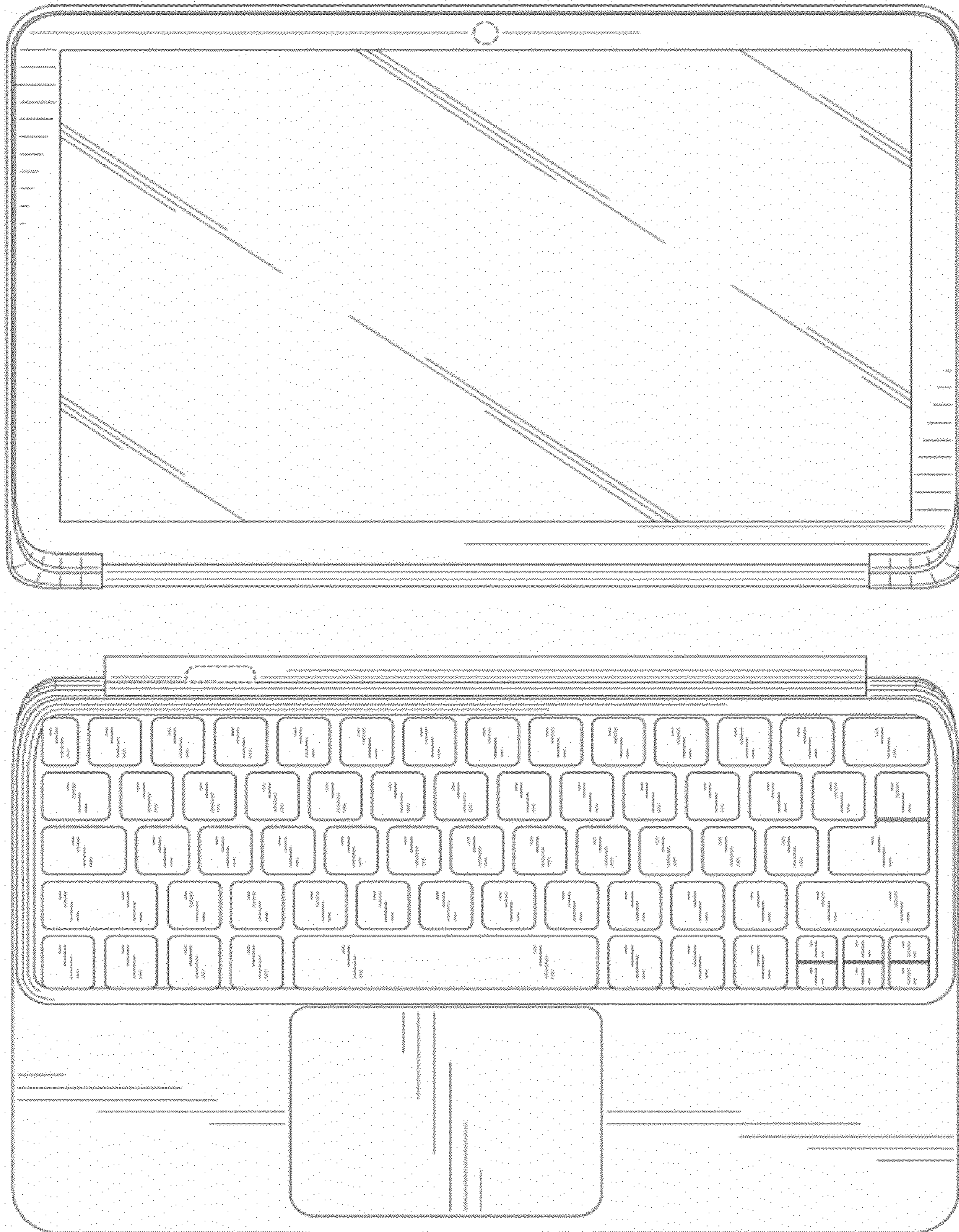


FIG. 11