



US00D673558S

(12) **United States Design Patent**
Cruz et al.

(10) **Patent No.:** **US D673,558 S**

(45) **Date of Patent:** **** Jan. 1, 2013**

(54) **LAPTOP COMPUTER**

(75) Inventors: **Tiago Alves Cruz**, Oporto (PT); **Tiago Manuel da Silva Matos**, Infantas (PT)

(73) Assignee: **J. P. Sá Couto**, Perafita (PT)

(**) Term: **14 Years**

(21) Appl. No.: **29/425,514**

(22) Filed: **Jun. 23, 2012**

Related U.S. Application Data

(62) Division of application No. 29/401,952, filed on Sep. 19, 2011.

(51) **LOC (9) Cl.** **14-02**

(52) **U.S. Cl.** **D14/315**

(58) **Field of Classification Search** D14/315-327,
D14/349, 356; D18/1, 2, 7, 11; 235/145 A,
235/145 R; 341/22, 23; 345/104, 156, 168,
345/169, 173; 361/679.08, 679.09, 679.11,
361/679.26, 679.27

See application file for complete search history.

(56) **References Cited**

U.S. PATENT DOCUMENTS

5,103,376 A * 4/1992 Blonder 361/679.09
6,519,139 B2 * 2/2003 Kambayashi 361/679.09

D517,063 S * 3/2006 Nakajima et al. D14/318
D603,393 S * 11/2009 Paek D14/315
D606,990 S * 12/2009 Chen et al. D14/327
D615,969 S * 5/2010 Arbisi et al. D14/327
D643,033 S * 8/2011 Lee et al. D14/315
2005/0041378 A1 * 2/2005 Hamada et al. 361/680

* cited by examiner

Primary Examiner — Freda S Nunn

(74) *Attorney, Agent, or Firm* — Mardson Q. McQuay

(57) **CLAIM**

The ornamental design for a laptop computer, as shown and described.

DESCRIPTION

FIG. 1 is a perspective view of a laptop computer showing my new design;

FIG. 2 is a top view of the laptop computer shown in FIG. 1; FIG. 3 is bottom view of the laptop computer shown in FIG. 1;

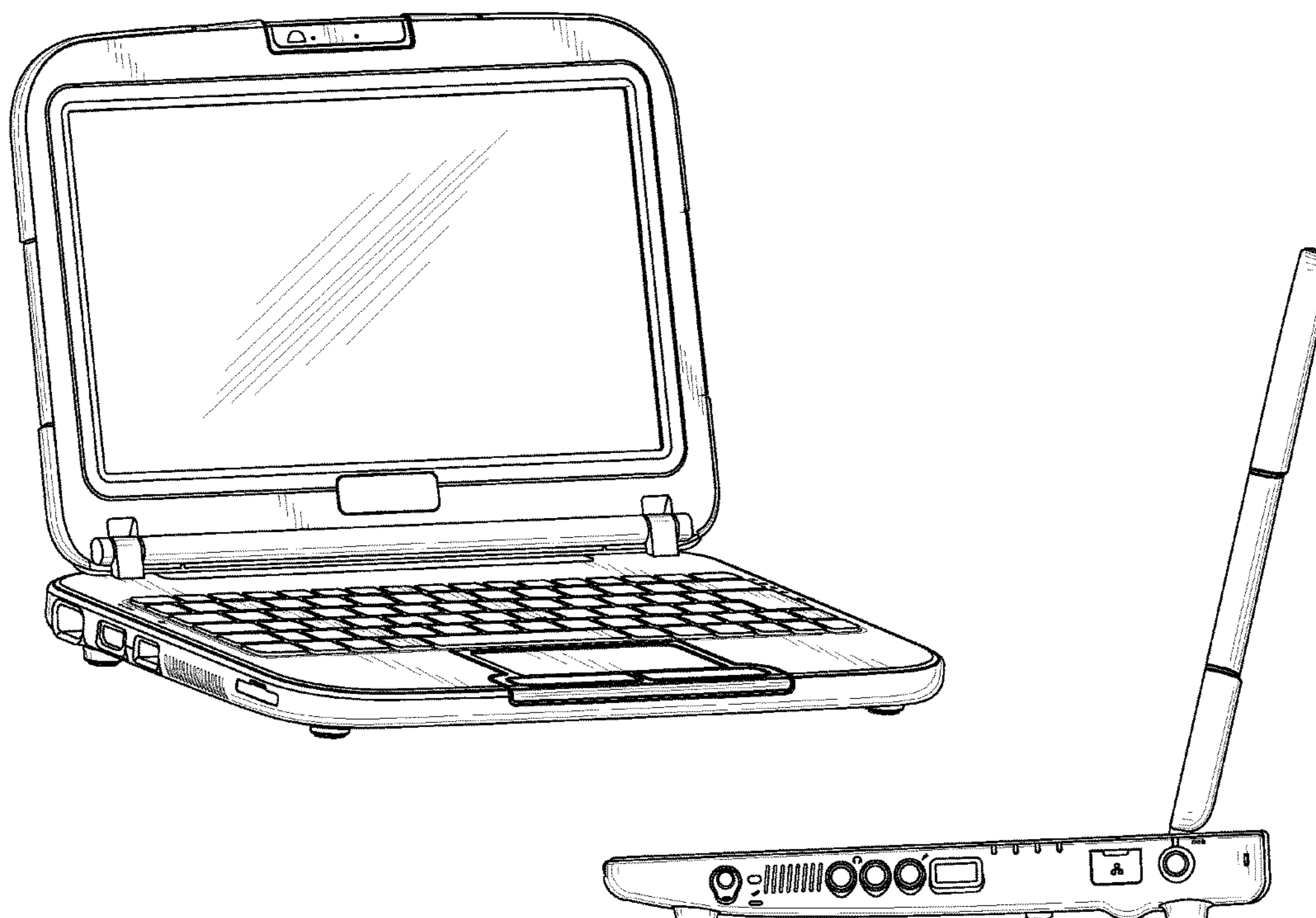
FIG. 4 is a front elevational view of the laptop computer shown in FIG. 1;

FIG. 5 is a rear elevational view of the laptop computer shown in FIG. 1;

FIG. 6 is a side view of the laptop computer shown in FIG. 1; and,

FIG. 7 is another side view of the laptop computer shown in FIG. 1.

1 Claim, 7 Drawing Sheets



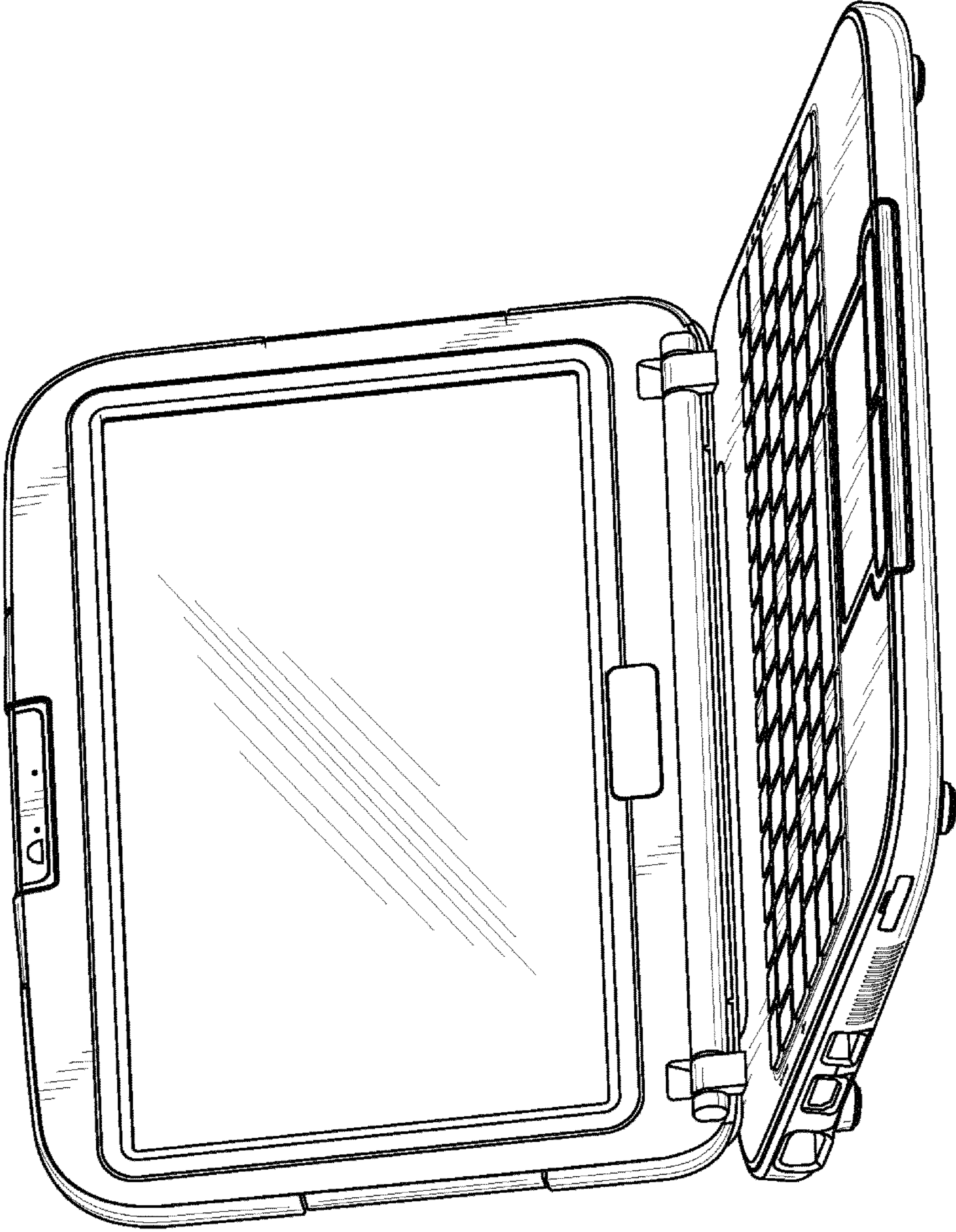


FIG. 1

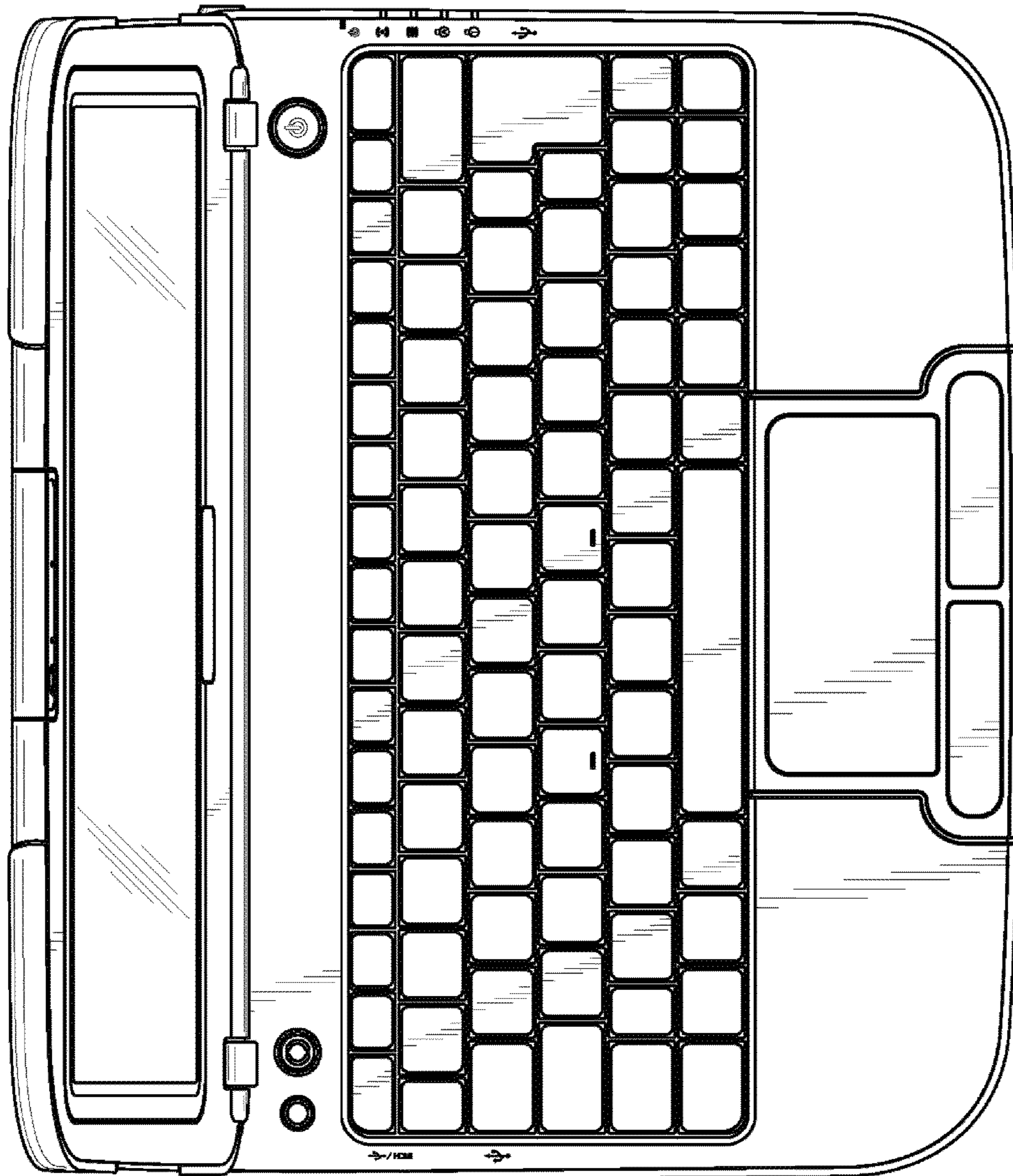


FIG. 2

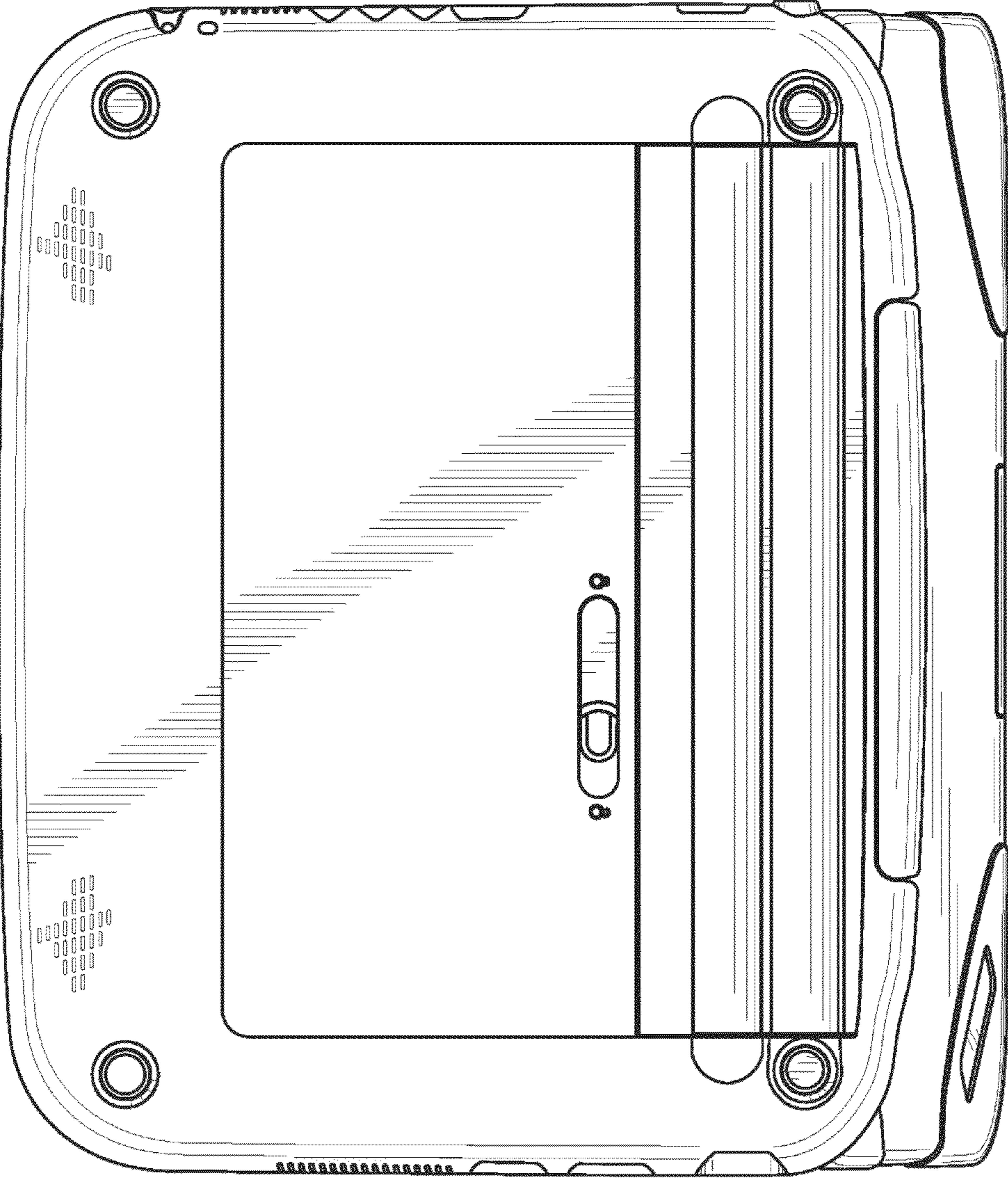


FIG. 3

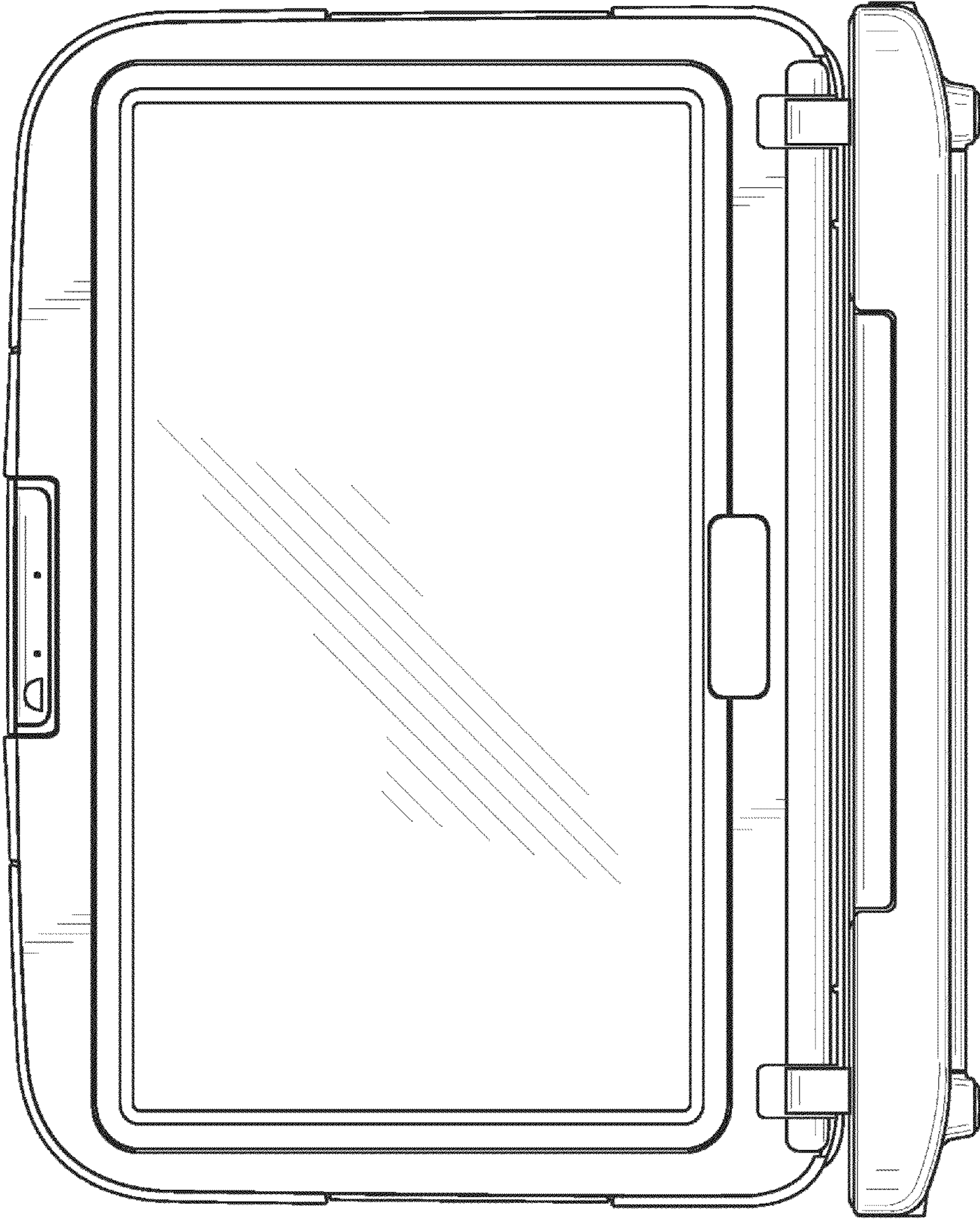


FIG. 4

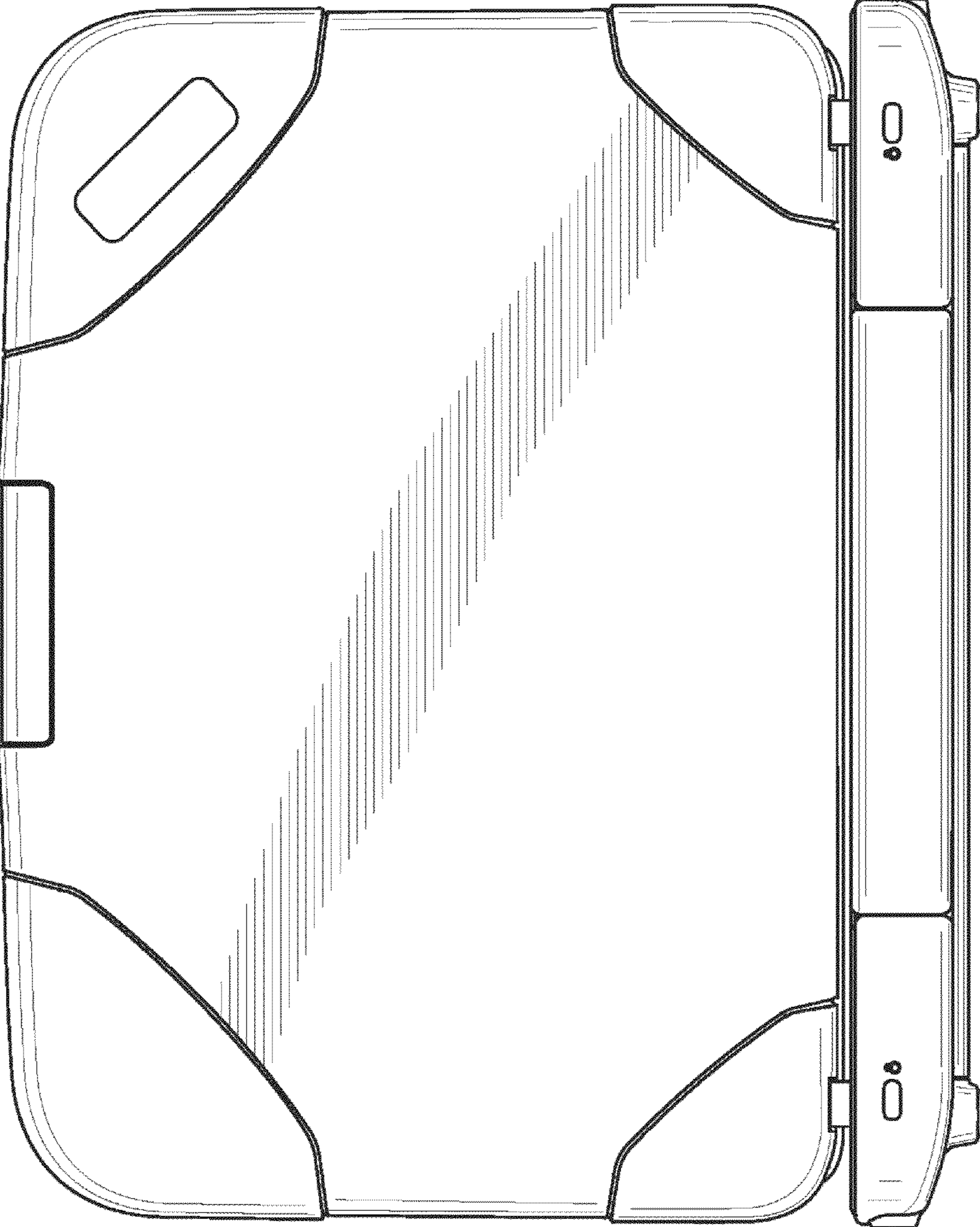


FIG. 5

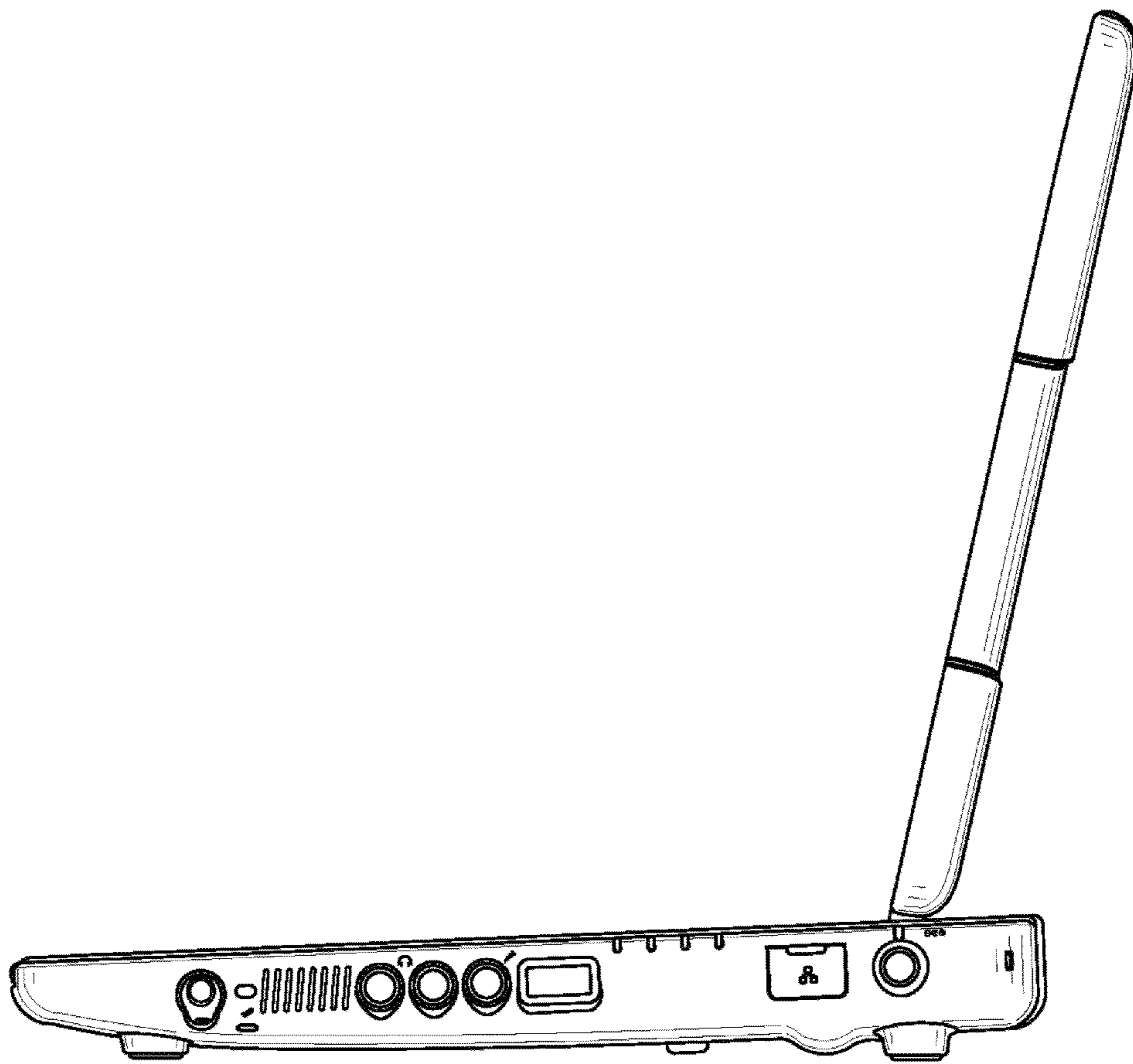


FIG. 6

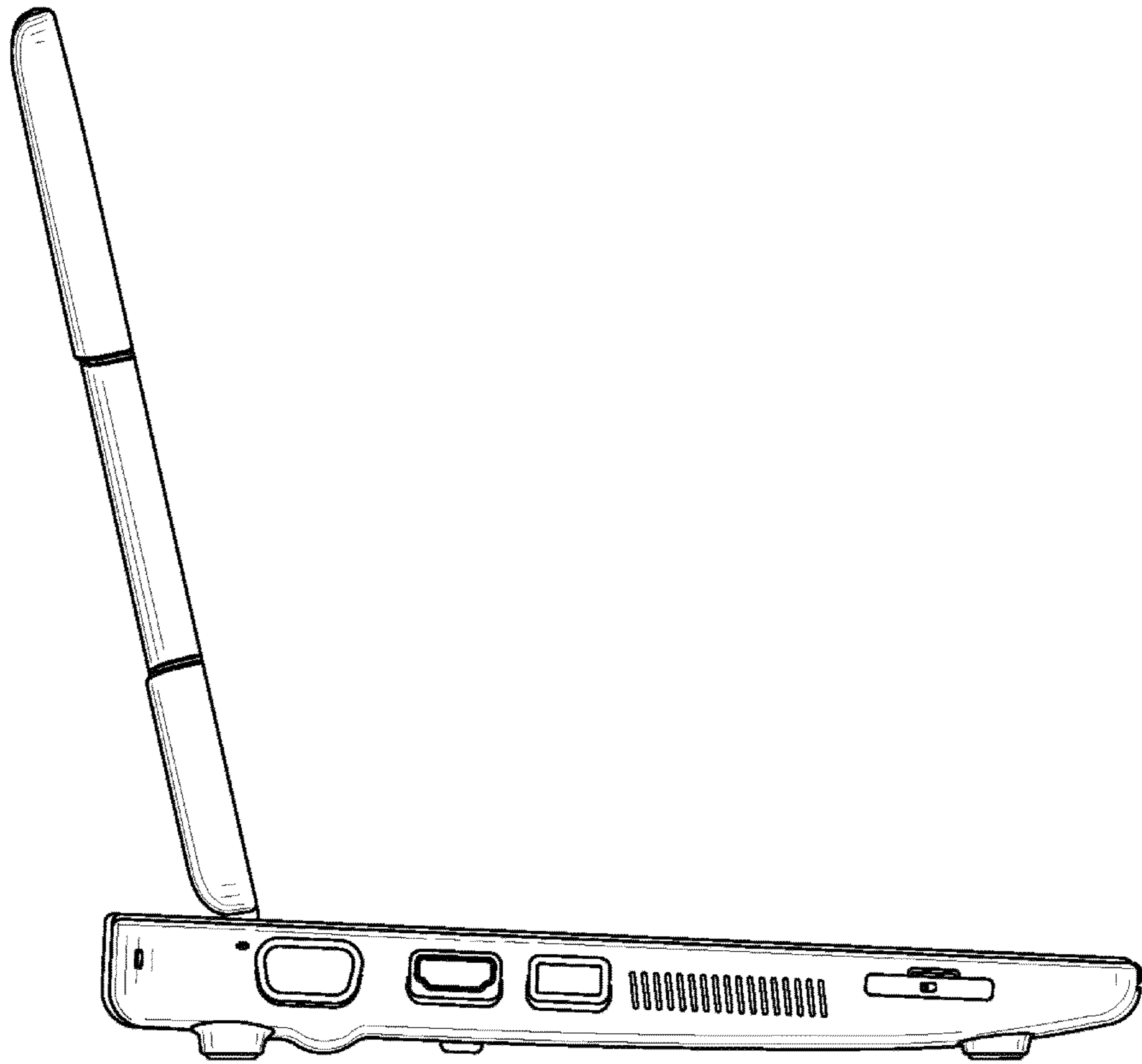


FIG. 7