



US00D673555S

(12) **United States Design Patent**
Sanlville

(10) **Patent No.:** **US D673,555 S**

(45) **Date of Patent:** **** Jan. 1, 2013**

(54) **SCREEN OF A HANDS-FREE CAR KIT**

D661,692 S *	6/2012	Sanlville	D14/240
D662,503 S *	6/2012	Akana et al.	D14/439
D664,540 S *	7/2012	Kim et al.	D14/341
2008/0192417 A1 *	8/2008	Hwang et al.	361/681

(75) **Inventor:** **Thierry Sanlville**, Paris (FR)

(73) **Assignee:** **Parrot**, Paris (FR)

* cited by examiner

(**) **Term:** **14 Years**

Primary Examiner — Raphael Barkai
Assistant Examiner — Randall Gholson

(21) **Appl. No.:** **29/382,478**

(22) **Filed:** **Jan. 4, 2011**

(51) **LOC (9) Cl.** **08-07**

(52) **U.S. Cl.** **D14/251**

(58) **Field of Classification Search** D14/240,
D14/242, 357, 358, 140–140.2, 140.5, 155,
D14/137, 138 G

See application file for complete search history.

(57) **CLAIM**

The ornamental design for a screen of a hands-free car kit, as shown and described.

DESCRIPTION

FIG. 1 is a front view of a screen of a hands-free car kit that has the design.

FIG. 2 is a left side view of the screen of a hands-free car kit.

FIG. 3 is a back view.

FIG. 4 is a right-side view.

FIG. 5 is a top view.

FIG. 6 is a bottom view; and,

FIG. 7 is a three quarter front, top, and side view.

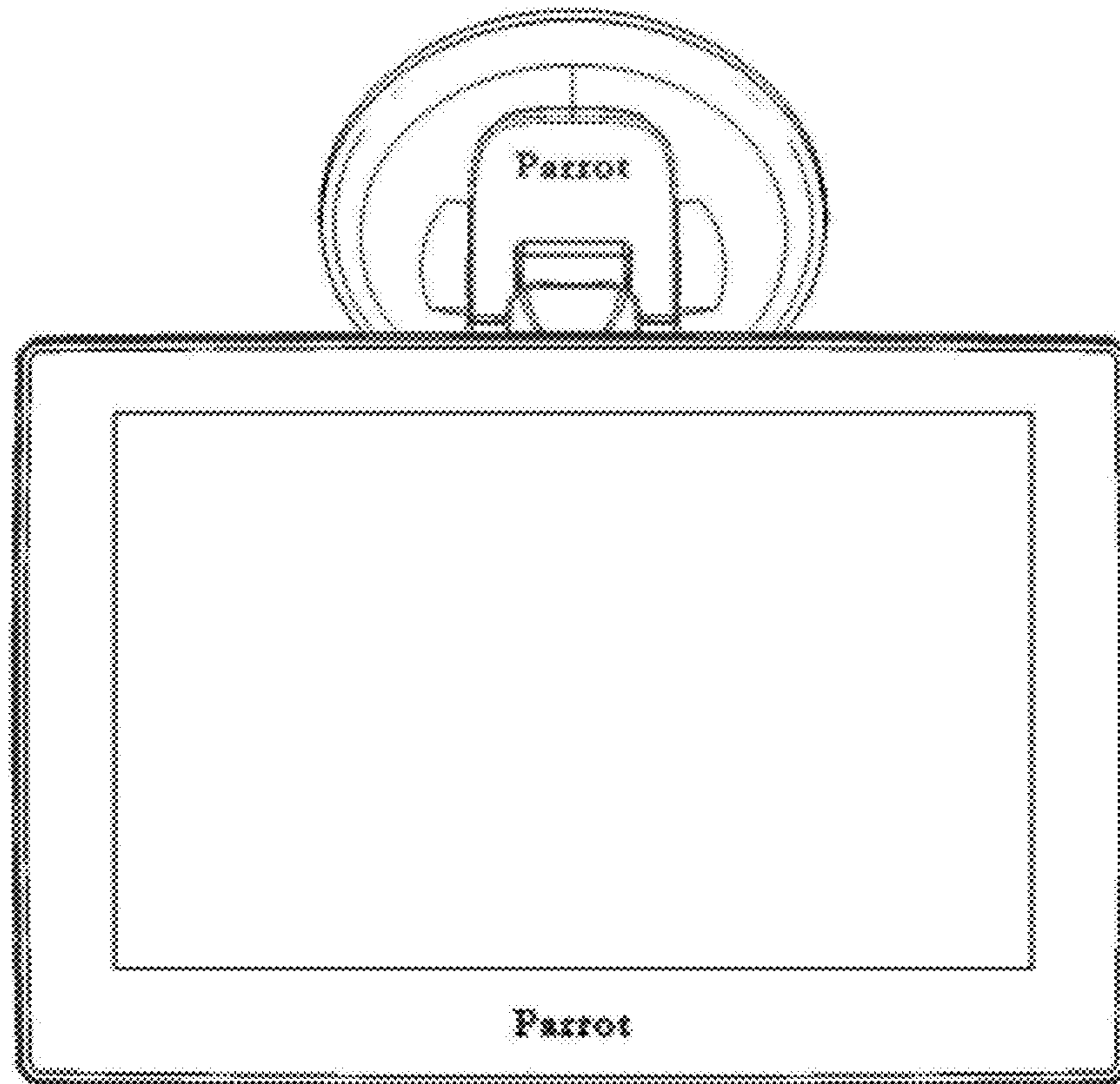
The “Parrot” trademark that appears in the drawings is not a part of the claimed design, nor is the arrangement of jacks or the screws.

(56) **References Cited**

U.S. PATENT DOCUMENTS

D580,847 S *	11/2008	Mo	D12/415
D594,356 S *	6/2009	Riddiford	D10/65
D602,025 S *	10/2009	Richter	D14/447
D615,083 S *	5/2010	Andre et al.	D14/341
D617,792 S *	6/2010	Andre et al.	D14/341
D619,587 S *	7/2010	Richter	D14/253
D643,753 S *	8/2011	Tsai et al.	D10/10
8,016,251 B2 *	9/2011	Richter	248/125.9
D654,493 S *	2/2012	Baumann et al.	D14/253

1 Claim, 4 Drawing Sheets



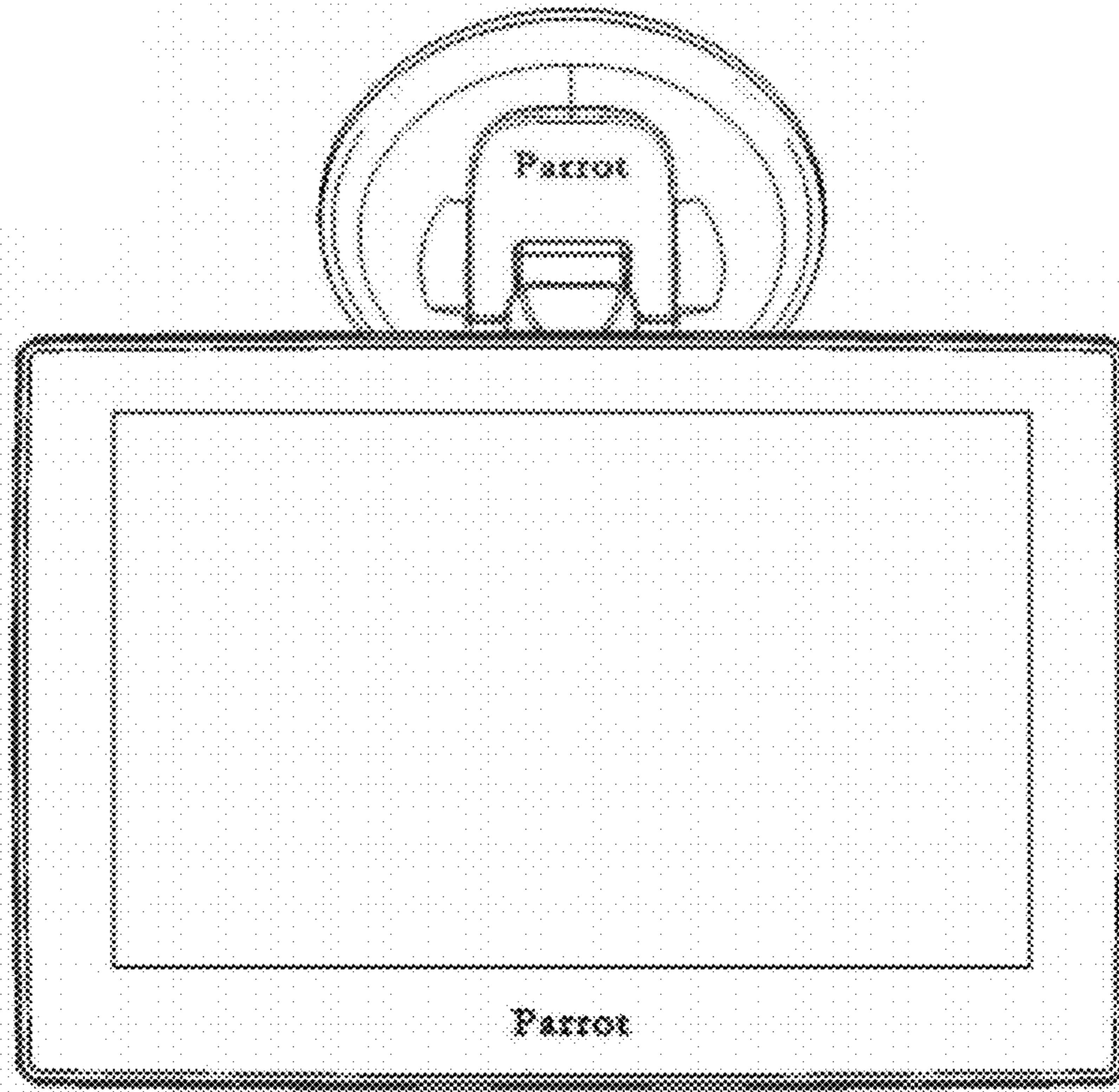


Fig. 1

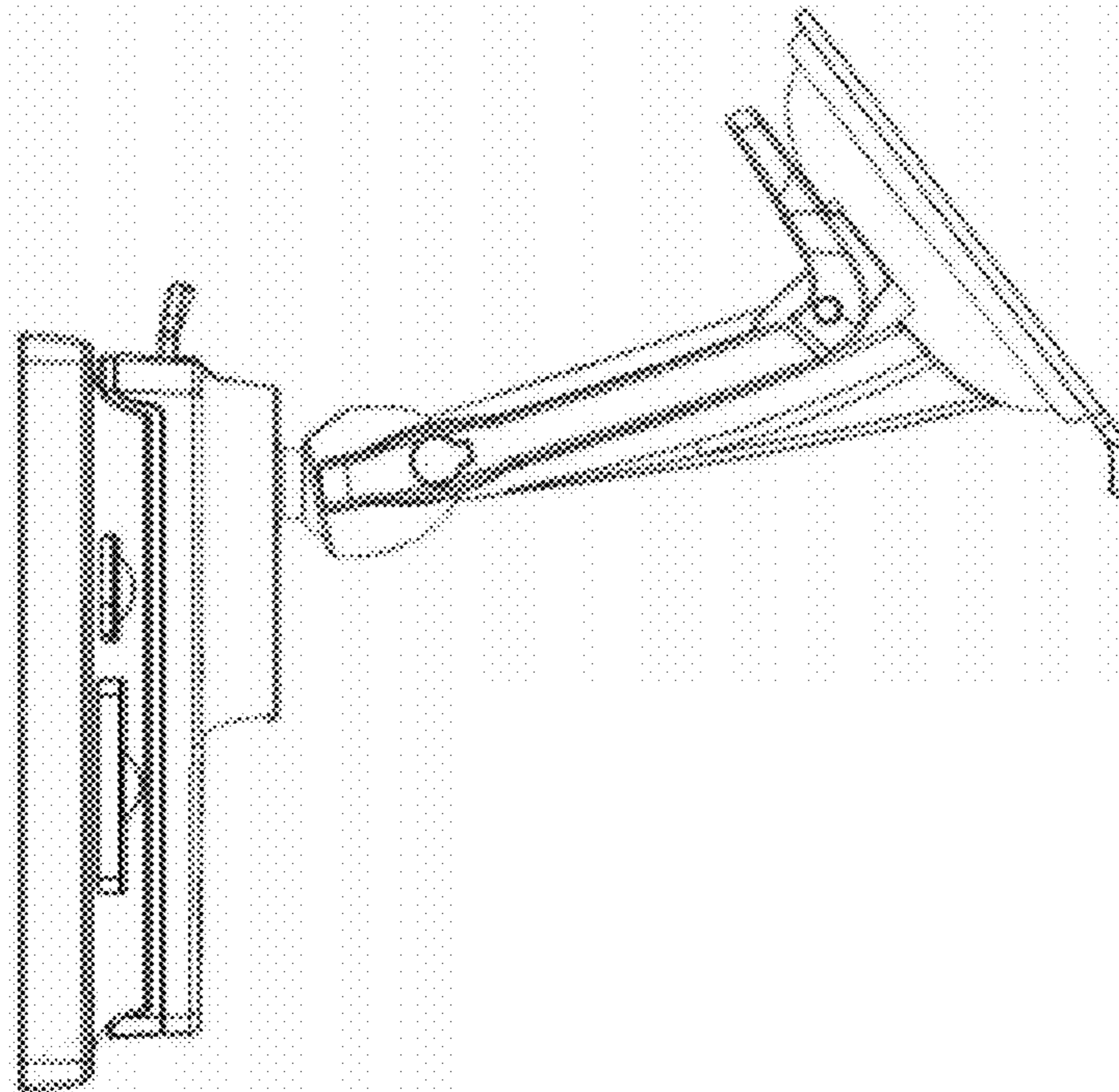


Fig. 2

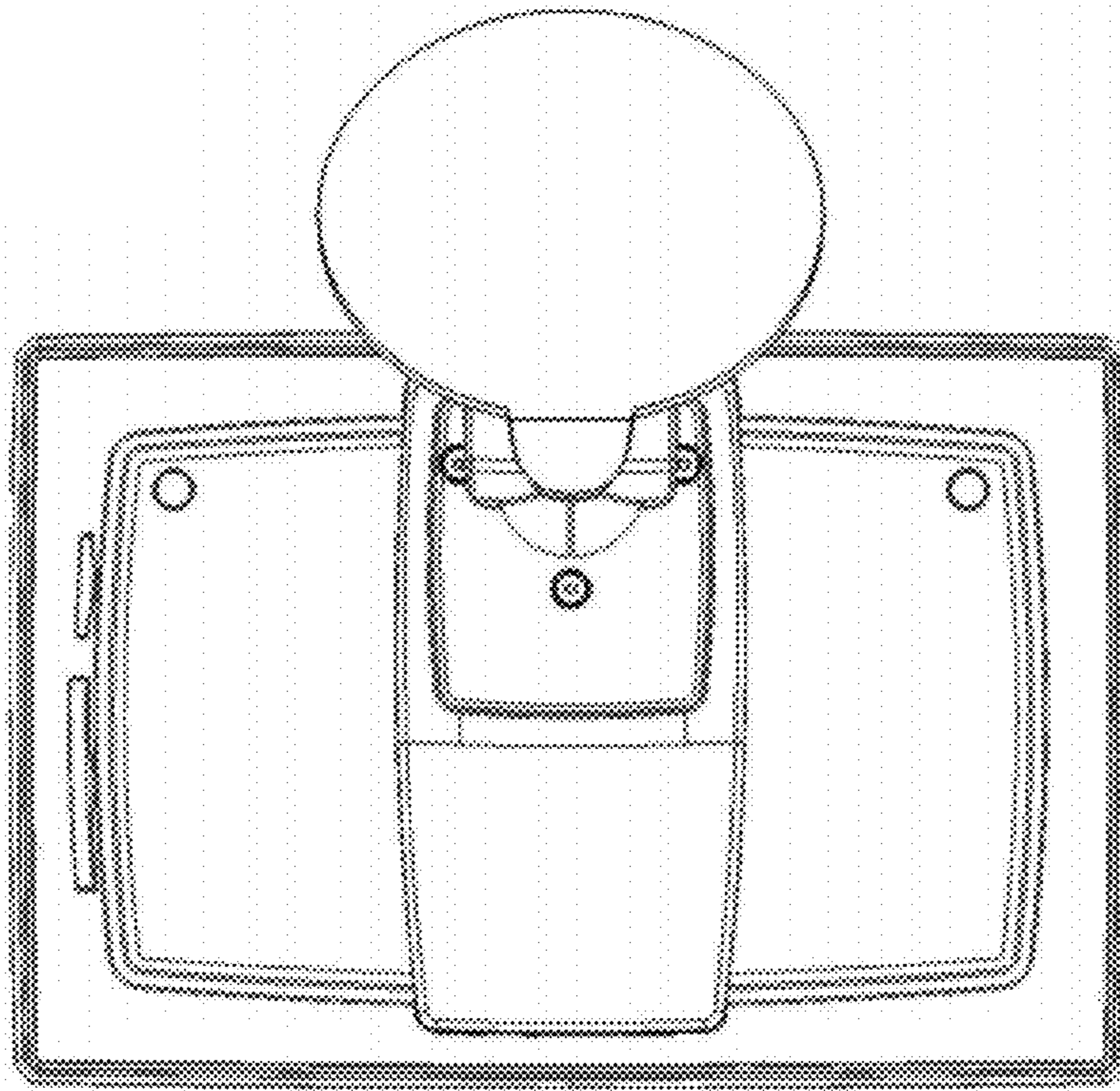


Fig. 3

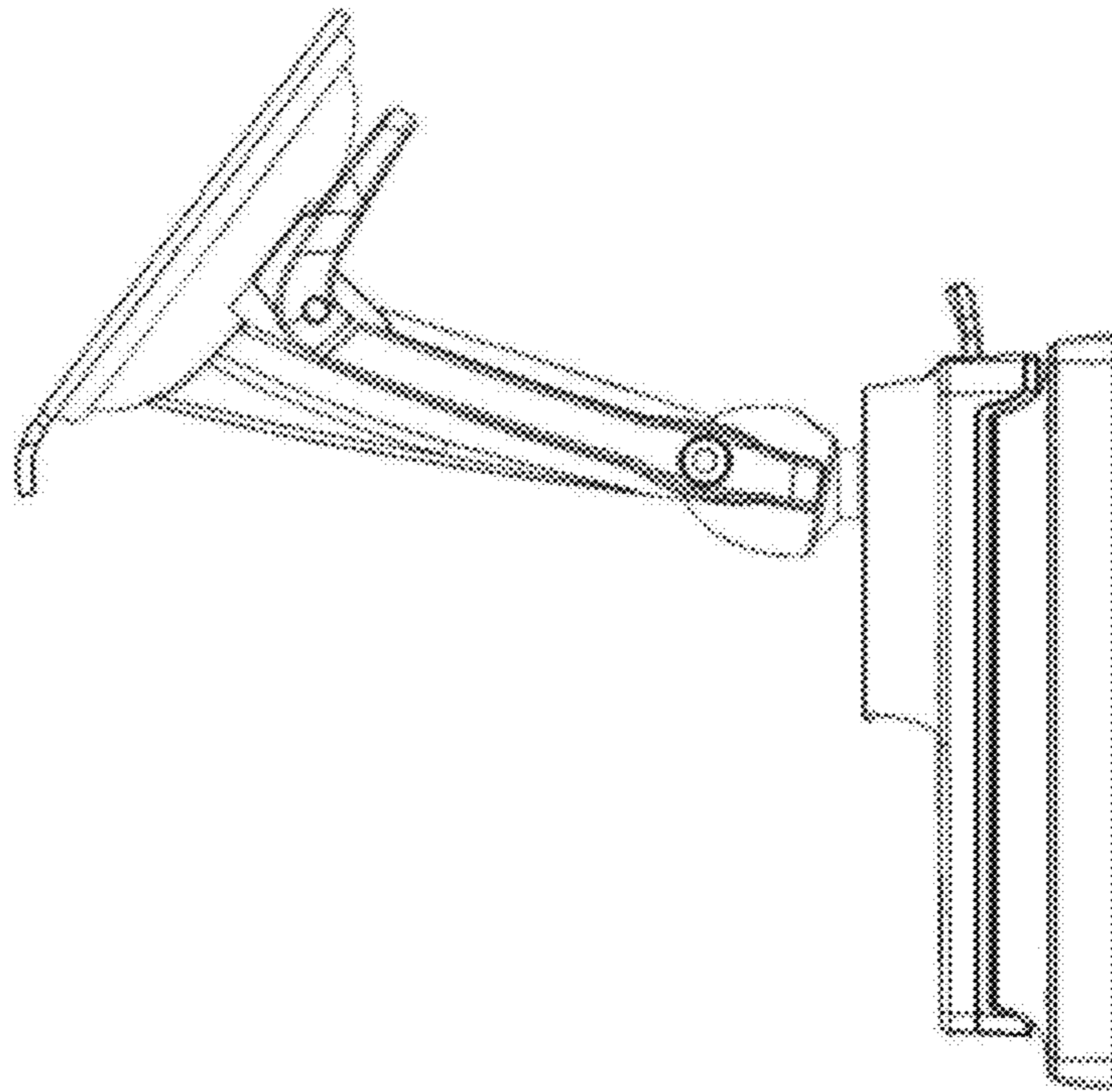


Fig. 4

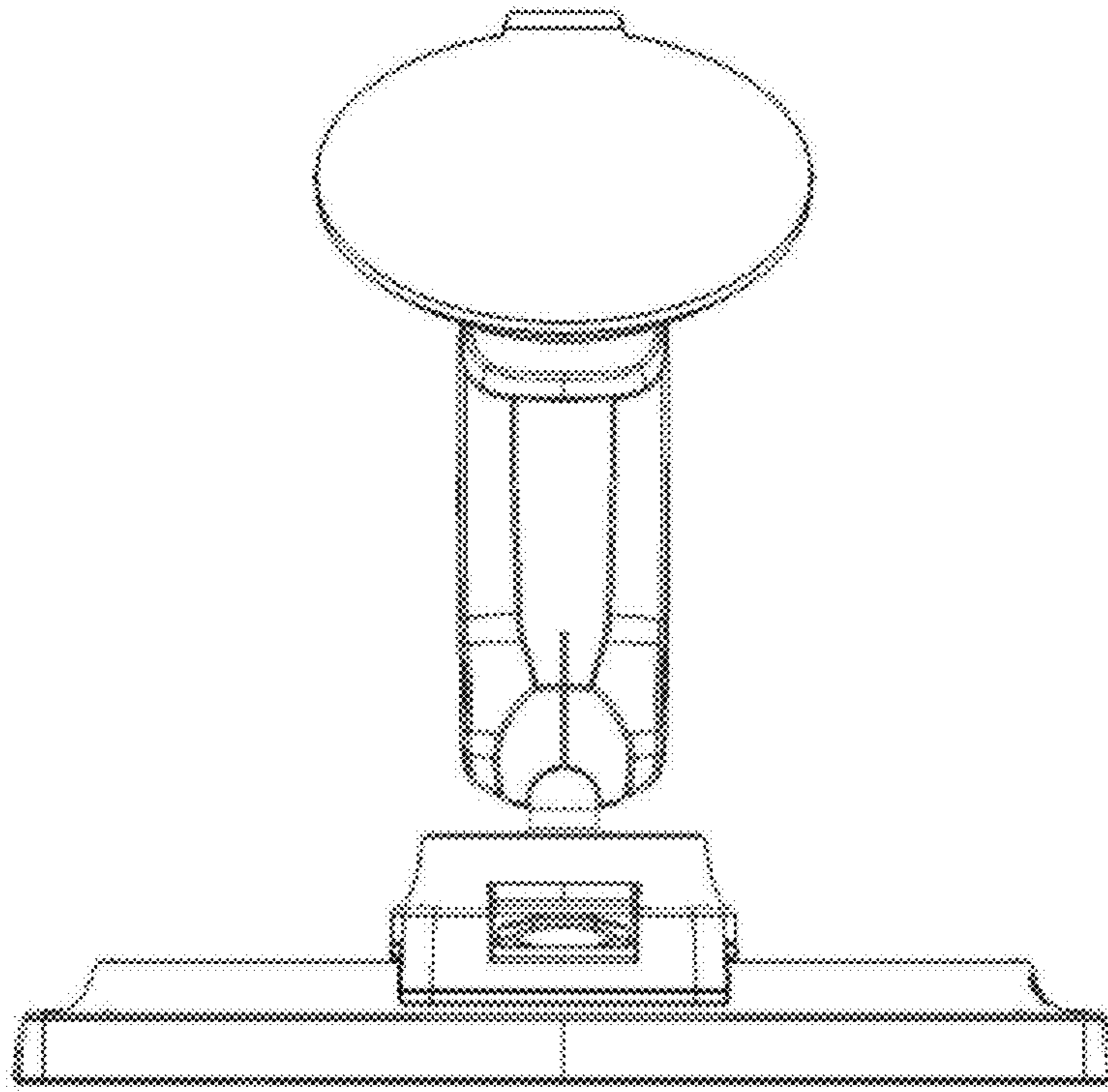


Fig. 5

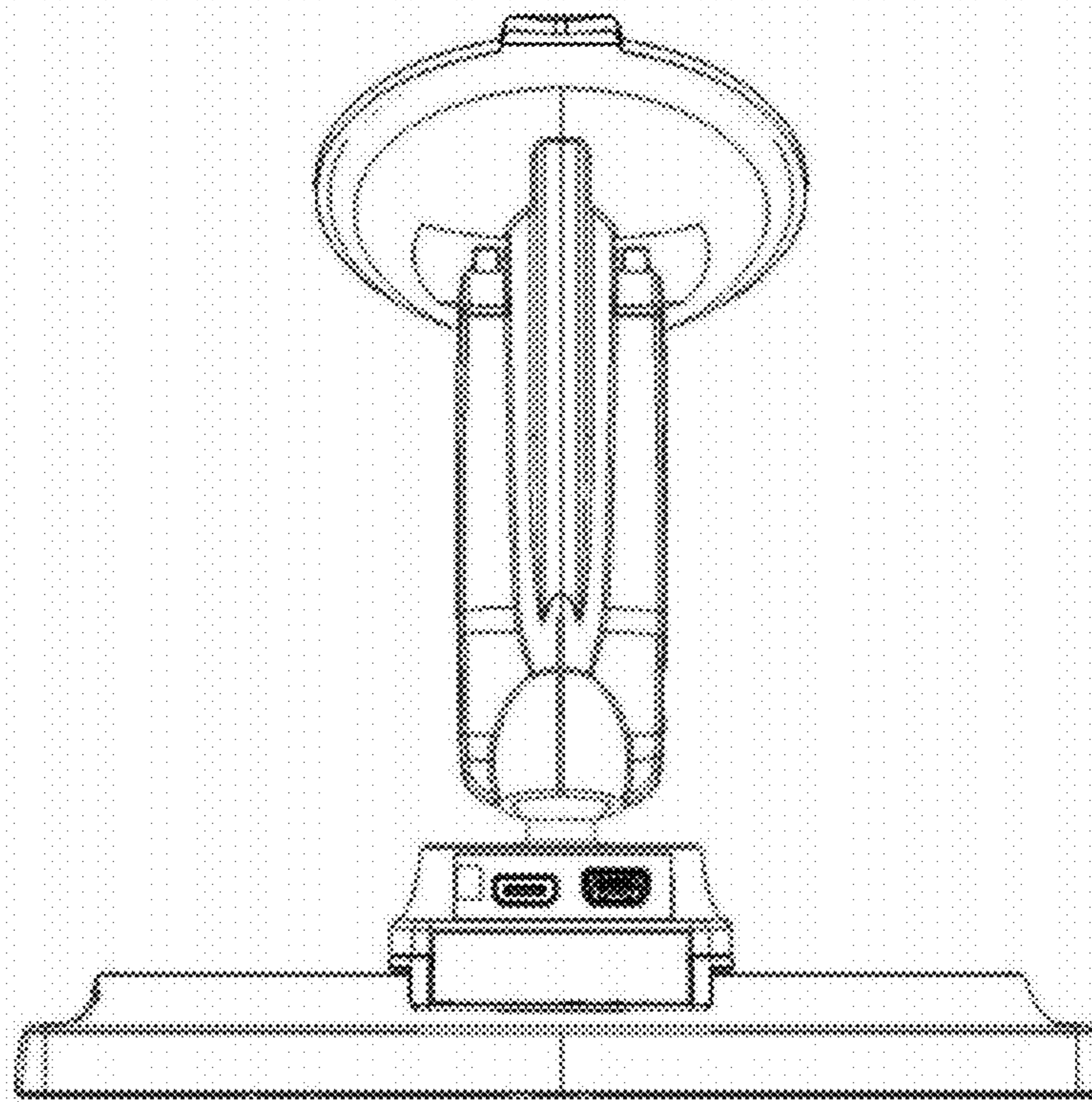


Fig. 6

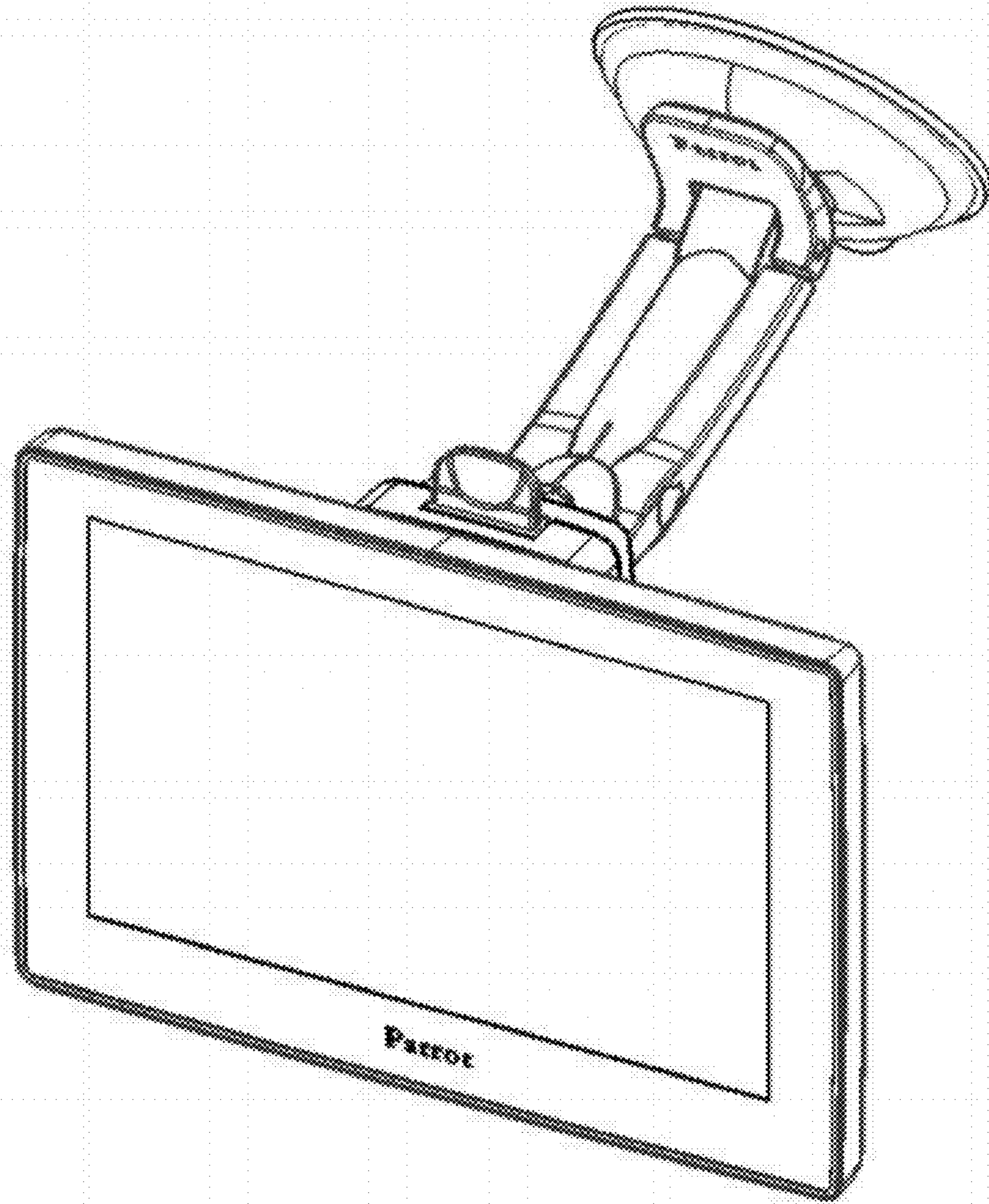


Fig. 7