



US00D673536S

(12) **United States Design Patent**  
**Meiners et al.**

(10) **Patent No.:** **US D673,536 S**  
(45) **Date of Patent:** **\*\* Jan. 1, 2013**

(54) **SATELLITE MOUNTING POLE**  
(75) Inventors: **Mark J. Meiners**, Chesterfield County, MO (US); **Carl J. Meiners**, Ballwin County, MO (US); **Robert S. Meiners**, Chesterfield County, MO (US)

5,330,075 A \* 7/1994 Brown, Sr. .... 222/82  
D583,486 S \* 12/2008 Kelley ..... D25/122  
7,955,147 B1 \* 6/2011 Legrady et al. .... 439/877  
2006/0147313 A1 \* 7/2006 Zengerle et al. .... 417/53

\* cited by examiner

(73) Assignee: **Tubular USA, Inc.**, Weldon Spring, MO (US)

*Primary Examiner* — John Windmuller  
(74) *Attorney, Agent, or Firm* — Paul M. Denk

(\*\*) Term: **14 Years**

(57) **CLAIM**  
We claim the ornamental design for a satellite mounting pole, as shown and described.

(21) Appl. No.: **29/370,338**

**DESCRIPTION**

(22) Filed: **Jul. 2, 2010**

(51) **LOC (9) Cl.** ..... **14-03**

(52) **U.S. Cl.** ..... **D14/238**

(58) **Field of Classification Search** ..... D14/230–238, D14/354, 299, 358; D6/495; D16/242; 343/700 R, 343/878–892; 455/561; D8/354; 362/396, 362/401, 441; D26/138, 142, 145  
See application file for complete search history.

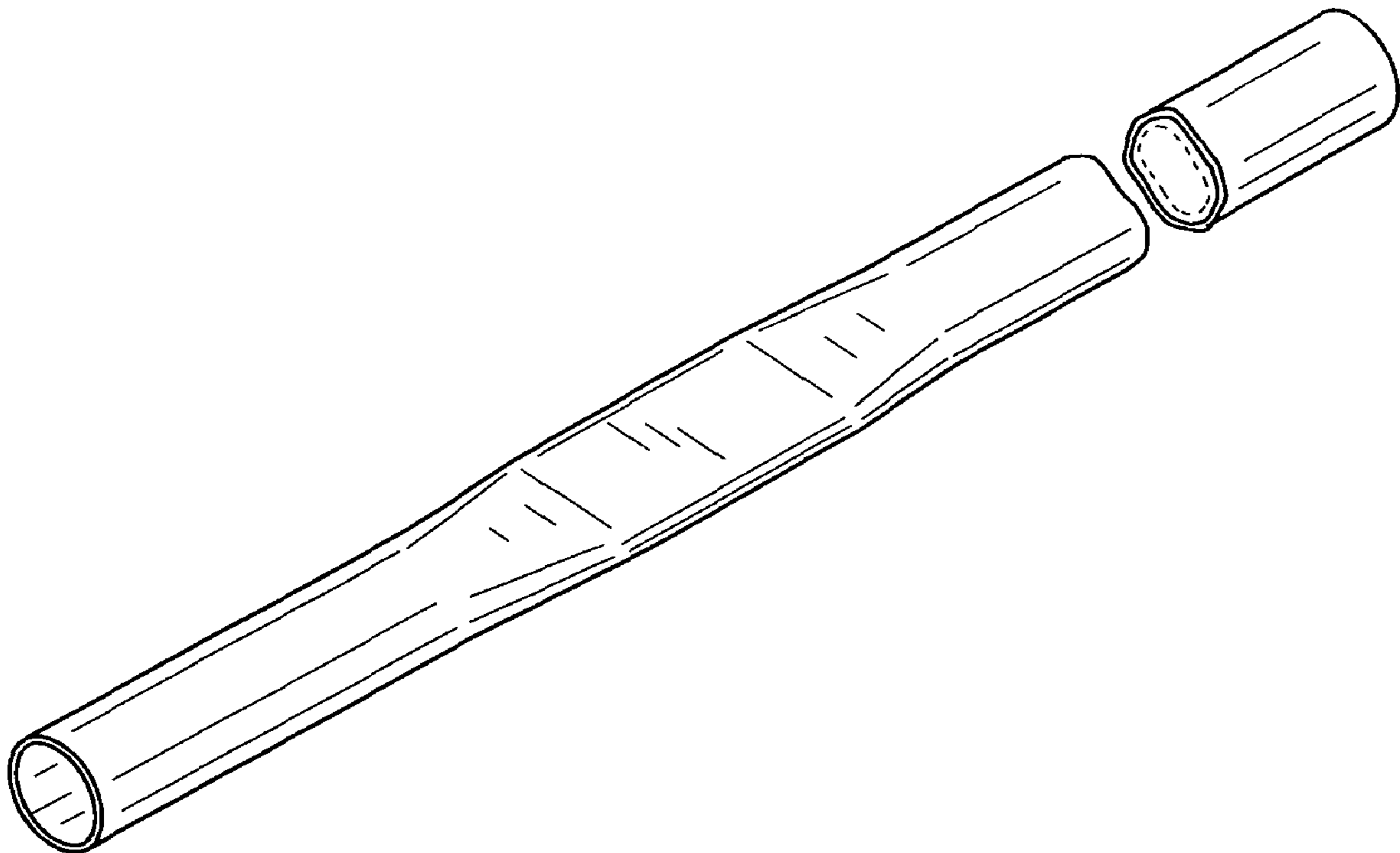
FIG. 1 is an isometric view of the satellite mounting pole of this invention, the hidden line on the right end of the pole indicates the interior is not part of the invention; FIG. 2 is a side view thereof, the opposite side view being a mirror image thereof; FIG. 3 is a front view; FIG. 4 is a back view; FIG. 5 is a top view, with the broken lines internally thereof not forming a part of the invention; and, FIG. 6 is a bottom view, with the internal broken lines not forming a part of the invention. The satellite mounting pole is shown broken away to indicate that no particular length is claimed beyond what is shown.

(56) **References Cited**

**U.S. PATENT DOCUMENTS**

3,200,554 A \* 8/1965 Goodman et al. .... 52/832  
D234,596 S \* 3/1975 Sixt ..... D23/262  
4,005,657 A \* 2/1977 Rothman ..... 102/353  
4,949,862 A \* 8/1990 Barbarits et al. .... 220/89.2

**1 Claim, 1 Drawing Sheet**



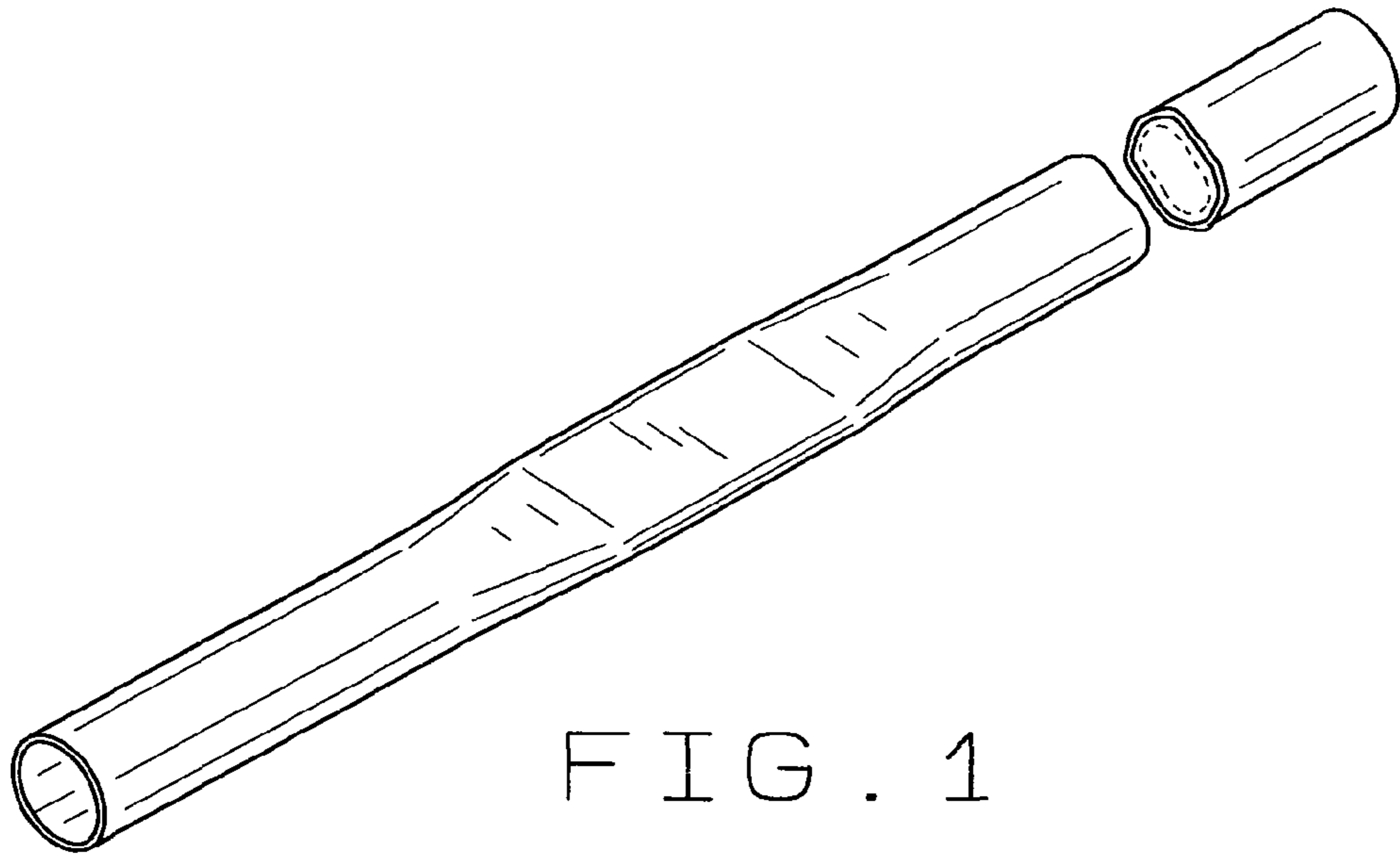


FIG. 1

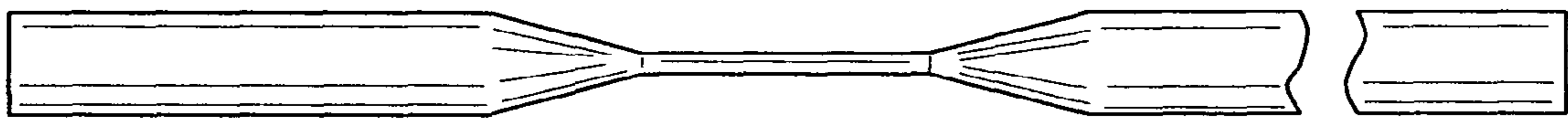


FIG. 2

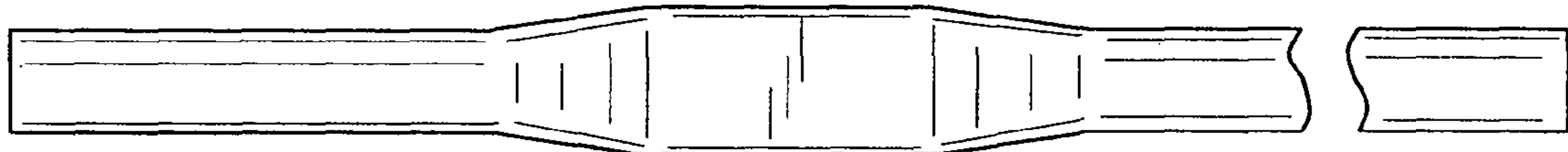


FIG. 3



FIG. 4

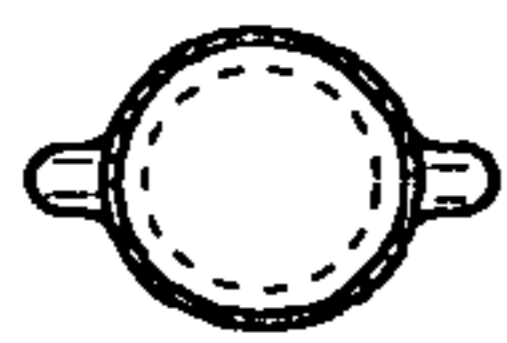


FIG. 5

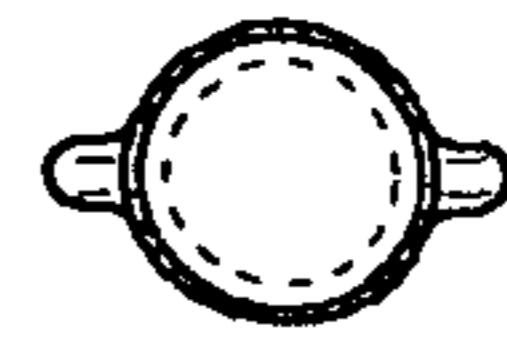


FIG. 6