



US00D673535S

(12) **United States Design Patent**  
**Ko et al.**

(10) **Patent No.:** **US D673,535 S**

(45) **Date of Patent:** **\*\* Jan. 1, 2013**

(54) **MULTI-BAND ANTENNA**

(75) Inventors: **Ching-Hsiang Ko**, New Taipei (TW);  
**Jia-Hung Su**, New Taipei (TW); **Kai Shih**, New Taipei (TW)

(73) Assignee: **Cheng Uei Precision Industry Co., Ltd.**, New Taipei (TW)

(\*\*) Term: **14 Years**

(21) Appl. No.: **29/423,669**

(22) Filed: **Jun. 4, 2012**

(51) **LOC (9) Cl.** ..... **14-03**

(52) **U.S. Cl.** ..... **D14/230**

(58) **Field of Classification Search** ..... D14/138,  
D14/230-238, 299, 358; D12/42, 43; 343/700 MS,  
343/700 R-705, 711-713, 735, 736, 741,  
343/748, 767, 795, 819, 840, 846, 866, 871-908;  
455/90.2, 90.3, 91, 128, 269, 344, 347, 562.1;  
333/193, 195

See application file for complete search history.

(56) **References Cited**

**U.S. PATENT DOCUMENTS**

D612,368 S *	3/2010	Yang et al.	.....	D14/230
D633,483 S *	3/2011	Su et al.	.....	D14/230
D649,534 S *	11/2011	Mi et al.	.....	D14/230
D659,688 S *	5/2012	Huang et al.	.....	D14/230
2009/0284432 A1 *	11/2009	Cozzolino et al.	.....	343/821
2010/0013715 A1 *	1/2010	Yu et al.	.....	343/700 MS
2011/0187603 A1 *	8/2011	Komaki et al.	.....	343/700 MS

2012/0105291 A1 *	5/2012	Tu	.....	343/749
2012/0112966 A1 *	5/2012	Tayama et al.	.....	343/700 MS
2012/0139794 A1 *	6/2012	Su et al.	.....	343/700 MS
2012/0139796 A1 *	6/2012	Park et al.	.....	343/700 MS
2012/0139797 A1 *	6/2012	Fukuda	.....	343/700 MS
2012/0146875 A1 *	6/2012	Ali et al.	.....	343/848
2012/0162022 A1 *	6/2012	Wei	.....	343/700 MS
2012/0176273 A1 *	7/2012	Yu et al.	.....	343/700 MS
2012/0182186 A1 *	7/2012	Yang et al.	.....	343/700 MS
2012/0188130 A1 *	7/2012	Cho	.....	343/700 MS
2012/0188144 A1 *	7/2012	Chen et al.	.....	343/893
2012/0200461 A1 *	8/2012	Lee	.....	343/700 MS
2012/0229342 A1 *	9/2012	Maeda et al.	.....	343/700 MS

\* cited by examiner

*Primary Examiner* — John Windmuller

(74) *Attorney, Agent, or Firm* — WPAT, P.C.; Anthony King

(57) **CLAIM**

The ornamental design for a multi-band antenna, as shown and described.

**DESCRIPTION**

FIG. 1 is a perspective view of a multi-band antenna showing our new design;

FIG. 2 is a front elevational view thereof;

FIG. 3 is a rear elevational view thereof;

FIG. 4 is a left side elevational view thereof;

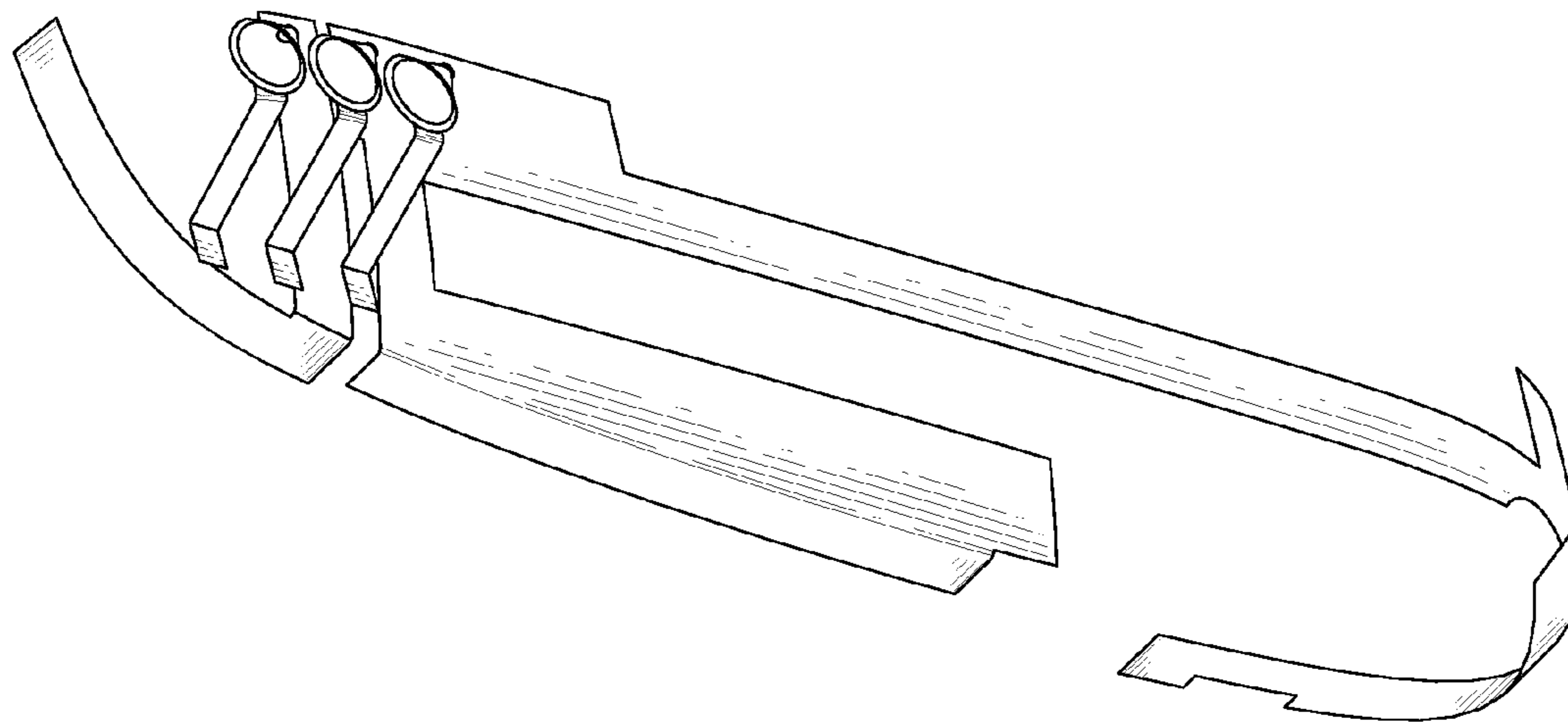
FIG. 5 is a right side elevational view thereof;

FIG. 6 is a top plan view thereof;

FIG. 7 is a bottom plan view thereof; and,

FIG. 8 is another perspective view of the multi-band antenna showing our new design.

**1 Claim, 8 Drawing Sheets**



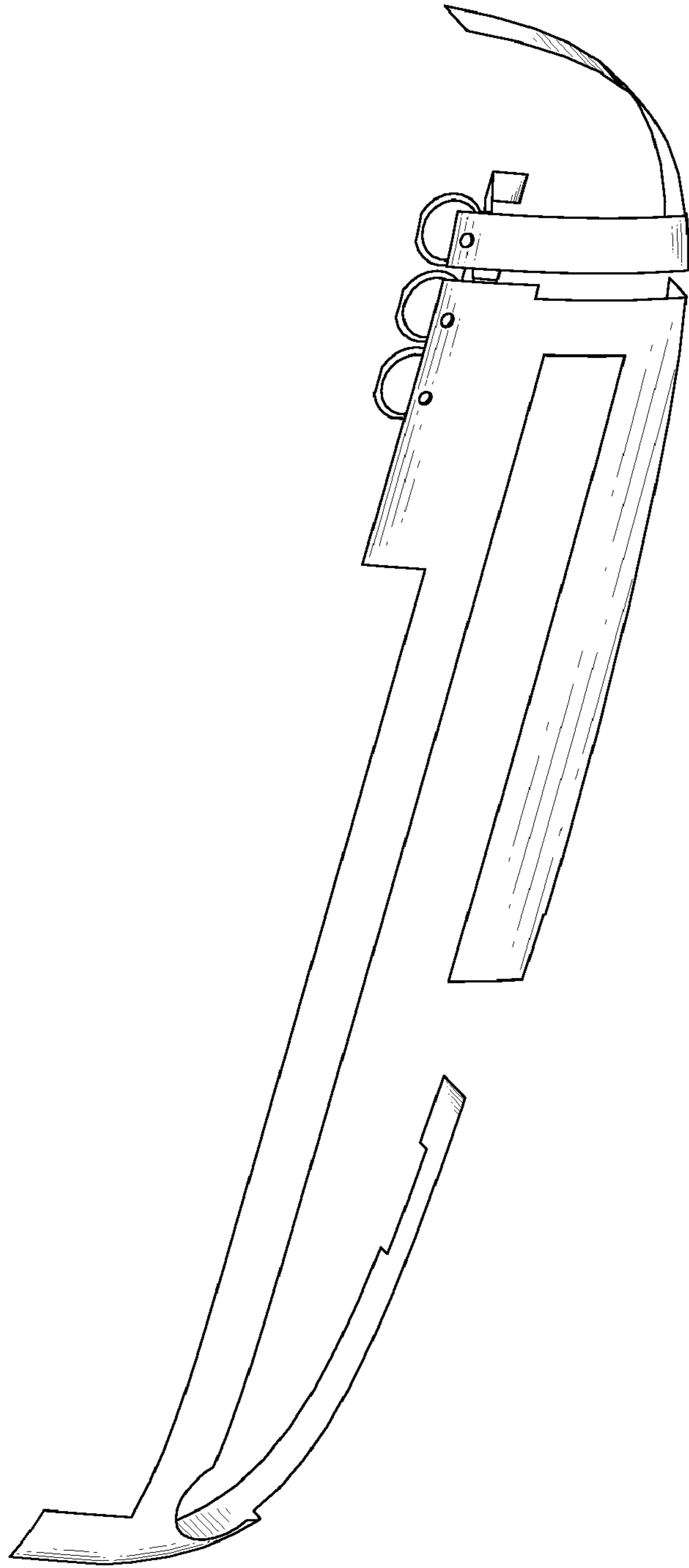


FIG. 1

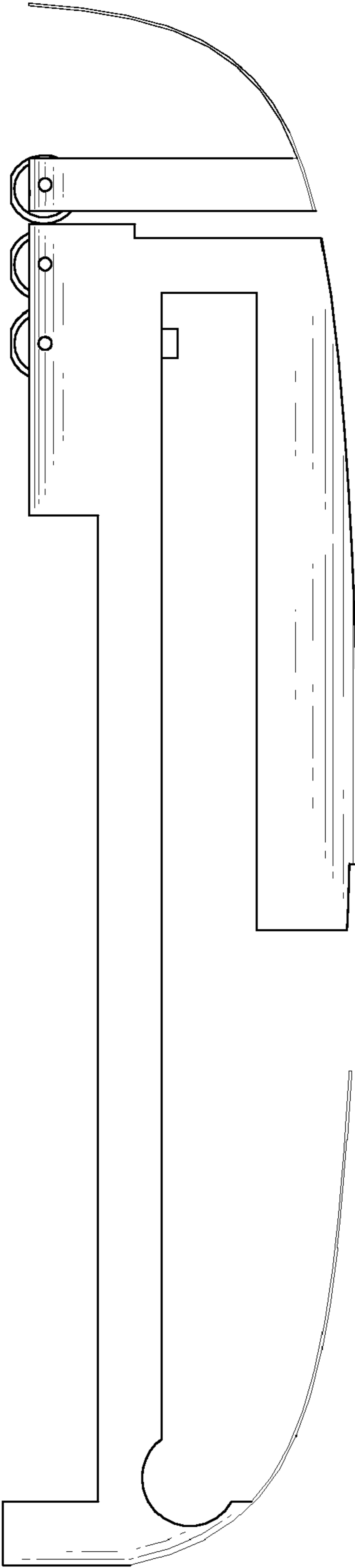


FIG. 2

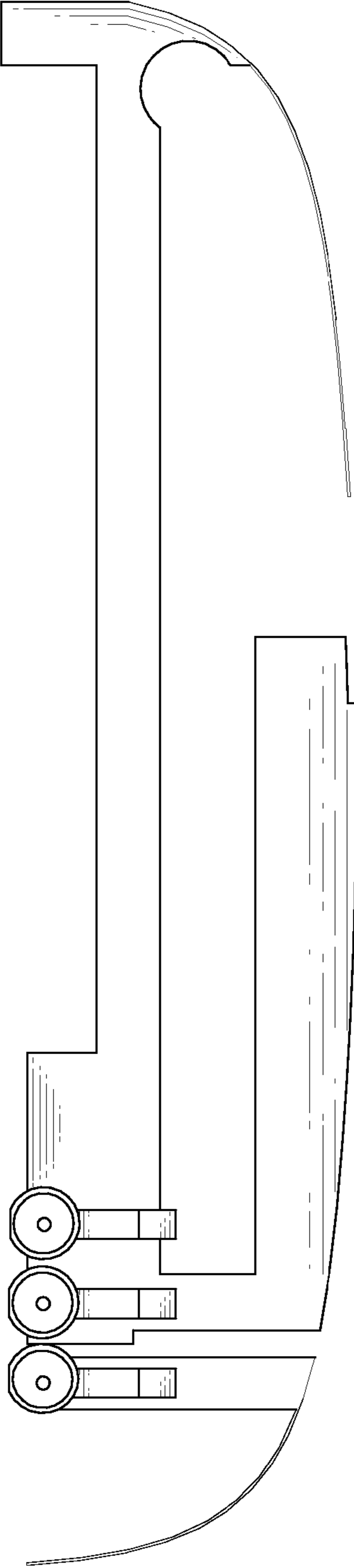


FIG. 3

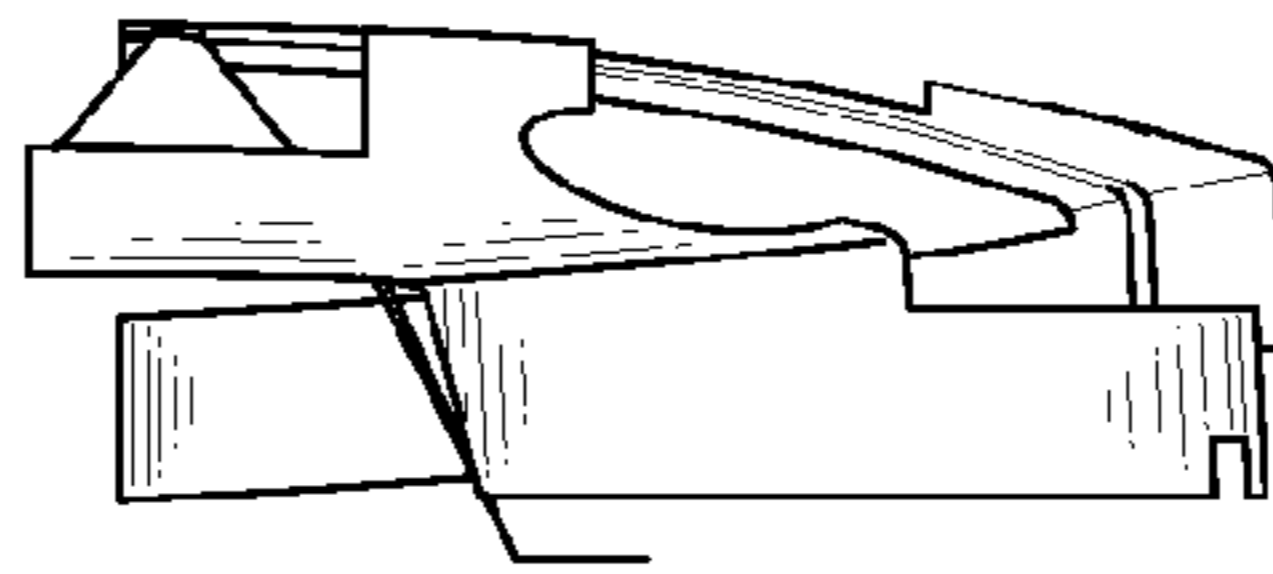


FIG. 4

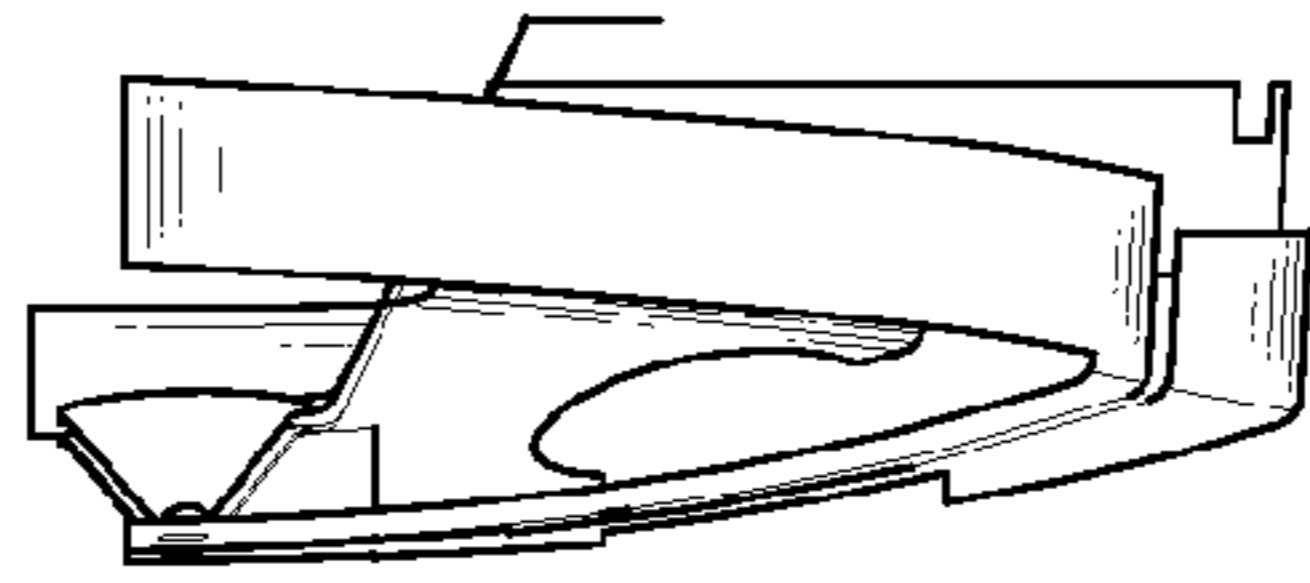


FIG. 5

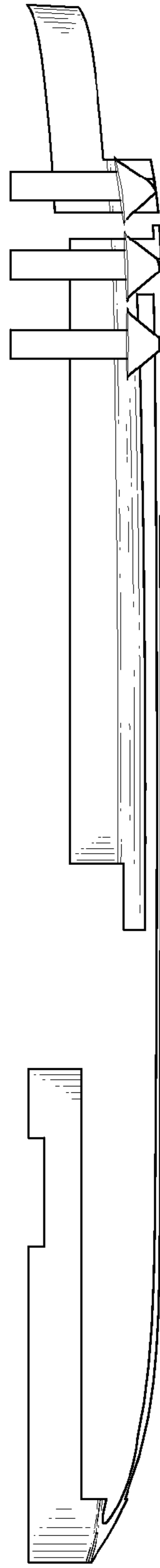


FIG. 6

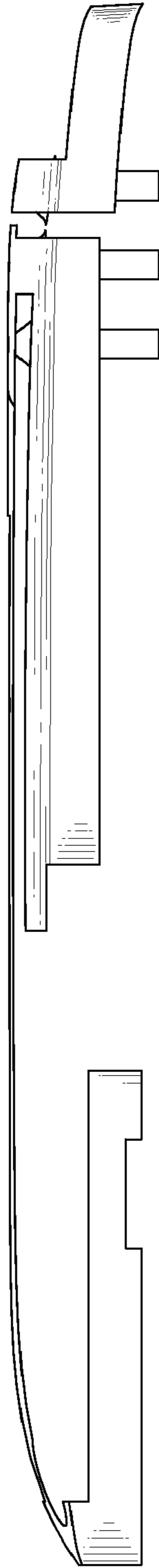


FIG. 7



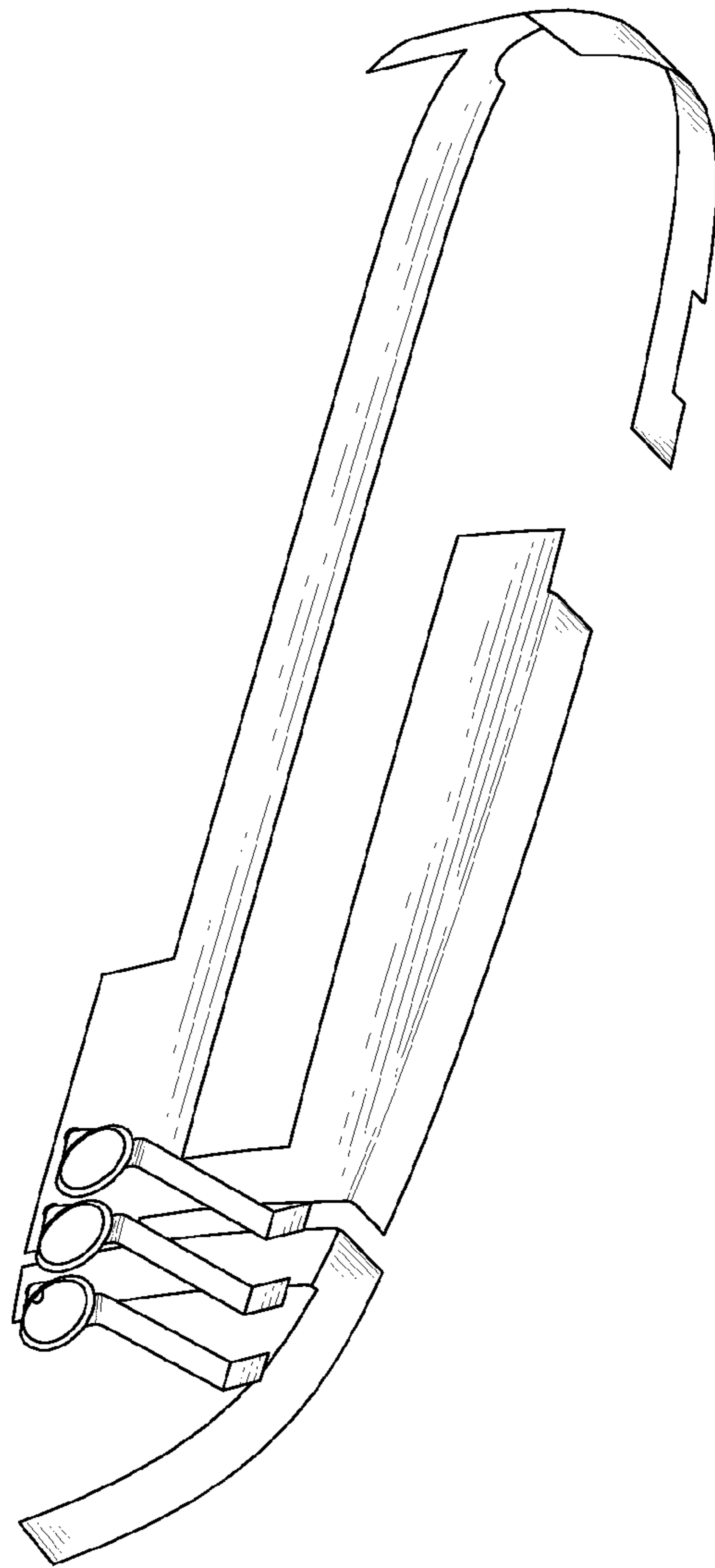


FIG. 8